

SPLIT SYSTEM HEAT PUMP SCHEDULE																	
INDOOR SECTION TAG	OUTDOOR SECTION TAG	TYPE	SERVES	COOLING CAPACITY BTUH	SEER	HEATING CAPACITY BTUH (AT 17 DEG)	COP (AT 17 DEG)	INDOOR SECTION				OUTDOOR SECTION			NOTES:		
								CFM (DRY) HI-SPEED	FAN FLA	V/PH/Hz	WEIGHT (LBS)	MCA	MOCP	V/PH/Hz		INDOOR SECTION MODEL NO.	OUTDOOR SECTION MODEL NO.
FCU-1	CU-1	DUCTED	ELEVATOR SHAFT	12,000	21.1	8,700	2.31	494	1.2	24 V	93	11	28	208 / 1	MITSUBISHI PEAD-A12AA7	MITSUBISHI PUZ-A12NKA7	1, 2, 3

NOTES:  
 1. PROVIDE OUTDOOR UNIT WITH 24" SNOW STAND, 3-POLE DISCONNECT, AND ADVANCED WIND BAFFLES. INSTALL AND PIPE UNITS PER MANUFACTURER INSTRUCTIONS AND RECOMMENDATIONS.  
 2. PROVIDE INDOOR UNIT WITH PAC-YT53CRAU WIRED THERMOSTAT AND PAC-SE41TSE REMOTE SENSOR.  
 3. UNIT TO BE PROVIDED WITH INTERNAL LIFT MECHANISM

CABINET UNIT HEATER SCHEDULE												
TAG	LOCATION	CFM	EWT	LWT	MBH	GPM	MOTOR DATA				TYPICAL UNIT MFG. & MODEL NO.	REMARKS
							WATTS	V	PH	HZ		
CUH-1	MENS ROOM	240	180	160	15.9	1.1	60	120	1	60	TRANE FORCE FLOW VERTICAL CABINET 02	1, 2
CUH-2	WOMENS ROOM	240	180	160	15.9	1.1	60	120	1	60	TRANE FORCE FLOW VERTICAL CABINET 02	1, 2

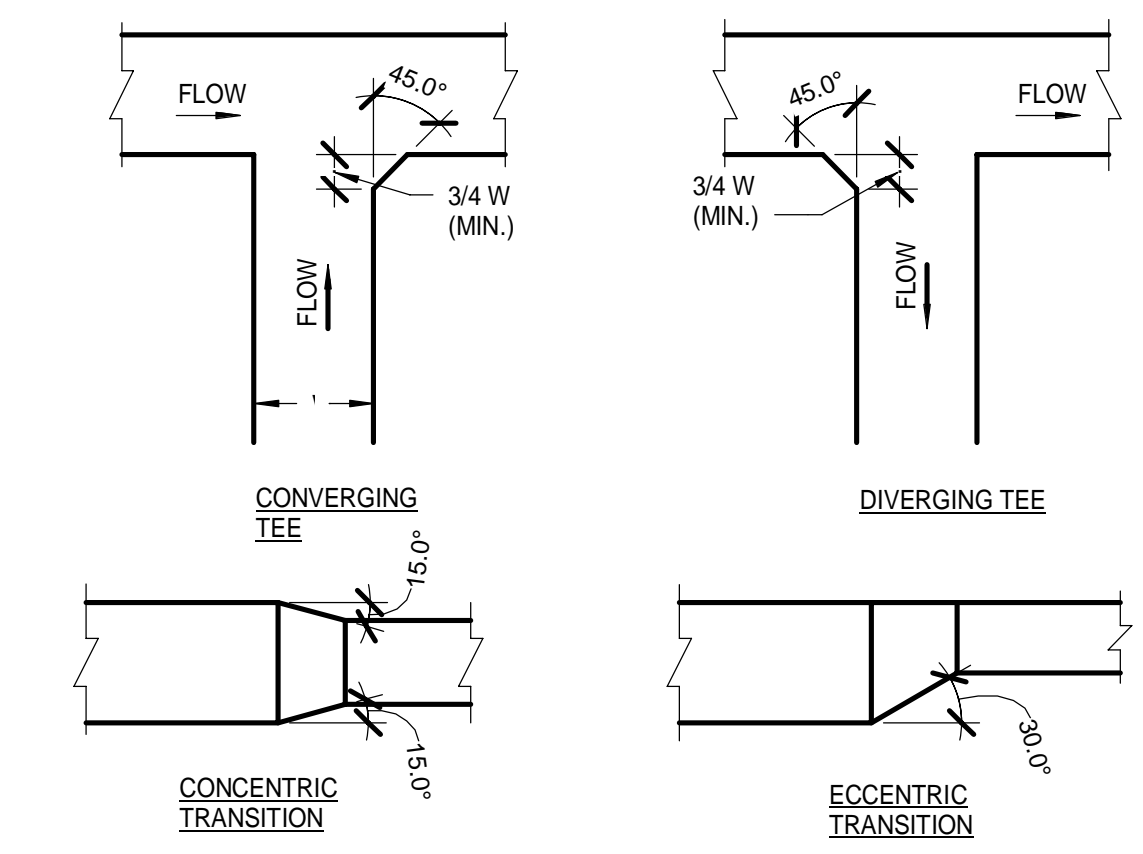
NOTES:  
 1. FOR BIDDING PURPOSES ONLY. EXACT MAKE, MODEL TO BE FIELD VERIFIED. INTENT IS TO REPLACE IN-KIND  
 2. PROVIDE WITH TOP OUTLET, 1" PLEATED THROWAWAY FILTERS, DISCONNECT SWITCH, KEYLOCK PANEL AND ACCESS DOORS.

REGISTER, DIFFUSER & GRILL SCHEDULE							
TAG	MAX CFM	NECK SIZE	TYPE	DIFF. PRESSURE	MAX NC	TYPICAL UNIT MFG & MODEL NO.	NOTES
E-1	325	12"X12"	LAY-IN	0.08	<20	PRICE 630	1
T-1	2000	12"X60"	FLOOR GRILLE	0.08	22	PRICE LBPB 25C	2

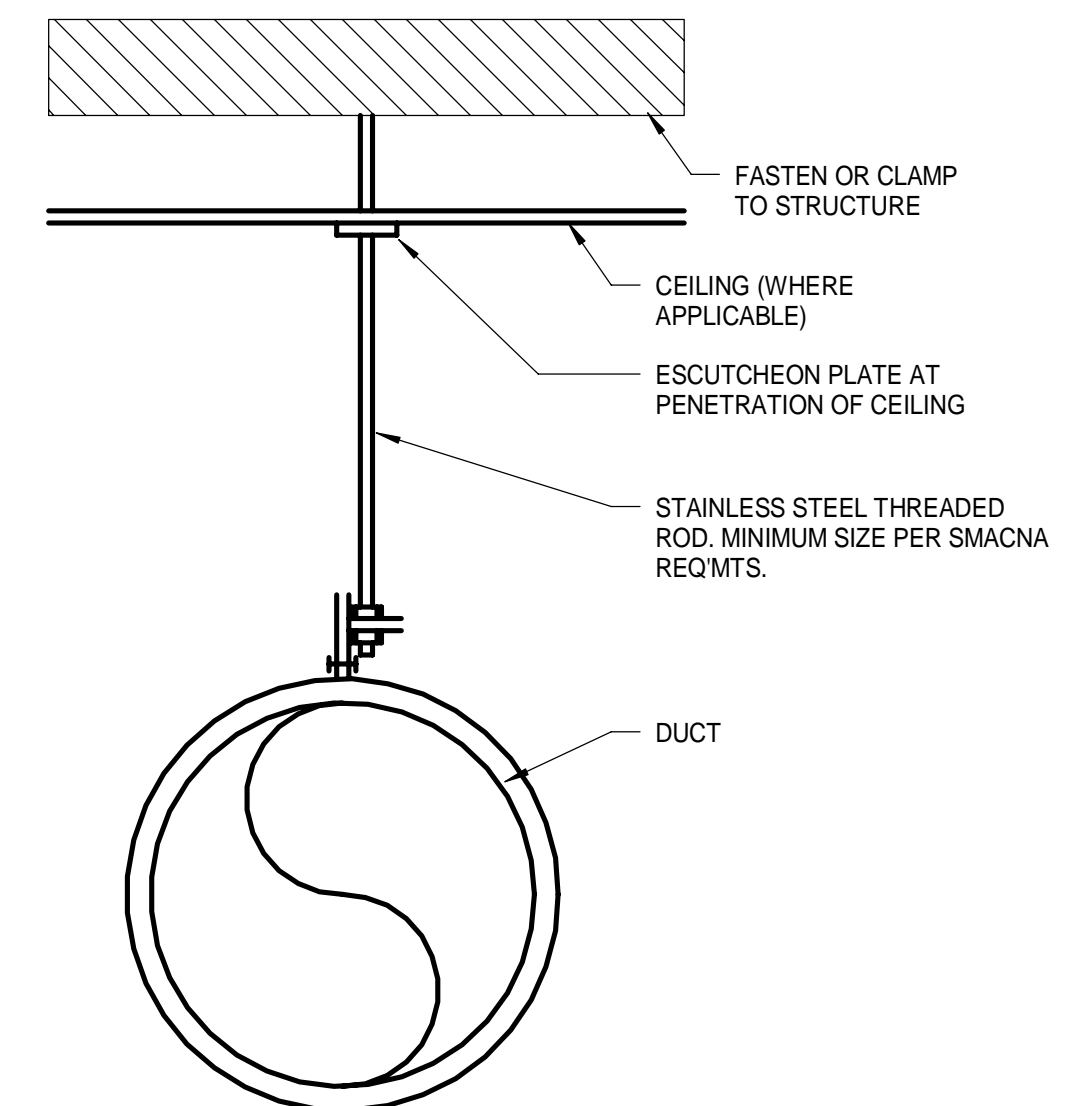
NOTES:  
 1. PROVIDE BORDER FOR LAY-IN CEILING INSTALLATION, 24x24 CEILING GRID.  
 2. PROVIDE WITH 1/2" FLANGED BORDER. UNITS TO BE INSTALLED IN FLOOR (RE: ARCH).

**GENERAL NOTES**

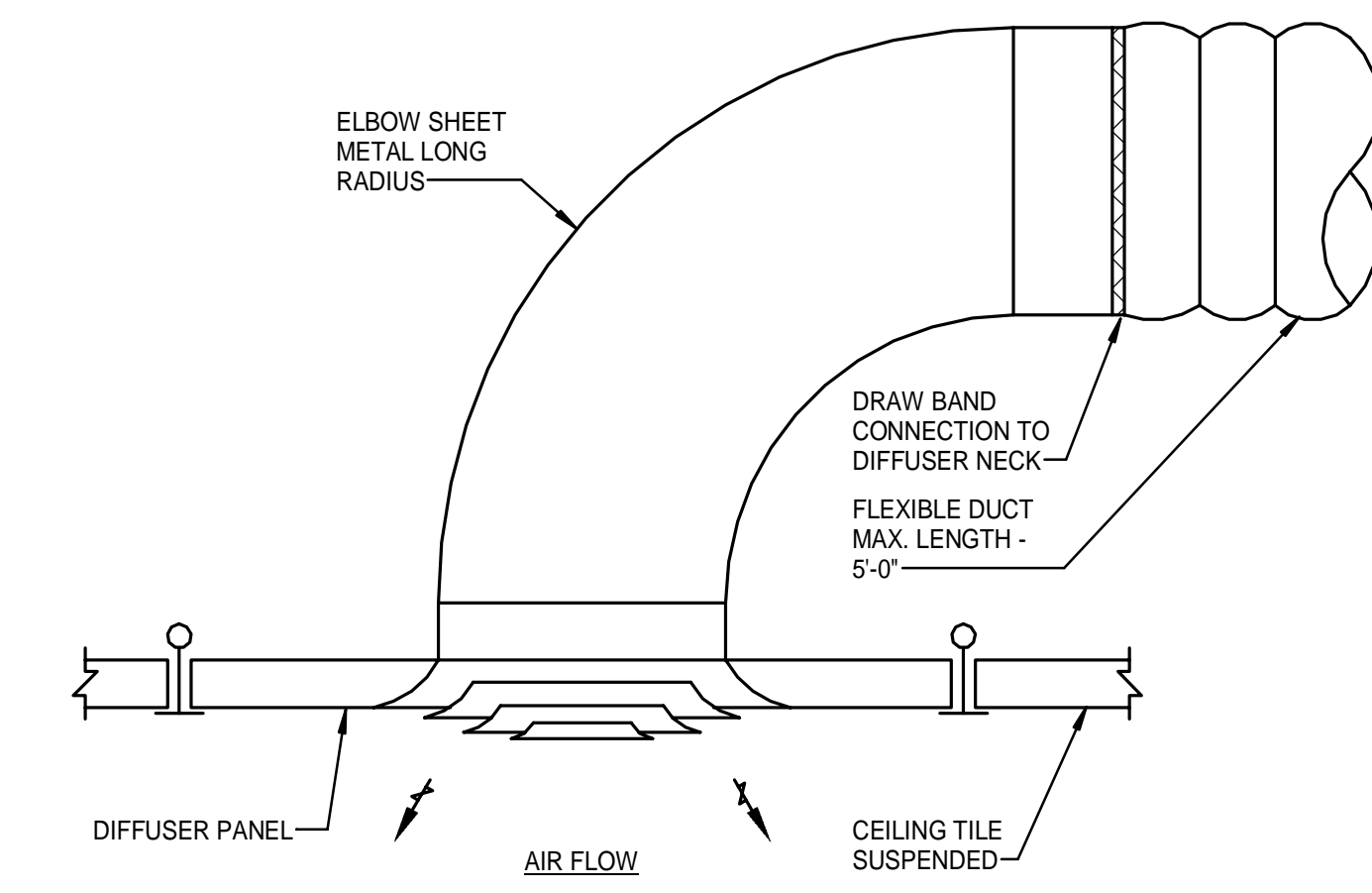
1. SEE SHEET M-001 FOR LEGEND AND ABBREVIATIONS.



3 DUCT TRANSITION  
NOT TO SCALE



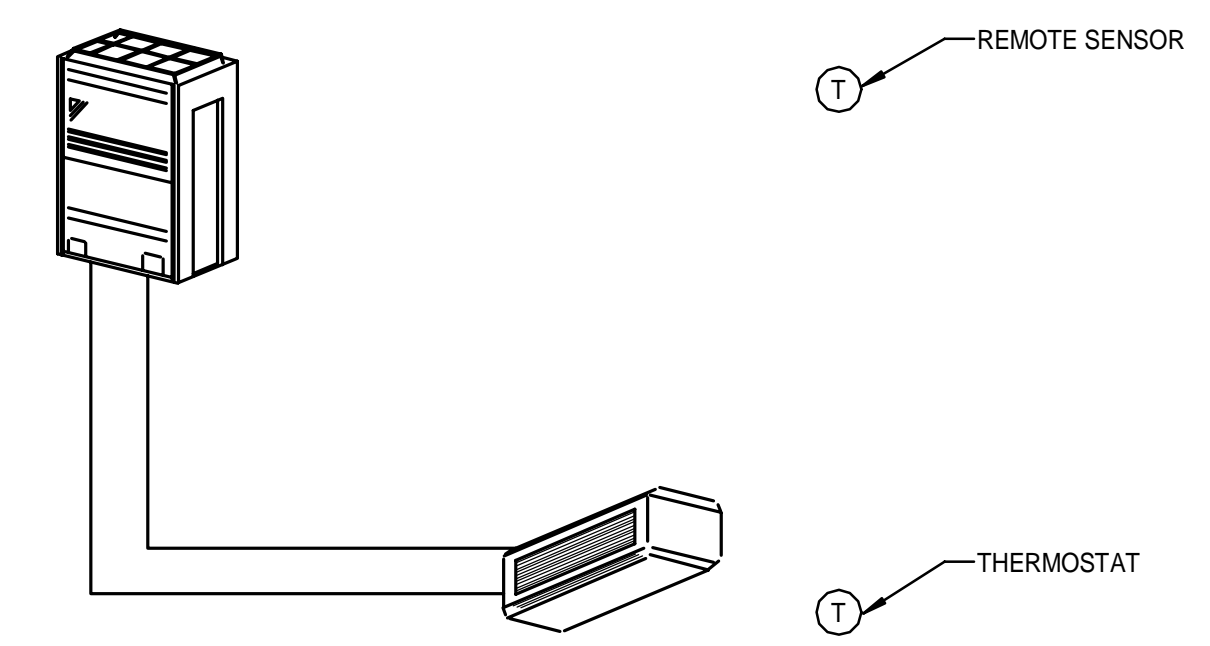
5 DUCT HANGER  
NOT TO SCALE



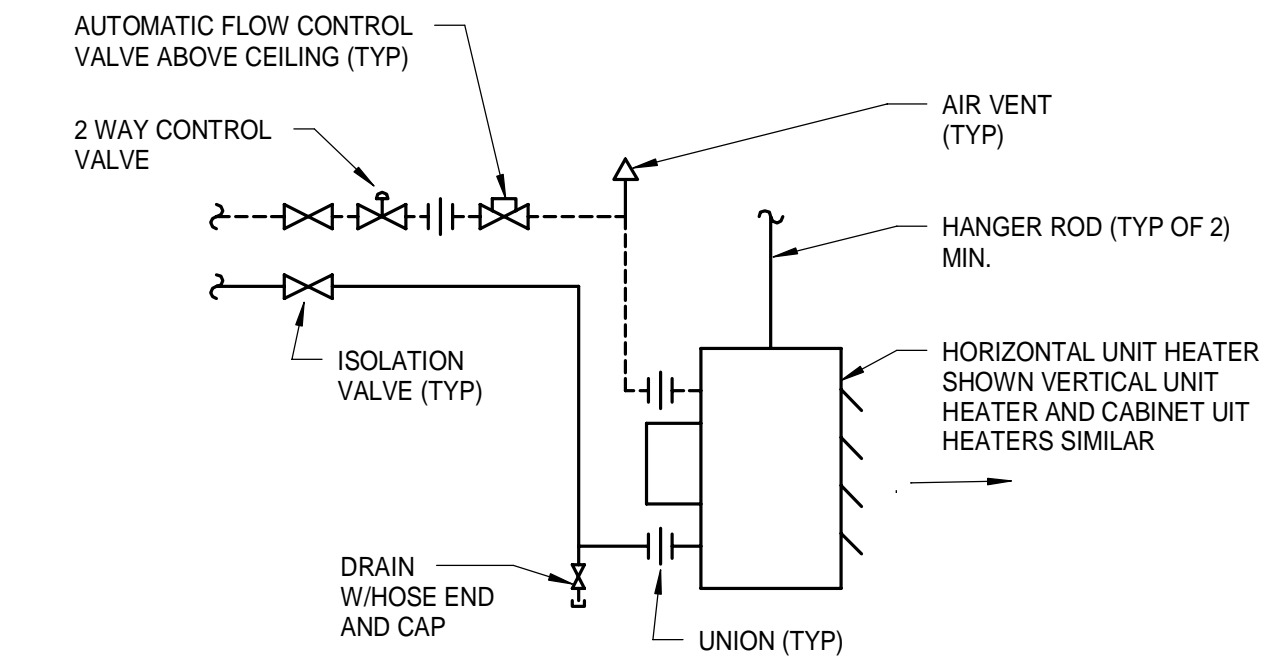
2 DIFFUSER CONNECTION DETAIL  
NOT TO SCALE

**SEQUENCE OF OPERATION - SPLIT SYSTEM**

- SPLIT SYSTEM AIR CONDITIONING UNIT
- A SPACE MOUNTED THERMOSTAT SHALL CYCLE THE UNIT TO MAINTAIN SPACE TEMPERATURE SETPOINT BASE ON TEMPERATURE READINGS FROM REMOTE SENSOR.
  - THE UNIT SHALL OPERATE TO MAINTAIN A SPACE TEMPERATURE AS DETERMINED BY A REMOTE SENSOR MOUNTED AT THE TOP OF THE ELEVATOR SHAFT BELOW 85 DEG F.
  - SPACE TEMPERATURE AND SYSTEM STATUS TO BE MONITORED THROUGH DDC SYSTEM.



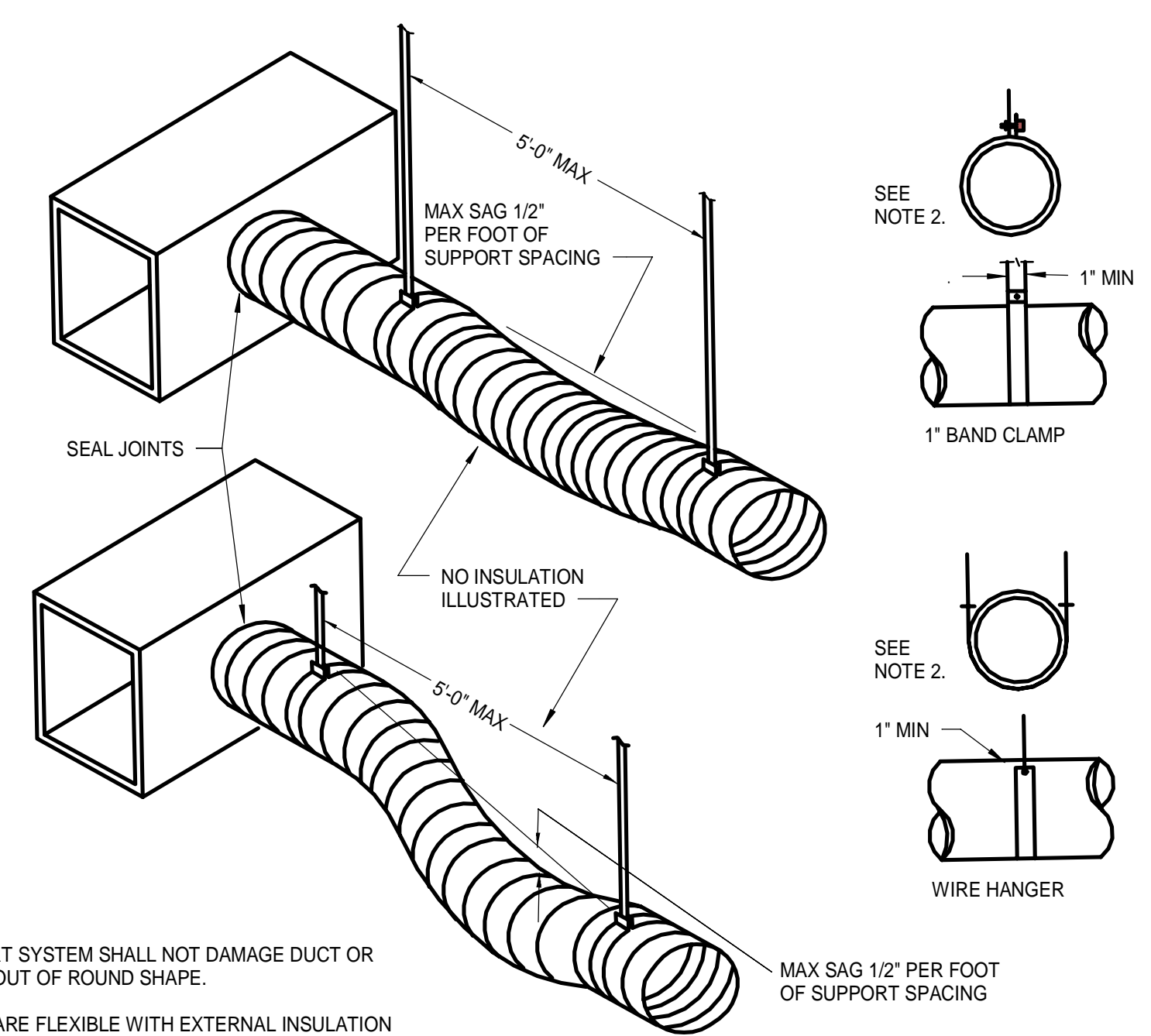
6 SPLIT SYSTEM PIPING SCHEMATIC AND SEQUENCE OF OPERATION  
NOT TO SCALE



**SEQUENCE OF OPERATION - UNIT HEATER**

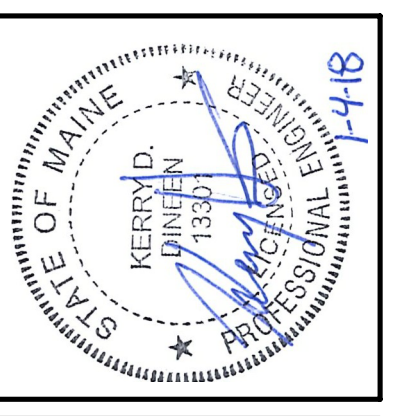
- UPON A DROP IN TEMPERATURE BELOW SETPOINT, AS SENSED BY LOCAL OR FACTORY MOUNTED THERMOSTAT, THE UNIT HEATER HOT WATER COIL CONTROL VALVE SHALL OPEN AND THE FAN SHALL BE ENERGIZED UNTIL SPACE TEMPERATURE SETPOINT IS SATISFIED.
- STRAP-ON AQUASTAT ON THE RETURN WATER PIPE SHALL PREVENT THE OPERATION OF THE FAN UNLESS HOT WATER OF ADEQUATE TEMPERATURE (140 DEG F) IS AVAILABLE.
- SPACE TEMPERATURE TO BE MONITORED ON DDC SYSTEM.

4 UNIT HEATER SCHEMATIC AND SEQUENCE OF OPERATION  
NOT TO SCALE



- NOTES:
- SUPPORT SYSTEM SHALL NOT DAMAGE DUCT OR CAUSE OUT OF ROUND SHAPE.
  - DUCTS ARE FLEXIBLE WITH EXTERNAL INSULATION AND VAPOR BARRIER JACKETING.
  - MIN. CENTER LINE BEND RADIUS IS ONE DIA. (OR INSIDE RADIUS OF D/2)

1 STRAIGHT SECTION FLEXIBLE DUCT SUPPORT REQUIREMENTS  
NOT TO SCALE



ARCHITECTURE 144 Fore Street P.O. Box 618  
 Portland, Maine 04104  
 Tel: (207) 775-3646  
 Fax: (207) 775-1070  
 www.smartinc.com

ENGINEERING  
 PLANNING  
 INTERIORS  
 ENERGY

SMART PROJECT NO. 17033  
 PROJECT MGR JC/DRAWN JC  
 A/E OF RECORD  
 DRG

REV.	DATE	BY	ISSUED FOR CONSTRUCTION
0	12/21/17		STATUS: 12/21/17

THIS PLAN SHALL NOT BE MODIFIED WITHOUT WRITTEN PERMISSION FROM SEBAGO TECHNICS, INC.  
 USER'S LIABILITY AND WITHOUT LIABILITY TO SEBAGO TECHNICS, INC.

**SEBAGO TECHNICS**  
 WWW.SEBAGOTECHNICS.COM  
 75 John Roberts Rd. - Suite 1A  
 South Portland, ME 04106  
 Phone: (207) 775-3646  
 Fax: (207) 775-1070

PROJECT NO. 17033  
 FIELD BOOK DESIGN CHKD DRAWN

MECHANICAL DETAILS, SCHEDULES AND SEQUENCE OF OPERATIONS  
 VERTICAL CIRCULATION IMPROVEMENTS  
 1001 WESTBROOK STREET  
 PORTLAND, MAINE 04102

DATE	SCALE
12/21/17	NOT TO SCALE

2.M-501