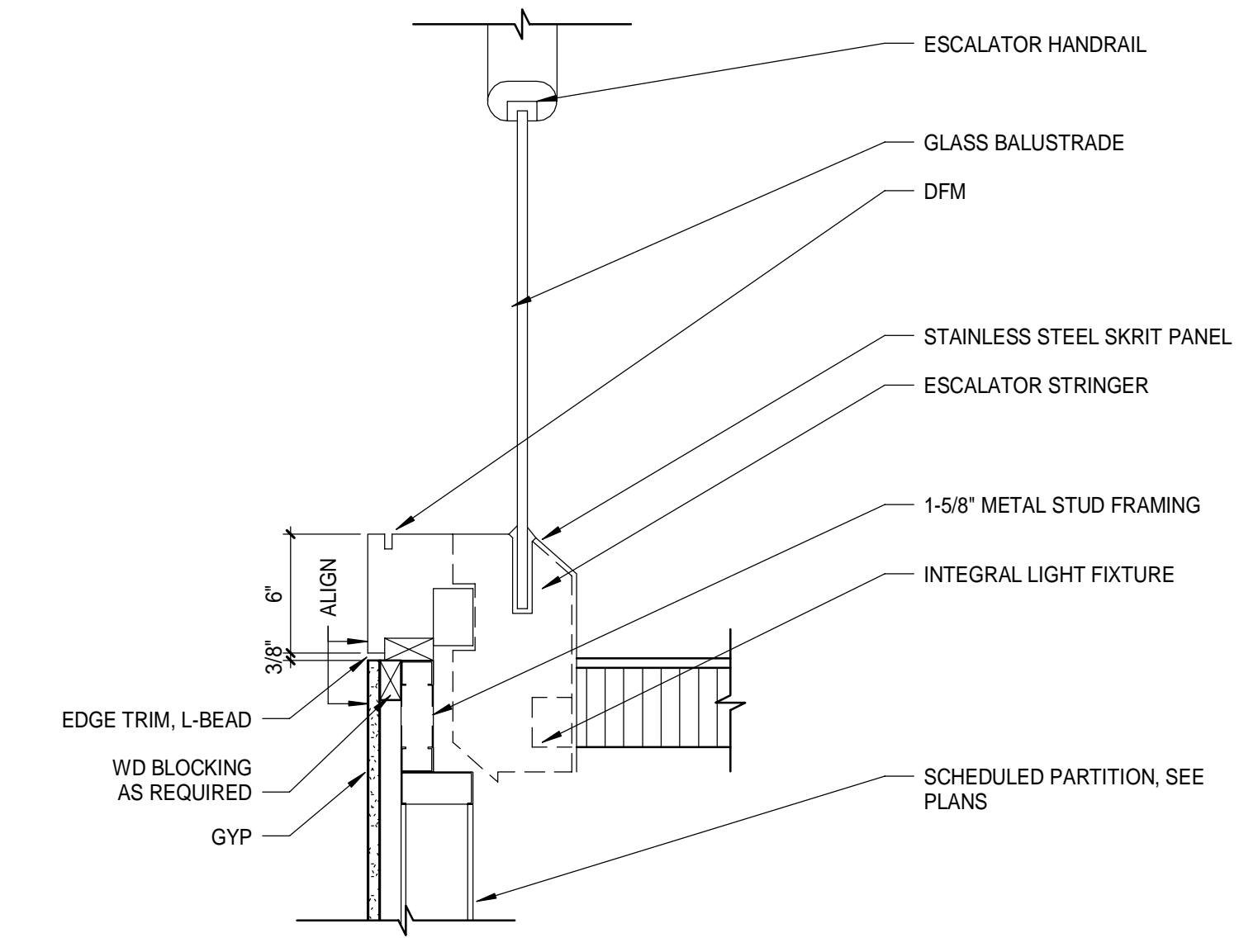
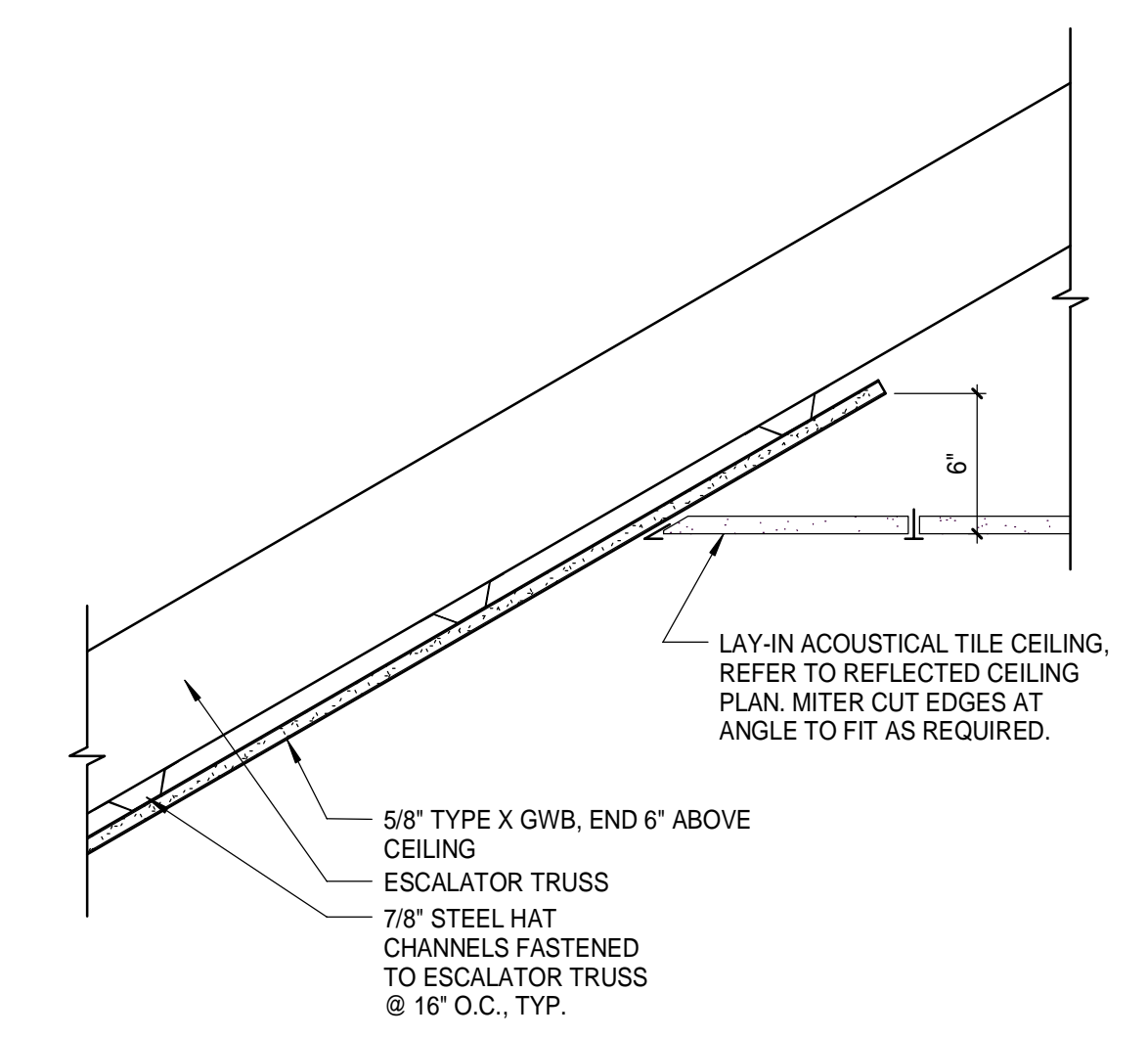


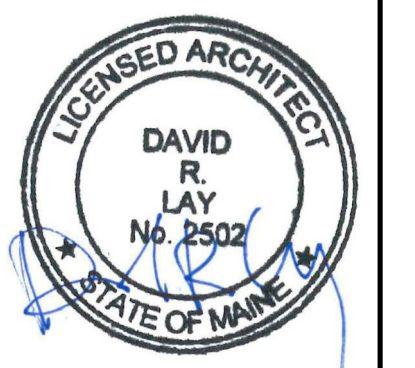
2 SECTION DETAIL - ESCALATOR RAILING AT LANDING  
1 1/2" = 1'-0"



1 SECTION DETAIL AT ESCALATOR RAILING  
1 1/2" = 1'-0"



4 SECTION DETAIL AT ESCALATOR BASE  
1 1/2" = 1'-0"



ARCHITECTURE 144 Fore Street P.O. Box 618  
Portland, Maine 04104  
Tel: (207) 772-3846  
Fax: (207) 772-1070  
www.srmtinc.com

**SMART**  
ENERGY

PROJECT NO. 17033  
PROJECT MGR. JCDRAWN  
Author  
DRL  
AE OF RECORD  
Checker

REV.	BY:	DATE:	ISSUED FOR CONSTRUCTION
0		12/21/17	STATUS: 12/21/17

THIS PLAN SHALL NOT BE MODIFIED WITHOUT WRITTEN PERMISSION FROM SEBAGO TECHNICS, INC. ALL CHANGES SHALL BE AT THE USER'S RISK AND WITHOUT LIABILITY TO SEBAGO TECHNICS, INC.

**SEBAGO**  
TECHNICS

WWW.SEBAGOTECHNICS.COM  
75 John Roberts Rd. - Suite 1A  
South Portland, ME 04106  
Tel: (207) 772-3846  
Fax: (207) 772-1070

PROJECT NO. | FIELD BOOK | DESIGN | CHKD | DRAWN

ESCALATOR DETAILS  
OF:  
PORTLAND INTERNATIONAL JETPORT  
VERTICAL CIRCULATION IMPROVEMENTS  
1001 WESTBROOK STREET  
PORTLAND, MAINE 04102

DATE	SCALE
12/21/17	1 1/2" = 1'-0"

2.AE535