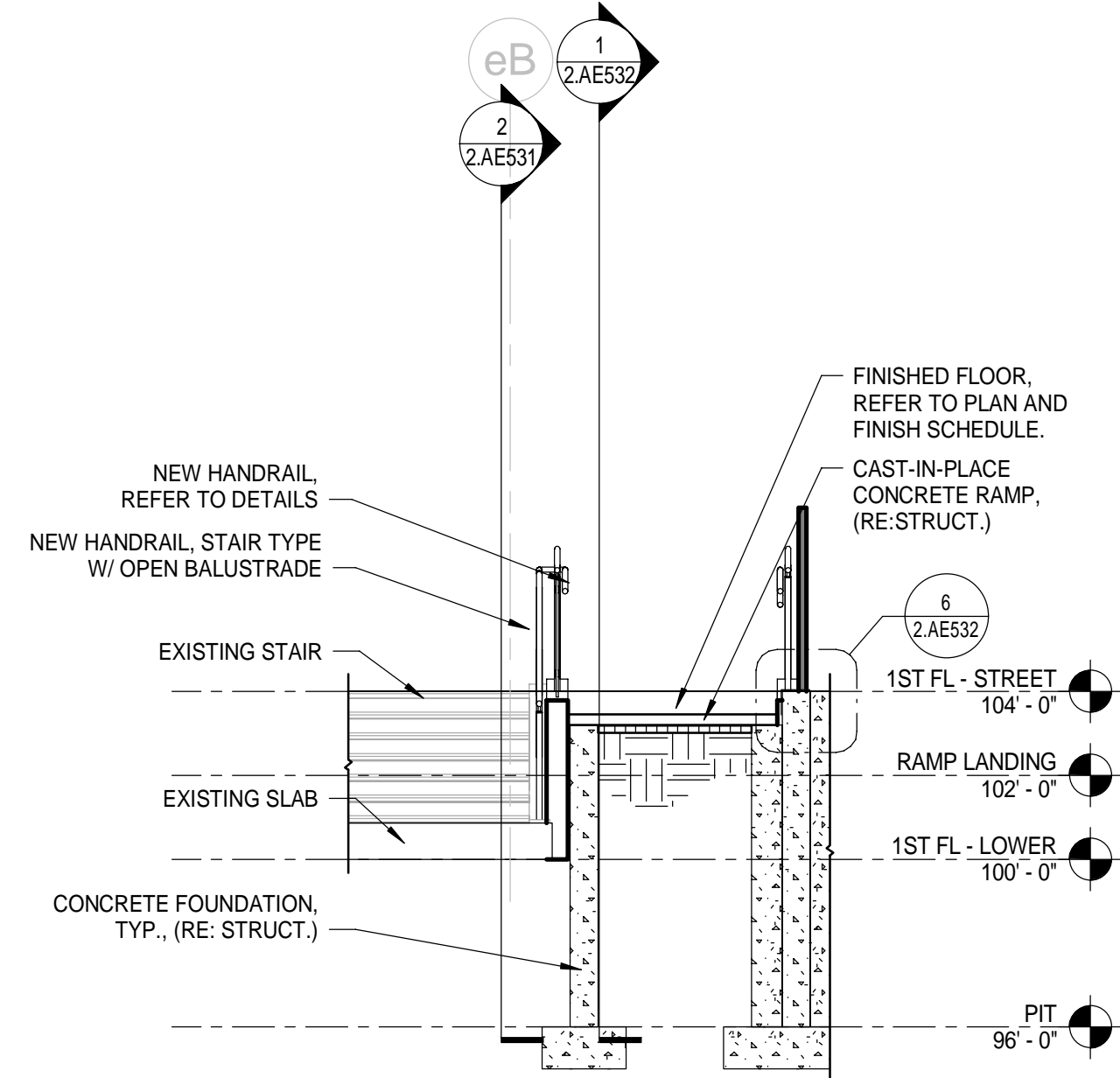
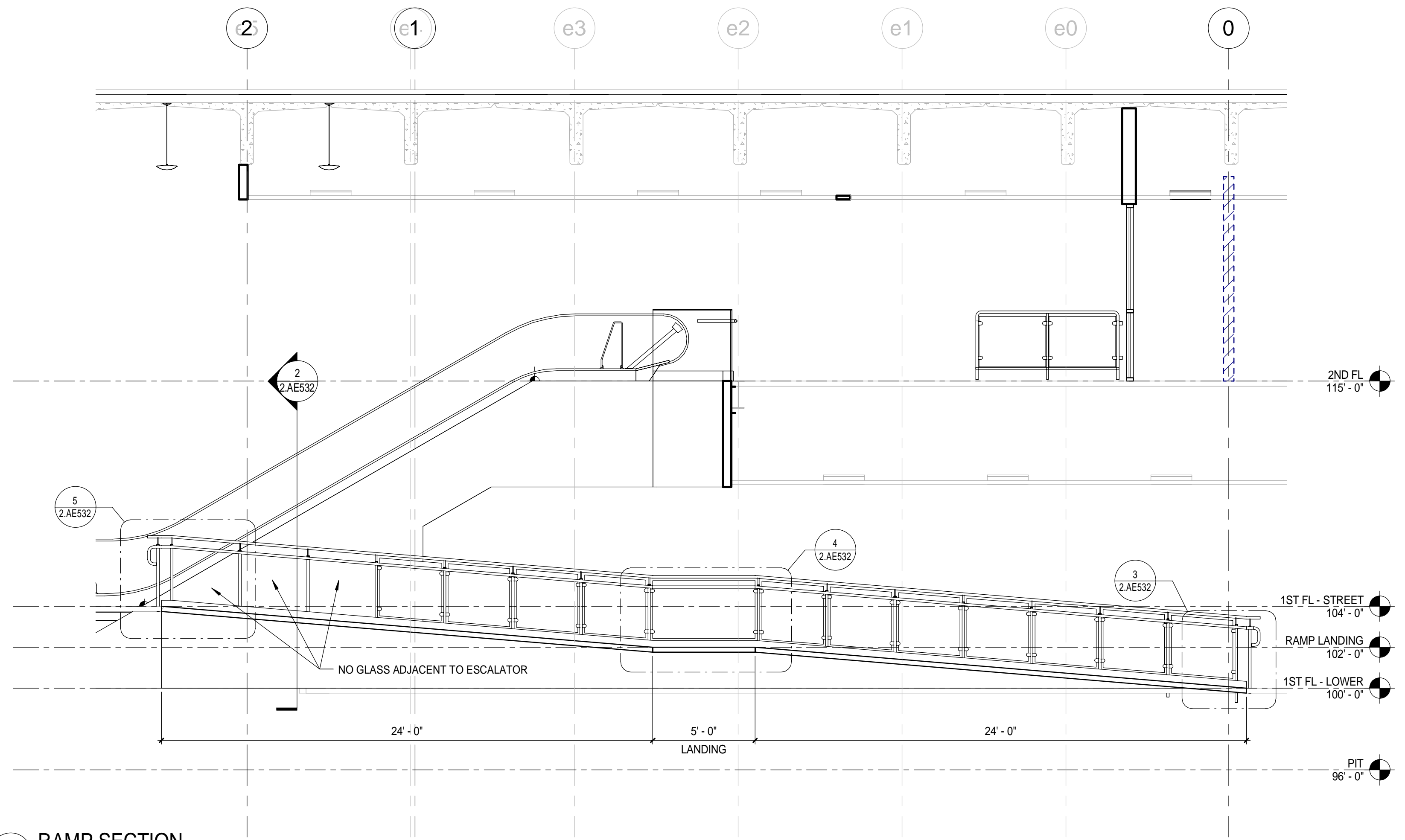


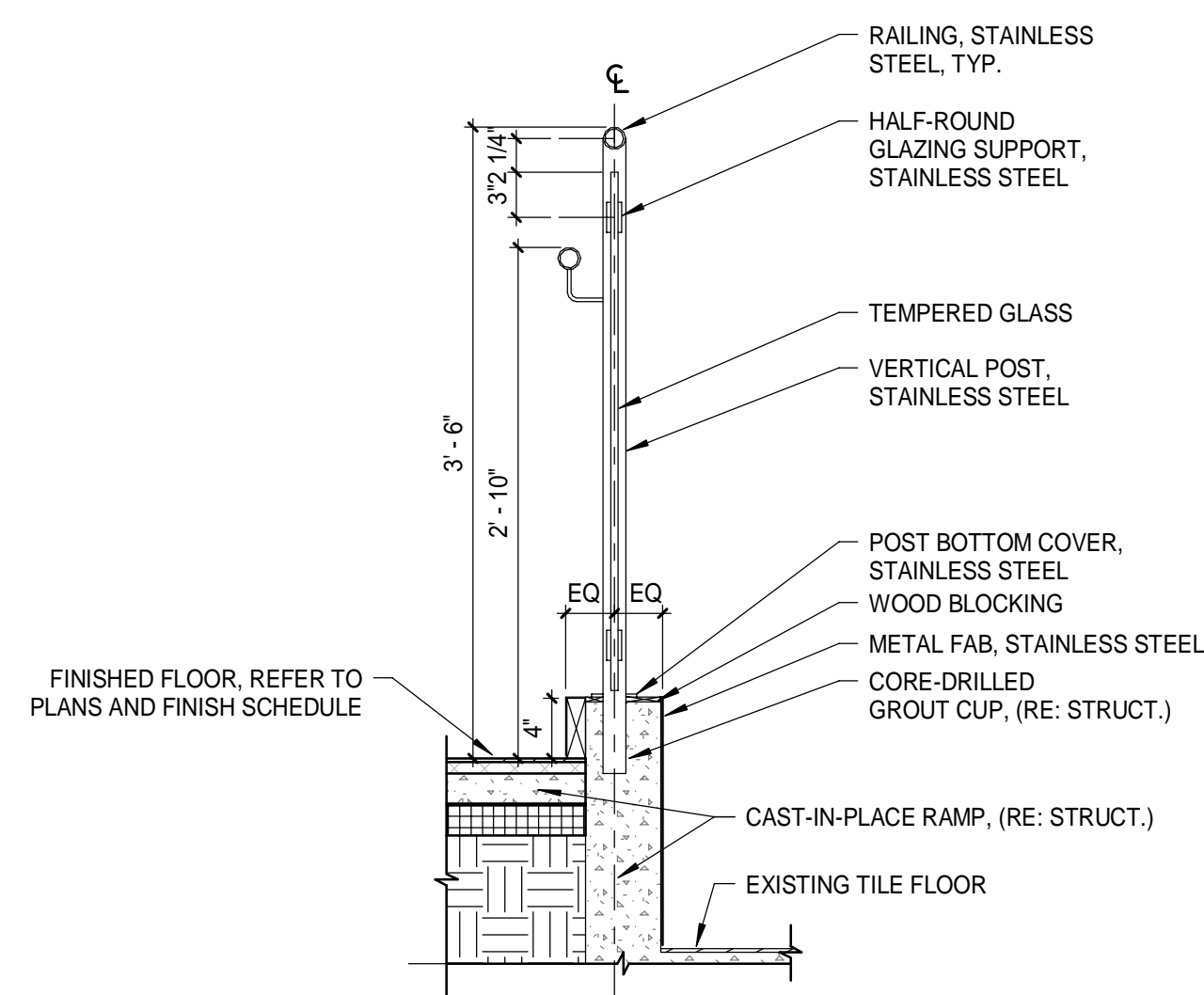
3 RAMP RAILING AT BOTTOM LANDING
1" = 1'-0"



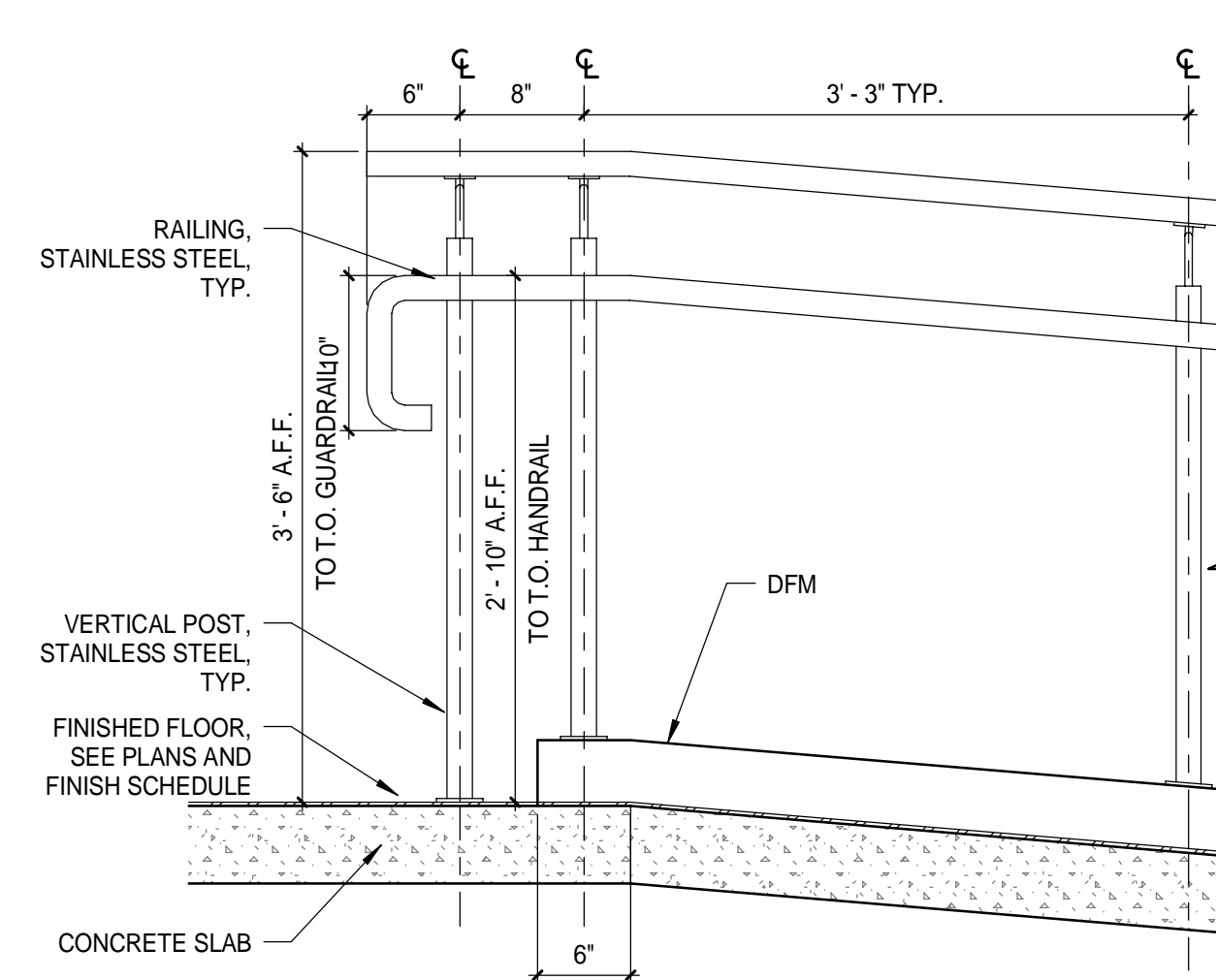
2 RAMP SECTION AT EXISTING STAIR
1/4" = 1'-0"



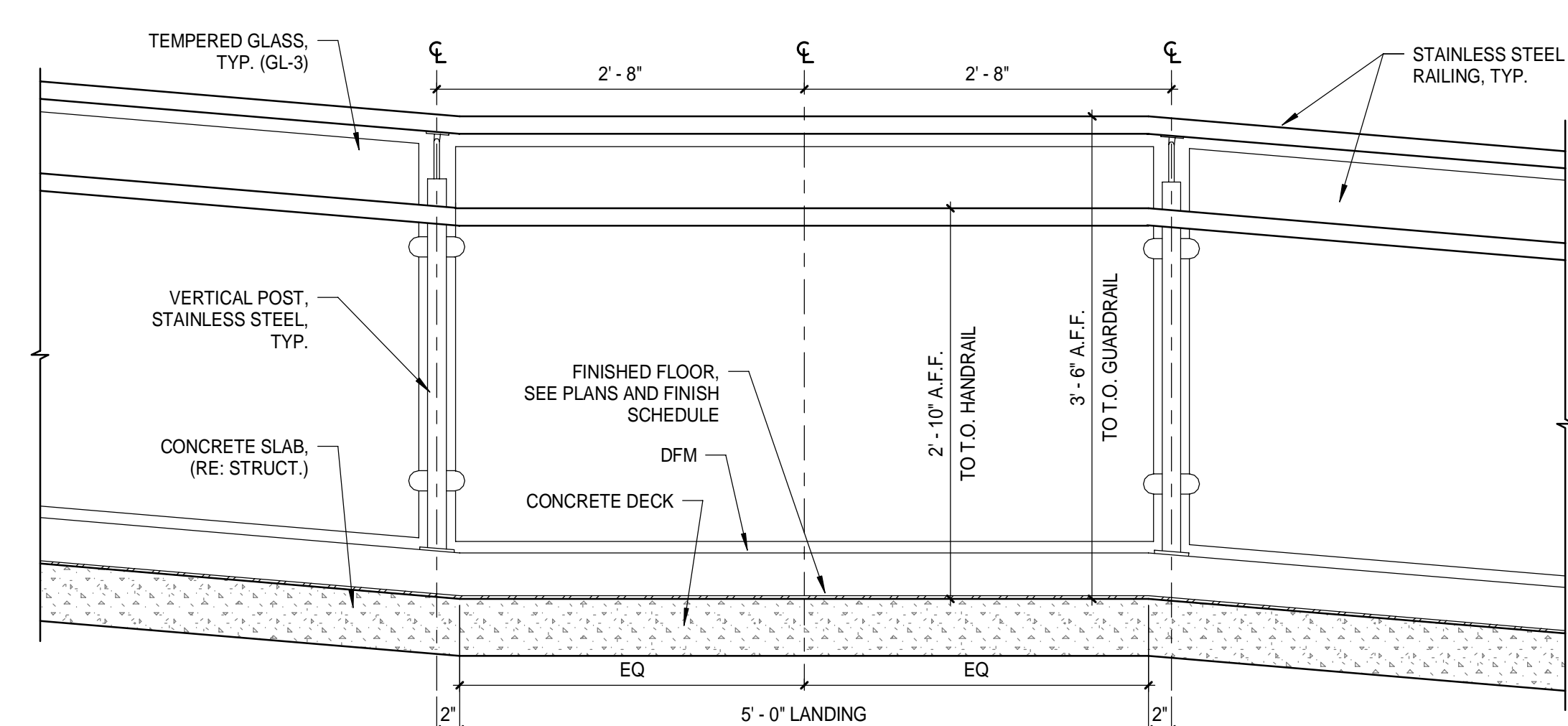
1 RAMP SECTION
1/4" = 1'-0"



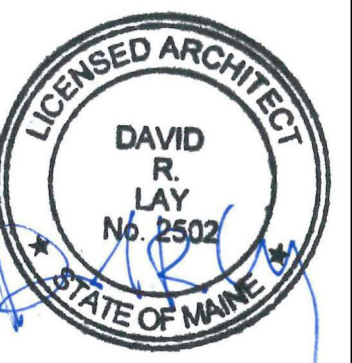
6 SECTION DETAIL AT RAMP RAILING
1" = 1'-0"



5 RAMP RAILING AT TOP RAILING
1" = 1'-0"



4 RAMP RAILING AT MIDDLE LANDING
1" = 1'-0"



ARCHITECTURE 144 Fore Street P.O. Box 618
Portland, Maine 04104
Tel: (207) 772-3846
Fax: (207) 772-1070
www.srmtinc.com

ENGINEERING
PLANNING
INTERIORS
ENERGY

SMART PROJECT NO. PROJECT MGR. JCDRAWN JAE OF RECORD
DRL MOH DRL

ISSUED FOR CONSTRUCTION	DATE: 12/21/17
STATUS: 0	BY: 2.AE532

THIS PLAN SHALL NOT BE MODIFIED WITHOUT WRITTEN PERMISSION FROM SEBAGO TECHNICS, INC. USER'S ASSUMES ALL RISK AND WITHOUT LIABILITY TO SEBAGO TECHNICS, INC.

SEBAGO
TECHNICS

WWW.SEBAGOTECHNICS.COM
75 John Roberts Rd., Suite 1A
South Portland, ME 04086
Tel: (207) 202-1100
Fax: (207) 202-1101

PROJECT NO. | FIELD BOOK | DESIGN | CHECK | DRAWN

RAMP DETAILS
OF:
PORTLAND INTERNATIONAL JETPORT
VERTICAL CIRCULATION IMPROVEMENTS
1001 WESTBROOK STREET
PORTLAND, MAINE 04102

DATE	SCALE
12/21/17	As indicated

2.AE532