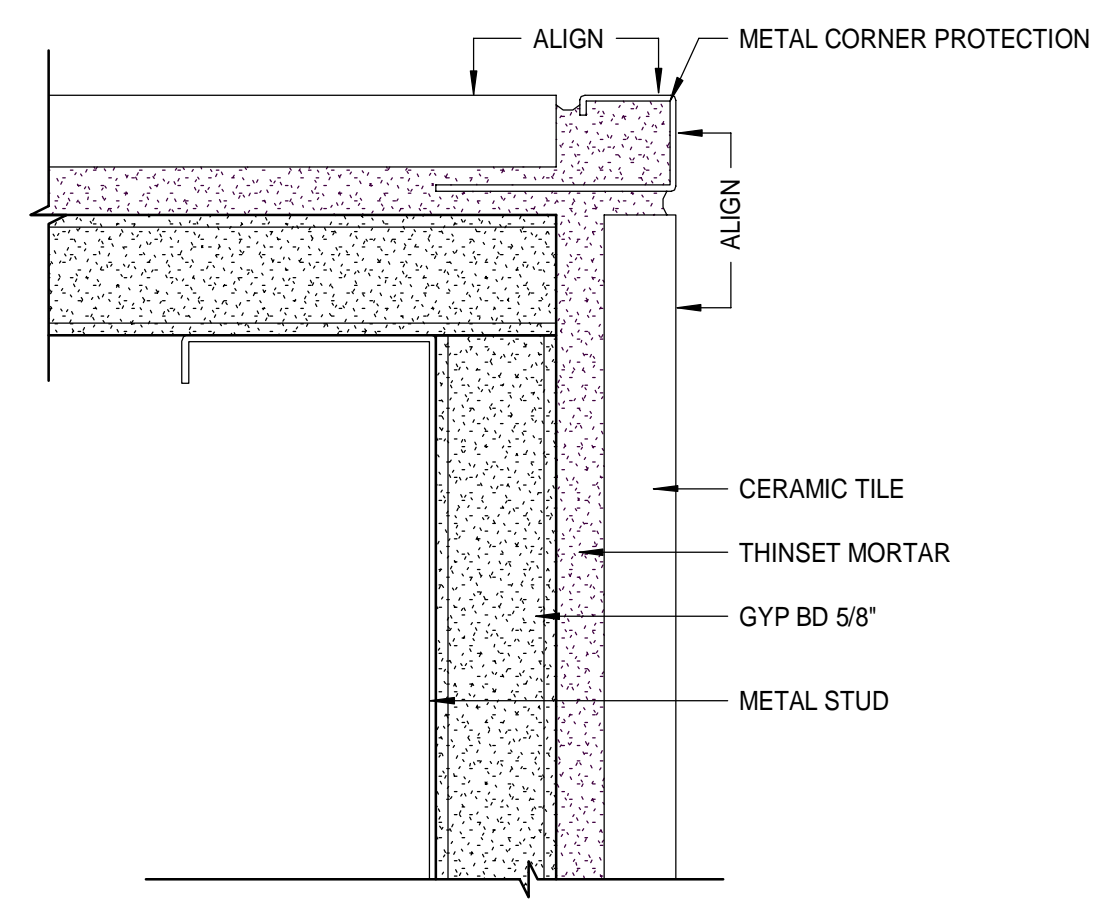
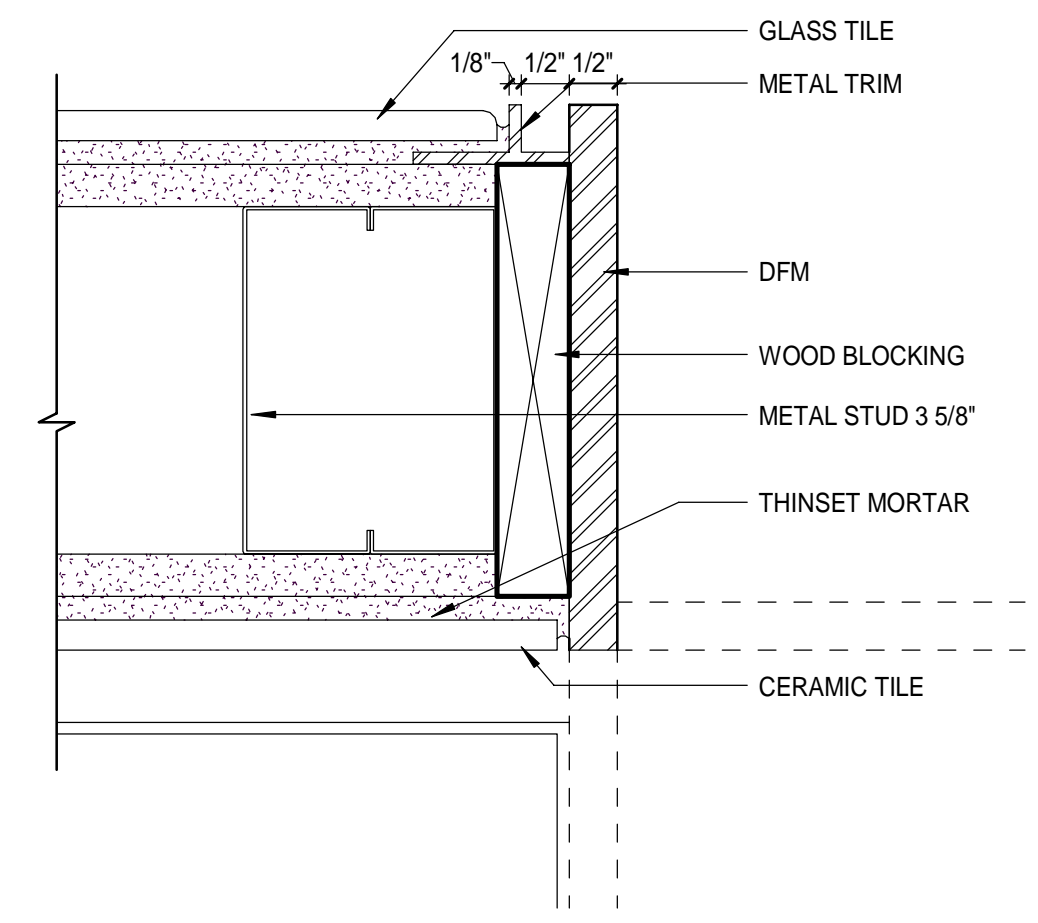


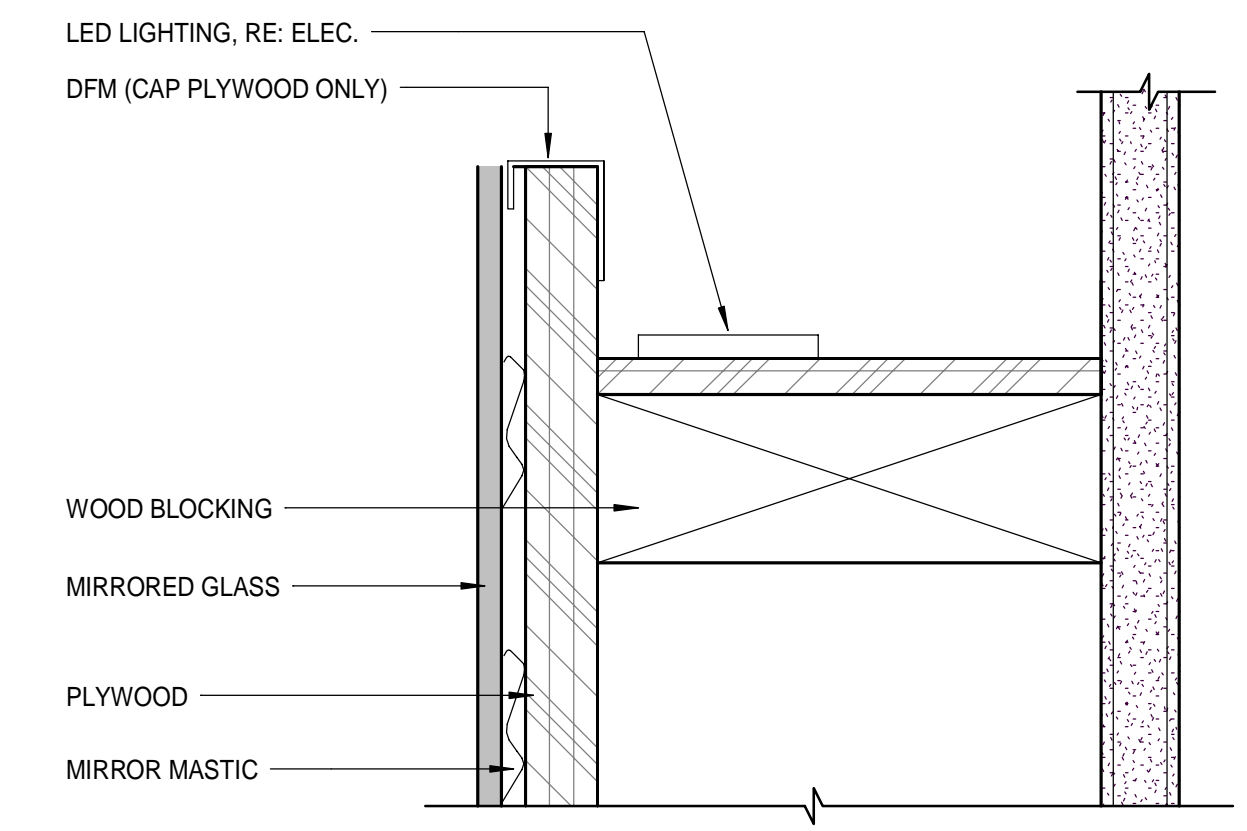
11 DETAIL @ TILE COVE
 6" = 1'-0"



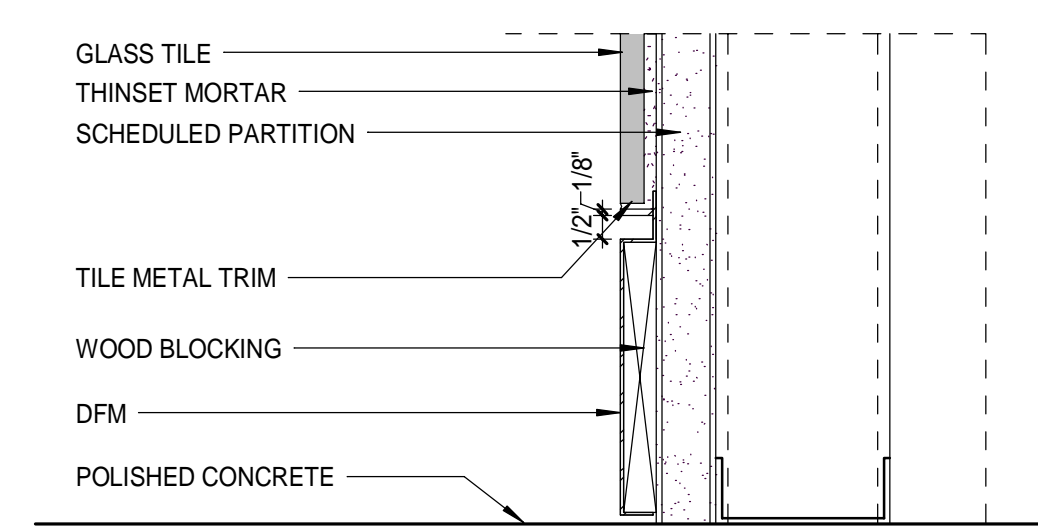
10 PLAN @ CT-02 OUTSIDE CORNER
 12" = 1'-0"



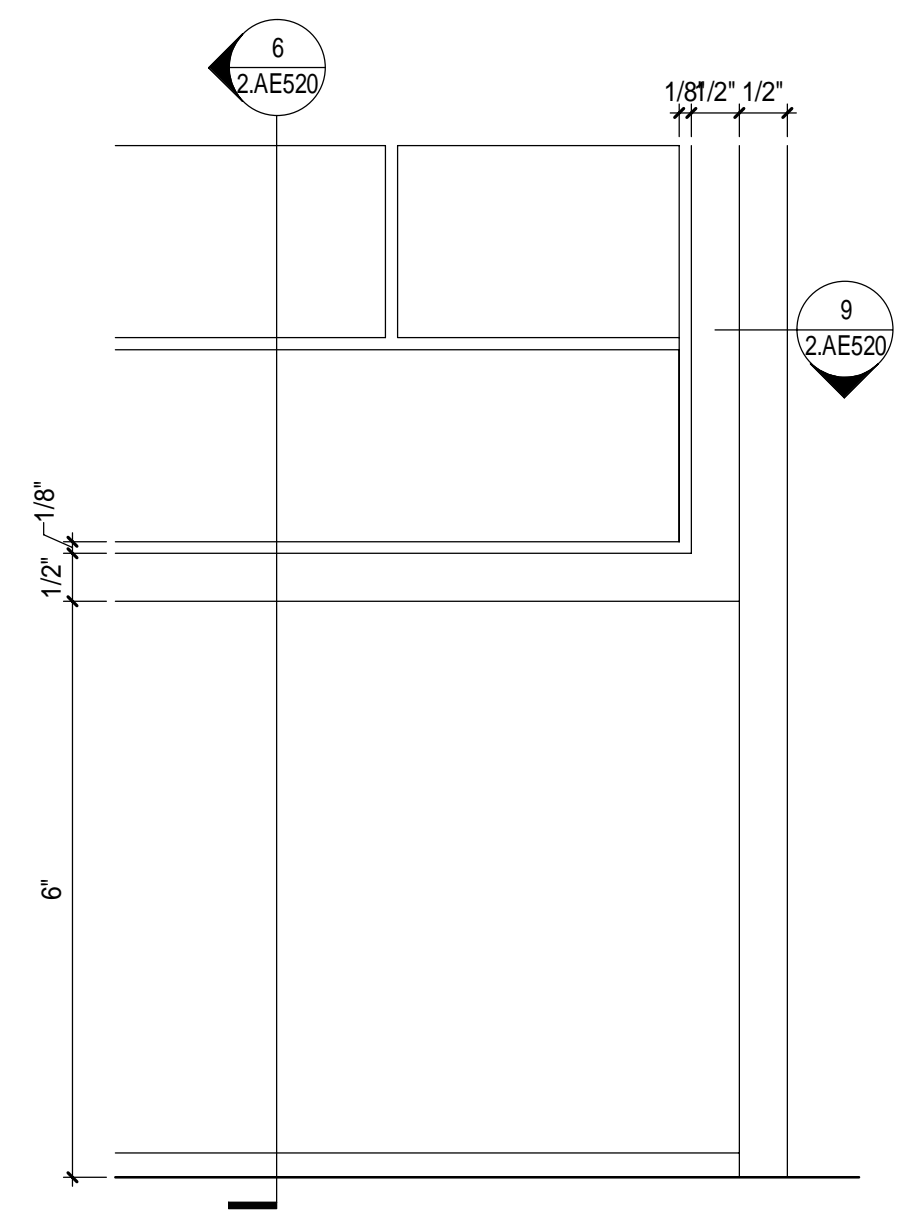
9 PLAN @ GLASS TILE/CERAMIC TILE
 6" = 1'-0"



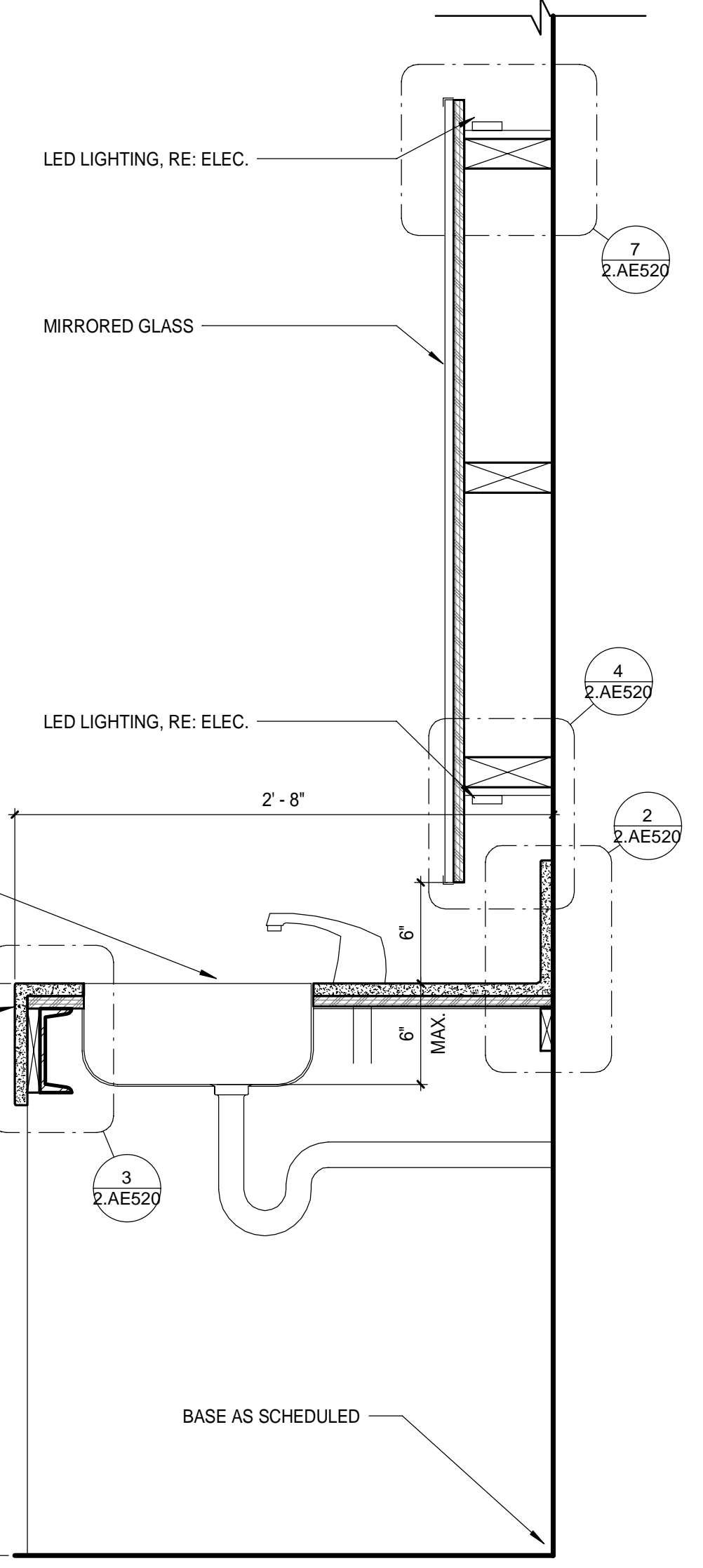
7 DETAIL @ MIRROR HEAD
 6" = 1'-0"



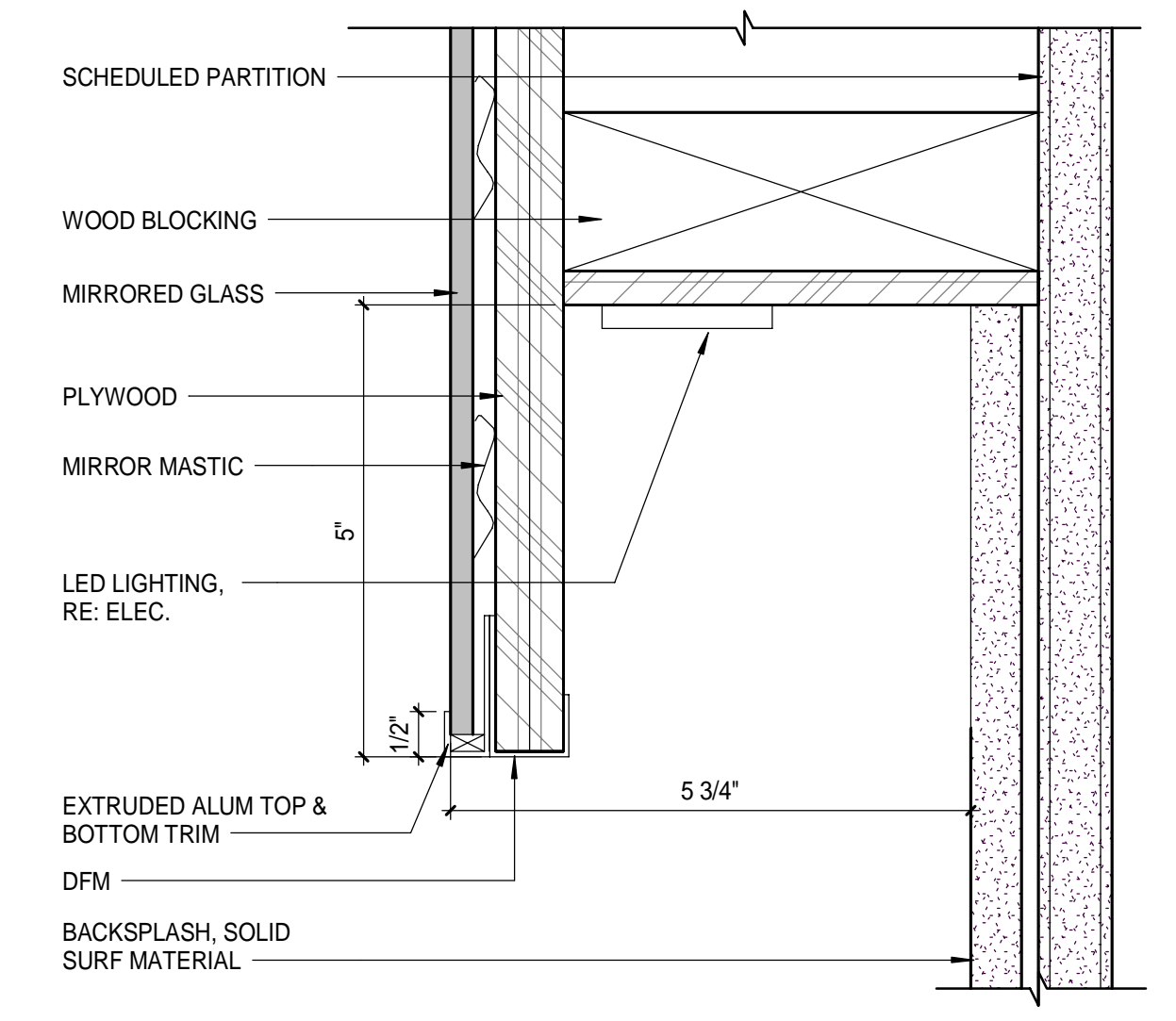
6 DETAIL @ METAL BASE/GLASS TILE
 3" = 1'-0"



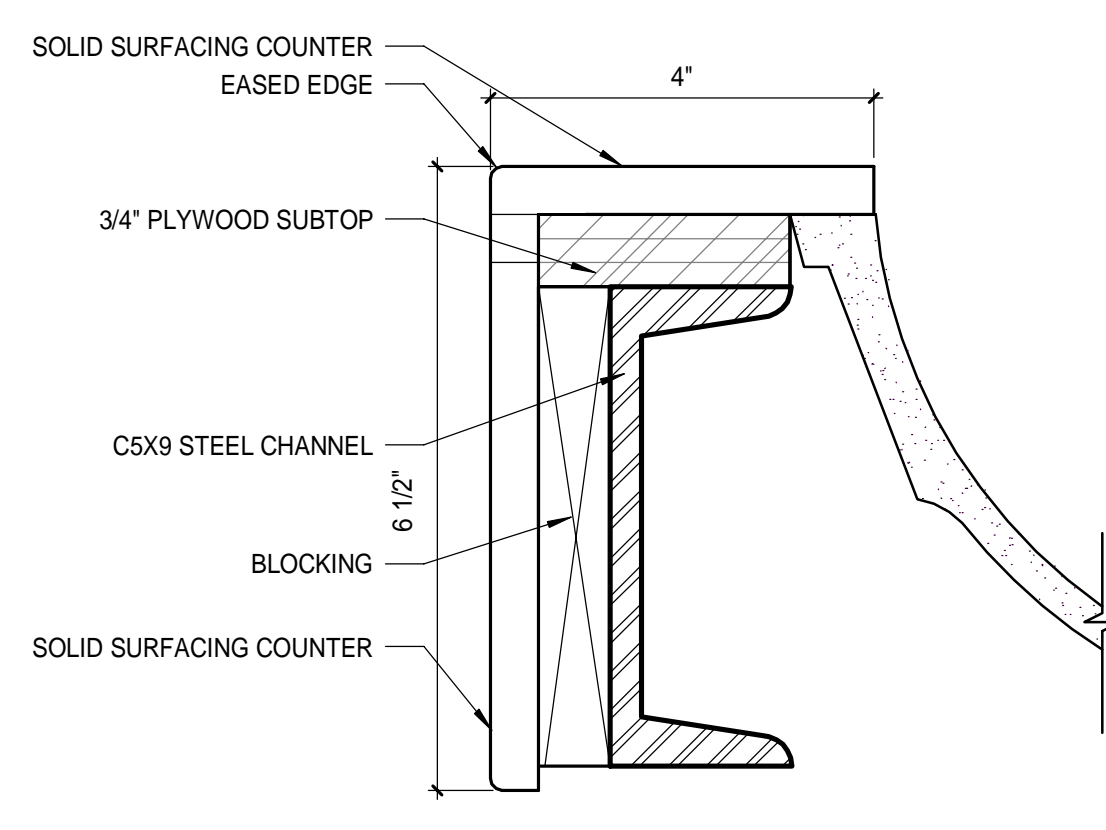
5 ELEV @ METAL BASE @ GLASS TILE
 6" = 1'-0"



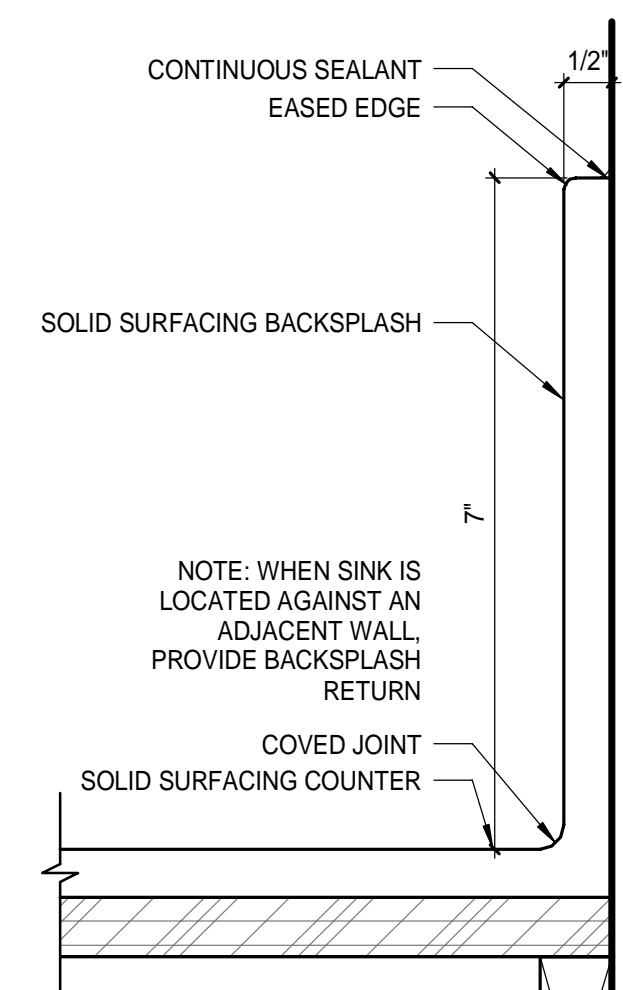
1 SECTION @ LAVATORY
 1 1/2" = 1'-0"



4 DETAIL @ MIRROR BASE
 6" = 1'-0"



3 COUNTER EDGE DETAIL
 6" = 1'-0"



2 BACKSPLASH DETAIL
 6" = 1'-0"