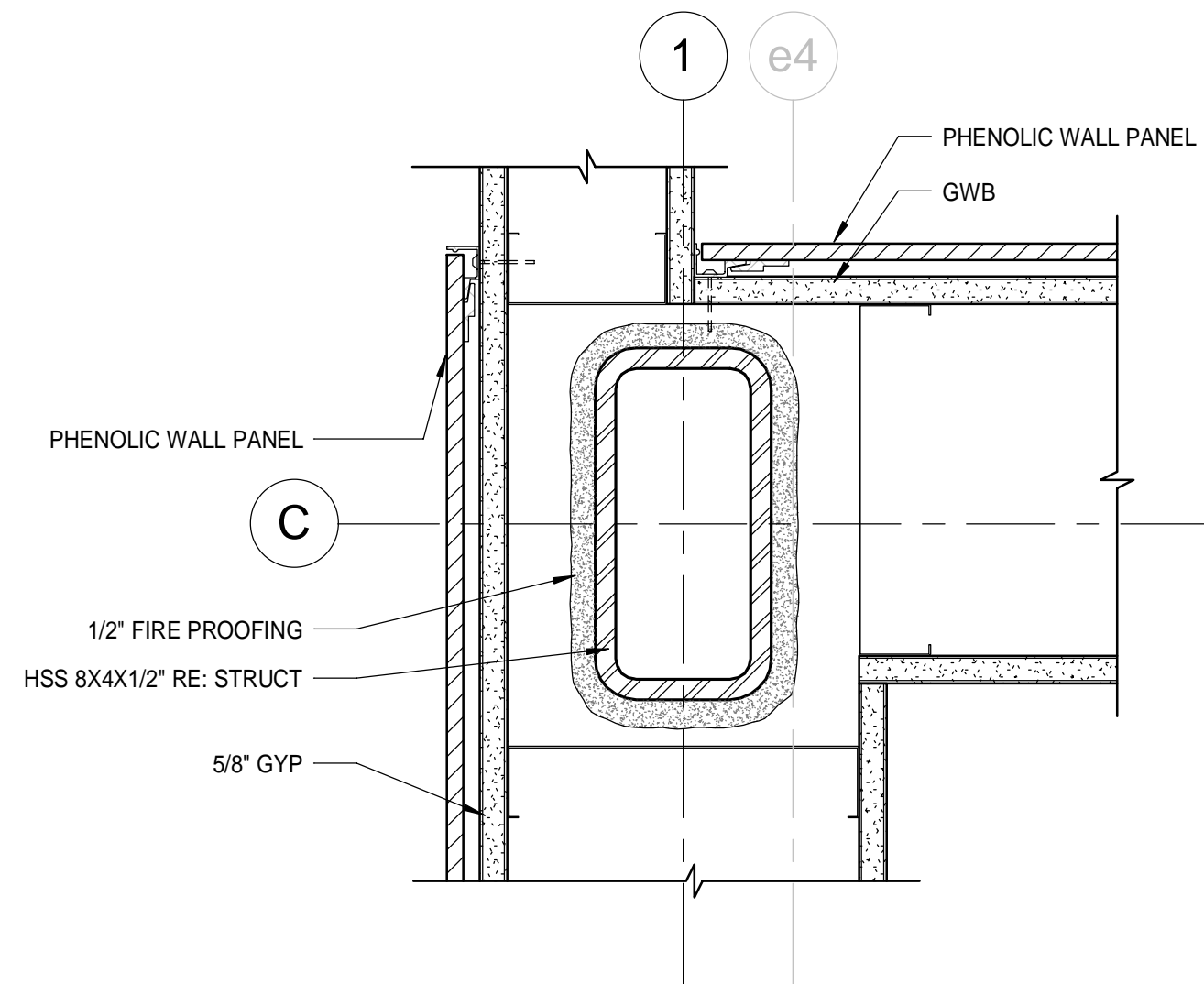
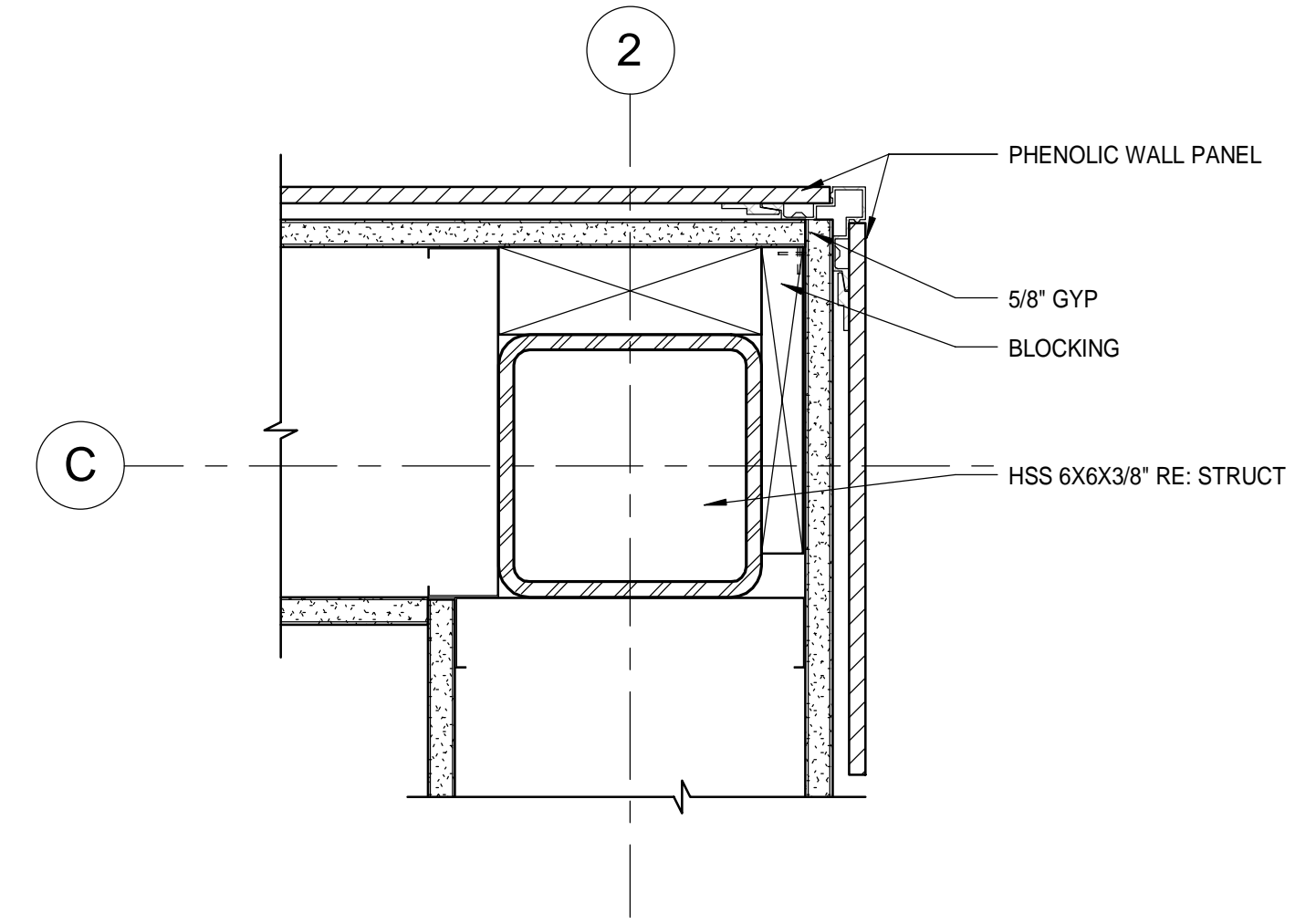


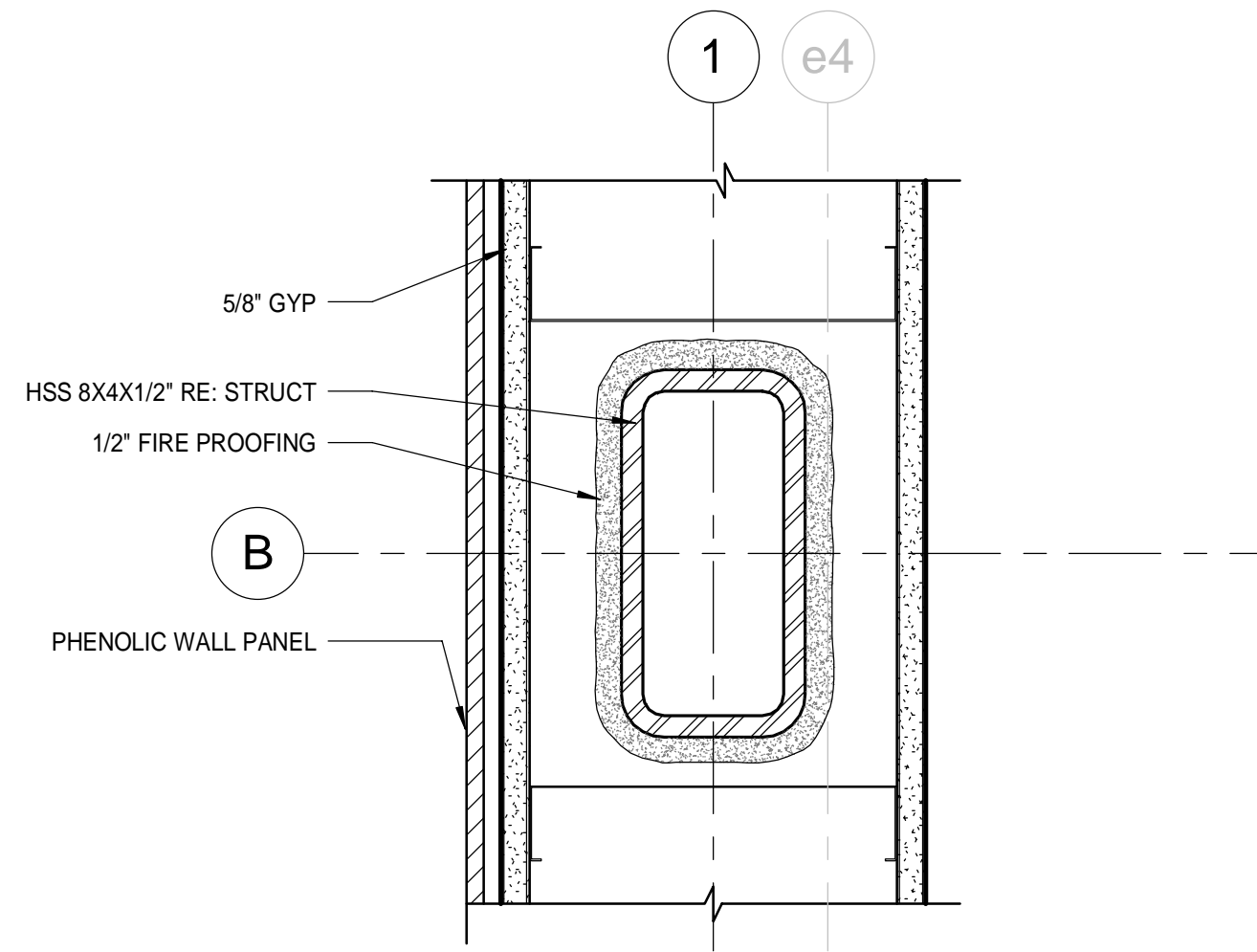
7 DETAIL @ ELEVATOR SHAFT 2ND FL
3" = 1'-0"



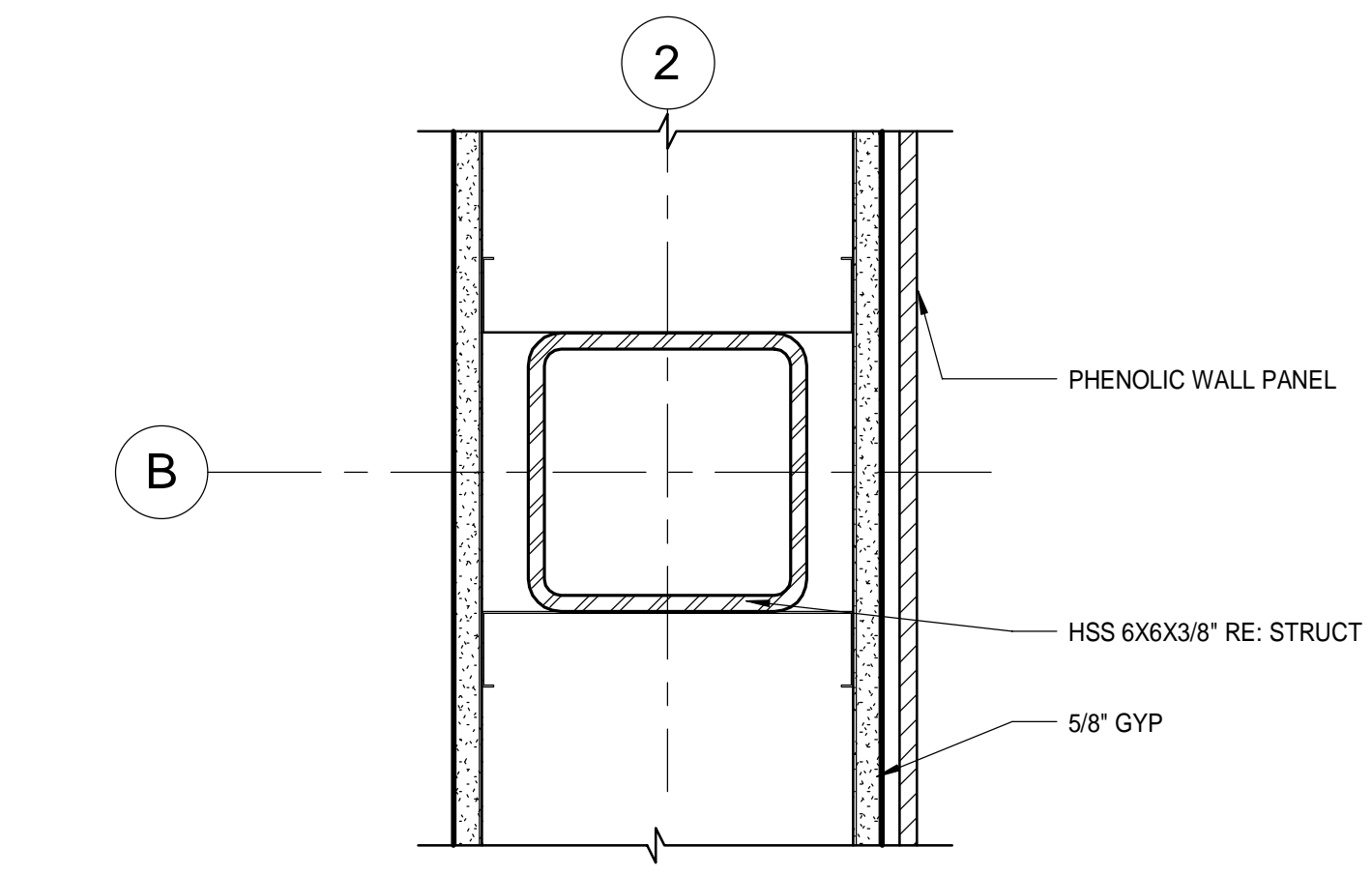
6 DETAIL @ ELEVATOR SHAFT 1ST FL LOWER LEVEL
3" = 1'-0"



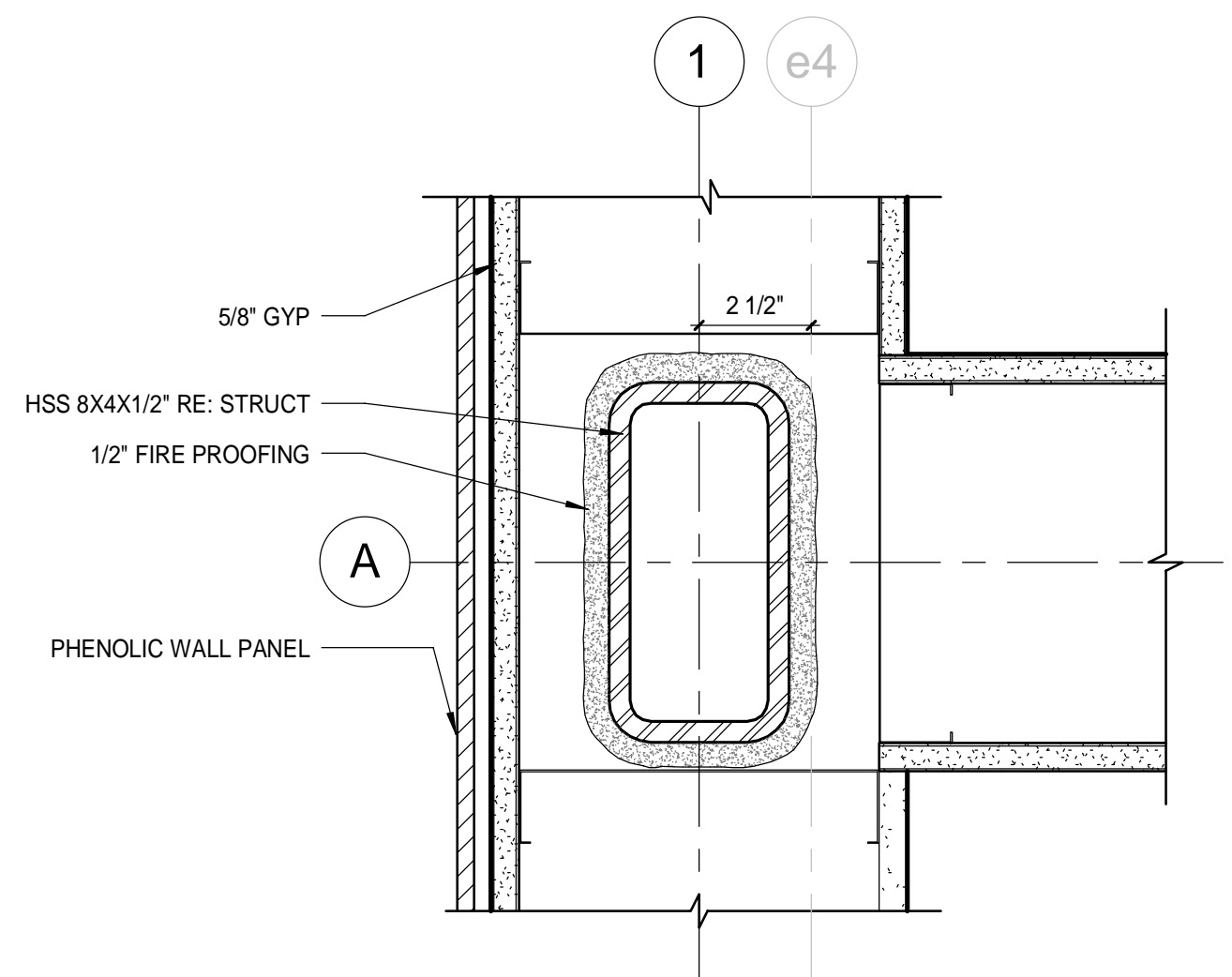
5 DETAIL @ ELEVATOR SHAFT
3" = 1'-0"



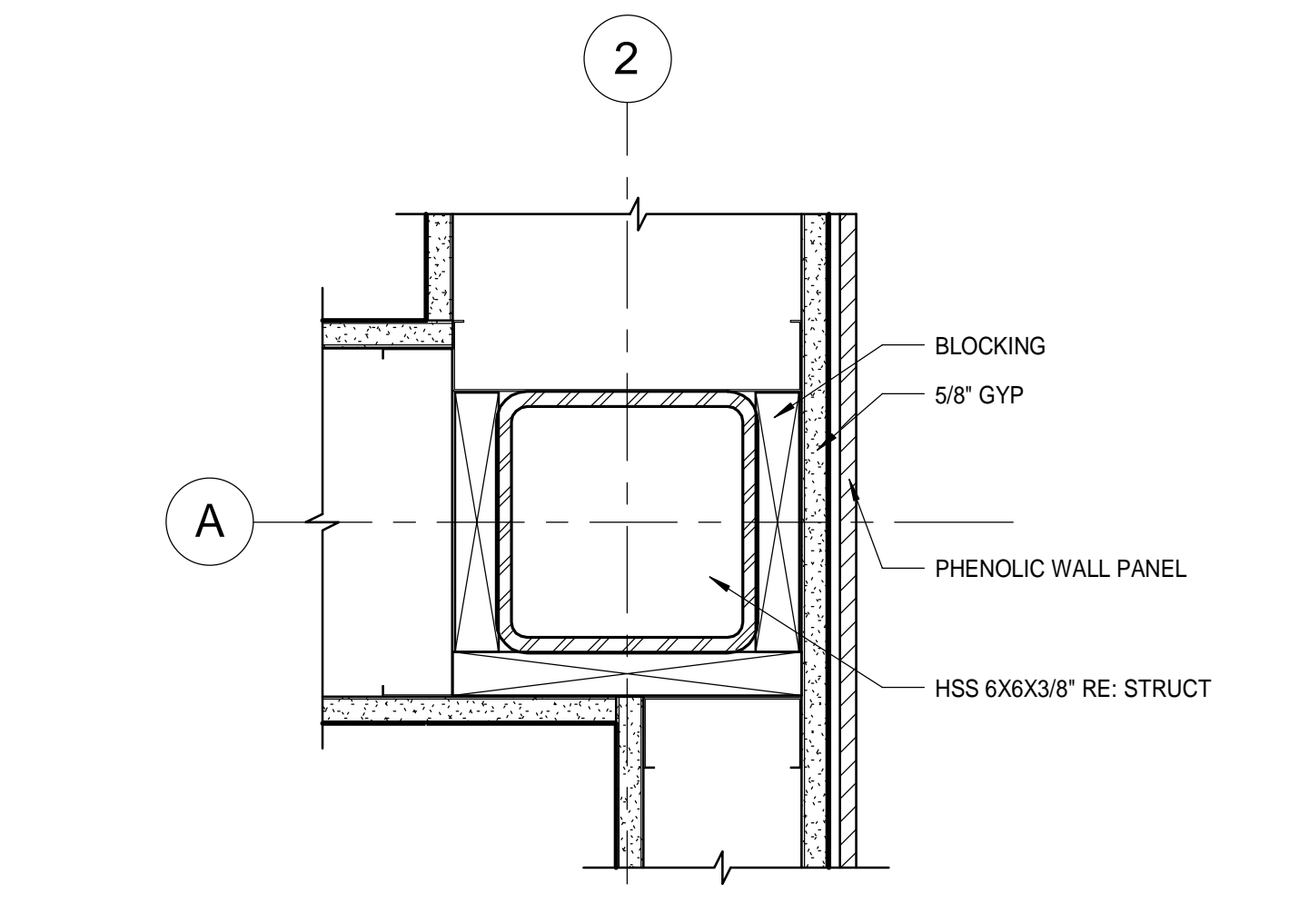
4 DETAIL @ ELEVATOR SHAFT
3" = 1'-0"



3 DETAIL @ ELEVATOR SHAFT
3" = 1'-0"



2 DETAIL @ ELEVATOR SHAFT
3" = 1'-0"



1 DETAIL @ ELEVATOR SHAFT
3" = 1'-0"

NOT FOR CONSTRUCTION

ARCHITECTURE 144 Fore Street P.O. Box 618
Portland, Maine 04104
tel. (207) 775-3846
fax. (207) 775-1070
www.smrtinc.com

SMRT
ENGINEERING
PLANNING
INTERIORS
ENERGY

SMRT PROJECT NO. 17033
PROJECT MGR. JCDRAWN
Author
DRL
AE OF RECORD
Checker

REV.	BY	DATE	ISSUED FOR PERMIT
		12/21/17	STATUS: DATE: 12/21/17

THIS PLAN SHALL NOT BE MODIFIED WITHOUT WRITTEN PERMISSION FROM SEBAGO TECHNICS, INC.
USERS ASSUME ALL RISK AND WITHOUT LIABILITY TO SEBAGO TECHNICS, INC.

SEBAGO
TECHNICS

WWW.SEBAGOTECHNICS.COM
75 John Roberts Rd., Suite 1A
South Portland, ME 04086
Tel: (207) 783-5660
Fax: (207) 783-5660

PROJECT NO. | FIELD BOOK | DESIGN | CHKD | DRAWN

DETAILS
OF:
PORTLAND INTERNATIONAL JETPORT
VERTICAL CIRCULATION IMPROVEMENTS
1001 WESTBROOK STREET
PORTLAND, MAINE 04102

DATE	SCALE
12/18/17	3" = 1'-0"

2.AE500