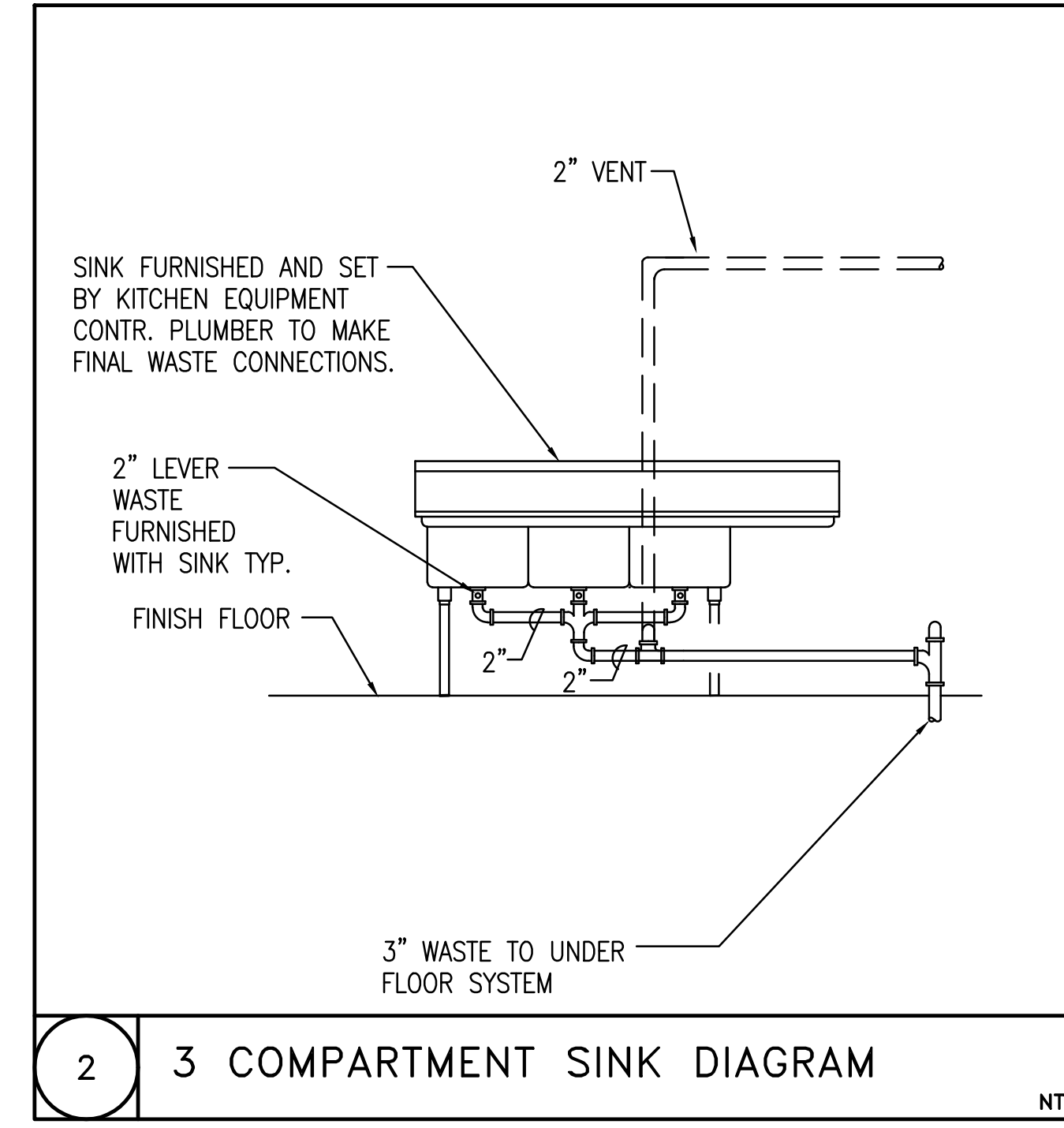
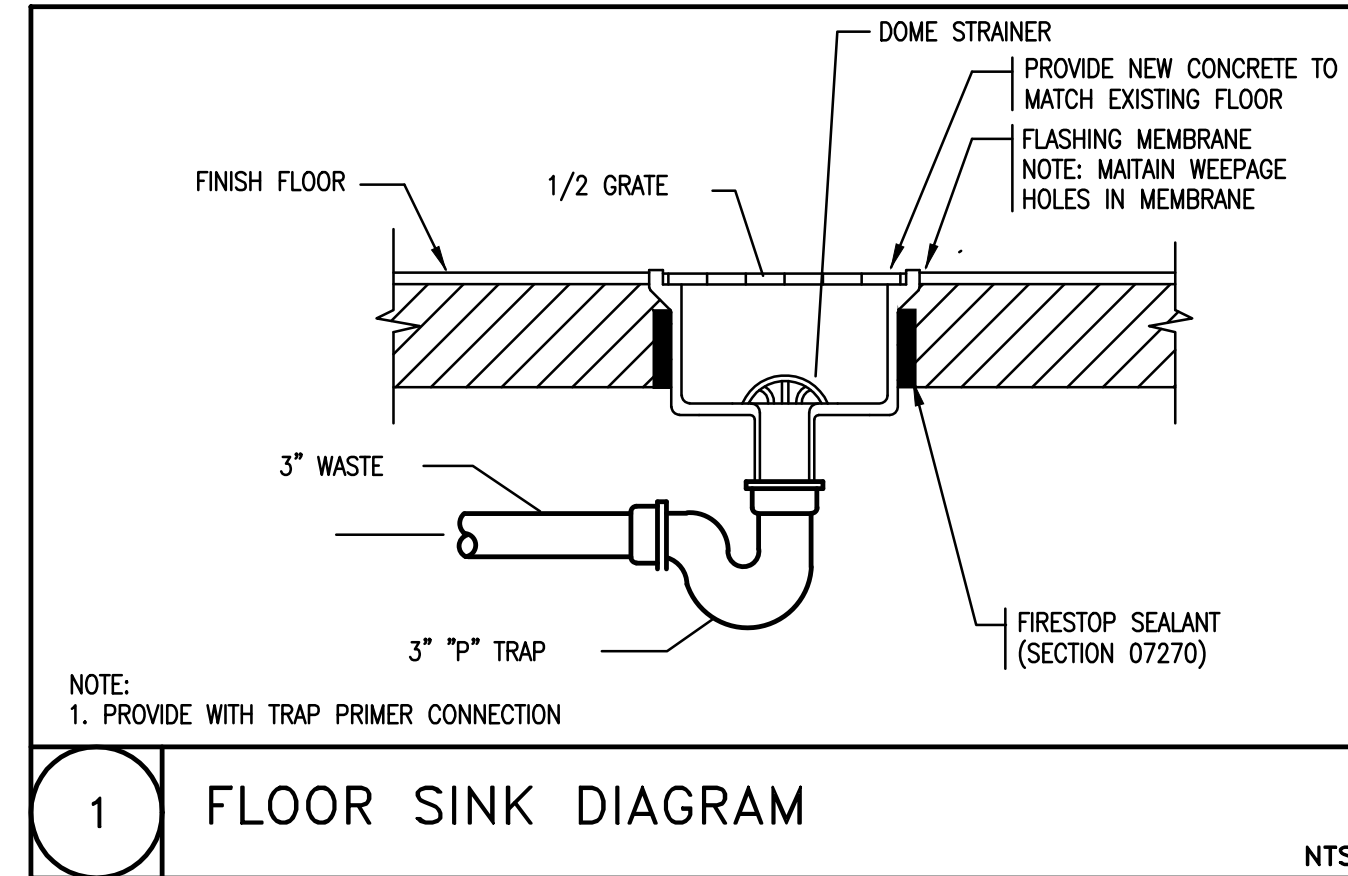


DRAIN SCHEDULE

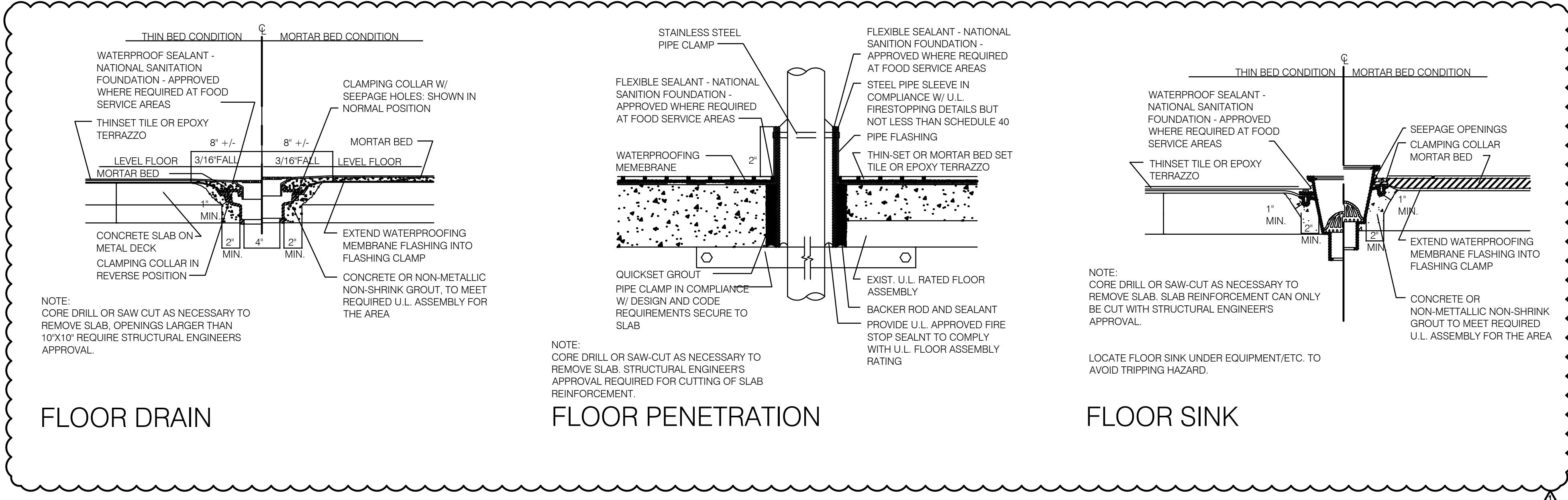
SYMBOL	TYPE	MANUFACTURER	MODEL	OUTLET	STRAINER	REMARKS
FS	FLOOR SINK	ZURN	FD2375-NH4	4"	12"x12"	CAST IRON BODY WITH A WHITE ACID RESISTING PORCELAIN ENAMEL INTERIOR COATING, AND AN ABS ANT SPLASH DOME STRAINER. PROVIDE WITH 1/2" GRATE

NOTES:
ALL FLOOR DRAINS SHALL HAVE IP TRAP PRIMER CONNECTIONS, PPP MODEL # PR01-500. 1-4 OUTLETS PROVIDE DISTRIBUTION UNIT AS REQUIRED.



PLUMBING LEGEND

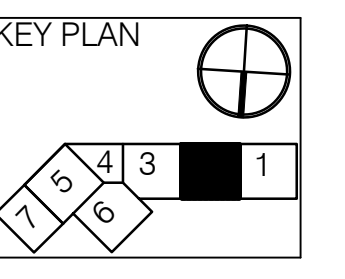
---	CW	COLD WATER
---	FW	FILTERED WATER
---	HW	HOT WATER
---	S or W	SOIL OR WASTE
---	S/W	SOIL OR WASTE BELOW FLOOR OR BURIED
---	IW	INDIRECT WASTE PIPING
---	V	VENT
---	V	VENT BELOW FLOOR OR BURIED
---	CONT	CONTINUATION
---	UP	PIPE RISE OR UP
---	DN	PIPE DROP OR DOWN
---	TEE	PIPE TEE
---	W & T	WASTE & TRAP
---	CO	CLEANOUT PLUG
---	FCO	FLUSH FLOOR CLEANOUT
---	DCO	DANDY CLEANOUT
---		CAPPED PIPE
---		ARROW INDICATES DIRECTION OF FLOW
---		ARROW INDICATES DIRECTION OF SLOPE
---	UNION	UNION
---	TP	TRAP PRIMER
1 P-1		DIAGRAM NO. & DWG. NO. REFERENCE
FS "A"		FLOOR SINK & TYPE
###		FEC EQUIPMENT NUMBER (FURNISHED BY FEC)
EC		ELECTRICAL CONTRACTOR
GC		GENERAL CONTRACTOR
PC		PLUMBING CONTRACTOR
S=.01		SLOPE = 1/8" PER FOOT
S=.02		SLOPE = 1/4" PER FOOT
TYP		TYPICAL
W & V		WASTE & VENT
EX		EXISTING



Item	Date
Bid	032117
Permit	032417
REV #1	081017

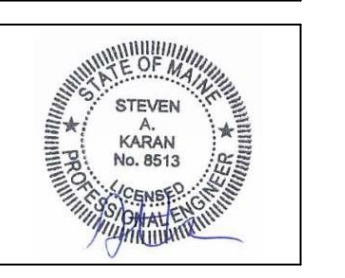


Great American Bagel Renovations
Portland Int'l Airport P100
1001 Westbrook Street
Portland ME 04102



HMS Host
6905 Rockledge Drive
Bethesda, MD 20817
T: (240) 694-4746
F: (240) 694-6643
C: (240) 274-6417
E: scott.reimink@hmshost.com

Building Engineering Resources, Inc.
66 Main Street
North Easton, MA 02356
T: (508) 230-0269
F: (508) 230-0265
E: ber@ber-engineering.com



LLOYD ARCHITECTS
32 Court St., Plymouth, MA 02360
TEL: (508) 746-4976
FAX: (508) 746-4976
E-MAIL: info@lloydarch.com

Job #: 16414
Scale: As noted
Issued: 032117

PLUMBING LEGEND, DETAILS

P100