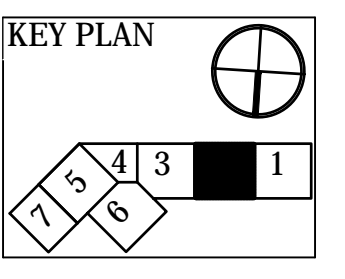


Item	Date
Bid	032117
Permit	032417

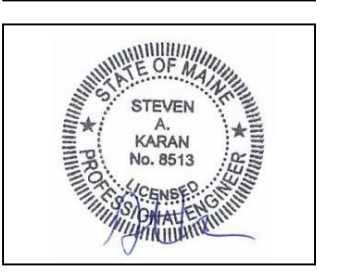


**Great American Bagel Renovations**  
 Portland Int'l Airport PWM  
 1001 Westbrook Street  
 Portland ME 04102



**HMS Host**  
 6965 Rockledge Drive  
 Bethesda, MD 20817  
 T: (240) 694-4746  
 F: (240) 694-4643  
 C: (240) 274-6417  
 E: scott.reimink@hmshost.com

**Building Engineering Resources, Inc.**  
 66 Main Street  
 North Easton, MA 02356  
 T: (508) 230-0260  
 F: (508) 230-0365  
 E: ber@ber-engineering.com



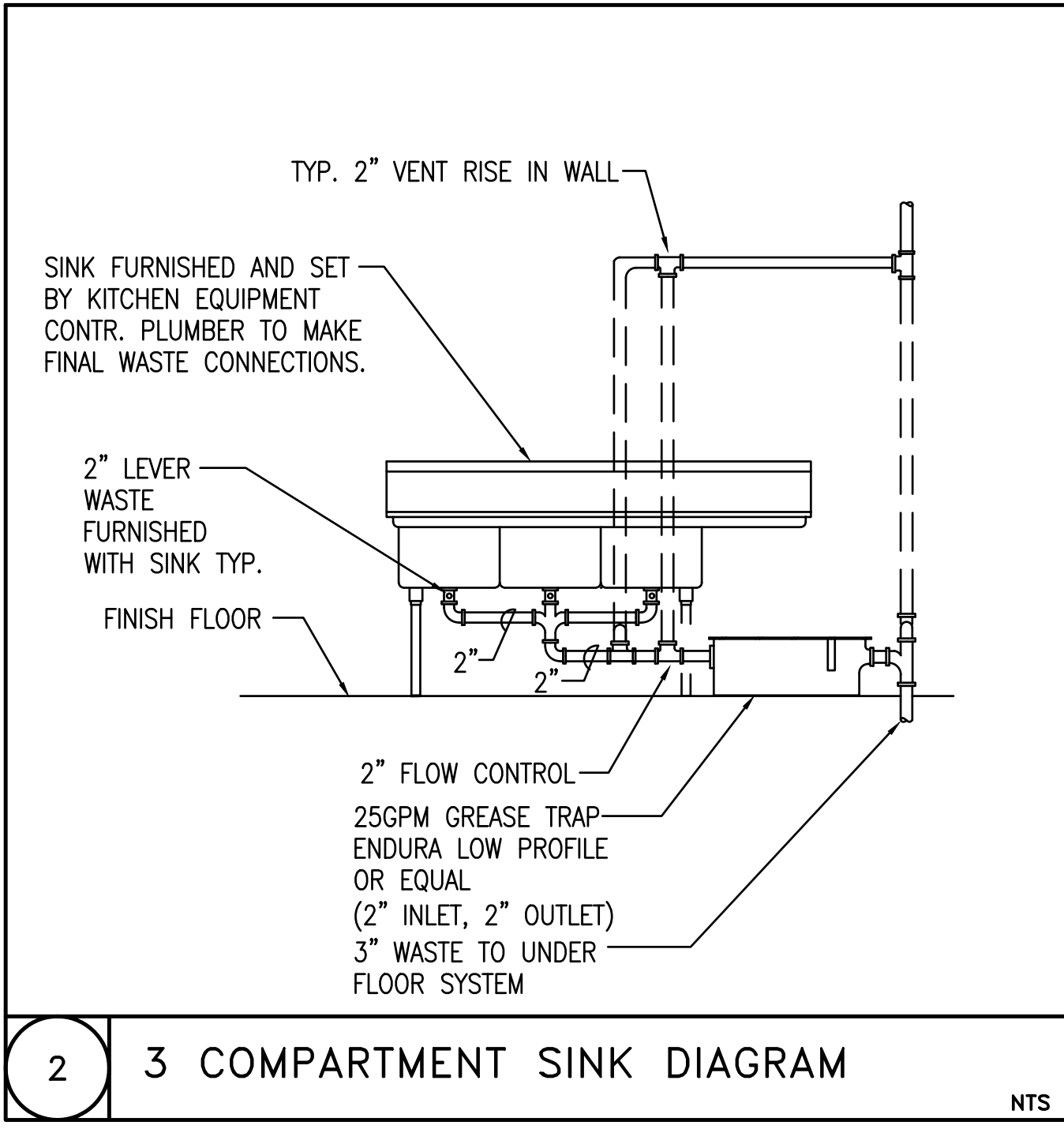
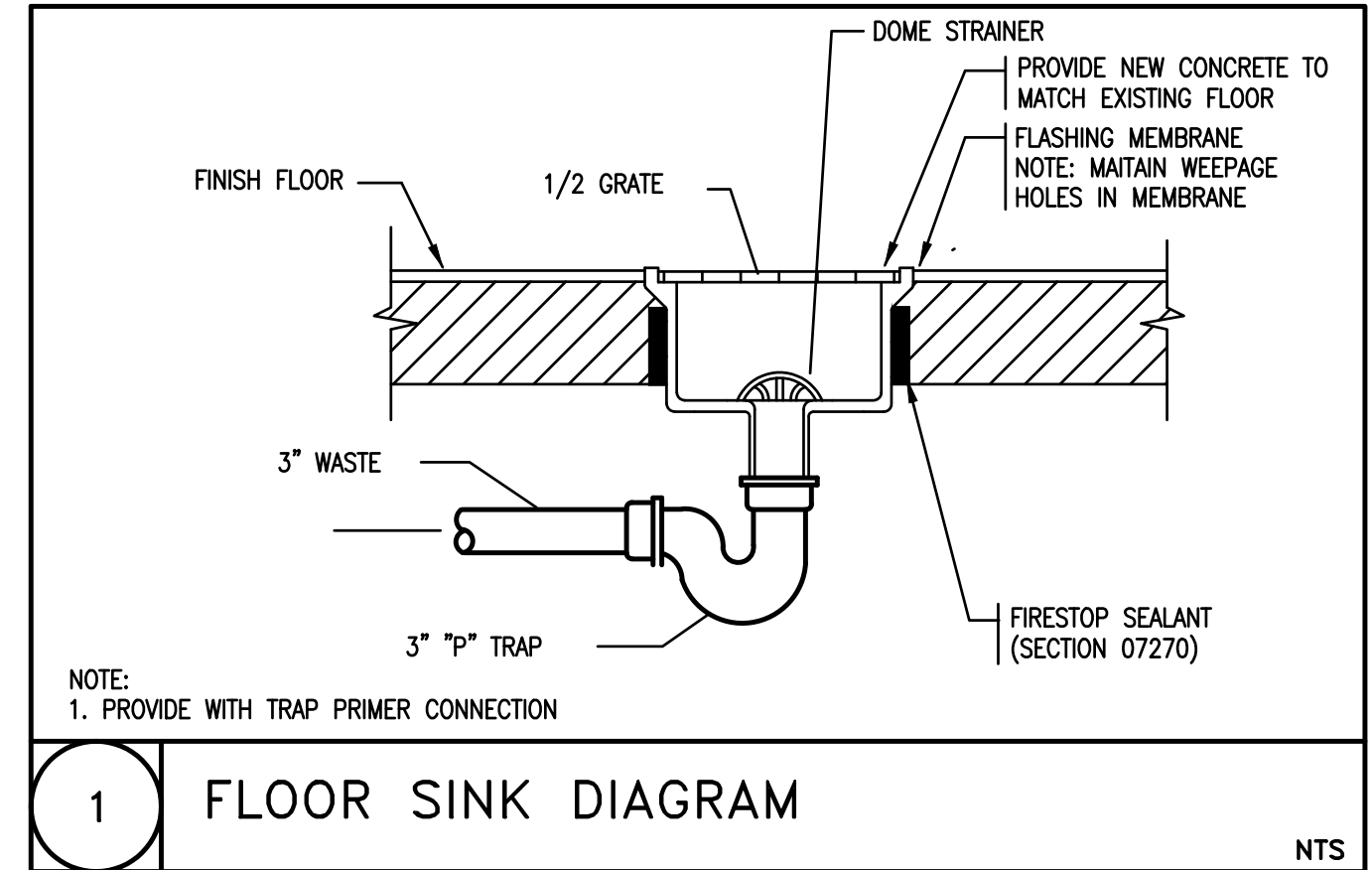
**LLOYD ARCHITECTS**  
 32 Court St., Plymouth, MA 02360  
 TEL: (508) 746-4646  
 F: (508) 746-4976  
 E-MAIL: info@lloydarch.com

Job #: 16414  
 Scale: As noted  
 Issued: 032117

PLUMBING LEGEND, DETAILS

P100

DRAIN SCHEDULE						
SYMBOL	TYPE	MANUFACTURER	MODEL	OUTLET	STRAINER	REMARKS
FS	FLOOR SINK	ZURN	FD2375-NH4	4"	12"x12"	CAST IRON BODY WITH A WHITE ACID RESISTING PORCELAIN ENAMEL INTERIOR COATING, AND AN ABS ANT SPLASH DOME STRAINER. PROVIDE WITH 1/2" GRATE
NOTES: ALL FLOOR DRAINS SHALL HAVE IP TRAP PRIMER CONNECTIONS, PPP MODEL # PR01-500. 1-4 OUTLETS PROVIDE DISTRIBUTION UNIT AS REQUIRED.						



**PLUMBING LEGEND**

---	CW	COLD WATER
---	FW	FILTERED WATER
---	HW	HOT WATER
---	S or W	SOIL OR WASTE
---	S/W	SOIL OR WASTE BELOW FLOOR OR BURIED
---	IW	INDIRECT WASTE PIPING
---	V	VENT
---	V	VENT BELOW FLOOR OR BURIED
---	CONT	CONTINUATION
---	UP	PIPE RISE OR UP
---	DN	PIPE DROP OR DOWN
---	TEE	PIPE TEE
---	W & T	WASTE & TRAP
---	CO	CLEANOUT PLUG
---	FCO	FLUSH FLOOR CLEANOUT
---	DCO	DANDY CLEANOUT
---		CAPPED PIPE
---		ARROW INDICATES DIRECTION OF FLOW
---		ARROW INDICATES DIRECTION OF SLOPE
---	UNION	UNION
---	TP	TRAP PRIMER
1 P-1		DIAGRAM NO. & DWG. NO. REFERENCE
FS "A"	FS "A"	FLOOR SINK & TYPE
###		FEC EQUIPMENT NUMBER (FURNISHED BY FEC)
EC	EC	ELECTRICAL CONTRACTOR
GC	GC	GENERAL CONTRACTOR
PC	PC	PLUMBING CONTRACTOR
S=.01	S=.01	SLOPE = 1/8" PER FOOT
S=.02	S=.02	SLOPE = 1/4" PER FOOT
TYP	TYP	TYPICAL
W & V	W & V	WASTE & VENT
EX	EX	EXISTING