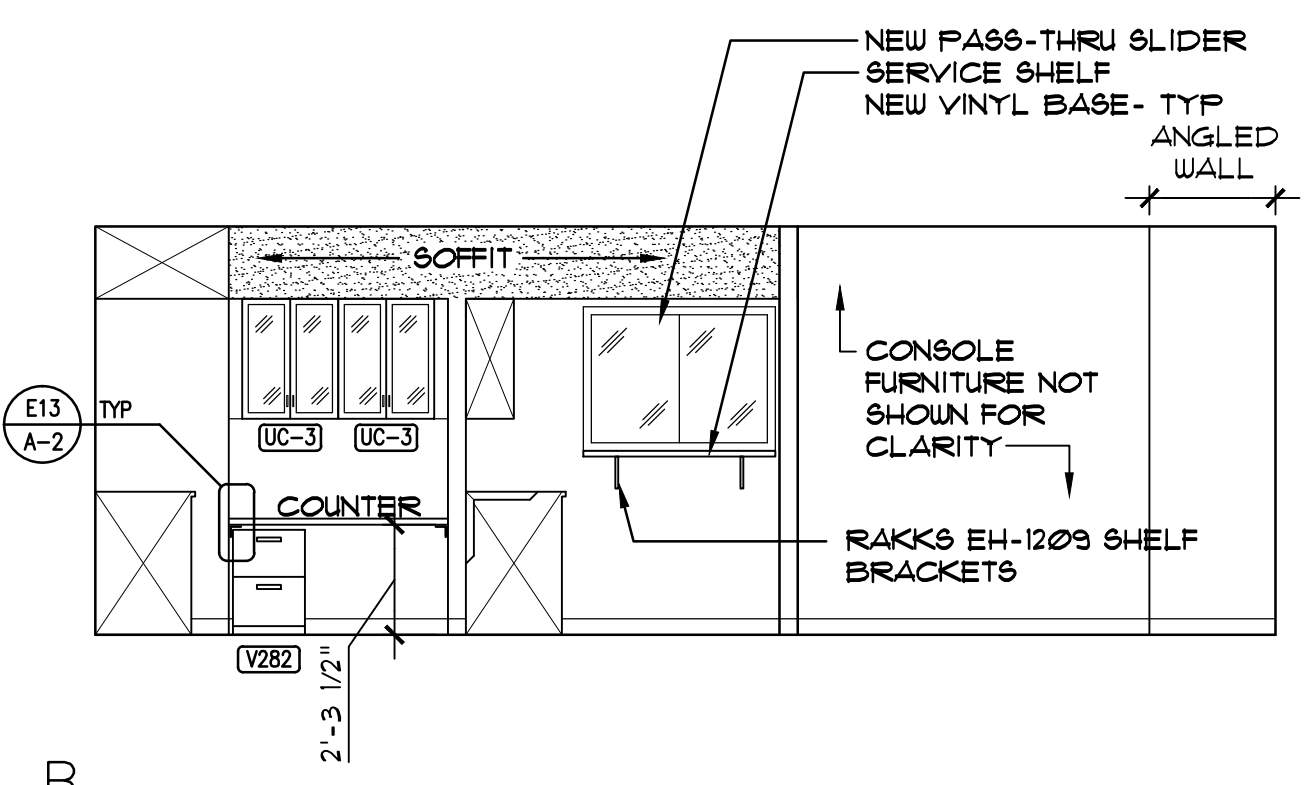
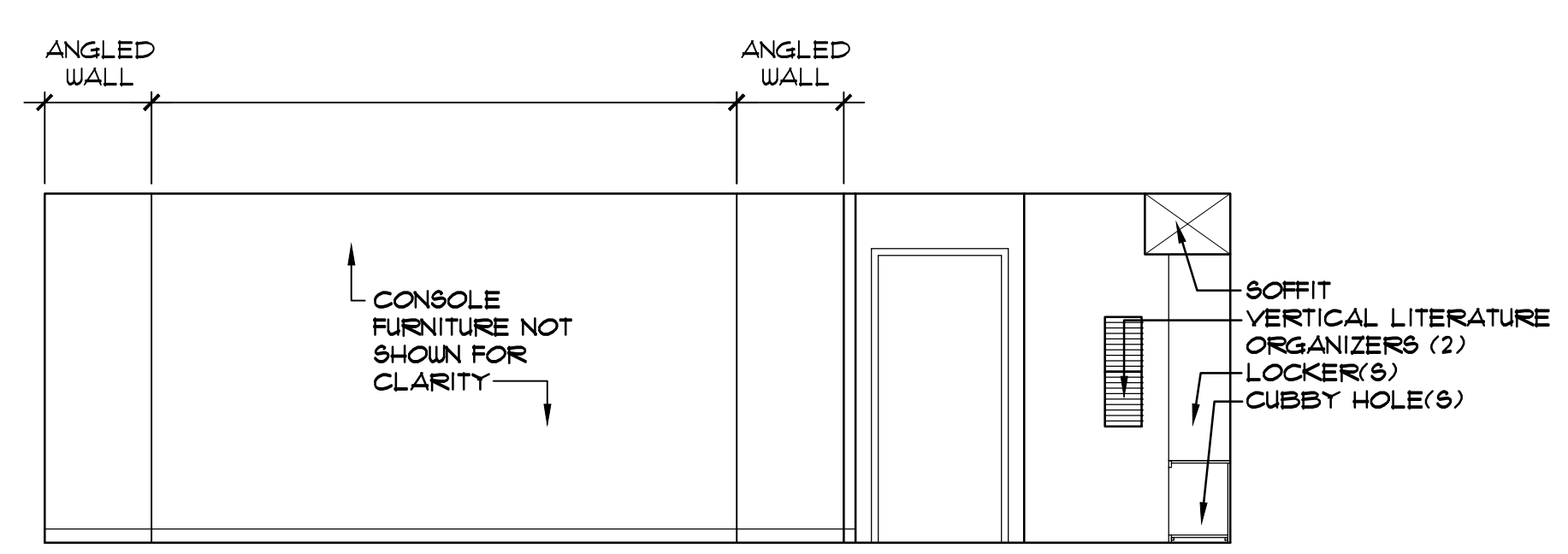


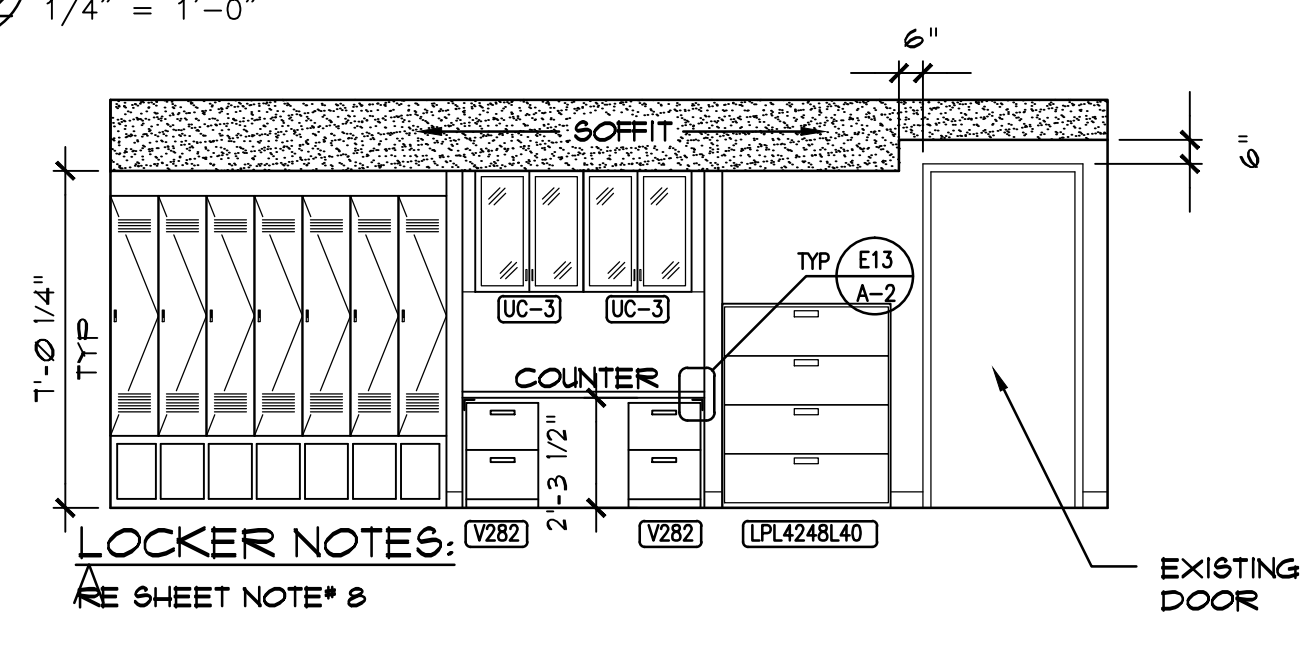
L1 ELEVATION
A-2
1/4" = 1'-0"



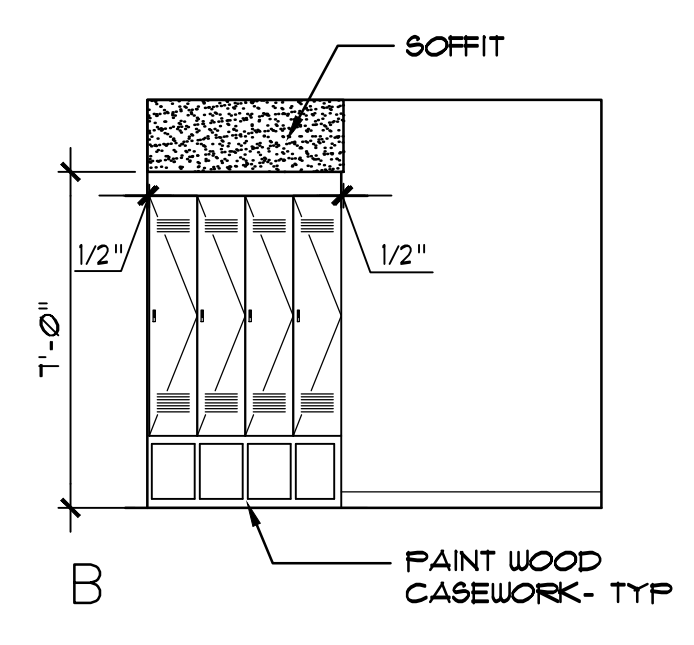
B



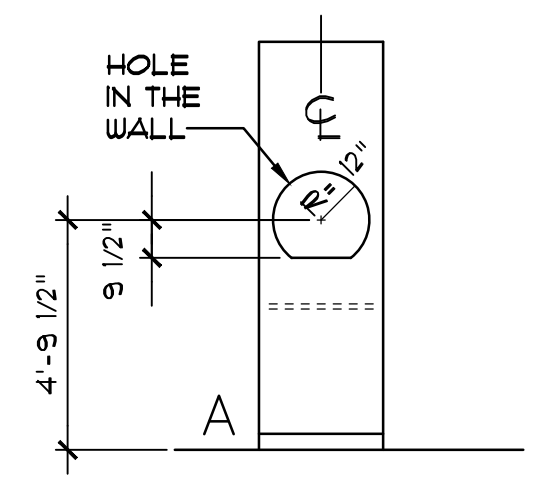
L11 ELEVATION
A-2
1/4" = 1'-0"



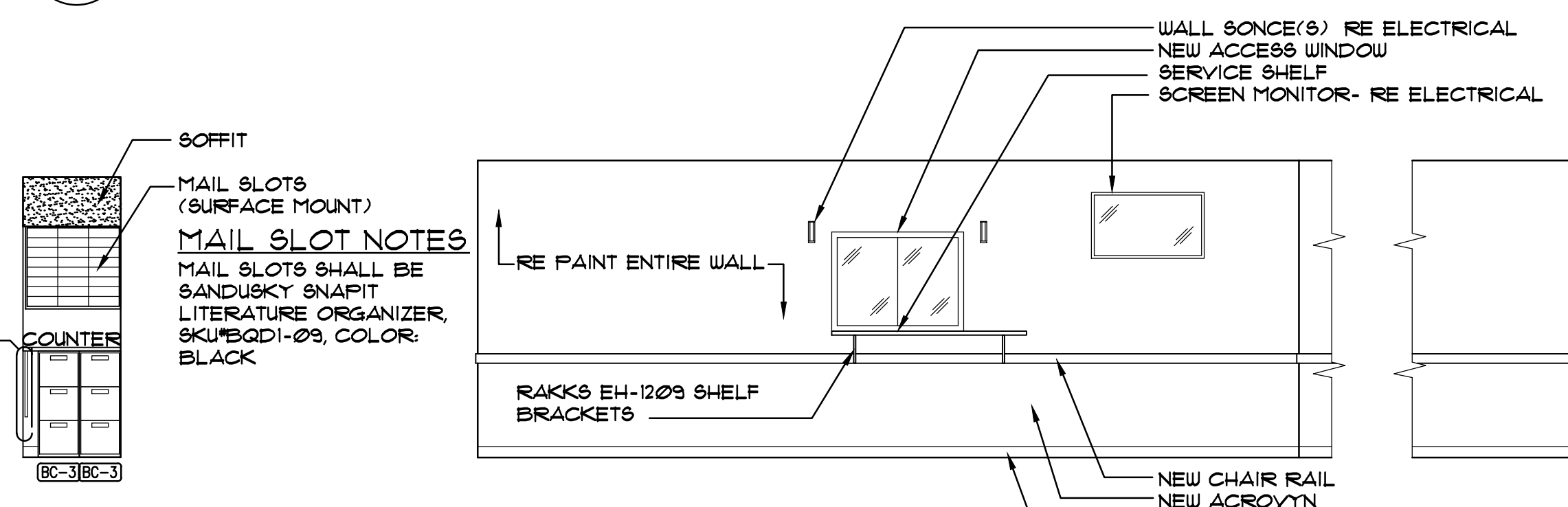
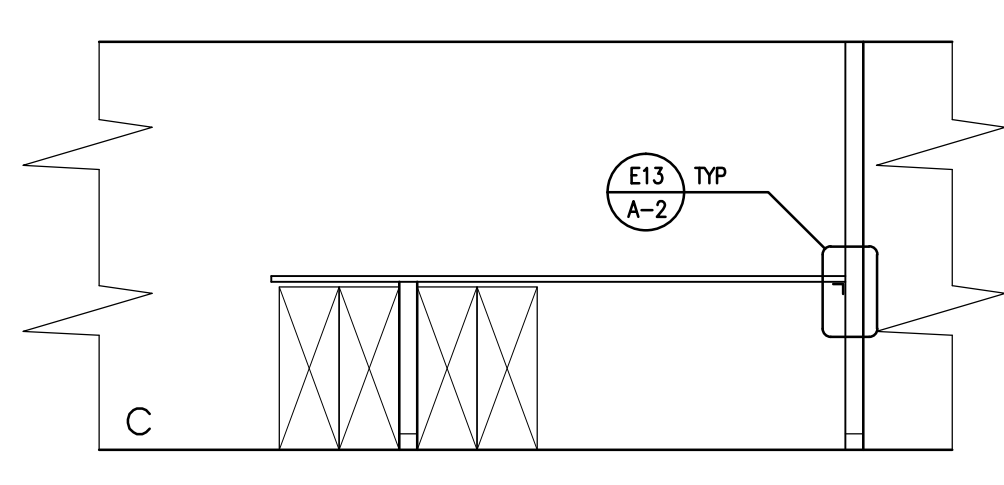
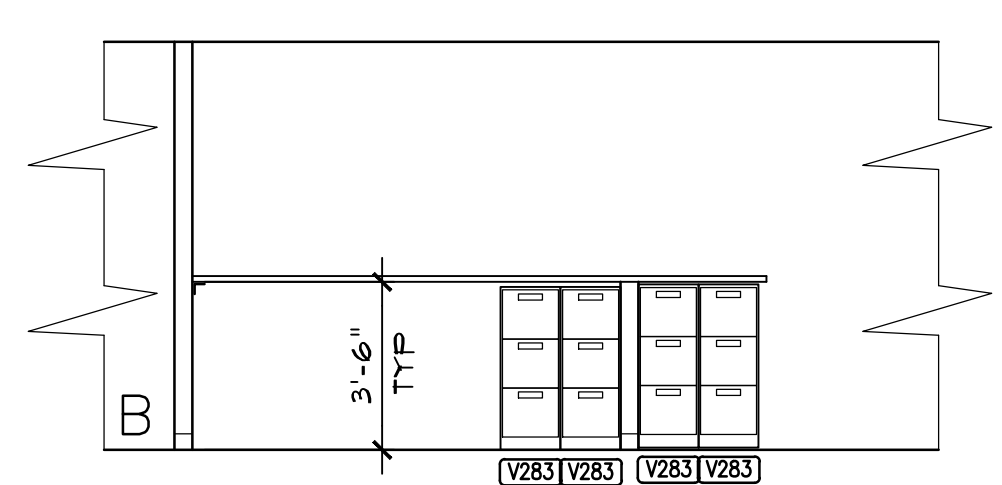
H1 ELEVATION
A-2
1/4" = 1'-0"



B
PAINT WOOD CASWORK - TYP



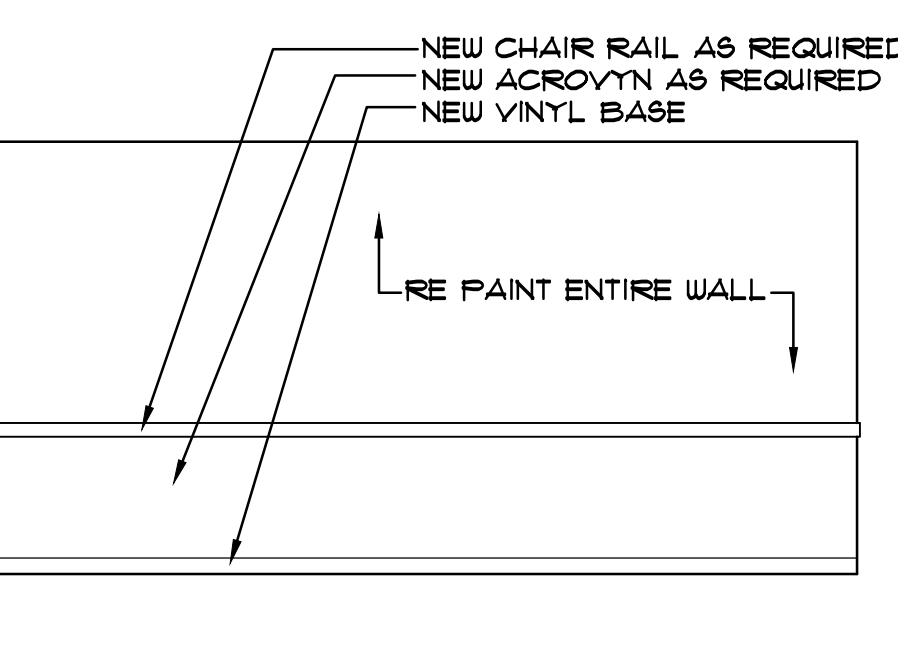
H8 ELEVATION
A-2
1/4" = 1'-0"



E1 ELEVATION
A-2
1/4" = 1'-0"

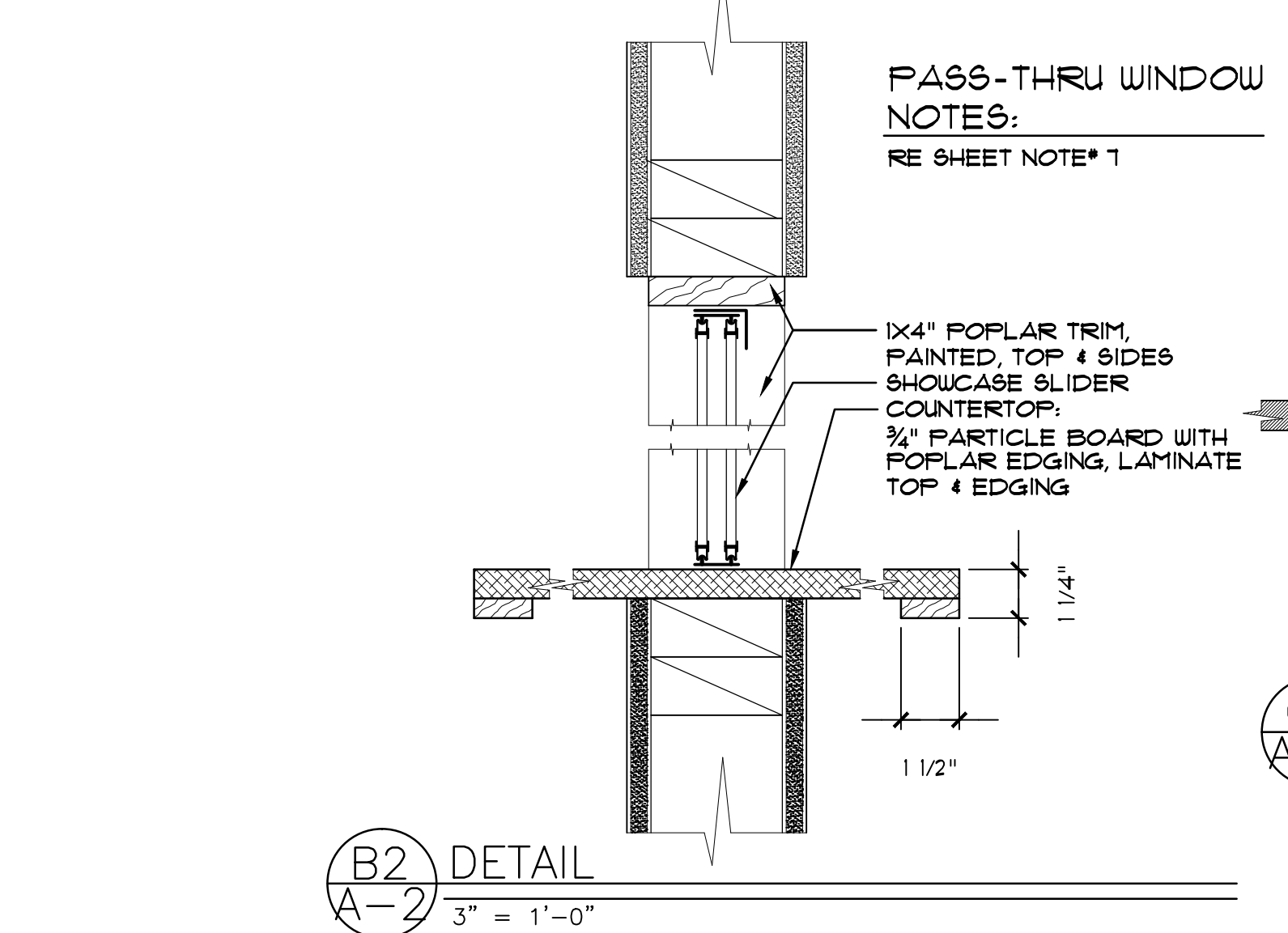
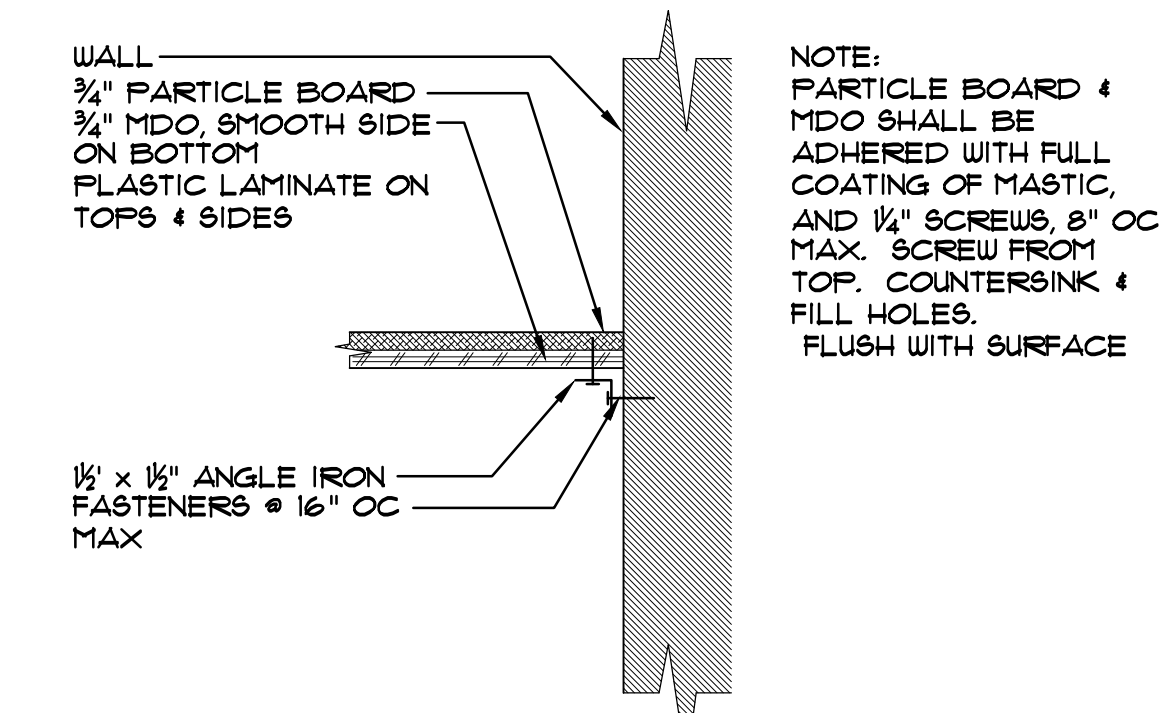
E4 ELEVATION
A-2
1/4" = 1'-0"

E8 ELEVATION
A-2
1/4" = 1'-0"

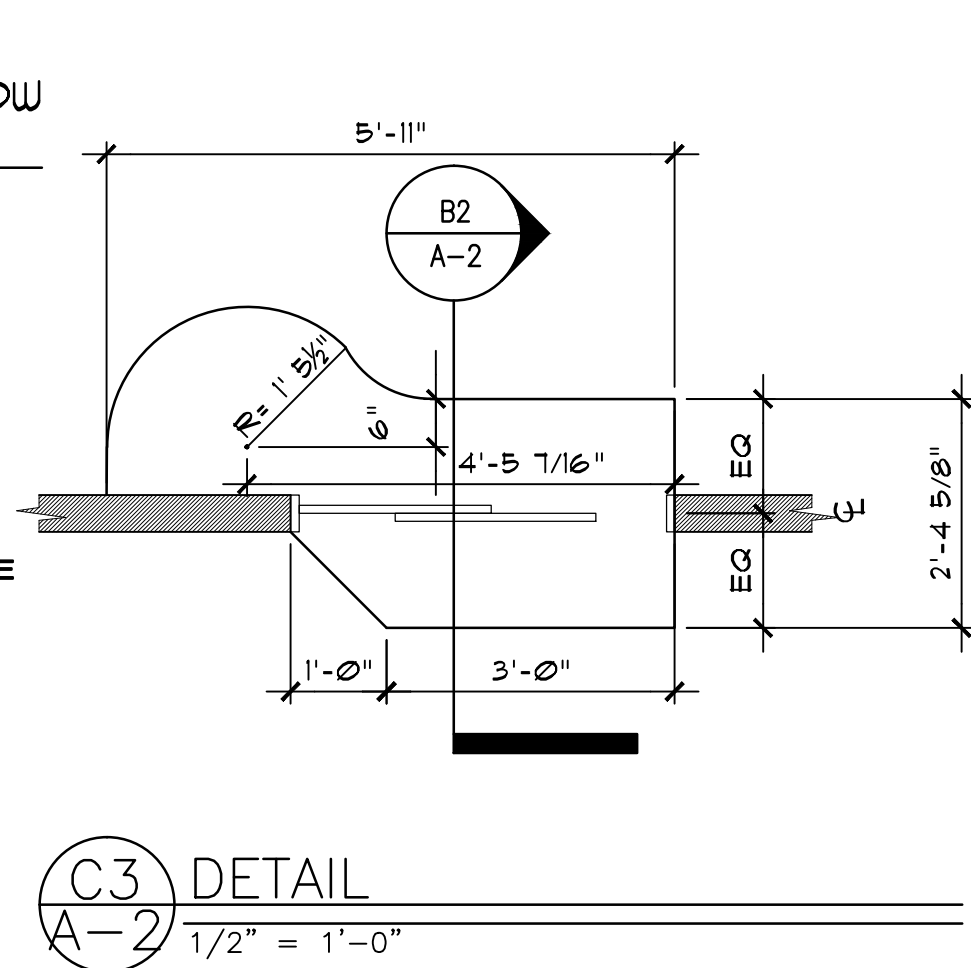


E11 ELEVATION
A-2
1/4" = 1'-0"

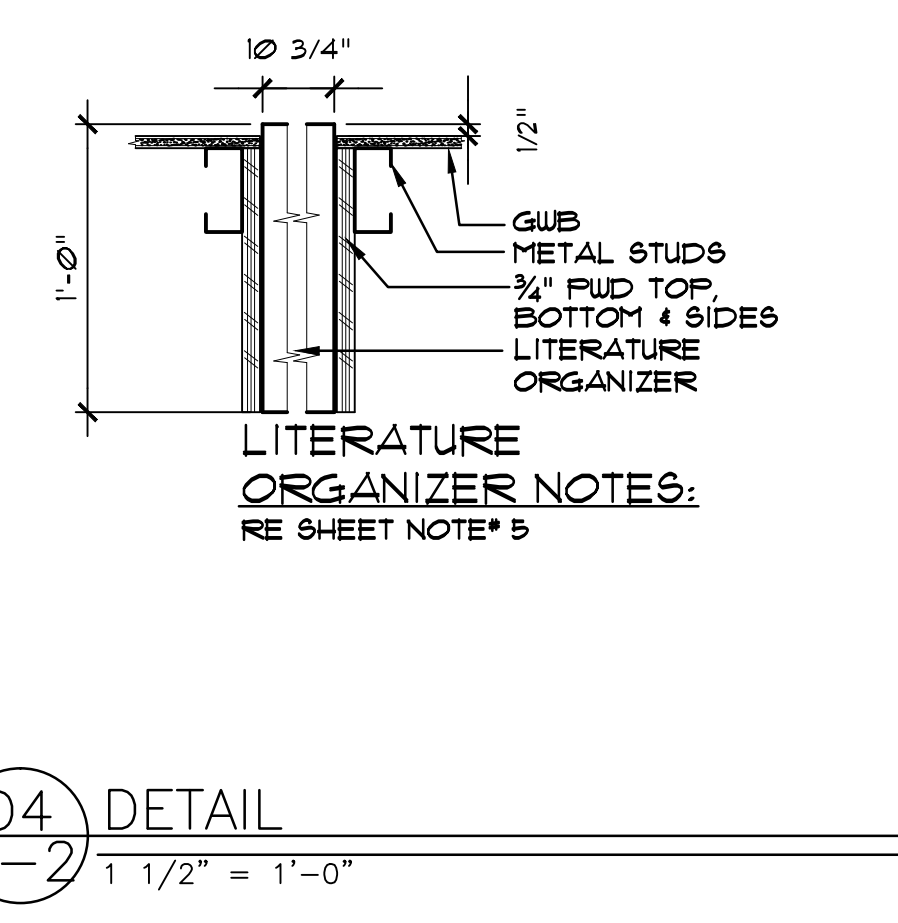
E13 TYPICAL DESK/ COUNTER DETAIL
A-2
1/2" = 1'-0"



B2 DETAIL
A-2
3" = 1'-0"



C3 DETAIL
A-2
1 1/2" = 1'-0"



D4 DETAIL
A-2
1 1/2" = 1'-0"

- SHEET NOTES:**
- SEE SHEET G-1 FOR LEGEND, ABBREVIATIONS & GENERAL NOTES.
 - ALL COUNTER TOPS & SHELVES SHALL HAVE PLASTIC LAMINATE FINISH.
 - UPPER CABINETS SHALL BE DYNASTY BY OMEGA CABINETS, MAPLE FRAME, CRANBERRY FINISH, PURITAN DOOR PROFILE INSIDE & OUT WITH SATIN GLOSS GLAZING, NO MULLIONS, FACTORY FINISH BOTTOM, COLOR TO MATCH. CONSULT WITH BONNIE EMMONS AT HAMMOND LUMBER 201- 553- 4830 (BEMMONS@HAMMONDLUMBER.COM). NO SUBSTITUTIONS.
 - WHITEBOARD SHALL BE DRYERASEBOARD.COM PORCELAIN STEEL MARKERBOARD #202AB (2'-0" H x 3'-0" W) OR ARCHITECT APPROVED EQUAL. NOTE: SPECIFY THAT TRAY SHALL BE MOVED TO SHORT SIDE WHEN ORDERING FOR VERTICAL MOUNT.
 - VERTICAL LITERATURE ORGANIZERS SHALL BE SAFCO #9419CY OR ARCHITECT APPROVED EQUAL. ORGANIZERS SHALL BE PAINTED BLACK. PROVIDE TWO.
 - MAIL SLOTS SHALL BE SANDUSKY SNAPIT LITERATURE ORGANIZER, SKUBQD1-03, COLOR: BLACK OR ARCHITECT APPROVED EQUAL.
 - PASS-THRU SLIDER SHALL BE HAFELE, SLIDO DESIGN 25 IF G SYSTEM WITH 1/4" FROSTED GLASS. NO SUBSTITUTIONS.
 - LOCKERS SHALL BE FENCO #8801R, JET BLACK OR ARCHITECT APPROVED EQUAL.
 - BASE CABINETS SHALL BE TENNCO.
 - REQUESTS FOR ARCHITECT APPROVED EQUALS SHALL NOT BE ALLOWED AFTER BIDDING.

CABINET SCHEDULE				
CABINET NO.	WIDTH	HEIGHT	DEPTH	REMARKS
UC-1*	36	24	13	* REFERENCE SHEET NOTE# 3
UC-2*	27	24	13	* REFERENCE SHEET NOTE# 3
UC-3*	24	30	13	* REFERENCE SHEET NOTE# 3
V282*	14 1/8"	26 3/8"	28	* REFERENCE SHEET NOTE# 9
V283*	14 1/8"	38 3/4"	28	* REFERENCE SHEET NOTE# 9
LPL424840*	42	51 1/4"	17 7/8"	* REFERENCE SHEET NOTE# 9

General Notes

ISSUED FOR CONSTRUCTION
3/15/2014

No.	Revision/Issue	Date

Portland International Jetport
Facilities & Engineering
1001 Westbrook ST
Portland, ME 04102
207-874-8877

Project Name and Address
COMMUNICATIONS CENTER RENOVATIONS AT THE PORTLAND INTERNATIONAL JETPORT

Sheet Title
INTERIOR ELEVATIONS DETAILS

Project Number:
1402

Date: Issued For Construction
3/15/2014

Scale:
Reference Individual Drawings

Sheet:
A-2