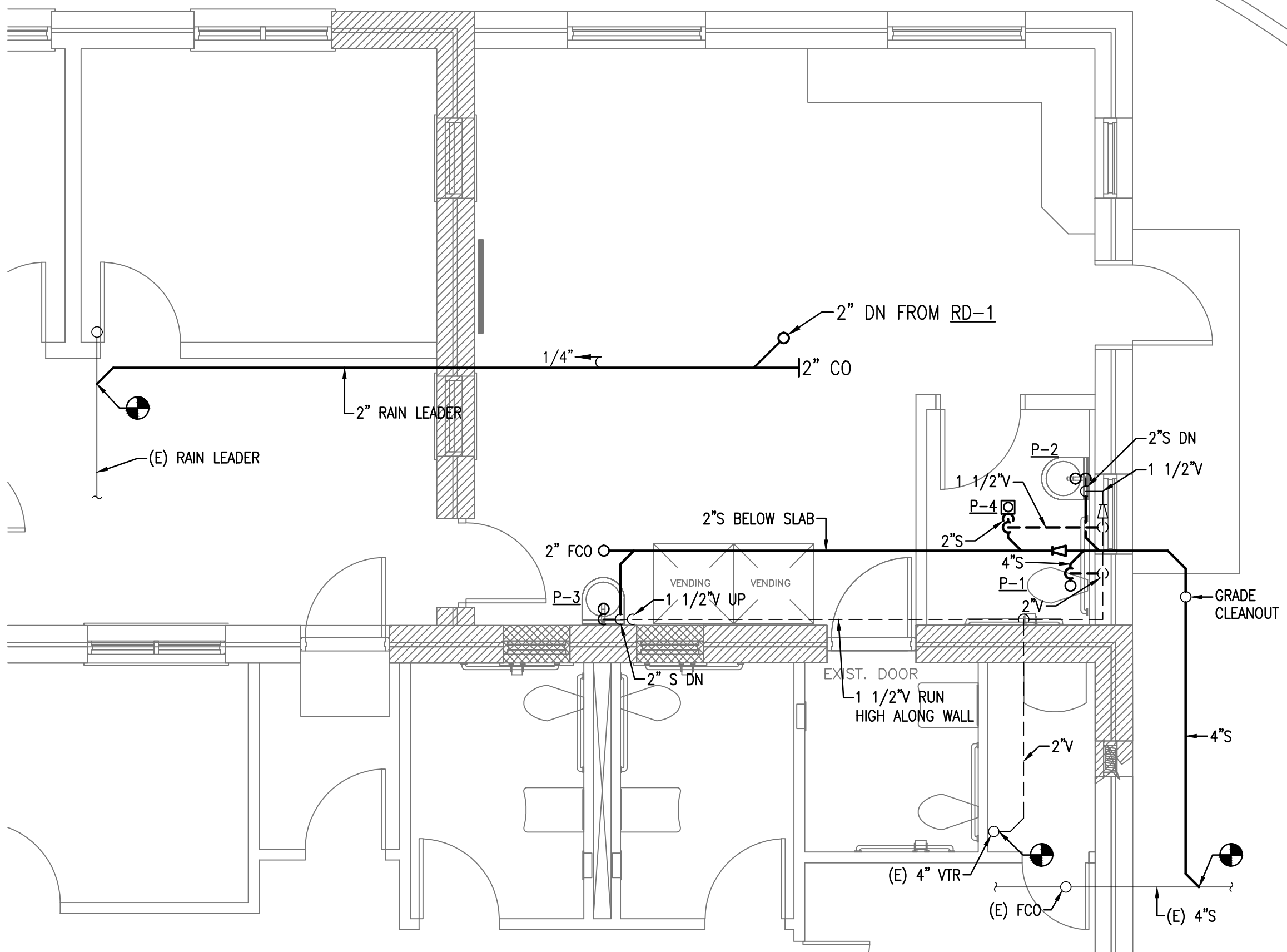
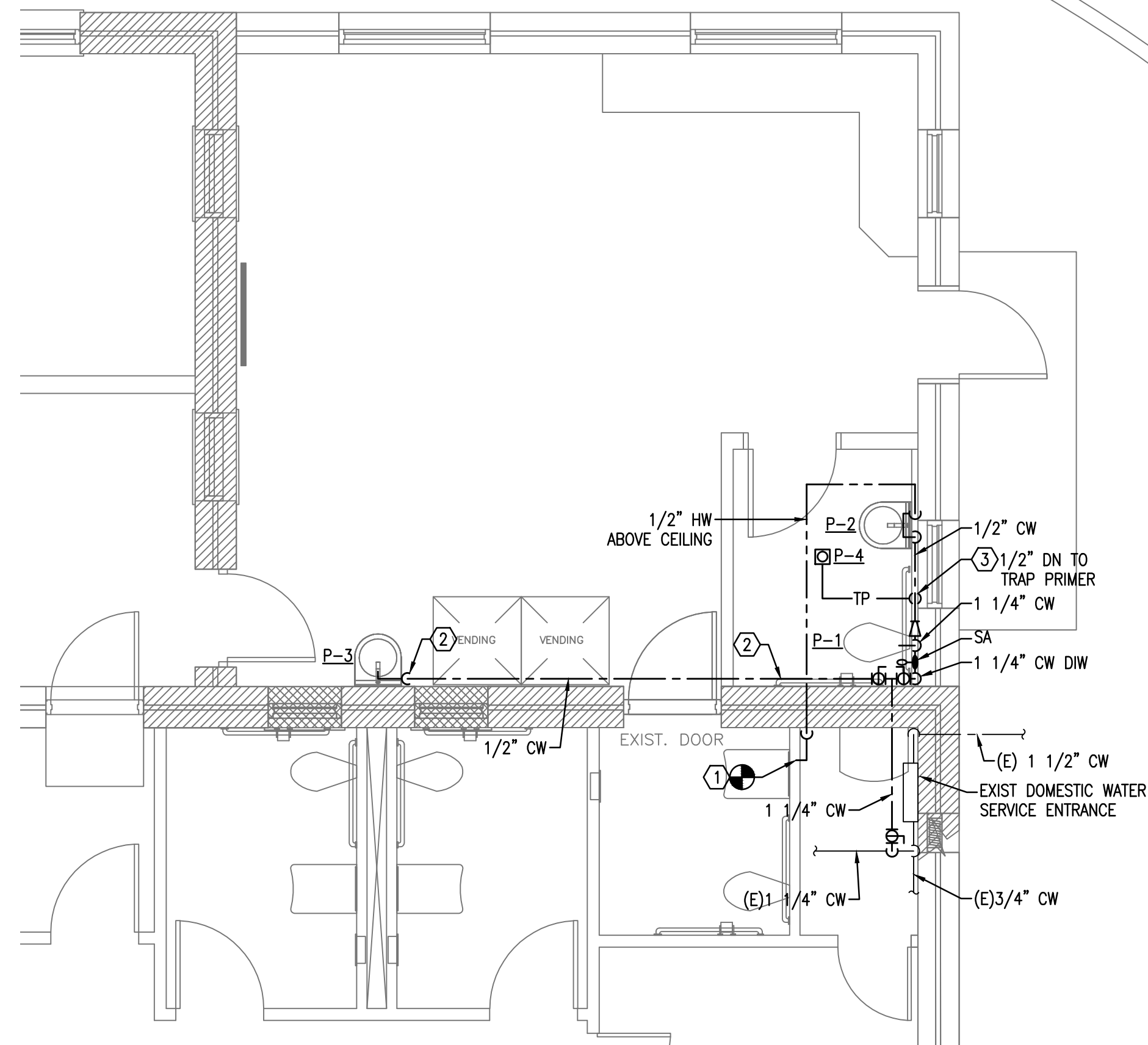


**KEYED NOTE:**

- ① CONNECT TO EXIST 1/2" HW SERVING EXIST WALL MOUNTED LAVATORY
- ② RUN 1/2" CW HIGH ALONG WALL PARALLEL TO 1 1/2" VENT PIPE. DROP EXPOSED ON WALL TO WALL MOUNTED SINK P-3.
- ③ PROVIDE ACCESS PANEL FOR TRAP PRIMER LOCATED IN WALL.

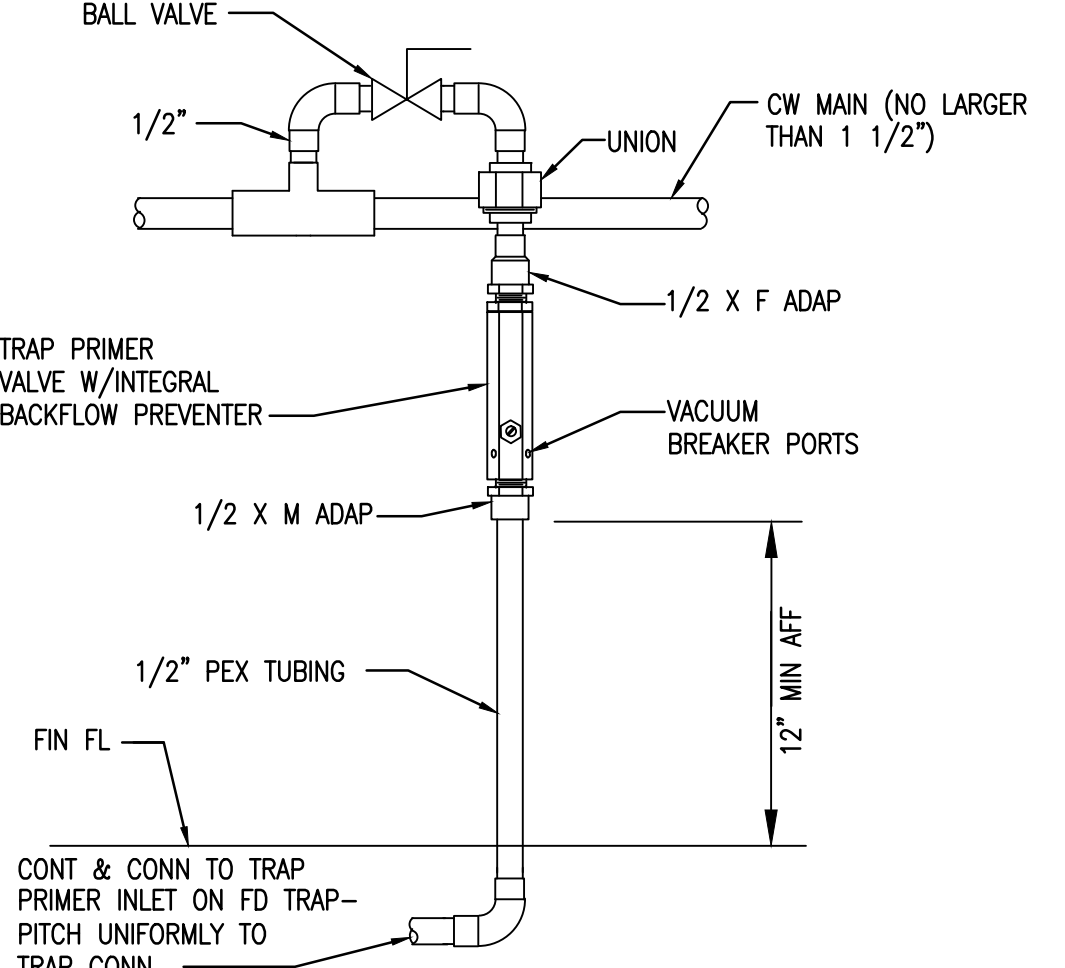


**G1 TAXI SHELTER SANITARY WASTE & VENT FLOOR PLAN**  
P-1 1/4" = 1'-0"

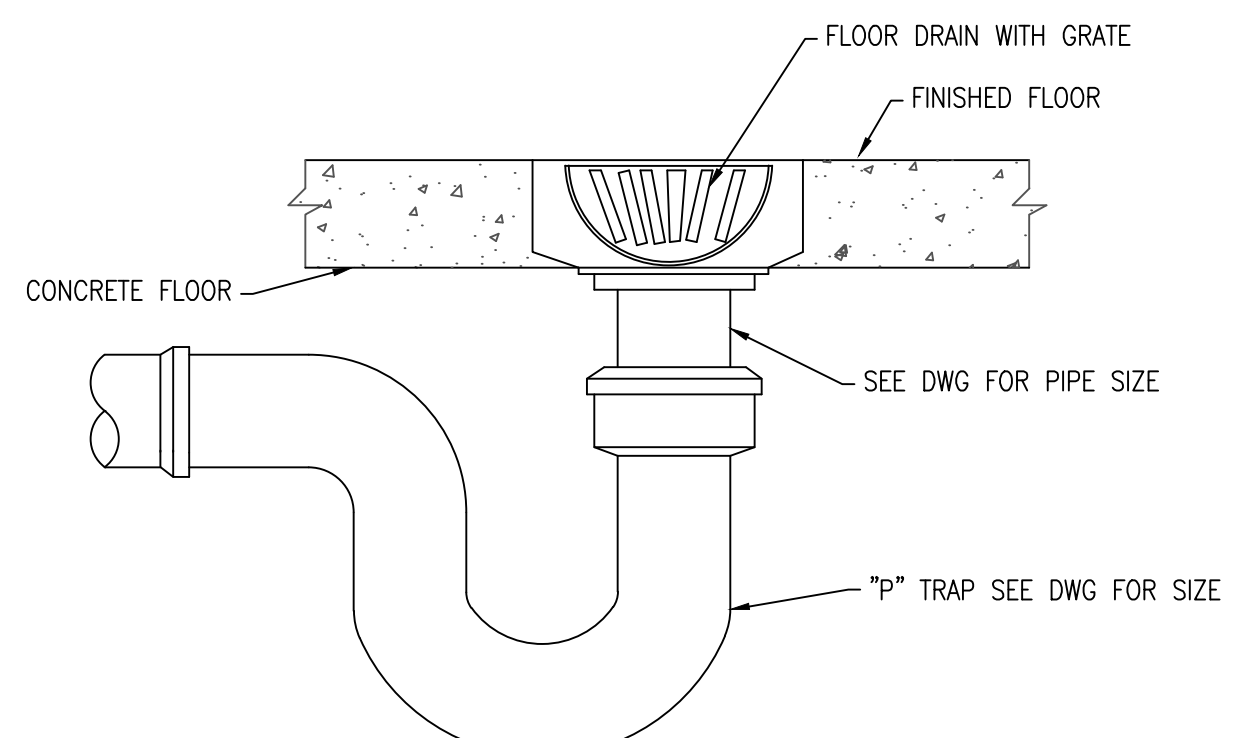


**G8 TAXI SHELTER DOMESTIC WATER FLOOR PLAN**  
P-1 1/4" = 1'-0"

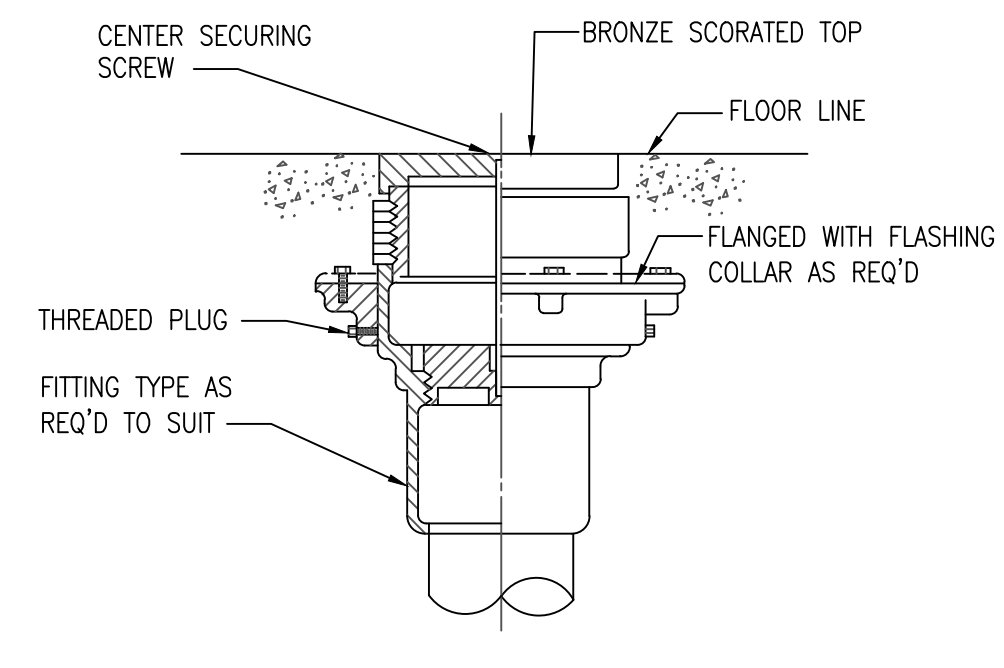
General Notes		
No.	Revision/Issue	Date



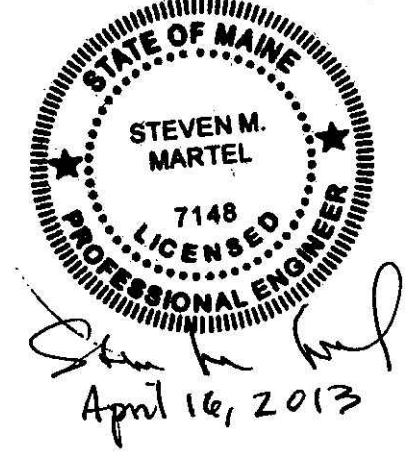
**A1 TRAP PRIMER DETAIL**  
P-1 NOT TO SCALE



**A6 FLOOR DRAIN DETAIL**  
P-1 NOT TO SCALE



**A10 FLOOR CLEANOUT DETAIL**  
P-1 NOT TO SCALE



**amec**  
511 Congress St., Suite 200, Portland ME 04101  
P: (207) 775-5401 F: (207) 772-4762 www.amec.com

**PWM**  
PORTLAND INTERNATIONAL  
Facilities & Engineering  
1001 Westbrook ST  
Portland, ME 04102  
207-874-8877

Project Name and Address  
**TAXI CAB WAITING ROOM AT PWM**

Sheet Title  
**PLUMBING PLANS & DETAILS**

Project Number: 13-103  
Date Issued For Construction: 04/18/2013  
Scale: Reference Individual Drawings  
Sheet: P-1