

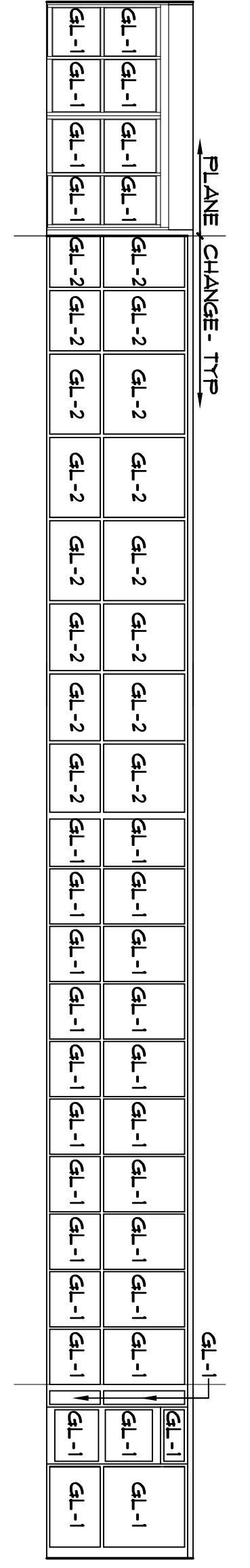
- GLAZING LEGEND:**
- GL-1 CLEAR 1/4" TEMPERED
  - GL-2 FROSTED 1/4" TEMPERED
  - GL-3 FROSTED 3/8" TEMPERED

- SHEET NOTES:**
1. SEE SHEET G-1 FOR LEGEND, ABBREVIATIONS & GENERAL NOTES.
  2. ALL NEW HANDRAILS SHALL BE XXXX STAINLESS STEEL
  2. RESERVED

General Notes  
**ISSUED FOR CONSTRUCTION**  
 11/5/2012



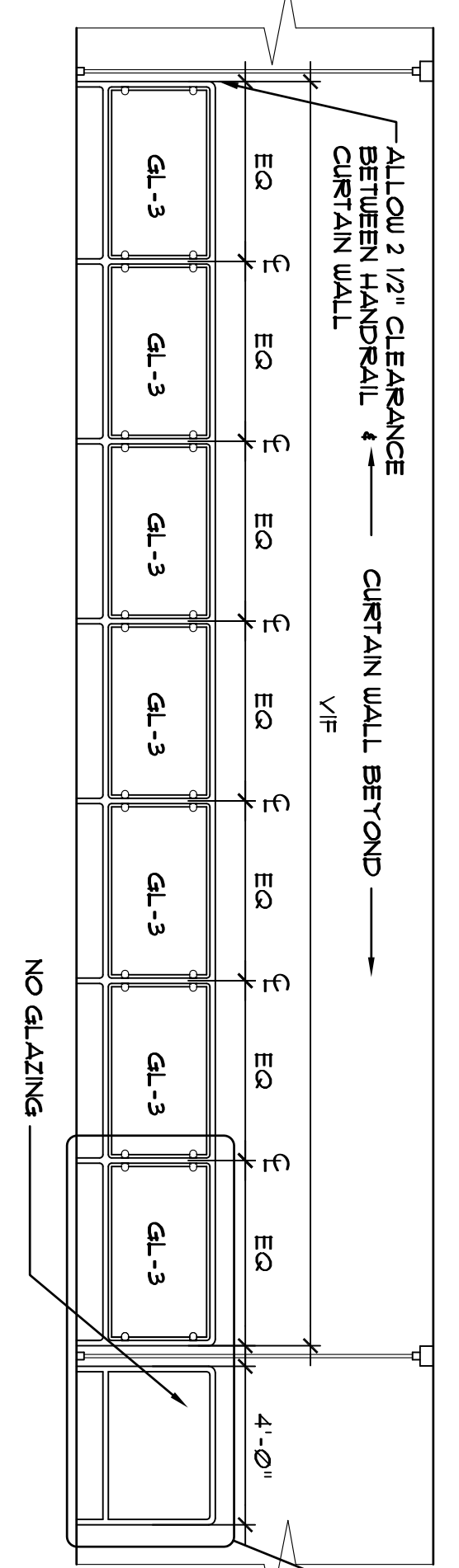
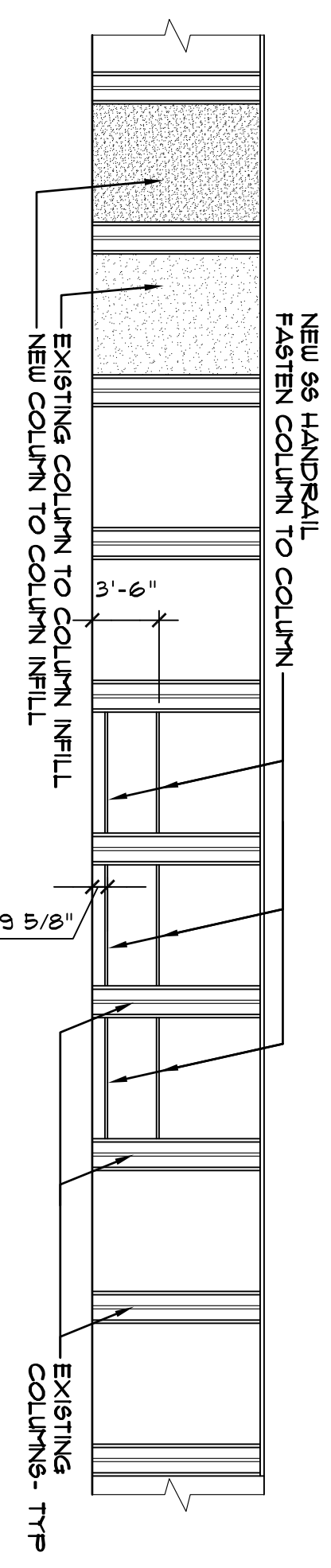
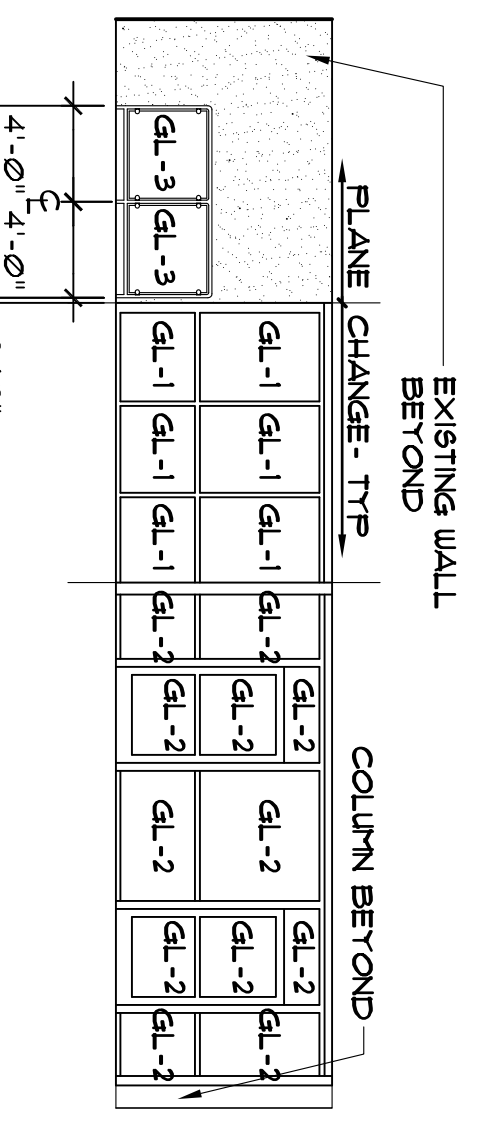
**K1** ELEVATION: SEP SECOND FLOOR NORTH  
 A-3 1/8" = 1'-0"



**H1** ELEVATION: SEP SECOND FLOOR SOUTH  
 A-3 1/8" = 1'-0"

**H8** SEP SECOND FLOOR EAST  
 A-3 1/8" = 1'-0"

**H10** ELEVATION: HOLD ROOM SECOND FLOOR NORTH  
 A-3 1/8" = 1'-0"



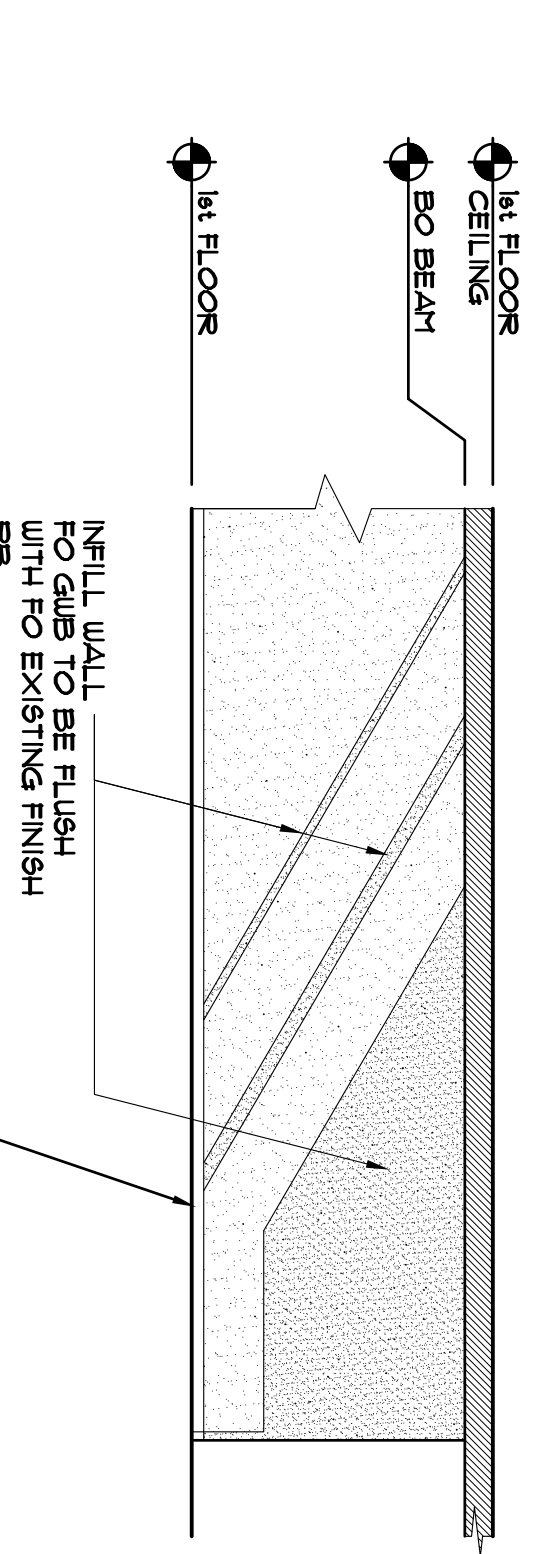
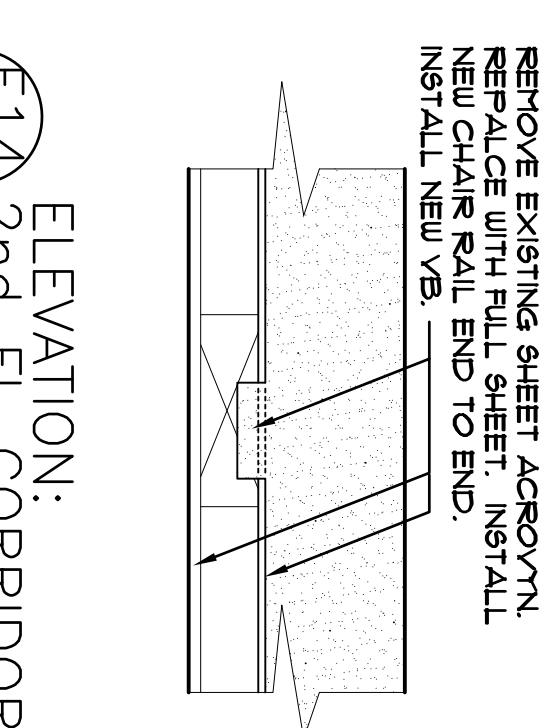
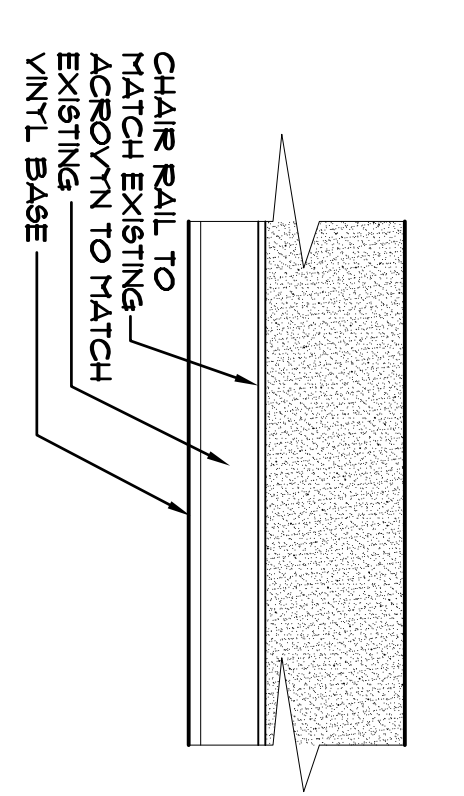
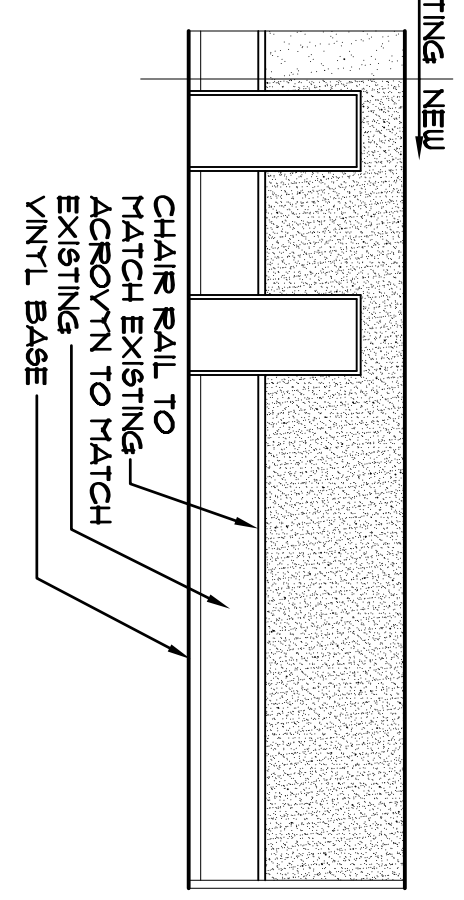
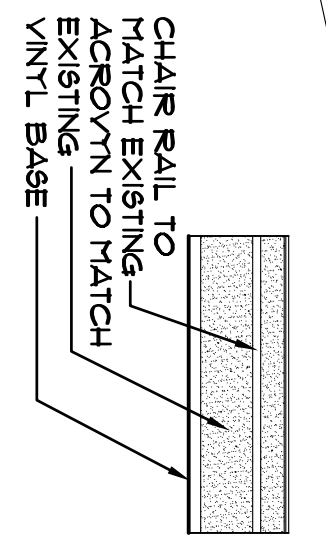
**E1** SECOND FLOOR SEP INTERIOR HANDRAIL DIVIDER  
 A-3 1/4" = 1'-0"  
 NOTE: SEE D5/A4 FOR ADDITIONAL HANDRAIL INFORMATION

**E6** ELEVATOR ENCLOSURE  
 A-3 1/8" = 1'-0"

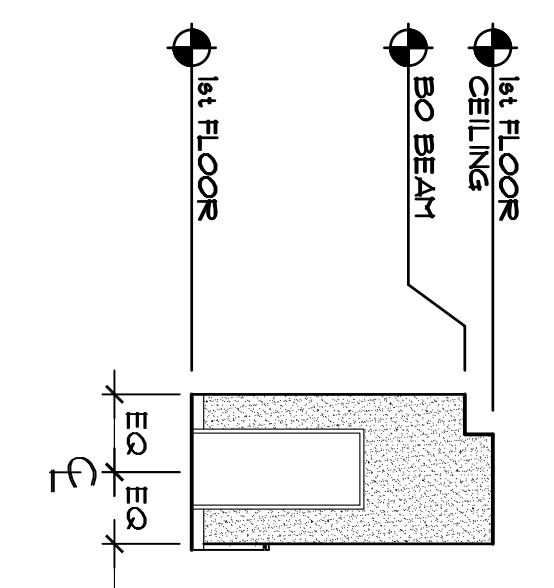
**E8** 2nd FLOOR N. SIDE  
 A-3 1/8" = 1'-0"

**E12** 2nd FL @ COMM CENTER  
 A-3 1/8" = 1'-0"

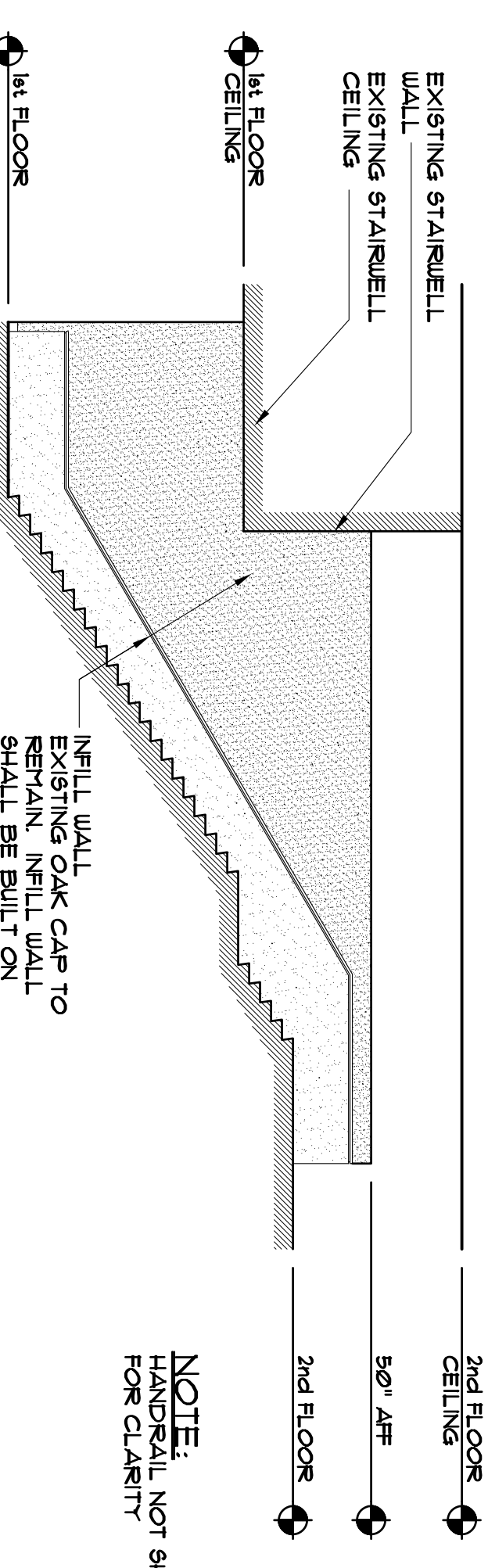
**E14** 2nd FL CORRIDOR  
 A-3 1/8" = 1'-0"  
 NOTE: DETAIL LOCATION IS IDENTIFIED ON A-5



**A1** ELEVATION: FIRST FLOOR SOUTH  
 A-3 1/8" = 1'-0"



**A6** ELEVATION: FIRST FLOOR EAST  
 A-3 1/8" = 1'-0"



**A9** ELEVATION: FIRST FLOOR NORTH  
 A-3 1/8" = 1'-0"

NOTE:  
 HANDRAIL NOT SHOWN FOR CLARITY

Project Name and Address <b>SECURE EXIT PORTAL AND ASSOCIATED RENOVATIONS</b>	Facilities & Engineering 1001 Westbrook ST Portland, ME 04102 207-874-8877	Project Number: 12-102 Drawn for Construction: 11/5/2012 Scale: Reference Vertical Drawings
Sheet Title <b>INTERIOR ELEVATIONS</b>	No. _____ Revision/Issue _____ Date _____	Sheet: <b>A-3</b>