



711 N. FIELDER RD.
ARLINGTON, TX 76012
PH: (817) 635-5696
FAX: (817) 635-5699

DRAWING ISSUE	DATE
75% SUBMITTAL	01.28.10
95% AIRPORT REVIEW	02.12.10
SUBMIT FOR PERMIT	02.26.10

CNBC NEWS
Portland International Jetport
1001 Westbrook Street
Portland, Maine



THE PARADISE SHOPS

SEAL:

REVIEWED & APPROVED BY: _____
PROJECT MANAGER INITIALS: T.L.
DATE: _____

NOTE:
THIS DOCUMENT CONTAINS COPYRIGHTED MATERIAL BELONGING EXCLUSIVELY TO PARADISE SHOP TEAM-ARCHITECTURE, LLC. UNAUTHORIZED REPRODUCTION, DISSEMINATION OR DUPLICATION OF ANY OF THE INFORMATION CONTAINED HEREIN MAY RESULT IN LIABILITY PURSUABLE BY LAW. IT IS THE RESPONSIBILITY OF THE USER AND SELECTOR OF THIS DOCUMENT TO ACT ON HIS BEHALF TO ENSURE THAT ALL DOCUMENTS ARE APPROVED BY AND FORWARDED BY THE RELEVANT DEPARTMENT. WE DO NOT ASSUME ANY RESPONSIBILITY OR LIABILITY FROM ANY PERSON, OR COMPANY, THAT REPRODUCES OR COMPUTER FILES WITHOUT SHOWING A RELEASE.

PROJECT NUMBER:

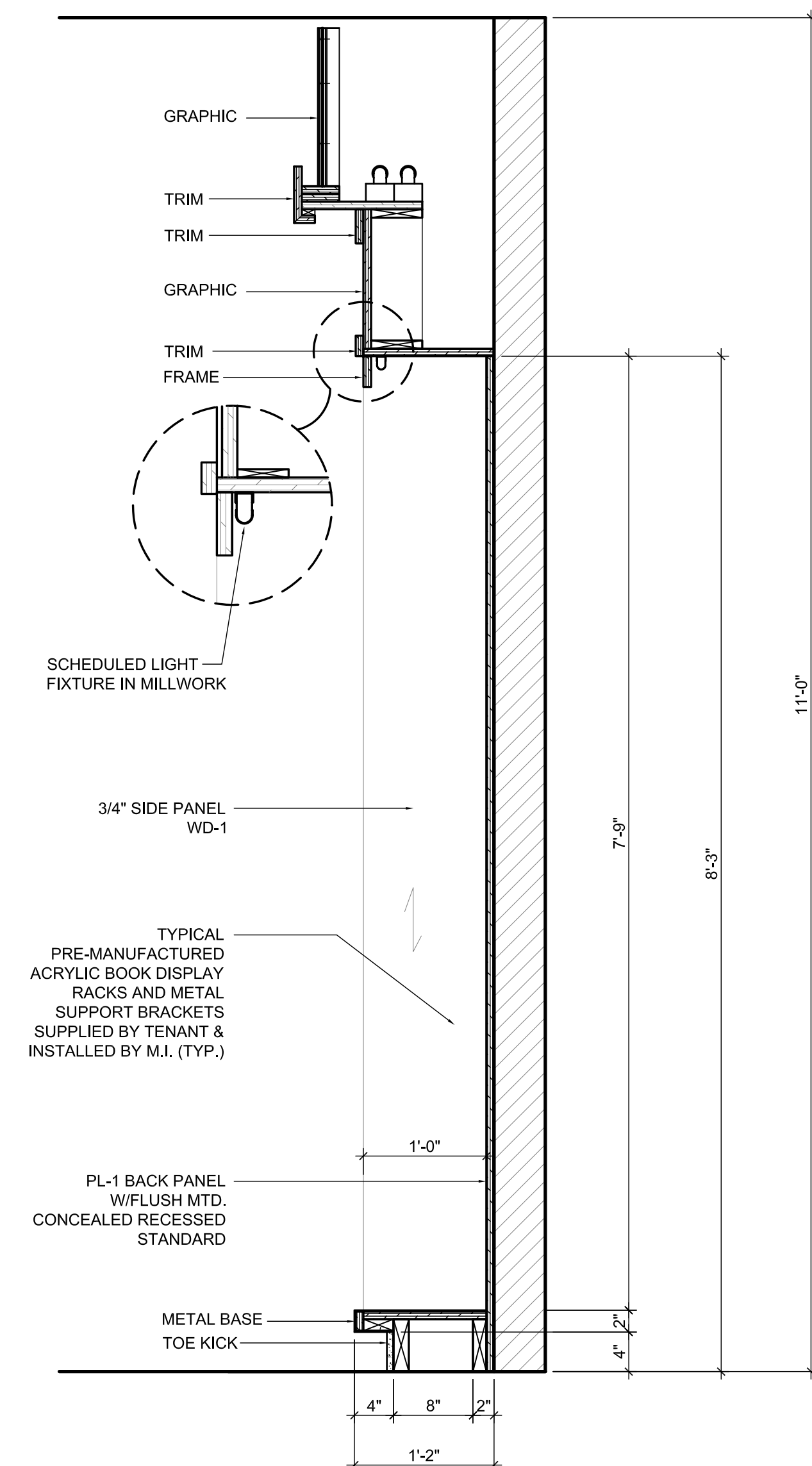
2777

DRAWING NAME:

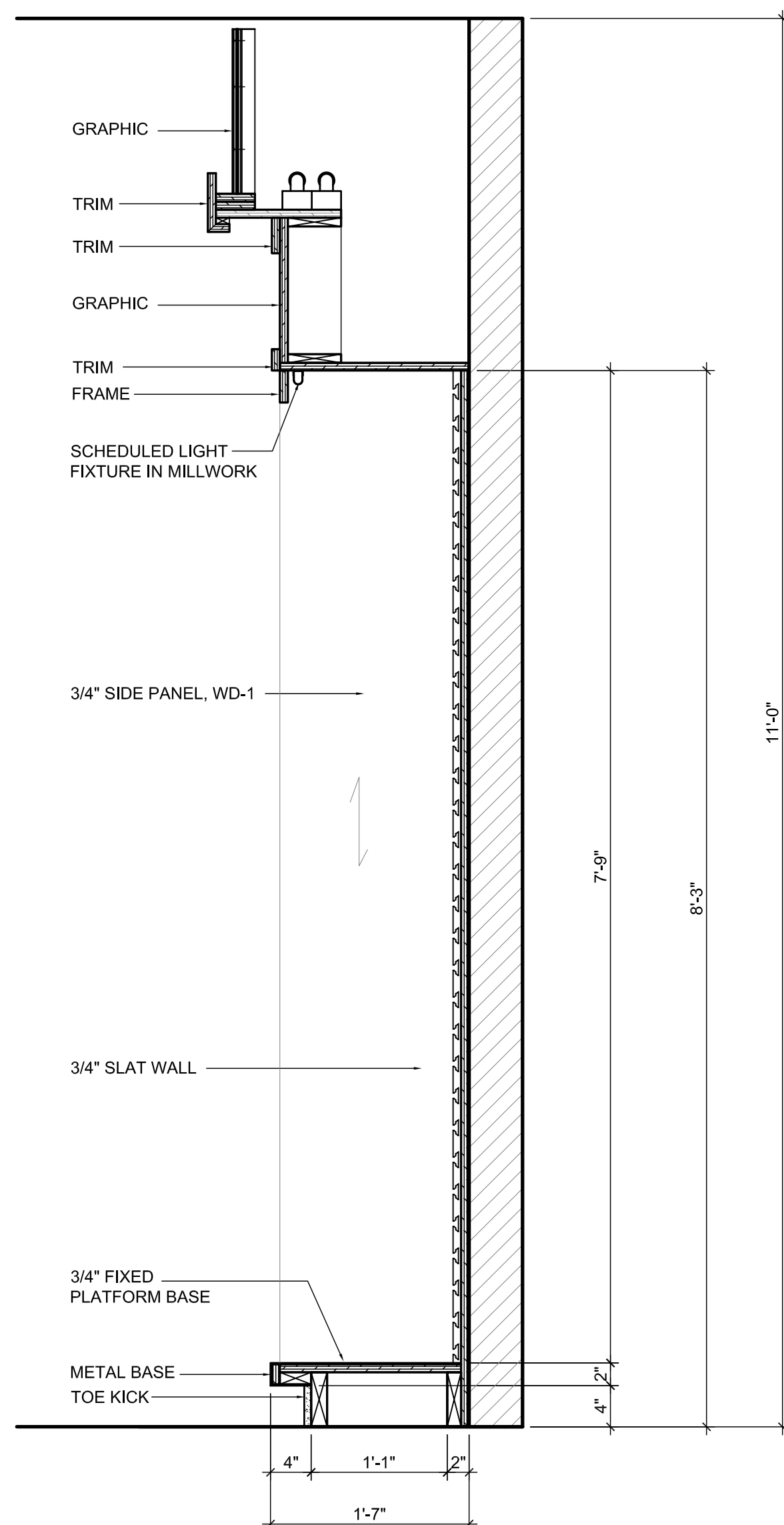
**Millwork
Sections**

DRAWING NUMBER:

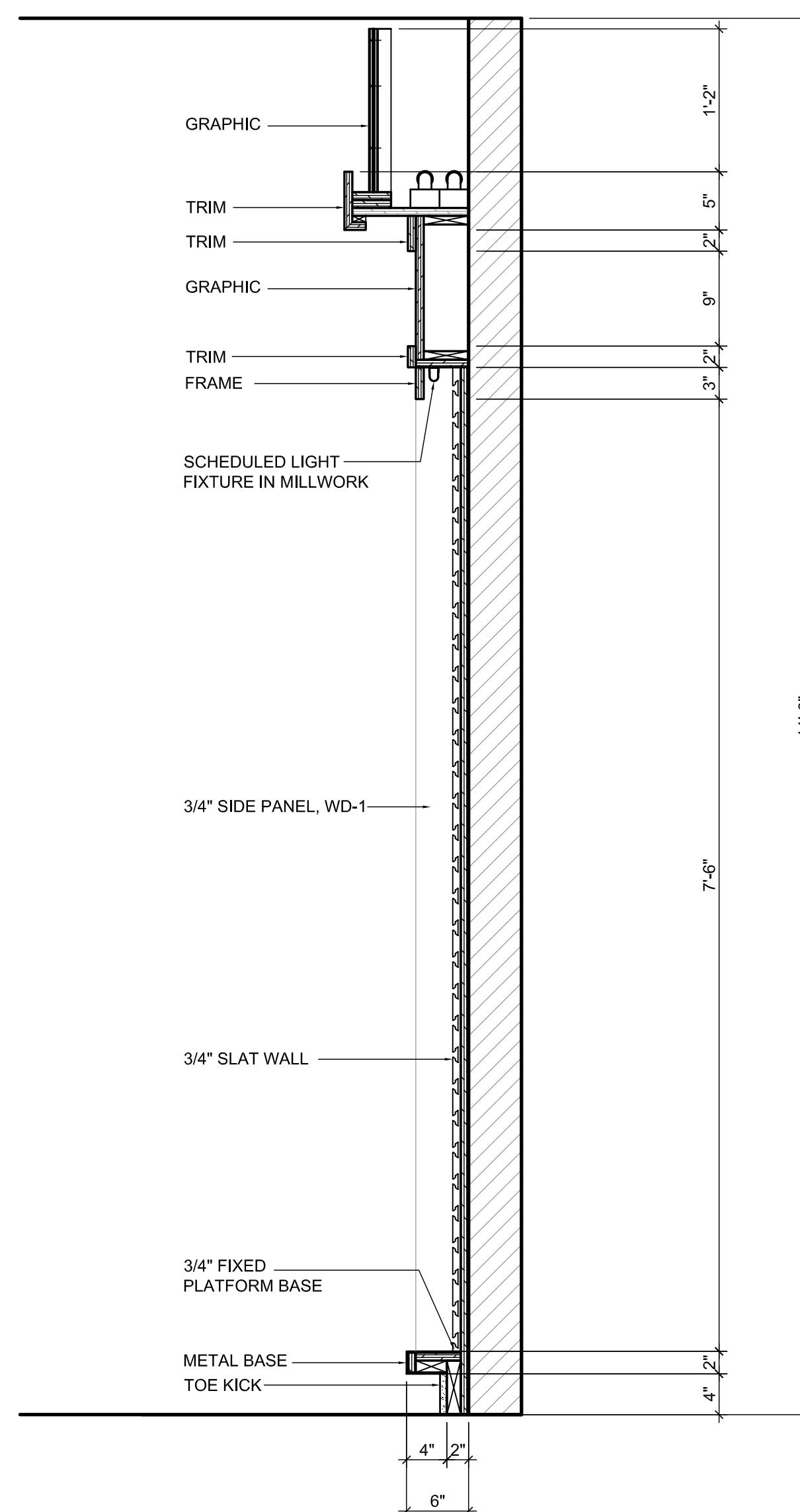
I-401



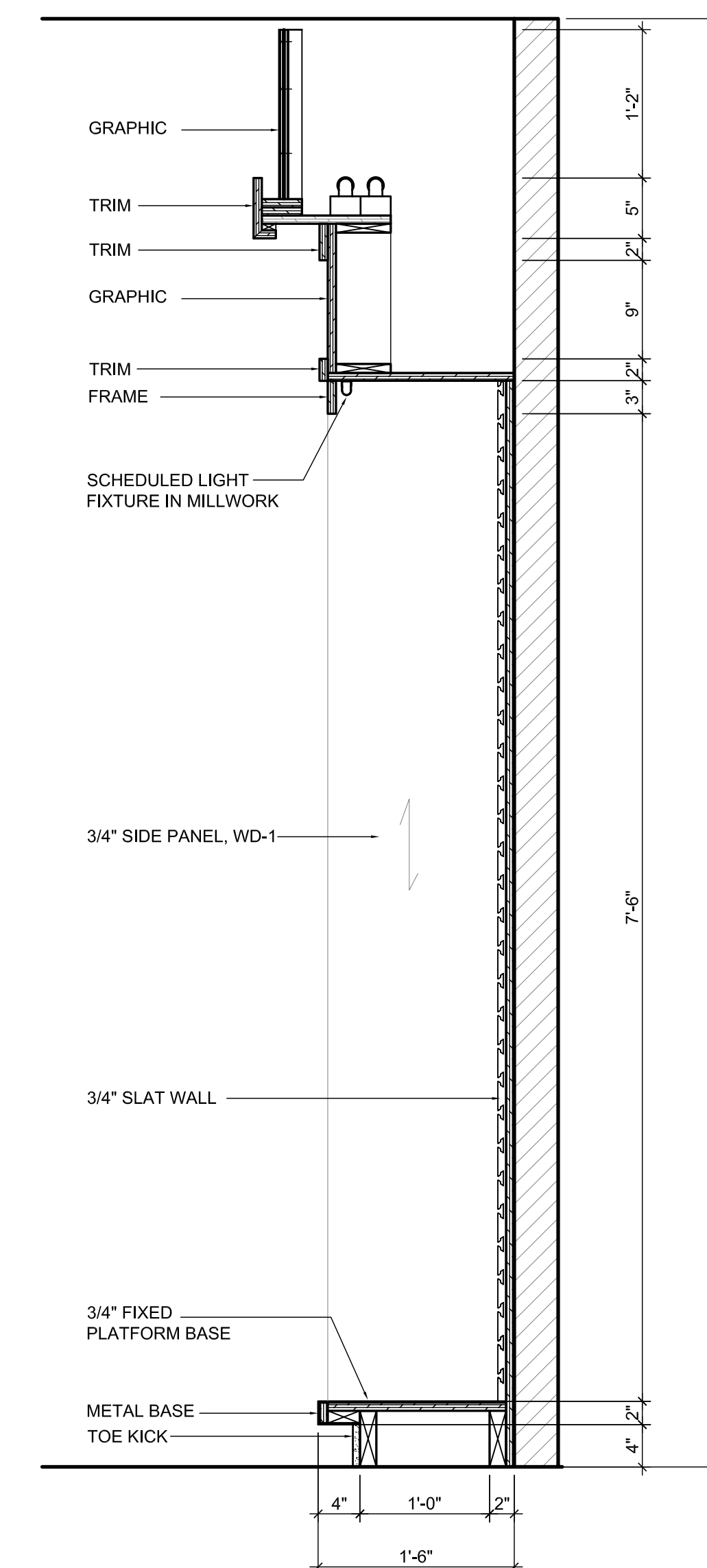
SECTION THRU BOOKS 1" = 1'-0" 4



SECTION THRU APPAREL 1" = 1'-0" 3



SECTION THRU SLAT WALL 1" = 1'-0" 2



SECTION THRU TRAVEL 1" = 1'-0" 1

NOTE:
1. ALL MILLWORK TO BE PROVIDED AND INSTALLED BY TENANT
2. WORLD GRAPHIC ACRYLIC PANEL AND SUPPORT SYSTEM PROVIDED AND INSTALLED BY S.C.
3. MILLWORKER TO COORDINATE PLACEMENT OF LIGHTING TO ALL DISPLAY UNITS WITH OWNER