

711 N. FIELDER RD.  
ARLINGTON, TX 76012  
PH: (817) 635-5696  
FAX: (817) 635-5699

DRAWING ISSUE	DATE
75% SUBMITTAL	01.28.10
95% AIRPORT REVIEW	02.12.10
SUBMIT FOR PERMIT	02.26.10

**CNBC NEWS**  
Portland International Jetport  
1001 Westbrook Street  
Portland, Maine



THE PARADISE SHOPS

SEAL:

REVIEWED & APPROVED BY: \_\_\_\_\_  
PROJECT MANAGER INITIALS: T.L.  
DATE: \_\_\_\_\_

NOTE:  
THIS DOCUMENT CONTAINS COPYRIGHTED MATERIAL BELONGING EXCLUSIVELY TO HOKER DESIGN TEAM ARCHITECTURE, LLC. UNAUTHORIZED USE, REPRODUCTION, DISSEMINATION, OR DUPLICATION OF ANY OF THE INFORMATION CONTAINED HEREIN MAY RESULT IN LIABILITY ENFORCEABLE BY LAW. IT IS THE RESPONSIBILITY OF THE USER TO OBTAIN NECESSARY PERMISSIONS TO ACT ON THE RESULTS. TO ENSURE THAT ALL DOCUMENTS ARE APPROVED BY AND FORWARDED BY THE ISSUING AGENCY, WE DO NOT ISSUE ANY RESPONSIBILITY OR LIABILITY FROM ANY PERSON, OR COMPANY, THAT RECEIVES OUR COMPUTER FILES WITHOUT SIGNING A RELEASE.

PROJECT NUMBER:

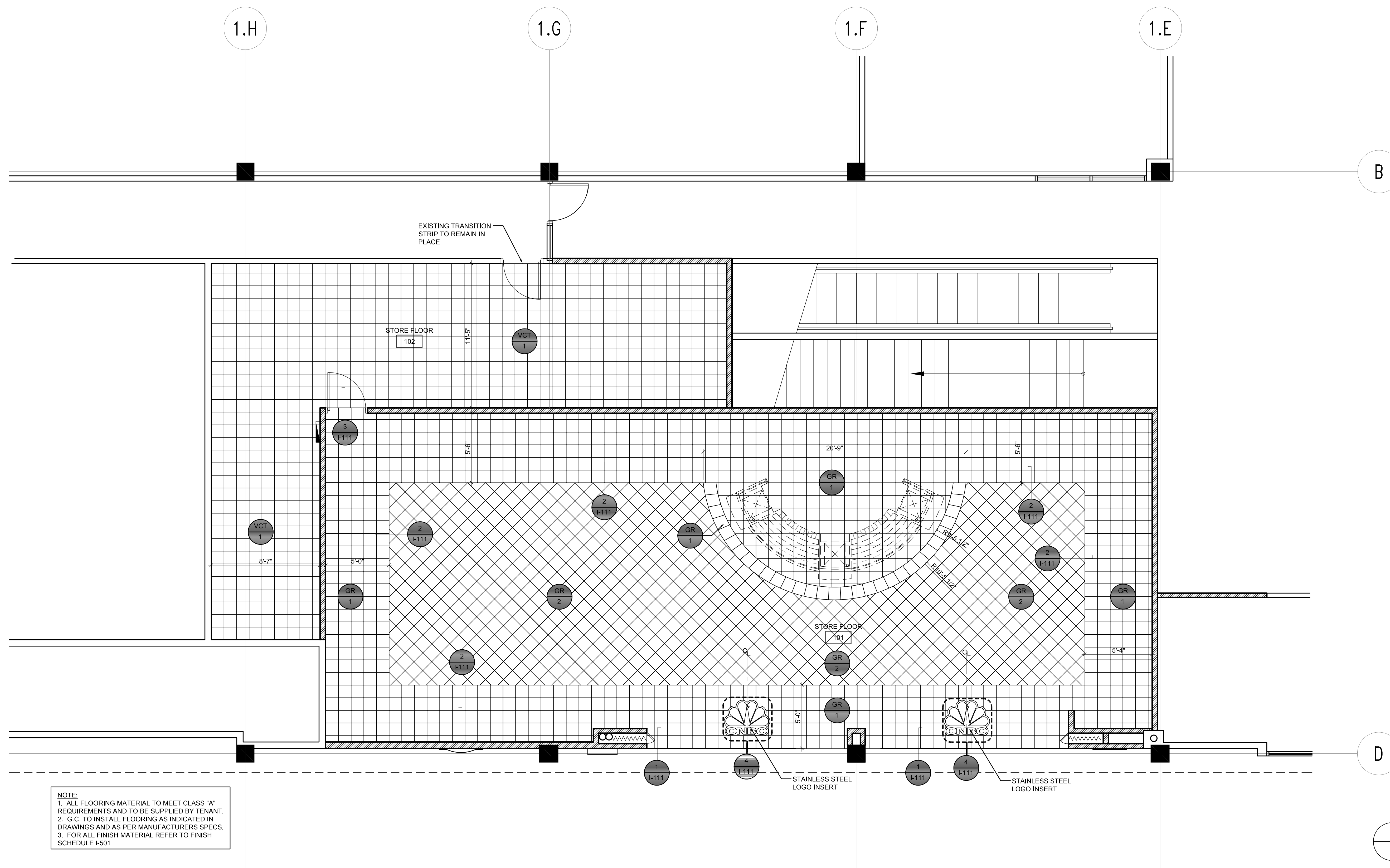
2777

DRAWING NAME:

**Floor  
Covering  
Plan**

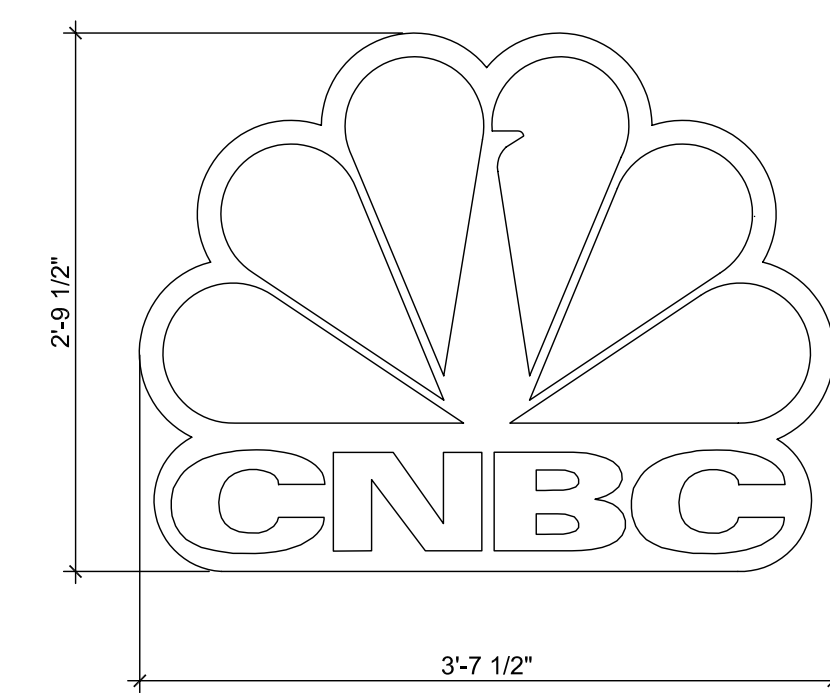
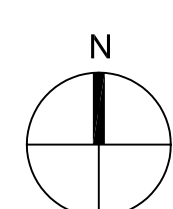
DRAWING NUMBER:

**I-111**

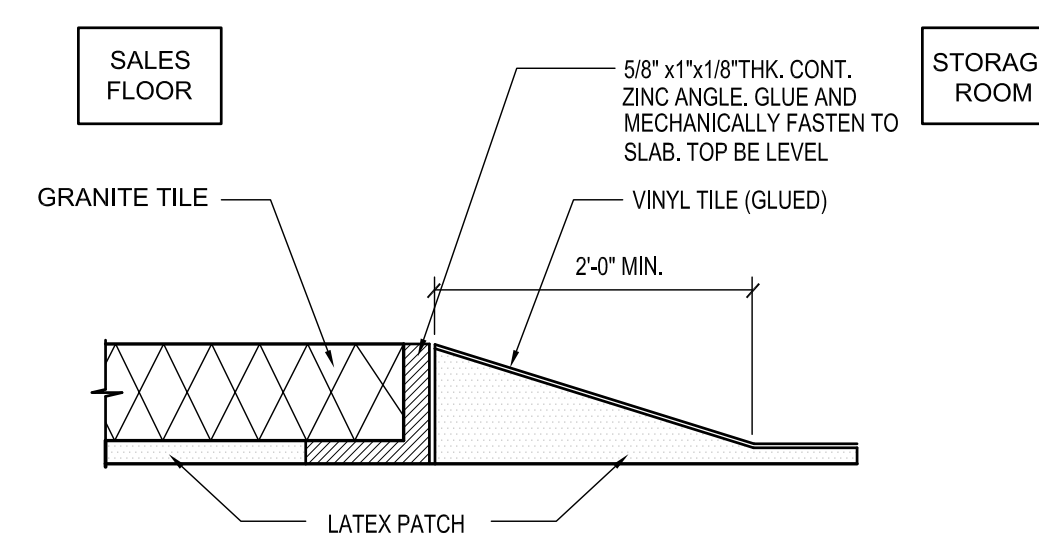


NOTE:  
1. ALL FLOORING MATERIAL TO MEET CLASS "A" REQUIREMENTS AND TO BE SUPPLIED BY TENANT.  
2. G.C. TO INSTALL FLOORING AS INDICATED IN DRAWINGS AND AS PER MANUFACTURERS SPECS.  
3. FOR ALL FINISH MATERIAL REFER TO FINISH SCHEDULE I-501

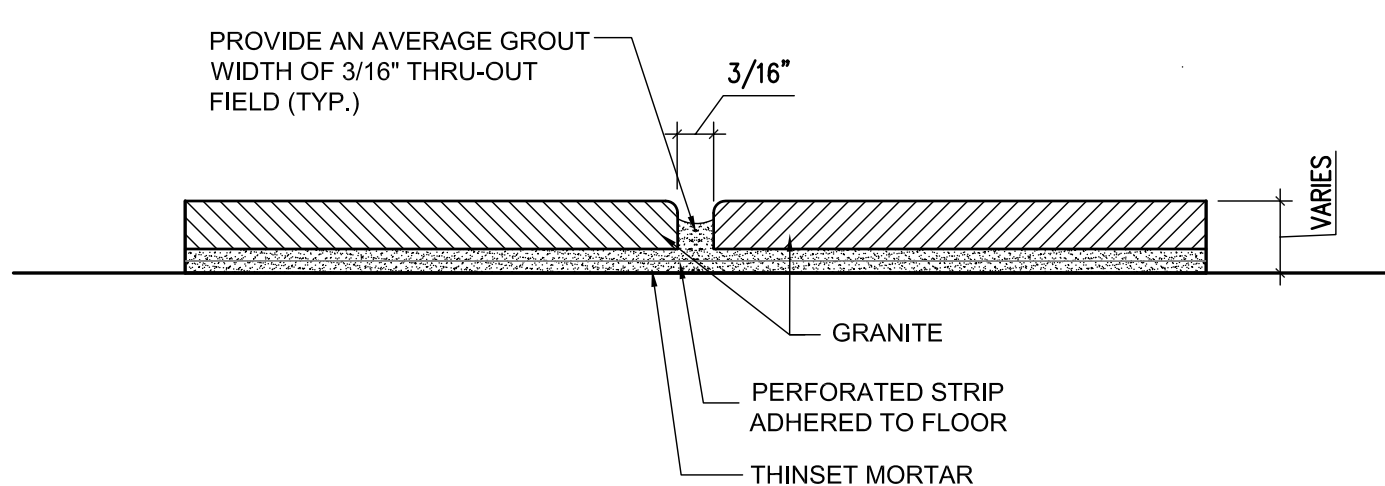
FLOOR COVERING PLAN 1/4" = 1'-0" 5



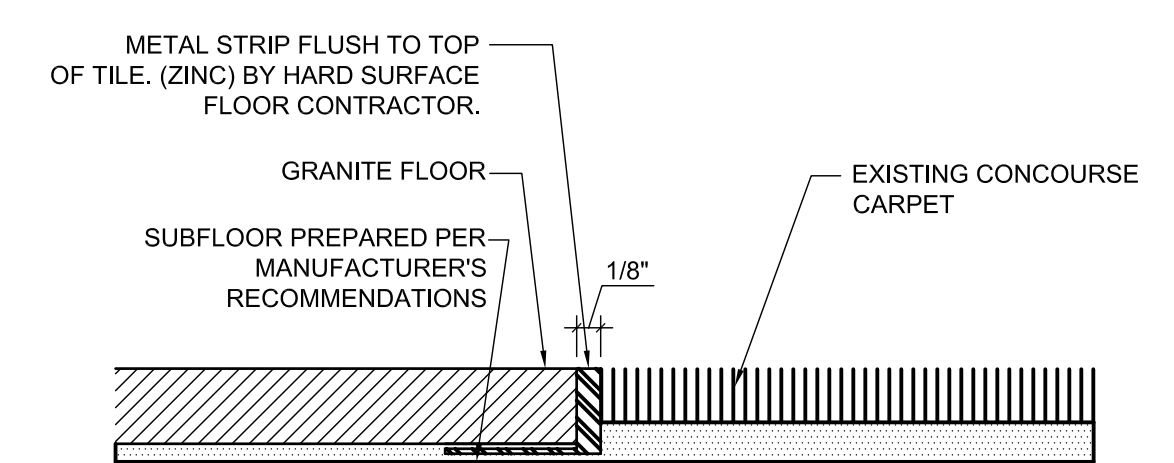
FLOOR INSERT DETAIL 1" = 1'-0" 4



GRANITE TO VINYL TILE FLOOR TRANSITION DETAIL 1" = 1'-0" 3



GRANITE TO GRANITE TRANSITION DETAIL 1" = 1'-0" 2



CONCOURSE FLOOR/GRANITE TRANSITION DETAIL 1" = 1'-0" 1