

DOOR & GATE SCHEDULE

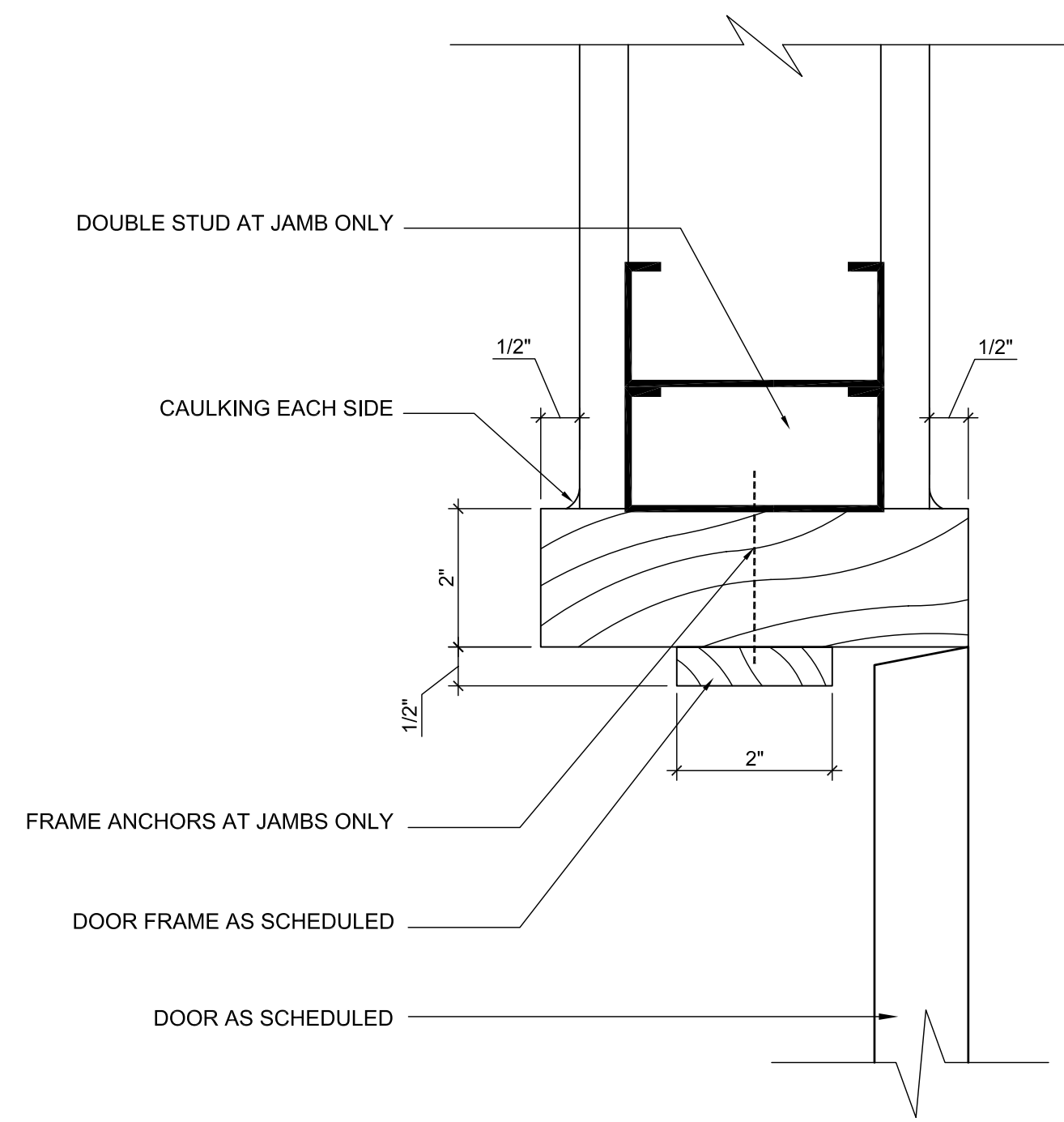
DOOR / GATE No.	ROOM NAME	DOOR / GATE						FRAME		DETAILS			RATING	HARDWARE	QUANTITY	REMARKS
		TYPE	SIZE			MATERIAL	FINISH	MATERIAL	THICKNESS	FINISH	HEAD	JAMB				
			WIDTH	HEIGHT	THICK											
101	STORE FLOOR	A	15'-10"	8'-0"	-	ALUMINUM	ALUMINUM	ALUMINUM	N/A	N/A	N/A	ALUMINUM	N/A	ALUMINUM	1	BI-FOLD GATE PROVIDED BY TENANT
102	STORE FLOOR	A	16'-1"	8'-0"	-	ALUMINUM	ALUMINUM	ALUMINUM	N/A	N/A	N/A	ALUMINUM	N/A	ALUMINUM	1	BI-FOLD GATE PROVIDED BY TENANT
103	STORE FLOOR	B	10"	8'-0"	-	WOOD	MT-2	N/A	N/A	N/A	N/A	N/A	BY CONTRACTOR	BY CONTRACTOR	2	ACCESS DOOR PROVIDED BY CONTRACTOR
104	STORAGE	C	36"	6'-8"	1 3/4"	WOOD	PAINT/P-1	WOOD	2"	PAINT	2/A-601	2/A-601	N/A	BY CONTRACTOR	1	PROVIDED AND INSTALLED BY CONTRACTOR



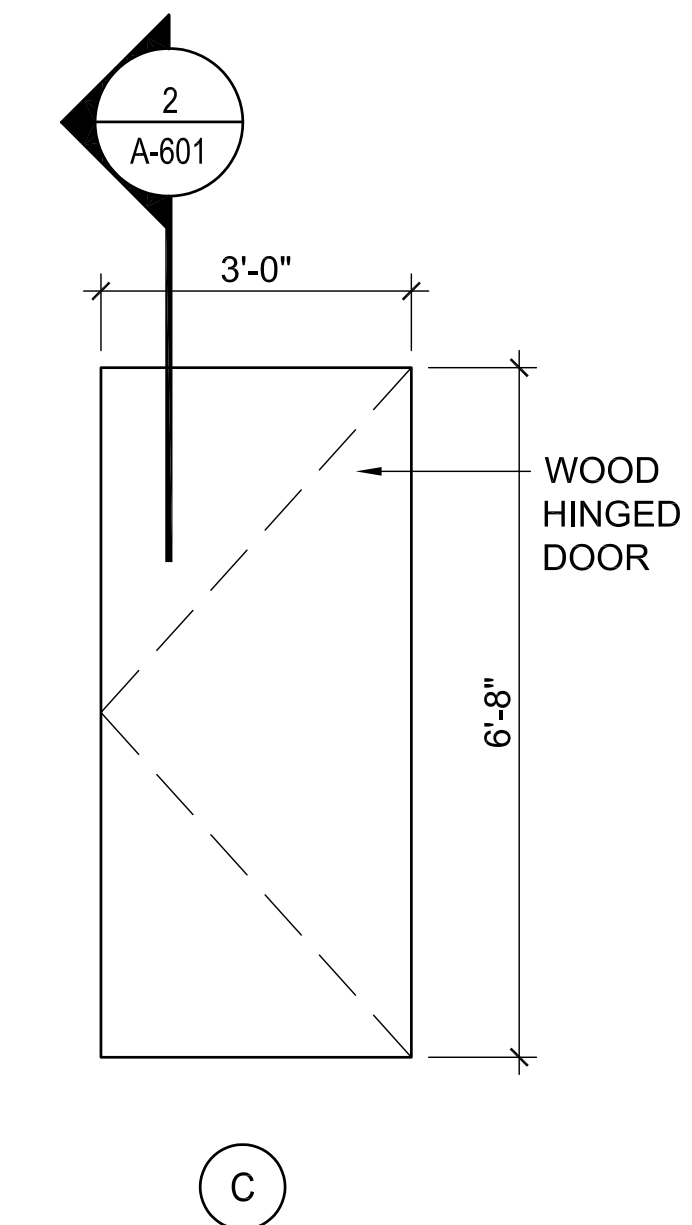
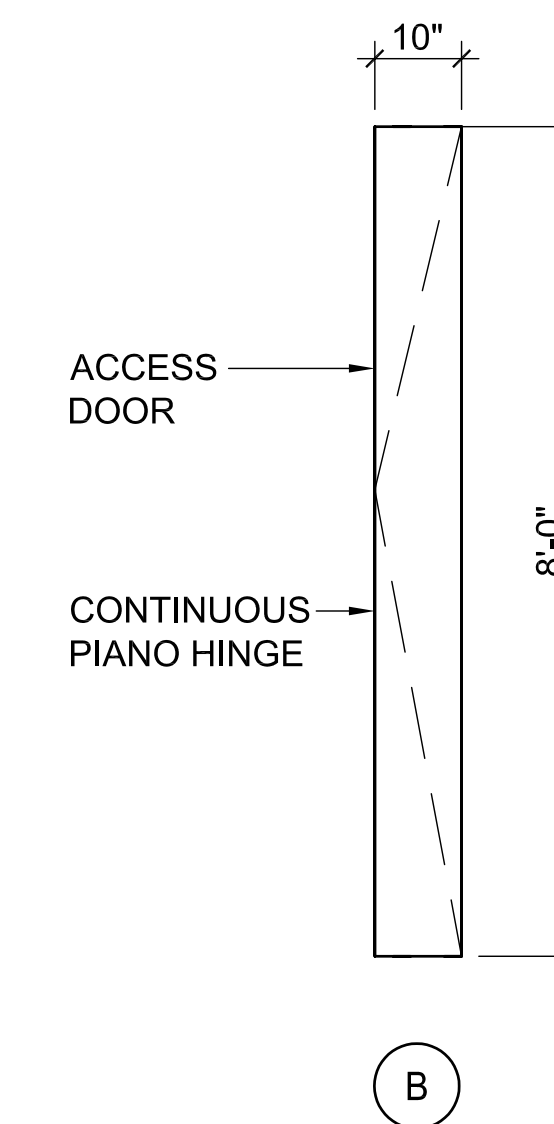
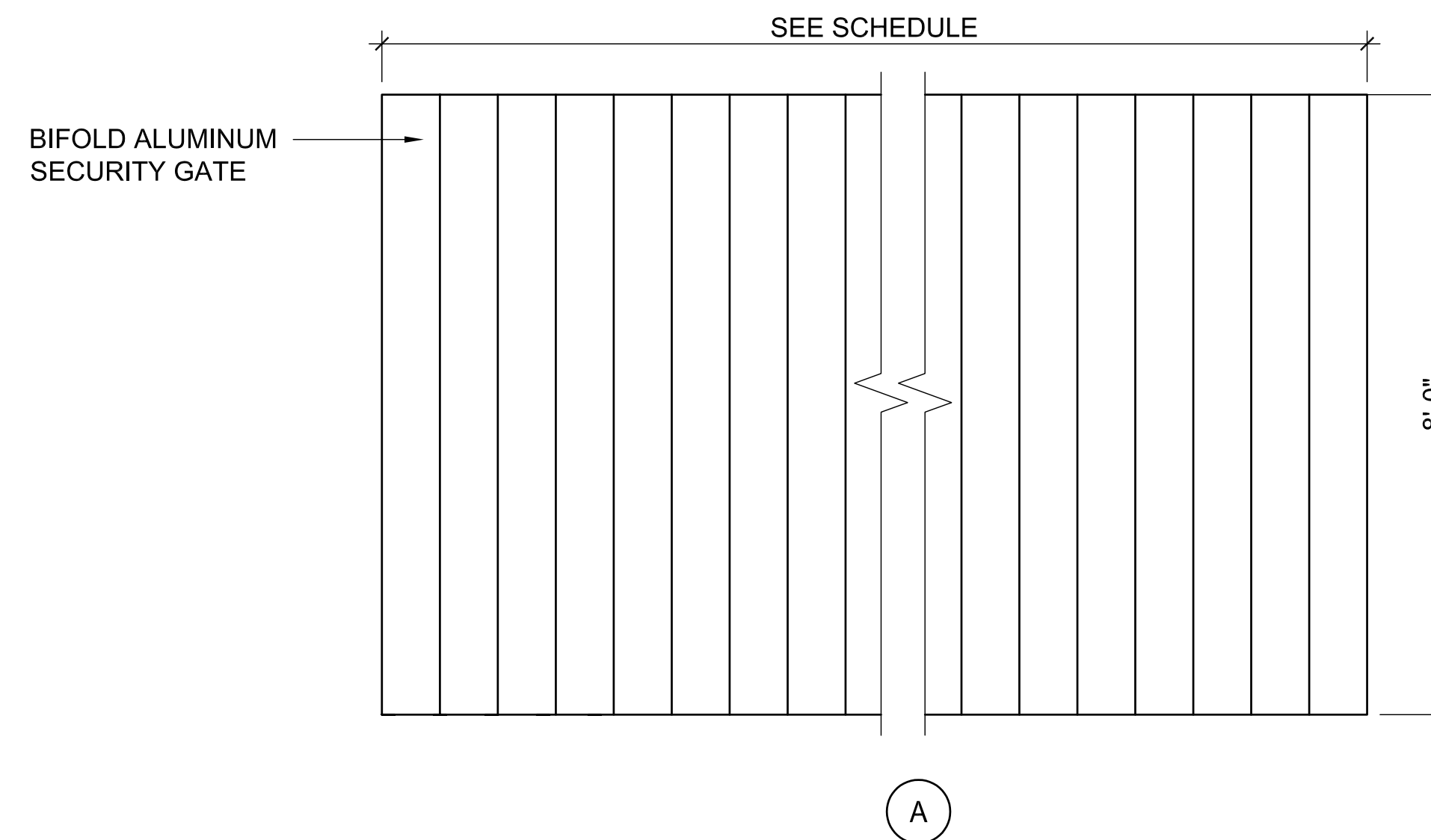
711 N. FIELDER RD.
ARLINGTON, TX 76012
PH: (817) 635-5696
FAX: (817) 635-5699

DRAWING ISSUE	DATE
75% SUBMITTAL	01.28.10
95% AIRPORT REVIEW	02.12.10
SUBMIT FOR PERMIT	02.26.10

DOOR & GATES SCHEDULE N.T.S. 3



DOOR & GATE TYPES	
(A)	SECURITY GATE - BI-FOLD ALUMINUM DOOR, MANUFACTURER GRADE BY TENANT.
(B)	HOLLOW CORE WOOD DOOR TO BE PROVIDED BY CONTRACTOR. SLAT WALL FINISH TO MATCH MILLWORK . (SEE I-501) (104)
(C)	SOLID CORE WOOD DOOR TO BE PROVIDED BY CONTRACTOR



SEAL:
REVIEWED & APPROVED BY: _____
PROJECT MANAGER INITIALS: T.L.
DATE: _____

NOTE: THIS DOCUMENT CONTAINS CONFIDENTIAL MATERIAL BELONGING EXCLUSIVELY TO PARADISE SHOPS. ANY DISCLOSURE, REPRODUCTION, OR DUPLICATION OF ANY OF THE INFORMATION CONTAINED HEREIN MAY RESULT IN LIABILITY APPLICABLE BY LAW. IT IS THE RESPONSIBILITY OF THE USER TO OBTAIN ALL NECESSARY PERMITS AND TO ACT ON HIS BEHALF TO ENSURE THAT ALL DOCUMENTS ARE APPROVED BY AND FORWARDED TO THE ISSUING AGENCY. WE DO NOT ASSUME ANY RESPONSIBILITY OR LIABILITY FROM ANY PERSON, OR COMPANY, THAT REPRODUCES OR TRANSMITS THIS DOCUMENT WITHOUT OUR WRITTEN PERMISSION.

PROJECT NUMBER:
2777

DRAWING NAME:
Window, Door Types & Details

DRAWING NUMBER:
A-601

HEAD/JAMB WOOD DOOR FRAME 6"=1'-0" 2

DOOR & GATES TYPES N.T.S. 1

CNBC NEWS
Portland International Jetport
1001 Westbrook Street
Portland, Maine

THE PARADISE SHOPS