



711 N. FIELDER RD.
ARLINGTON, TX 76012
PH: (817) 635-5696
FAX: (817) 635-5699

| DRAWING ISSUE | DATE |
|--------------------|----------|
| 75% SUBMITTAL | 01.28.10 |
| 95% AIRPORT REVIEW | 02.12.10 |
| SUBMIT FOR PERMIT | 02.26.10 |

CNBC NEWS
Portland International Jetport
1001 Westbrook Street
Portland, Maine



THE PARADISE SHOPS

SEAL:

REVIEWED & APPROVED BY: _____

PROJECT MANAGER INITIALS: T.L.

DATE: _____

NOTE: THIS DOCUMENT CONTAINS CONFIDENTIAL MATERIAL BELONGING EXCLUSIVELY TO PARADISE SHOP ARCHITECTURE, LLC. UNAUTHORIZED REPRODUCTION, DISSEMINATION, OR DUPLICATION OF ANY OF THE INFORMATION CONTAINED HEREIN MAY RESULT IN LIABILITY ENFORCEABLE BY LAW. IT IS THE RESPONSIBILITY OF THE USER TO ENSURE THAT ALL DOCUMENTS ARE APPROVED BY AND FORWARDED BY THE ISSUING AGENCY. WE DO NOT ASSUME ANY RESPONSIBILITY OR LIABILITY FROM ANY PERSON, OR COMPANY, THAT REPRODUCES OR COMMERCIALIZES WITHOUT OBTAINING A RELEASE.

PROJECT NUMBER:

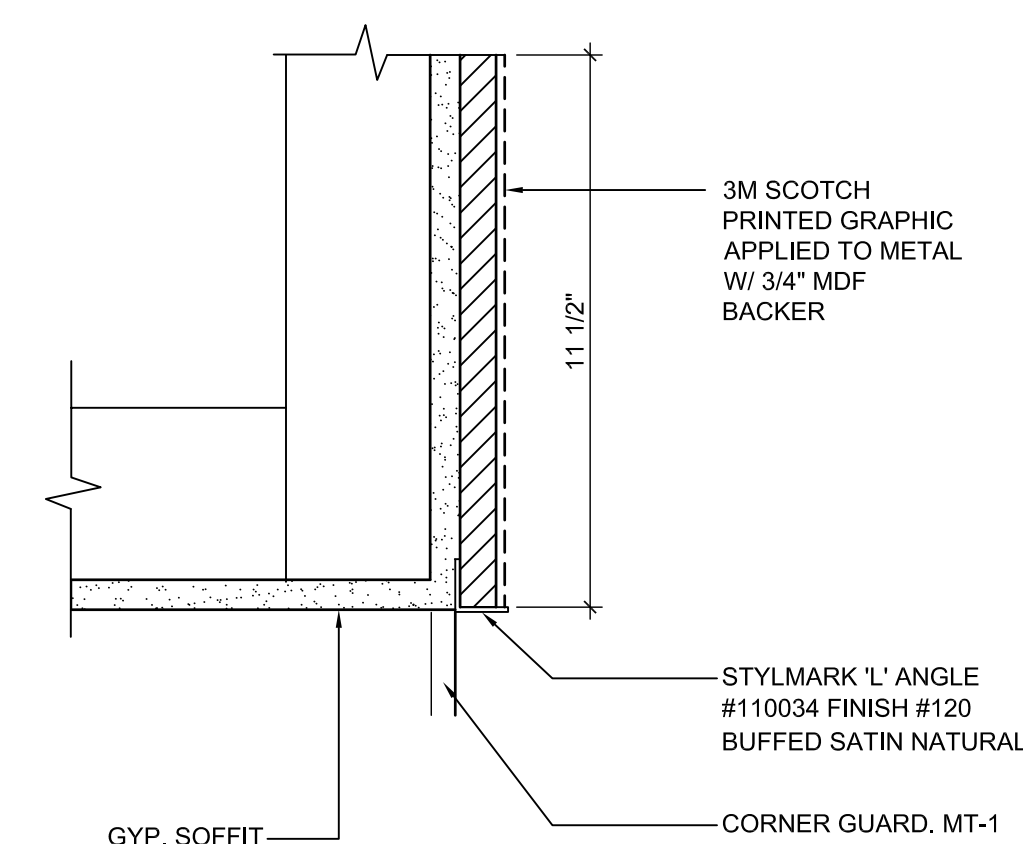
2777

DRAWING NAME:

**Store Front
Sections
& Details**

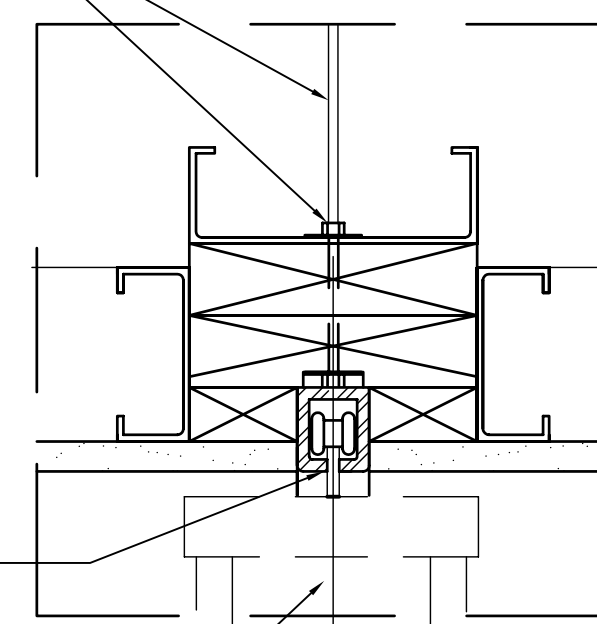
DRAWING NUMBER:

A-502



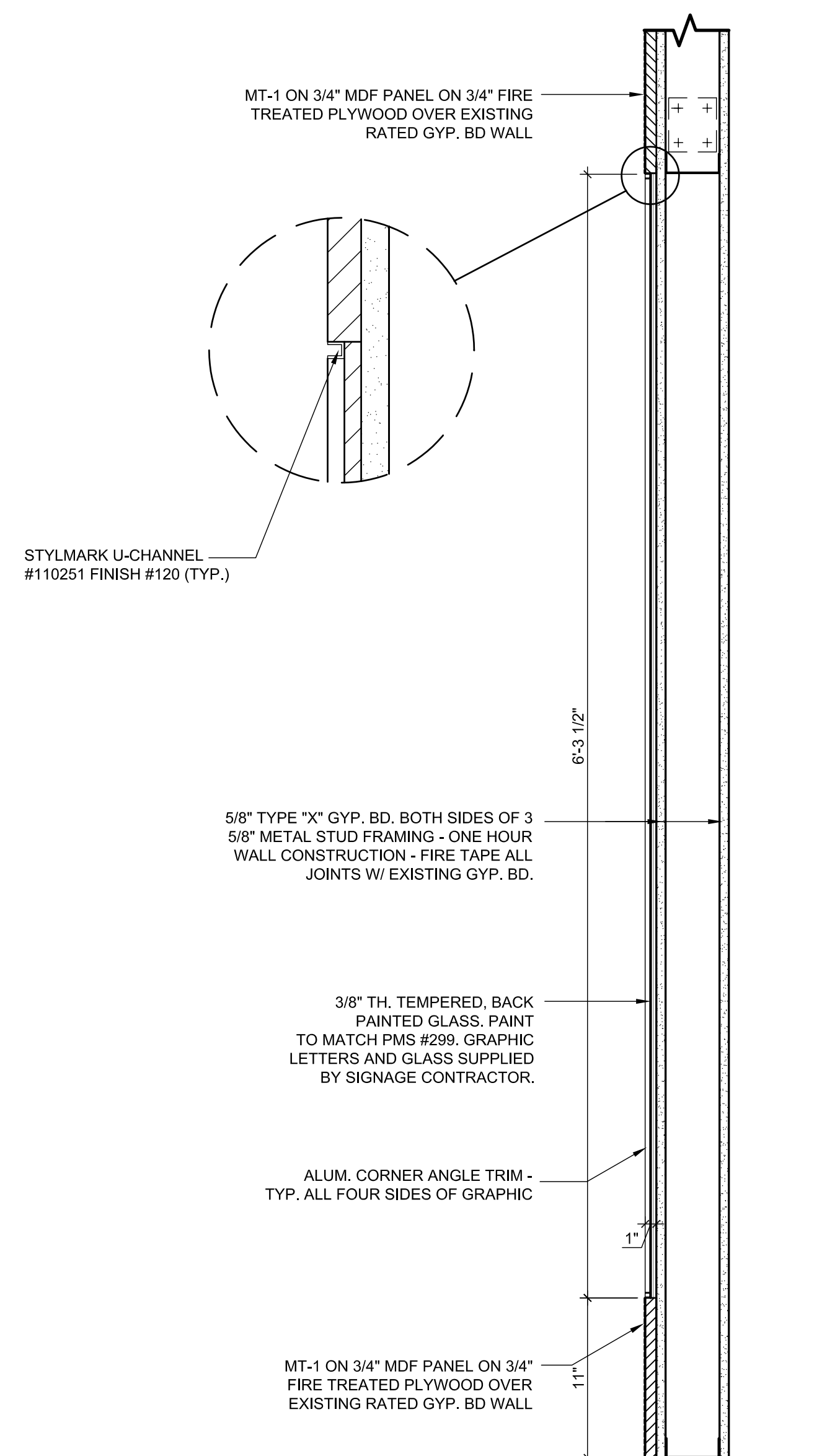
DETAIL AT STORE FRONT SOFFIT 3"- 1'- 0" 4

(2) 2x6 CONT. HEADER WITH 1/2" DIA. THREADED ROD @ 48" O.C. ATTACH ROD TO DBL. WOOD HEADER WITH TWO NUTS ON TOP AND COUNTERSUNK BOTT. FACE AND 1 1/2" DIA. WASHERS. PROVIDE SIGNED AND SEALED DRAWINGS. ALL WOOD BLOCKING REQUIRED FOR INSTALLATION OF BI-FOLD DOOR MUST BE FIRE RETARDANT TYPE.

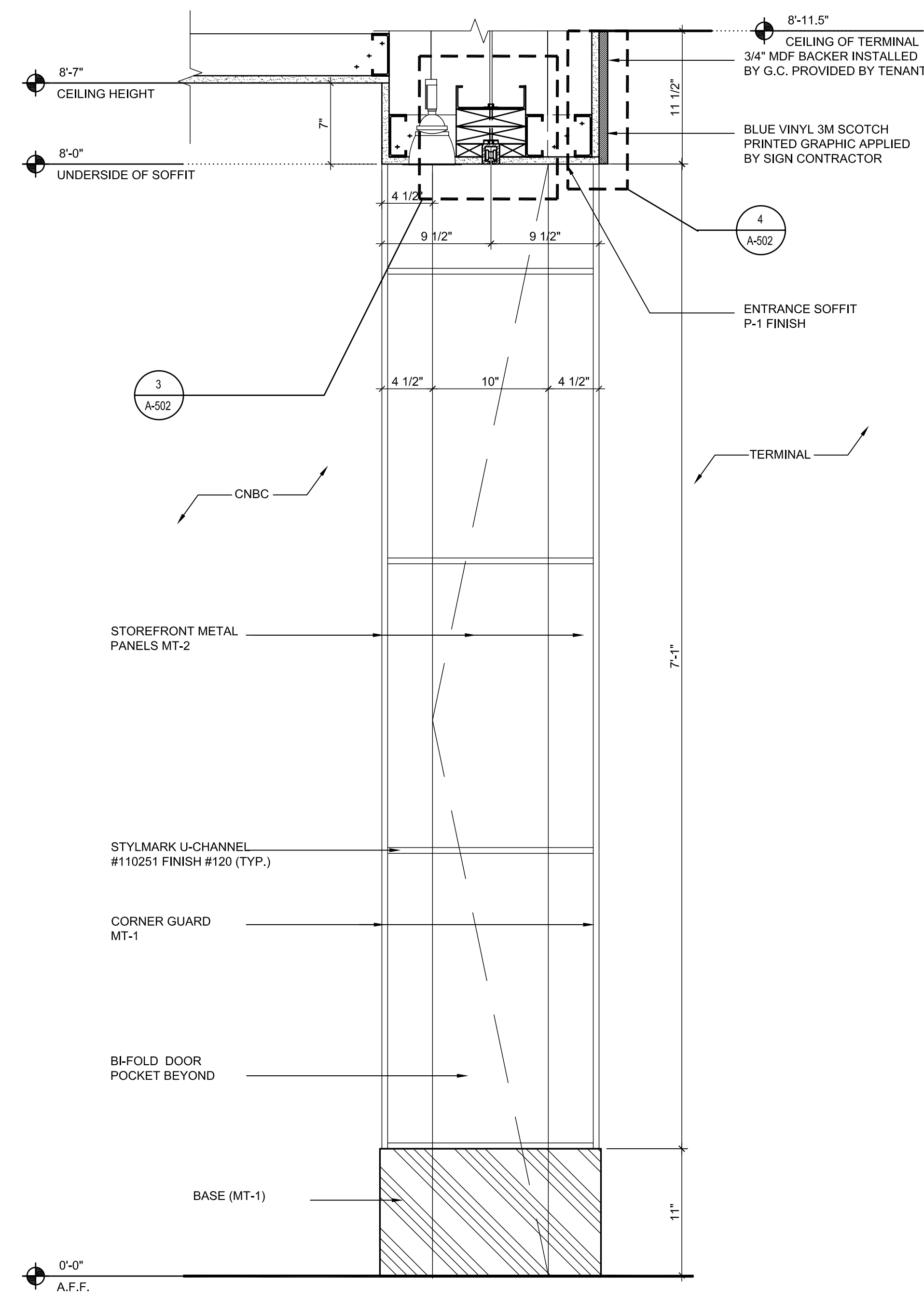


FOLDING SECURITY GATE BEYOND, CONTRACTOR TO CONTACT DOOR SUPPLIER FOR INSTALLATION COORDINATION.

BI-FOLD DOOR DETAIL 3"- 1'- 0" 3



SECTION AT STORE FRONT GRAPHIC 1 1/2"- 1'- 0" 2



NOTE:
ANY EXISTING FIREPROOFING THAT IS DISTURBED DURING THE INSTALLATION OF ANY METAL STUDS WILL BE REAPPLIED.

SECTION THRU STORE FRONT ENTRANCE 1 1/2"- 1'- 0" 1