



711 N. FIELDER RD.  
 ARLINGTON, TX 76012  
 PH: (817) 635-5696  
 FAX: (817) 635-5699

DRAWING ISSUE	DATE
75% SUBMITTAL	02.12.10
95% PERMIT SUBMITTAL - LL REVIEW	02.24.10

**PRE-SECURITY  
 VENDING SHOP**  
 Portland International Jetport  
 1001 Westbrook Street  
 Portland, Maine



THE PARADISE SHOPS

SEAL:

REVIEWED & APPROVED BY: \_\_\_\_\_  
 PROJECT MANAGER INITIALS: T.L.  
 DATE: \_\_\_\_\_

NOTE:  
 THIS DOCUMENT CONTAINS COPYRIGHTED MATERIAL BELONGING EXCLUSIVELY TO PARADISE DESIGN TEAM ARCHITECTURE, LLC. UNAUTHORIZED REPRODUCTION, DISSEMINATION OR DUPLICATION OF ANY OF THE INFORMATION CONTAINED HEREIN MAY RESULT IN LIABILITY APPLICABLE BY LAW. IT IS THE RESPONSIBILITY OF THE USER TO OBTAIN NECESSARY PERMISSIONS TO ACT ON HIS BEHALF. TO ENSURE THAT ALL DOCUMENTS ARE APPROVED BY AND FORWARDED BY THE ISSUING DEPARTMENT. WE DO NOT ASSUME ANY RESPONSIBILITY OR LIABILITY FROM ANY PERSON, OR COMPANY, THAT REPRODUCES OR TRANSMITS THIS DOCUMENT WITHOUT OUR WRITTEN PERMISSION.

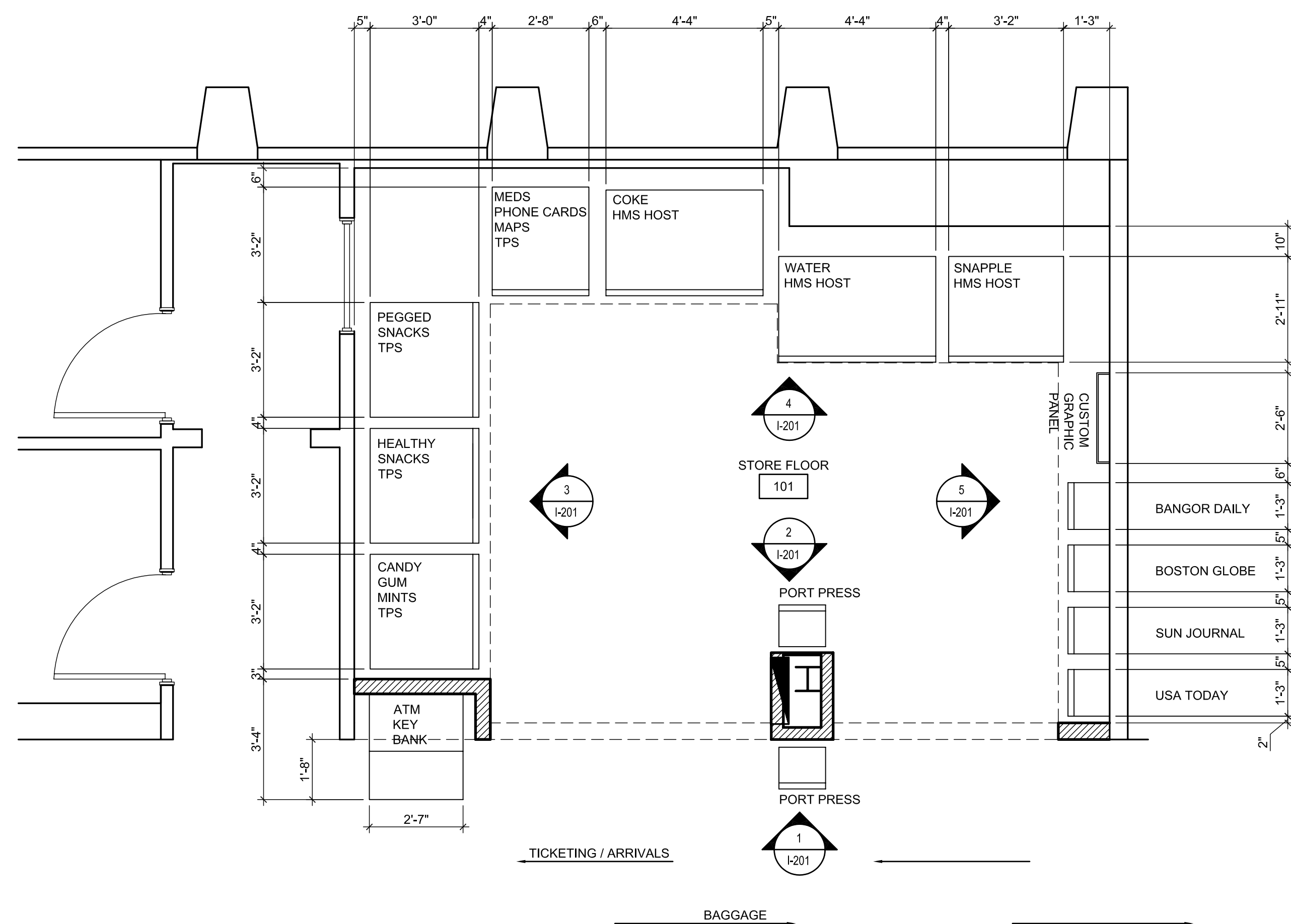
PROJECT NUMBER:

2780

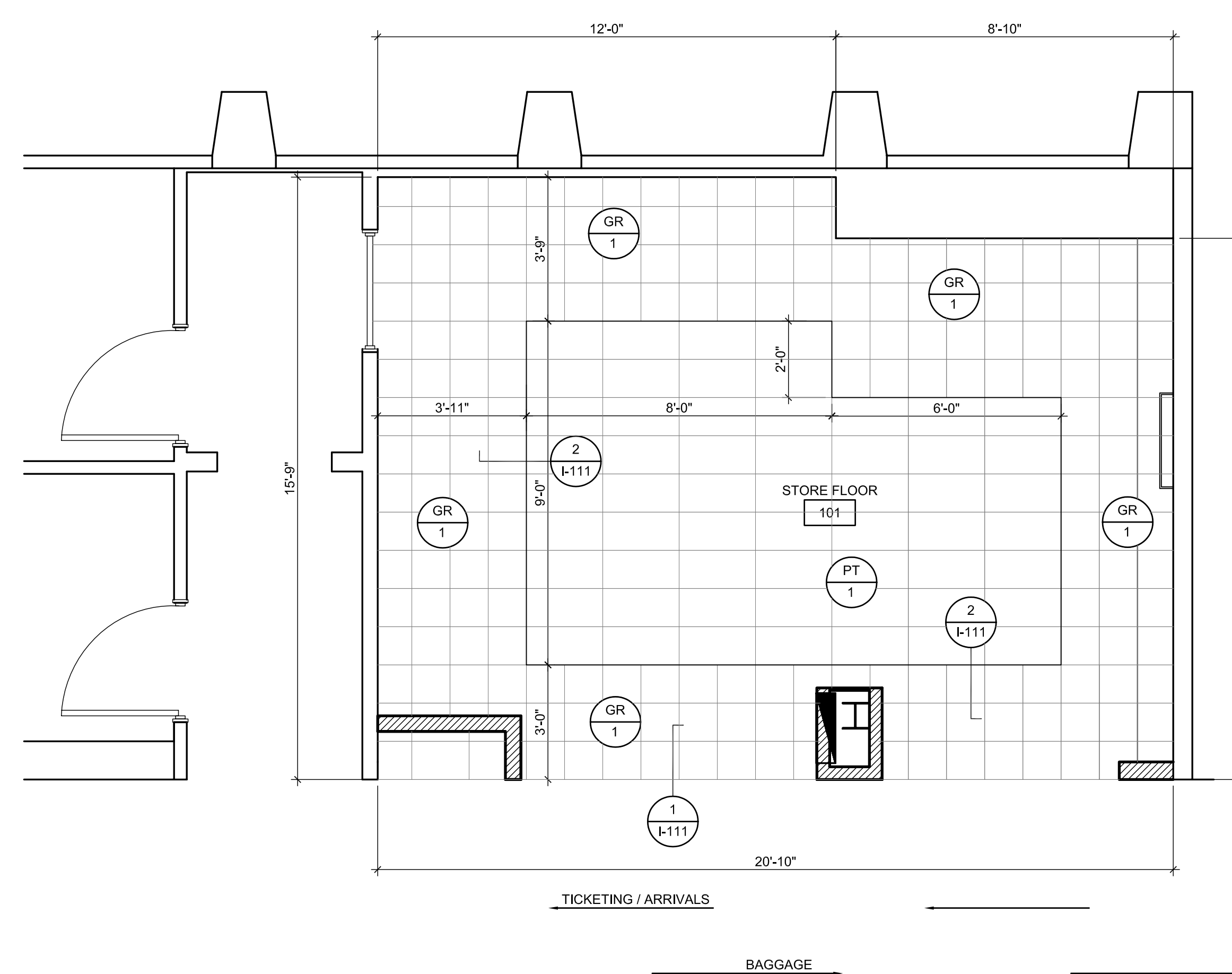
DRAWING NAME:  
**FF & E and  
 Flooring  
 Plans**

DRAWING NUMBER:

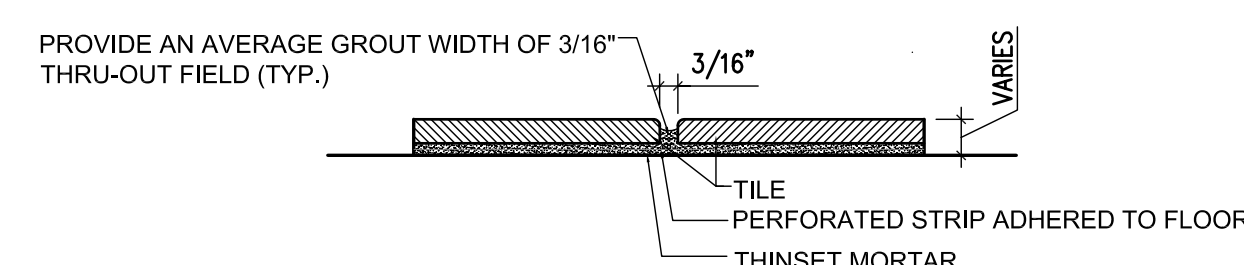
I-101



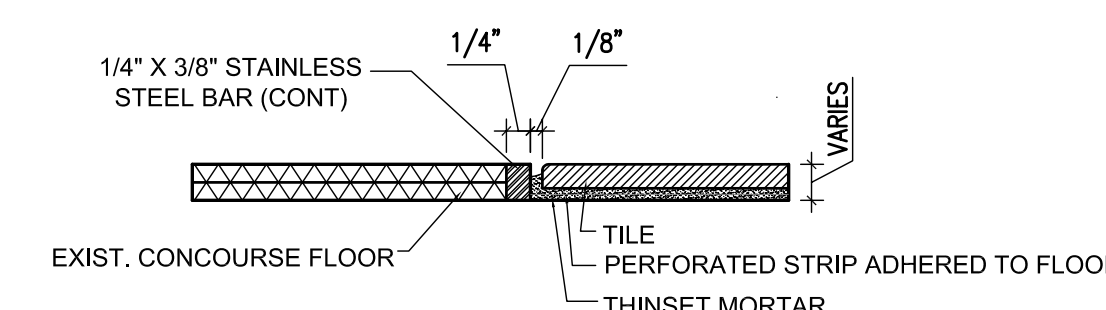
FF&E PLAN 3/8" = 1'-0" 4



FLOOR COVERING PLAN 3/8" = 1'-0" 3



TILE TO TILE TRANSITION DETAIL 6" = 1'-0" 2



CONCOURSE FLOOR TO TILE TRANSITION DETAIL 6" = 1'-0" 1