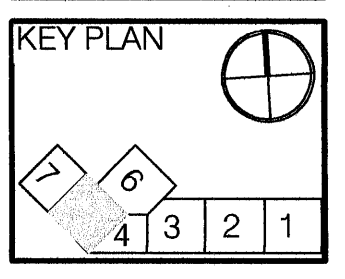


Item	Date



Burger King
 Portland Int'l Jetport PWM
 1001 Westbrook Street
 Portland ME 04102



HMS Host
 6905 Rockledge Drive
 Bethesda, MD 20817
 T: (240) 694-4746
 F: (240) 694-4643
 C: (240) 274-6417
 E: scott.rcimink@hmshost.com

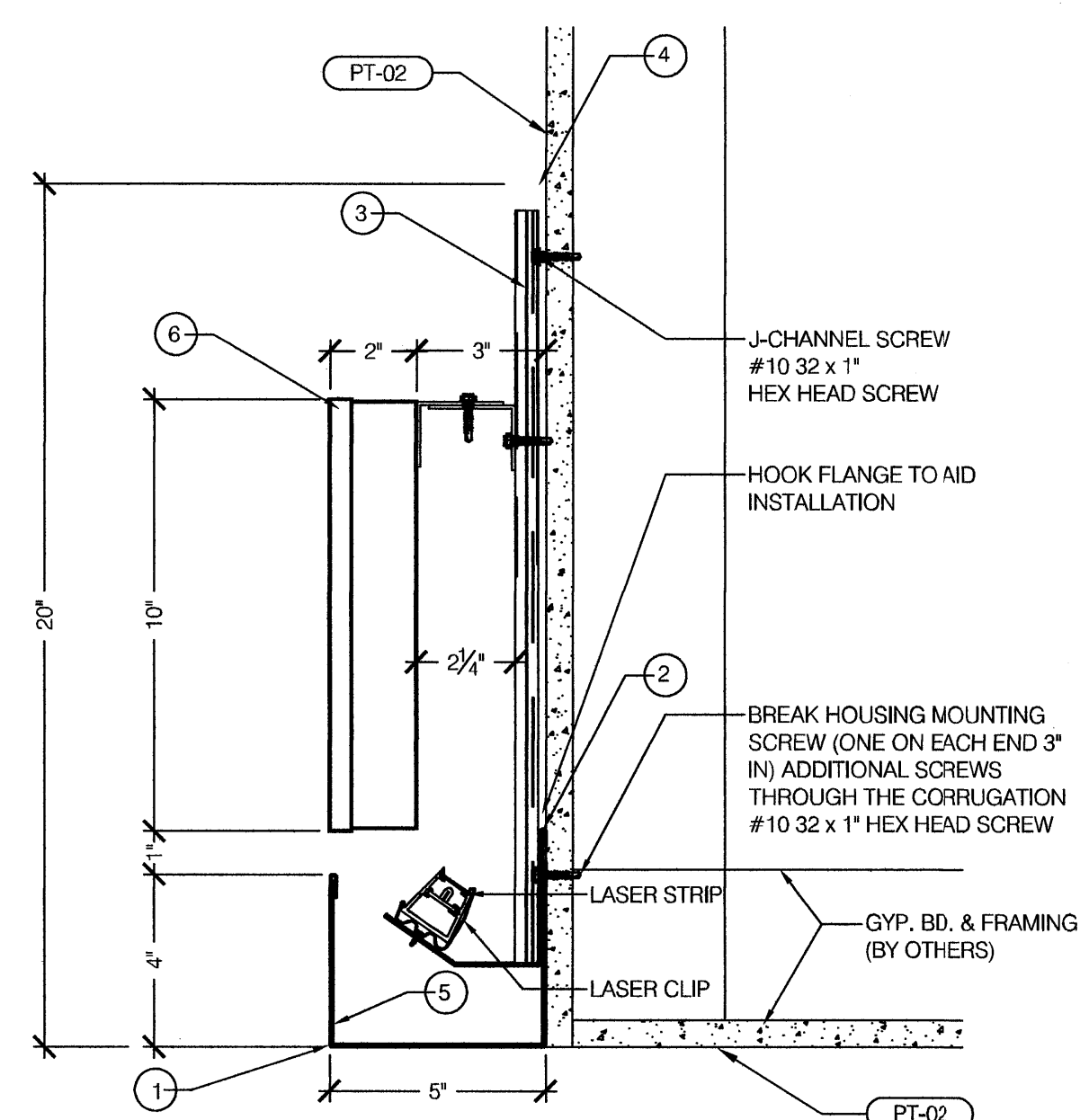
Building Engineering Resources, Inc.
 66 Main Street
 North Easton, MA 02556
 T: (508) 230-0250
 F: (508) 230-0265
 E: ber@ber-engineering.com

L2M Foodservice Design Group
 811 Crowwell Park Drive, Suite 113
 Crowwell Business Park at BWI
 Glen Burnie, Maryland 21061
 T: (410) 863-1302
 F: (410) 863-1308
 E: FSDG@L2MFoodServiceDesign.com

LLOYD ARCHITECTS
 Two High Cliff, Plymouth MA 02360
 TEL: (508) 746-4646
 FAX: (508) 746-1236
 E-MAIL: info@lloydarch.com

Job No.: 11400
 Scale: As noted
 Issued: 05/27/11
 DETAILS

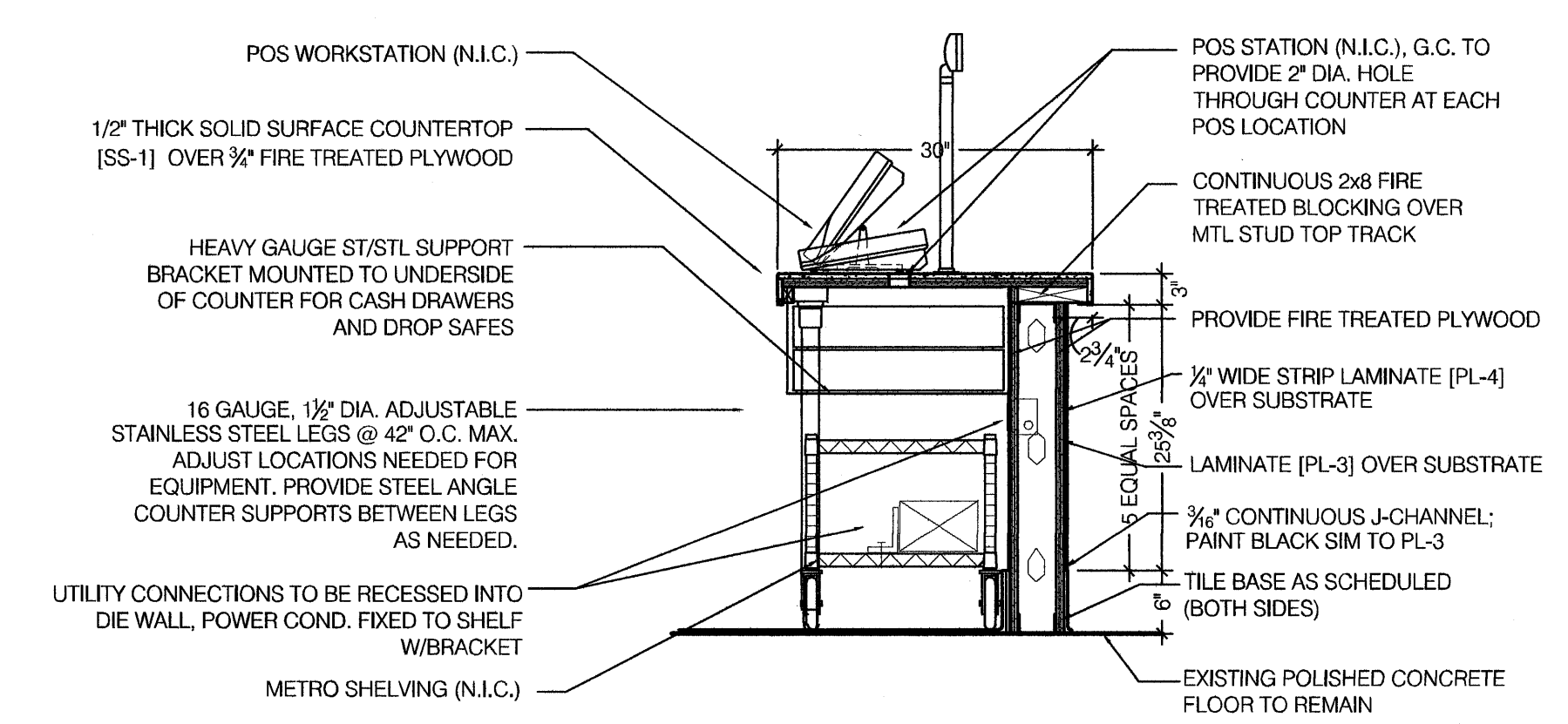
A-5.01



SIGNAGE DETAIL 1
 SCALE: 3" = 1'-0"

ITEM NO.	PART NUMBER	DESCRIPTION	QTY.
1	Laser Break Housing	.040 Bright Brushed Clear Aluminum	1
2	Laser Modified Angle Bracket	.063 White Aluminum	5
3	2.5 x .50 20 in Corrugation	Corrugated Kynar PMS 187 Red Aluminum	1
4	CORRUGATED INT TOP J-CHANNEL	Kynar PMS 187 Red Aluminum	1
5	2020-LASER TRACK COUPLING	.040 Bright Brushed Clear Aluminum	1
6	CHANNEL LETTER SIGN (PIN MOUNTED)	White Faces / Clear Aluminum Cabinets	1

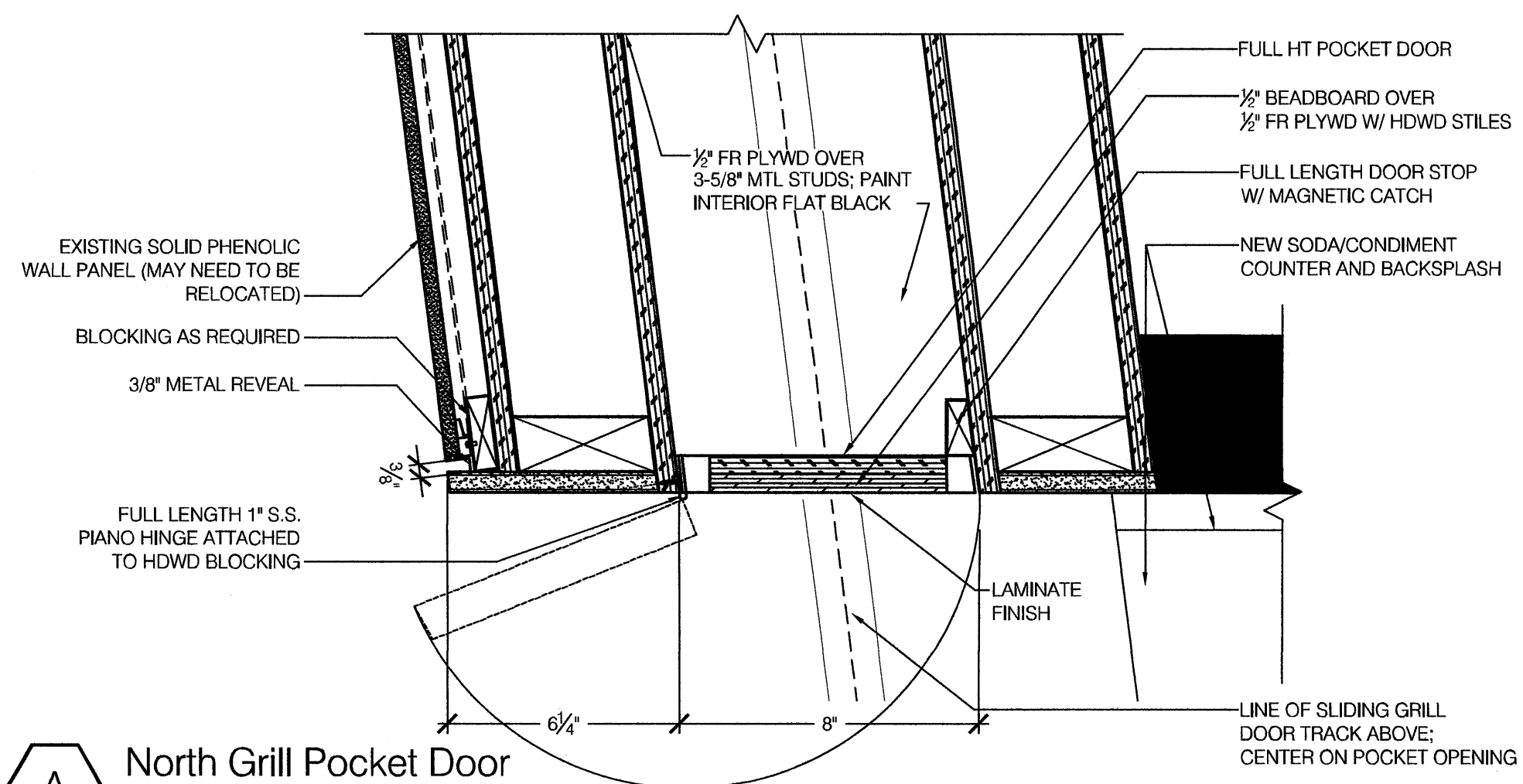
2 SIGNAGE DETAIL (provided by BK)
 3" = 1'-0"



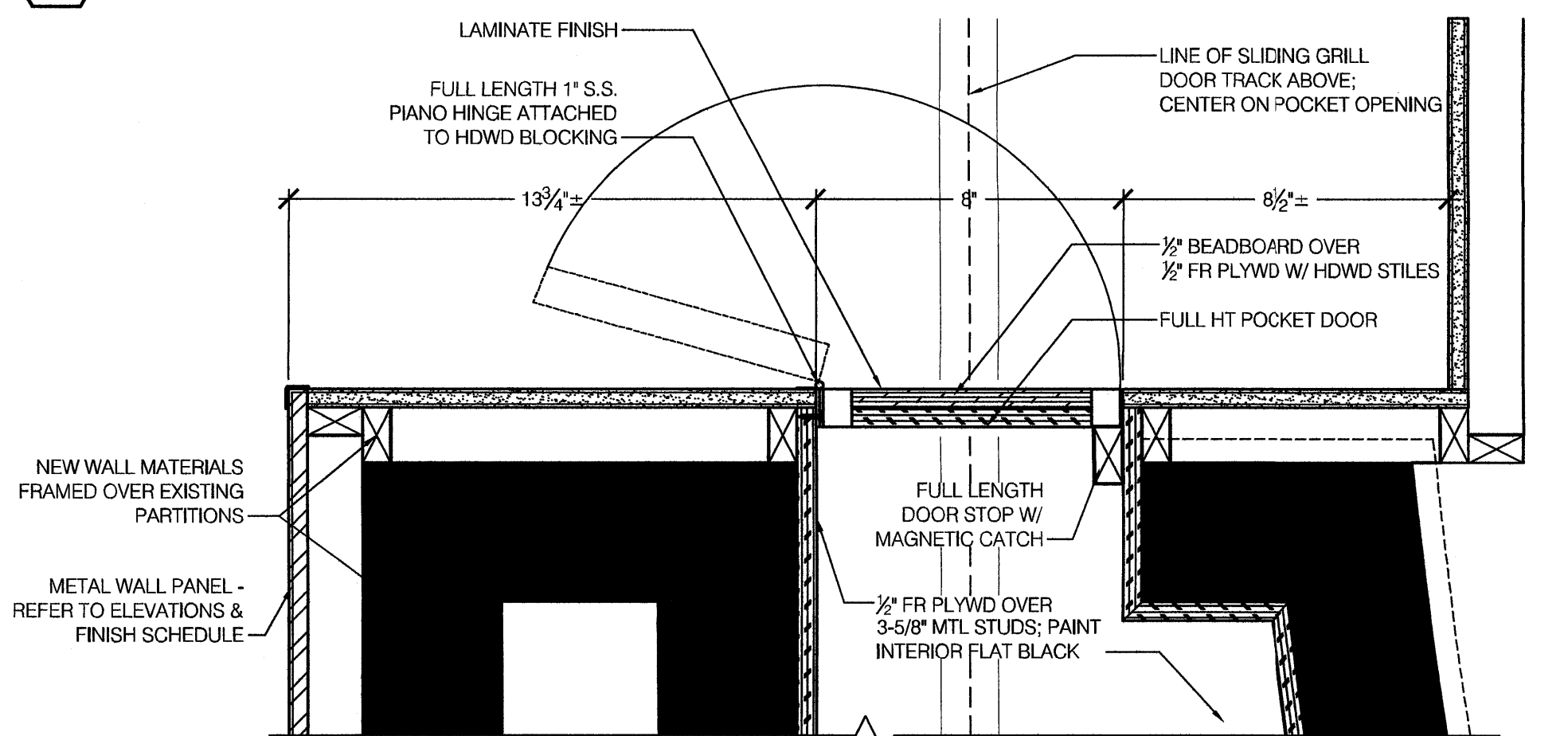
A Counter Section @ Workstation

B Counter Section @ Soda/Condiments

1 MILLWORK SECTIONS
 3/4" = 1'-0"

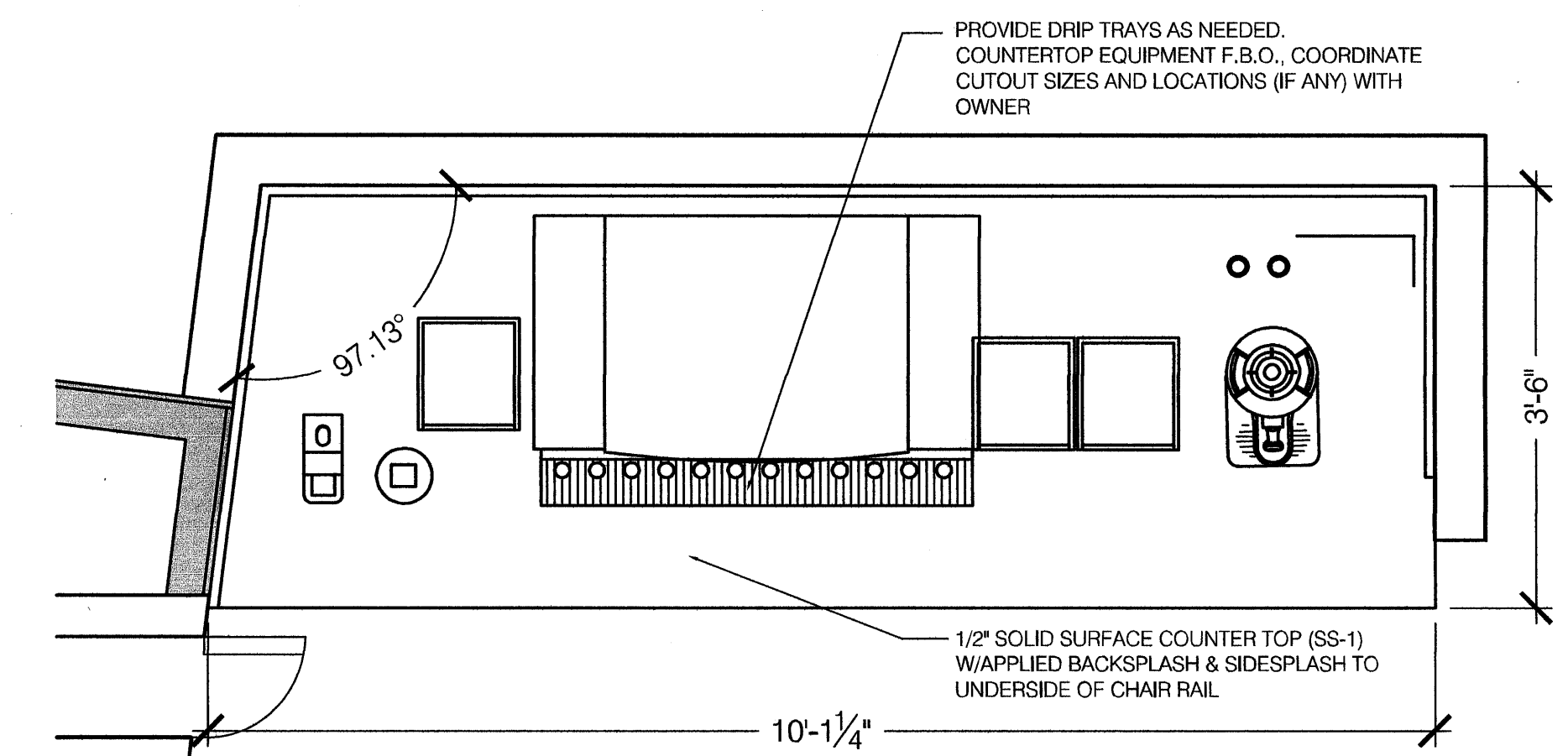


A North Grill Pocket Door

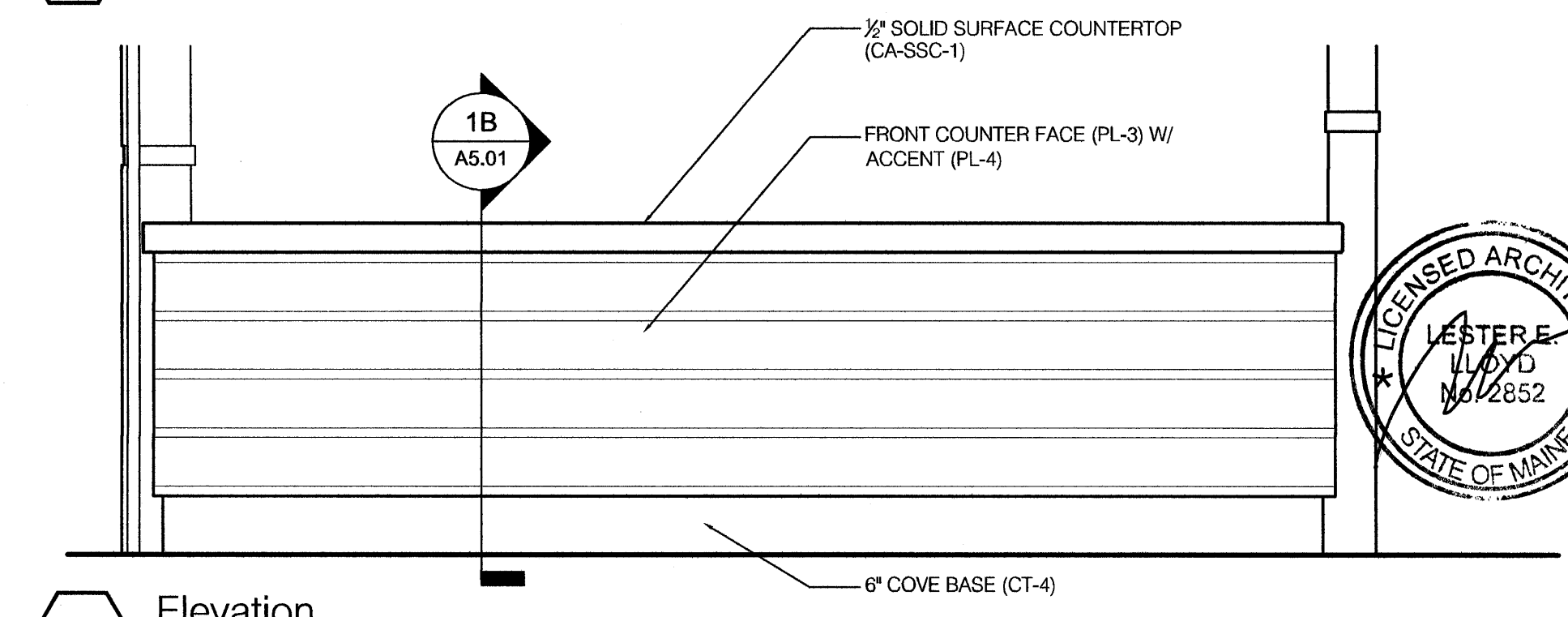


B South Grill Pocket Door

6 SLIDING GRILL PLAN DETAIL
 3" = 1'-0"

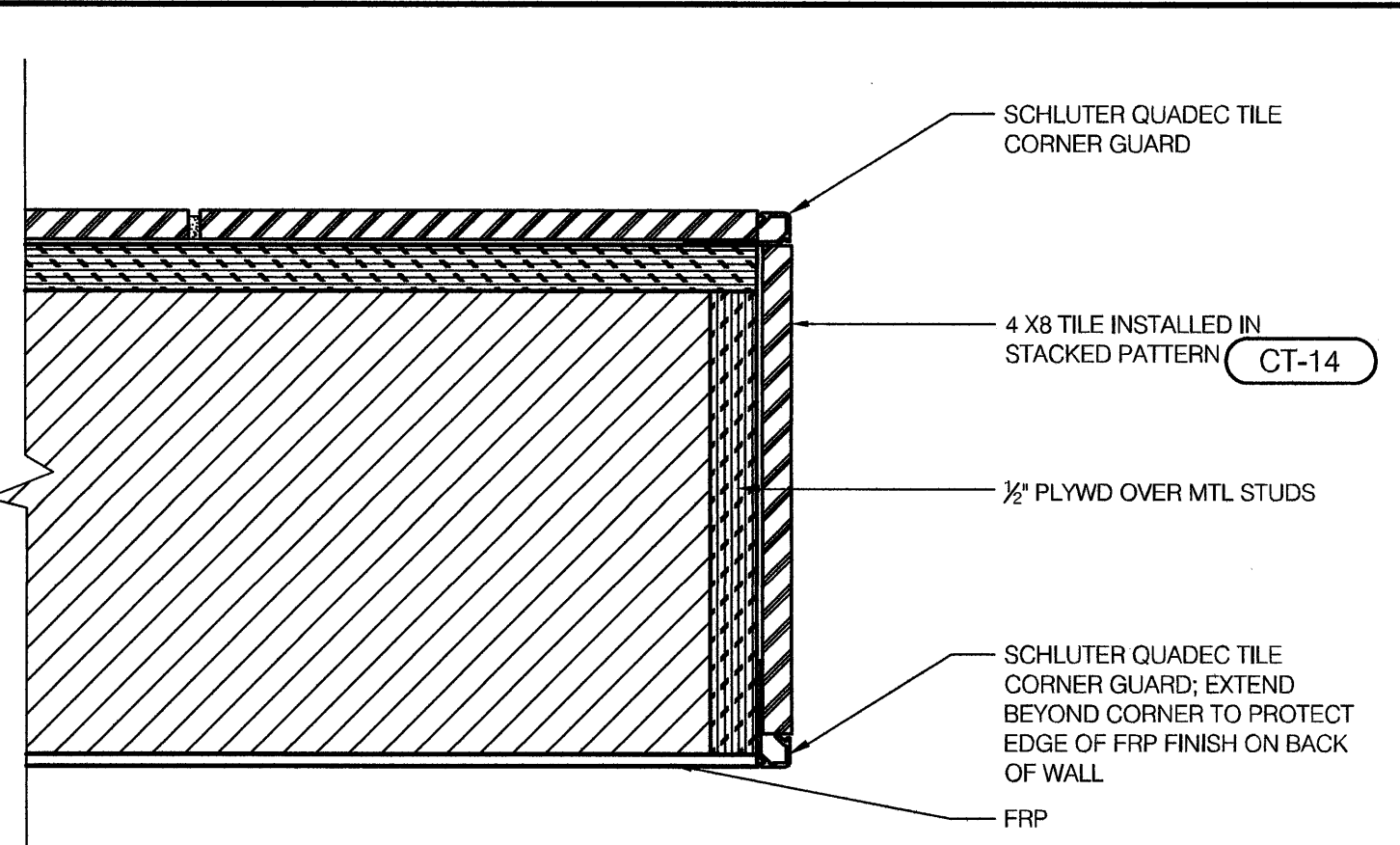


A Plan View

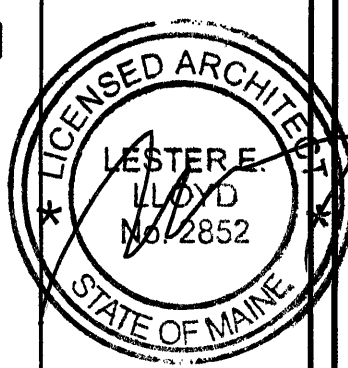


B Elevation

4 SODA/CONDIMENT COUNTER AT BURGER KING
 3/4" = 1'-0"



6 S.S. CORNER GUARD DETAIL
 3" = 1'-0"



Enter project file