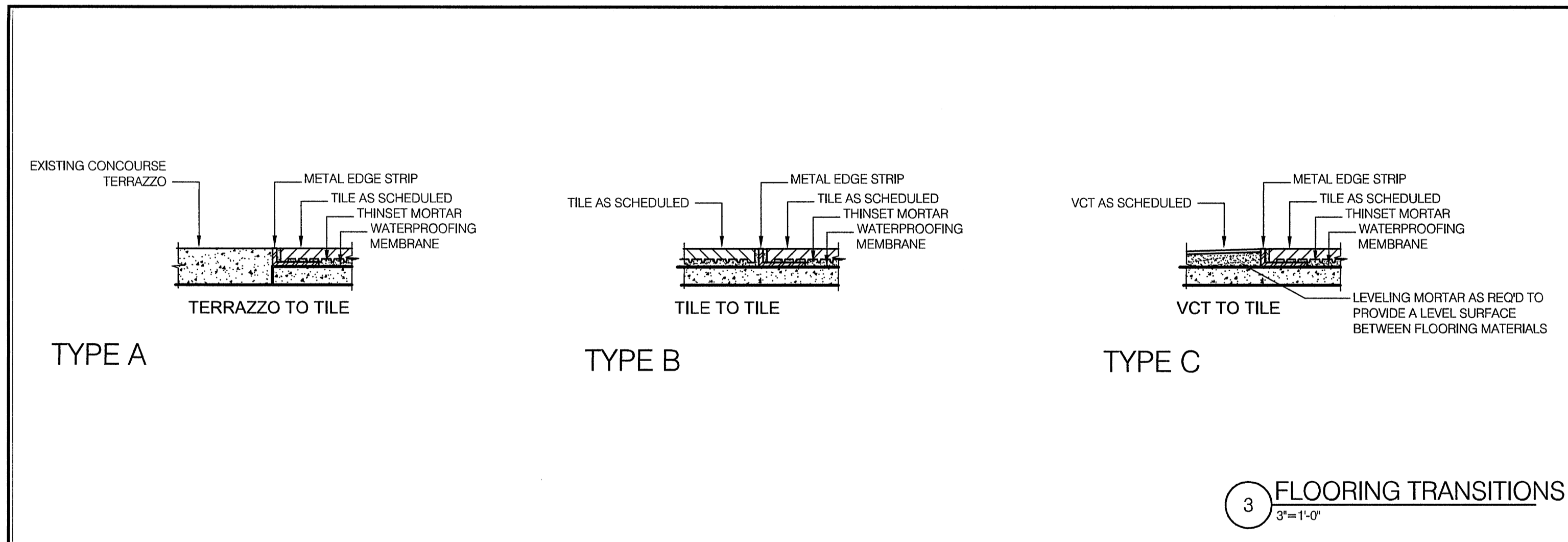
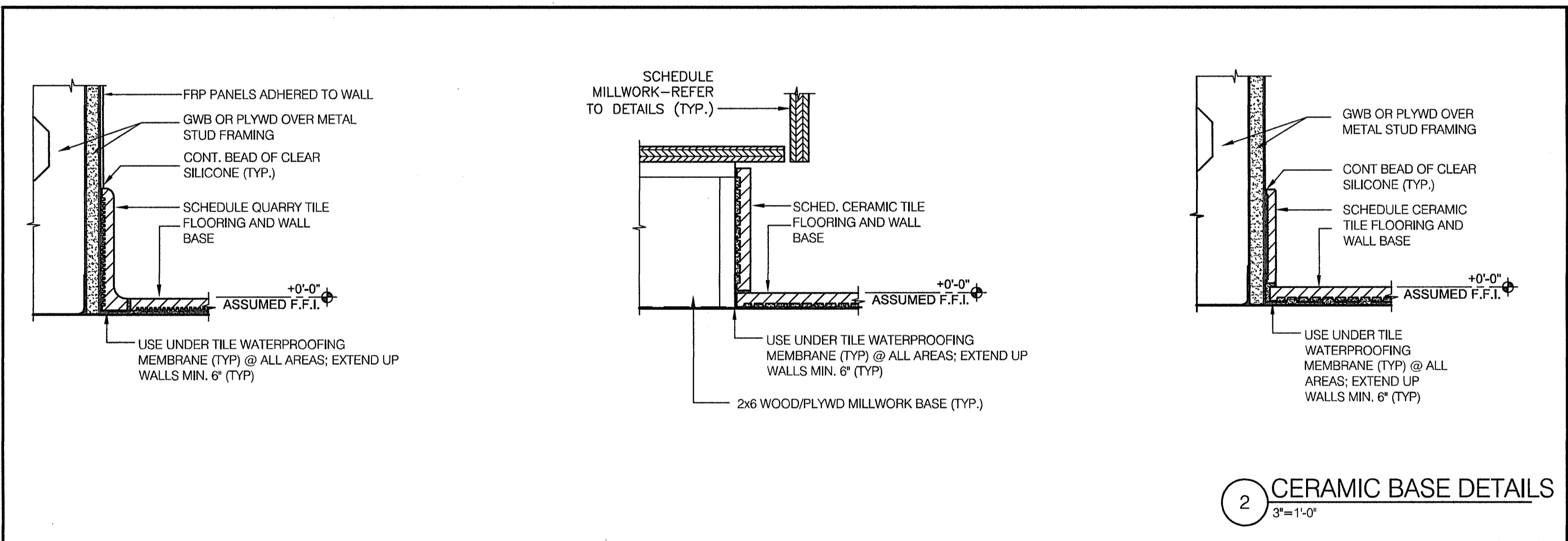


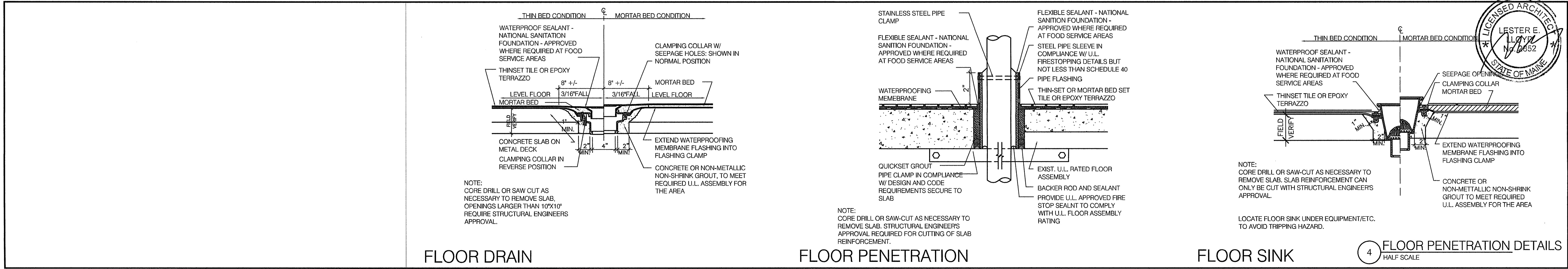
1 PARTITION TYPES
3/8"=1'-0"



3 FLOORING TRANSITIONS
3/8"=1'-0"



2 CERAMIC BASE DETAILS
3/8"=1'-0"

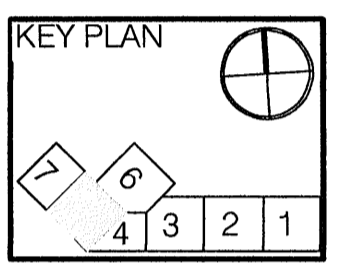


4 FLOOR PENETRATION DETAILS
HALF SCALE

Item	Date



Burger King
Portland Int'l Jetport PWM
1001 Westbrook Street
Portland ME 04102



HMS Host
6905 Rockledge Drive
Bethesda, MD 20817
T: (240) 694-4746
F: (240) 694-4643
C: (240) 274-4417
E: scott.reimink@hmshost.com

Building Engineering Resources, Inc.
66 Main Street
North Easton, MA 02556
T: (508) 230-0260
F: (508) 230-0265
E: ber@bor-engineering.com

L2M Foodservice Design Group
811 Crowell Park Drive, Suite 113
Crownell Business Park at BWI
Glen Burnie, Maryland 21061
T: (410) 863-1302
F: (410) 863-1308
E: FSDG@L2MFoodServiceDesign.com

LLOYD ARCHITECTS
Two High Cliff, Plymouth MA 02360
TEL: (508) 746-4646
FAX: (508) 746-1236
E-MAIL: info@lloydarch.com

Job No.: 11400
Scale: As noted
Issued: 05/27/11
PARTITION TYPES
FLOORING DETAILS
BASE DETAILS

A-5.00