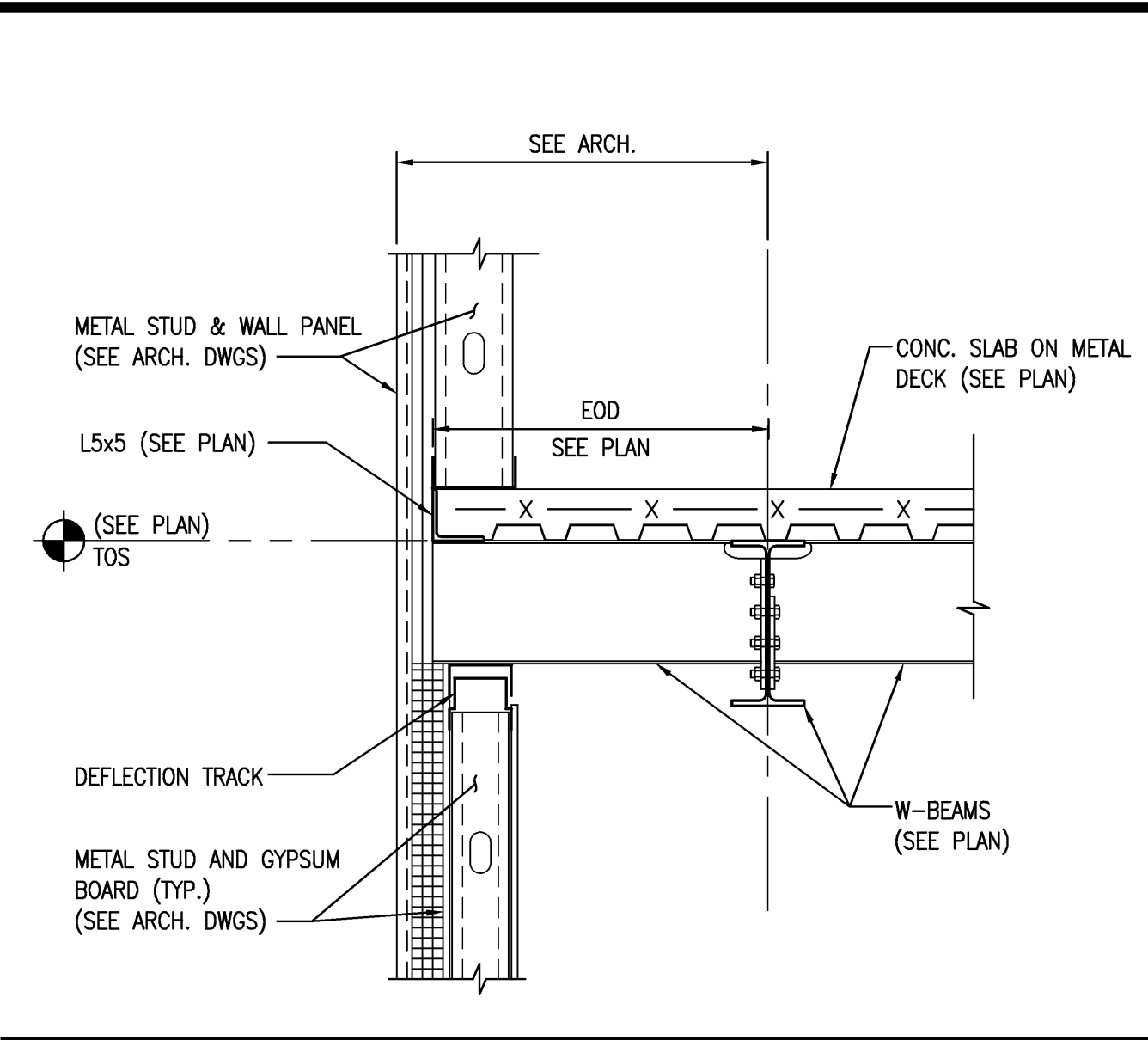
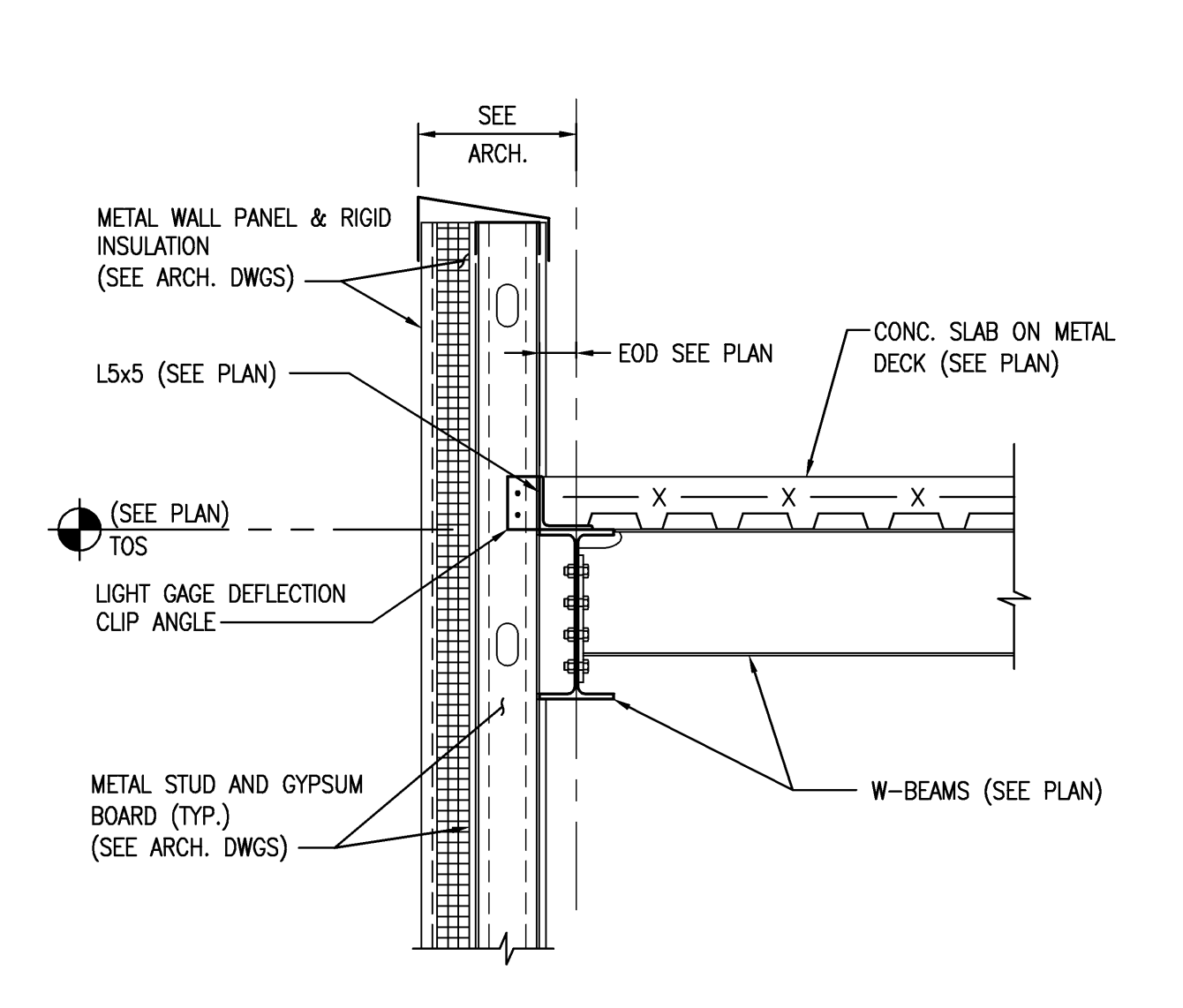


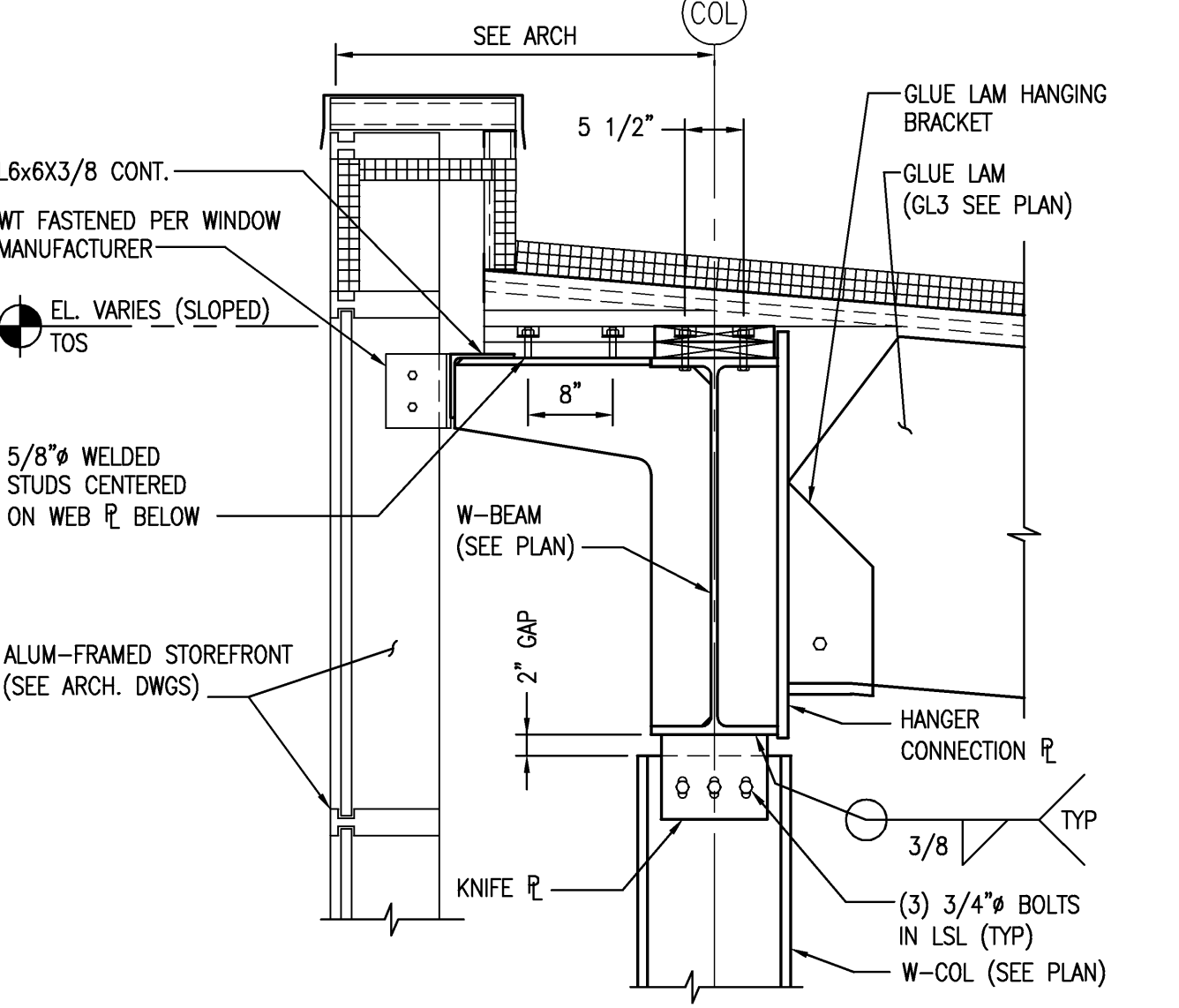
SECTION 15
SCALE: 3/4" = 1'-0"
S08.01



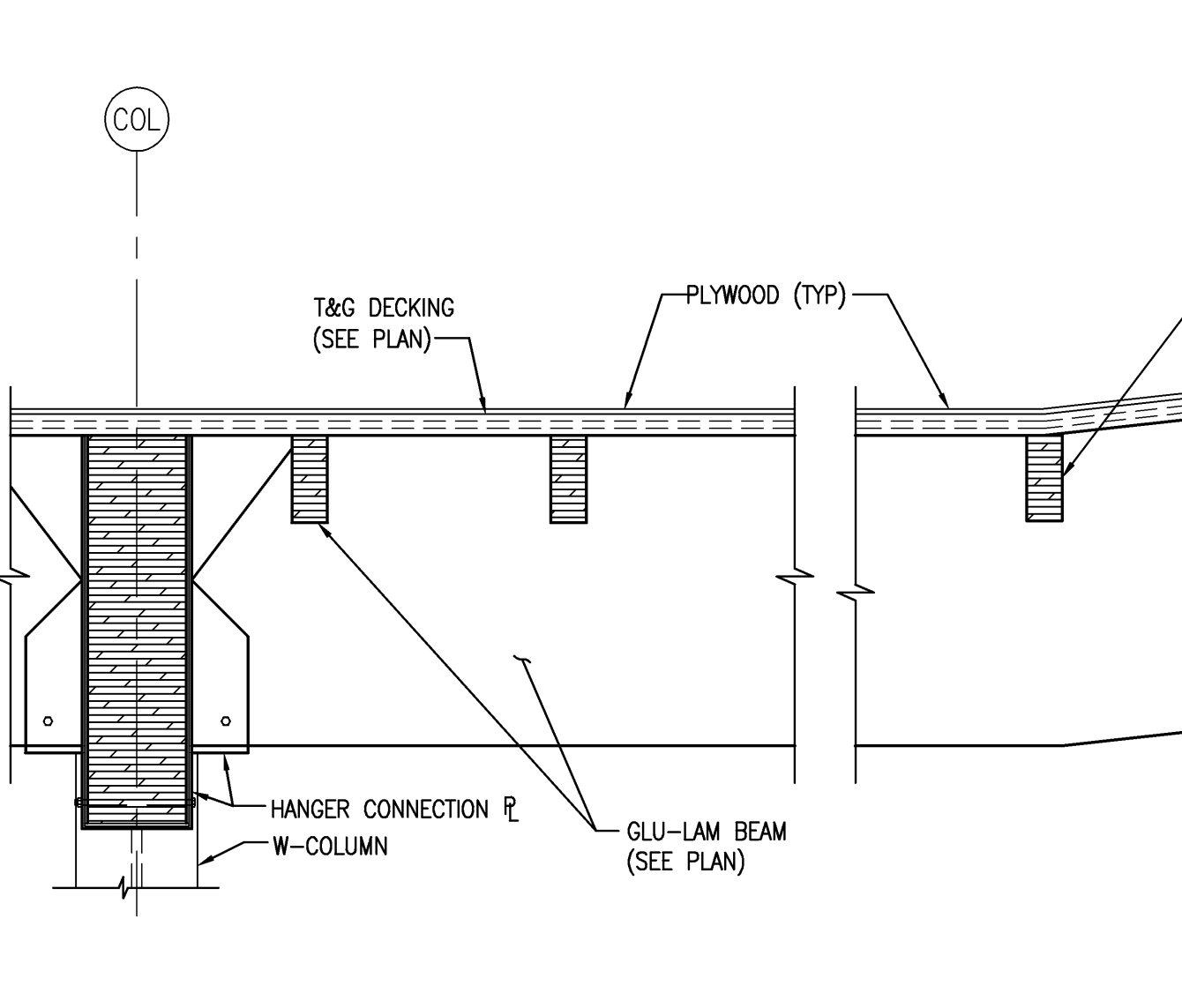
SECTION 16
SCALE: 3/4" = 1'-0"
S08.01



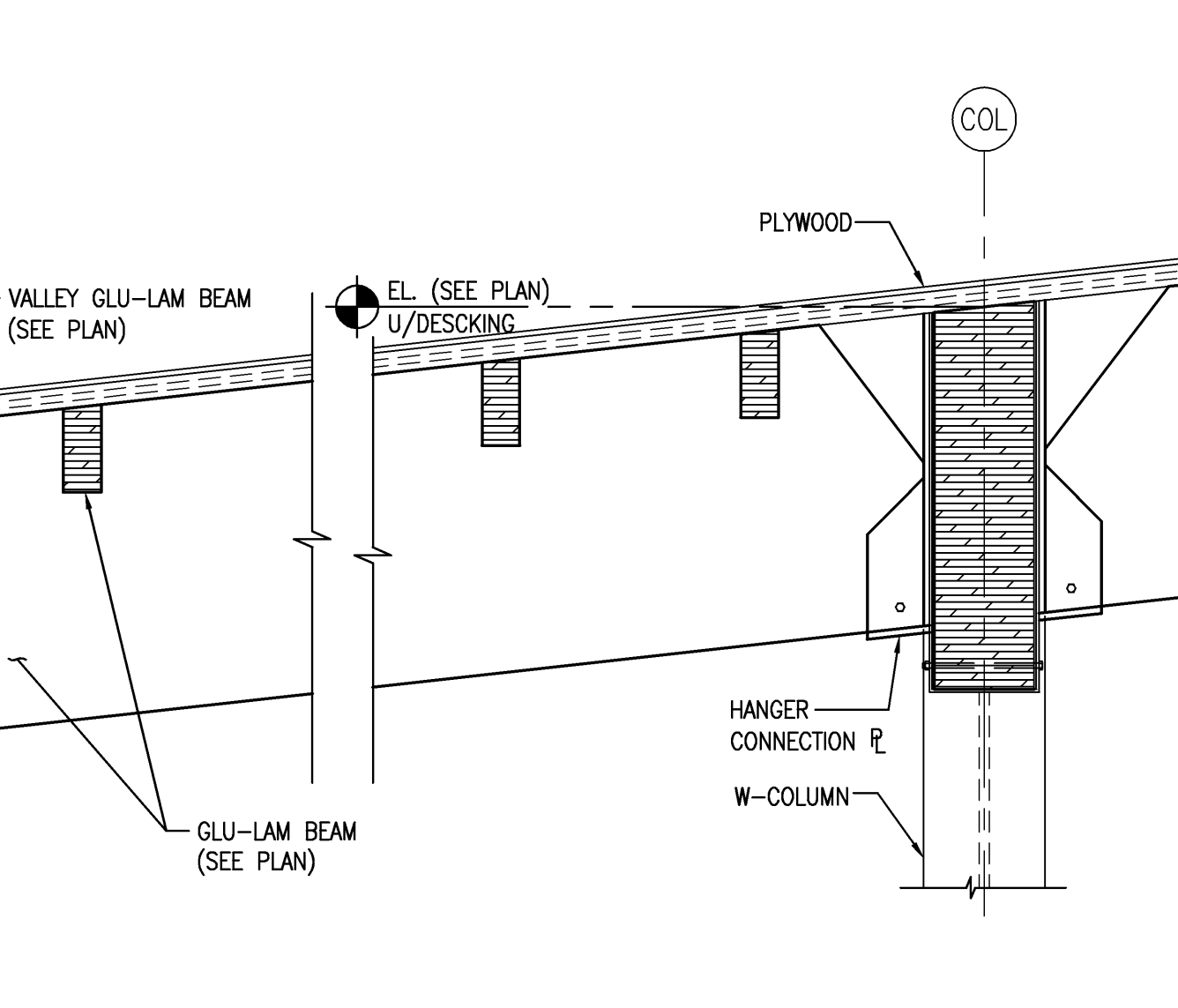
SECTION 17
SCALE: 3/4" = 1'-0"
S08.01



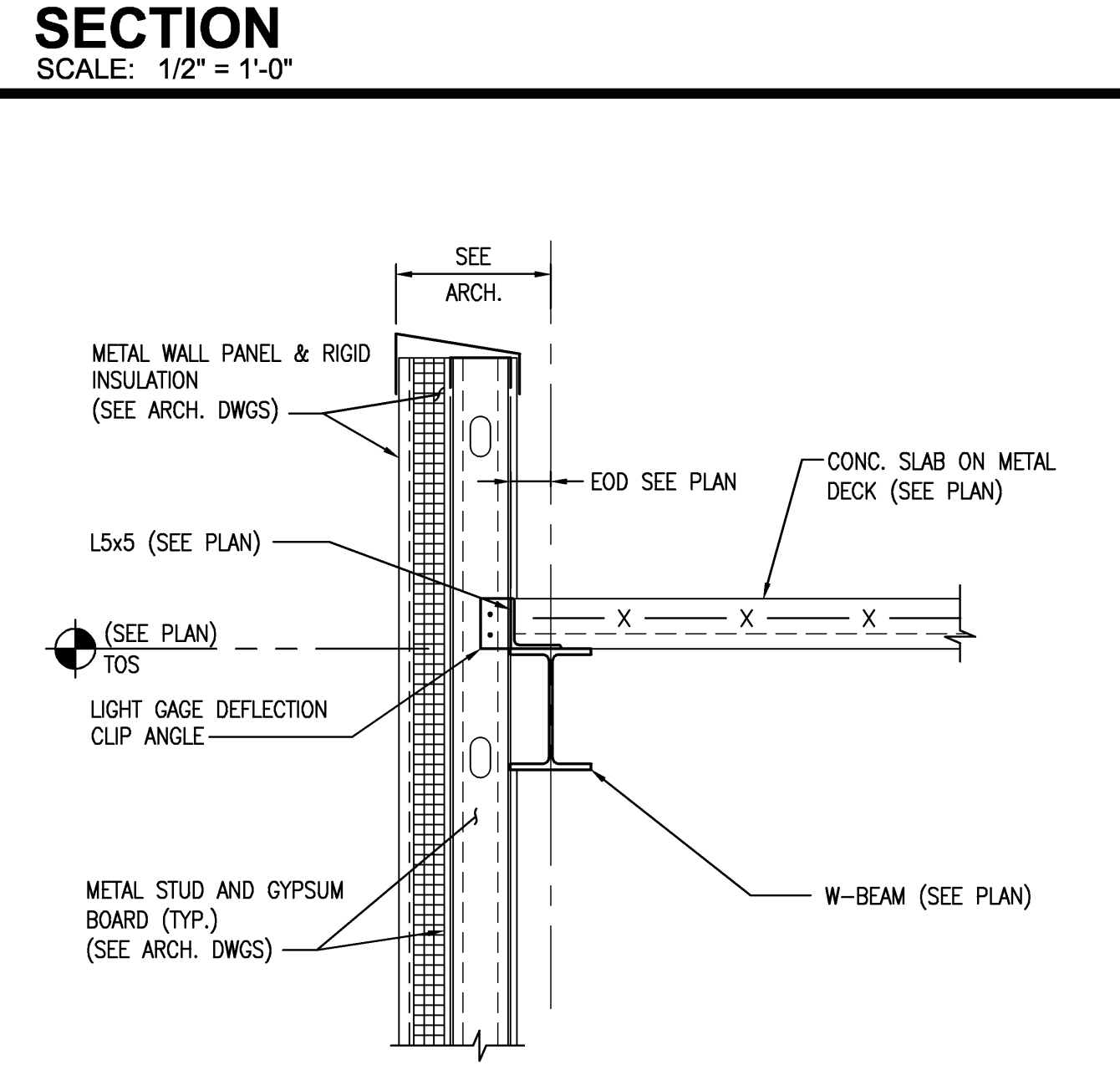
SECTION 18
SCALE: 3/4" = 1'-0"
S08.01



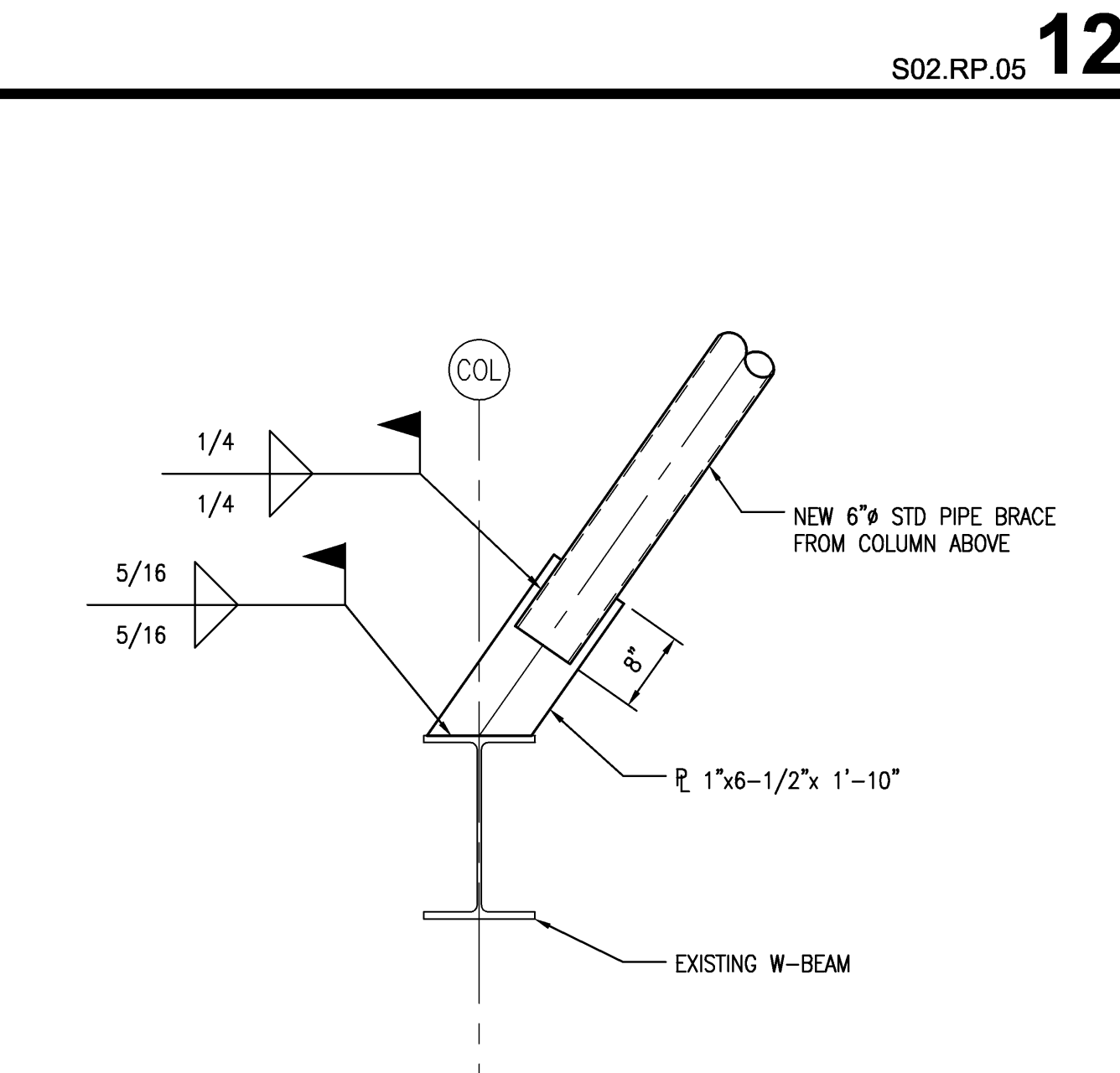
SECTION 19
SCALE: 3/4" = 1'-0"
S08.01



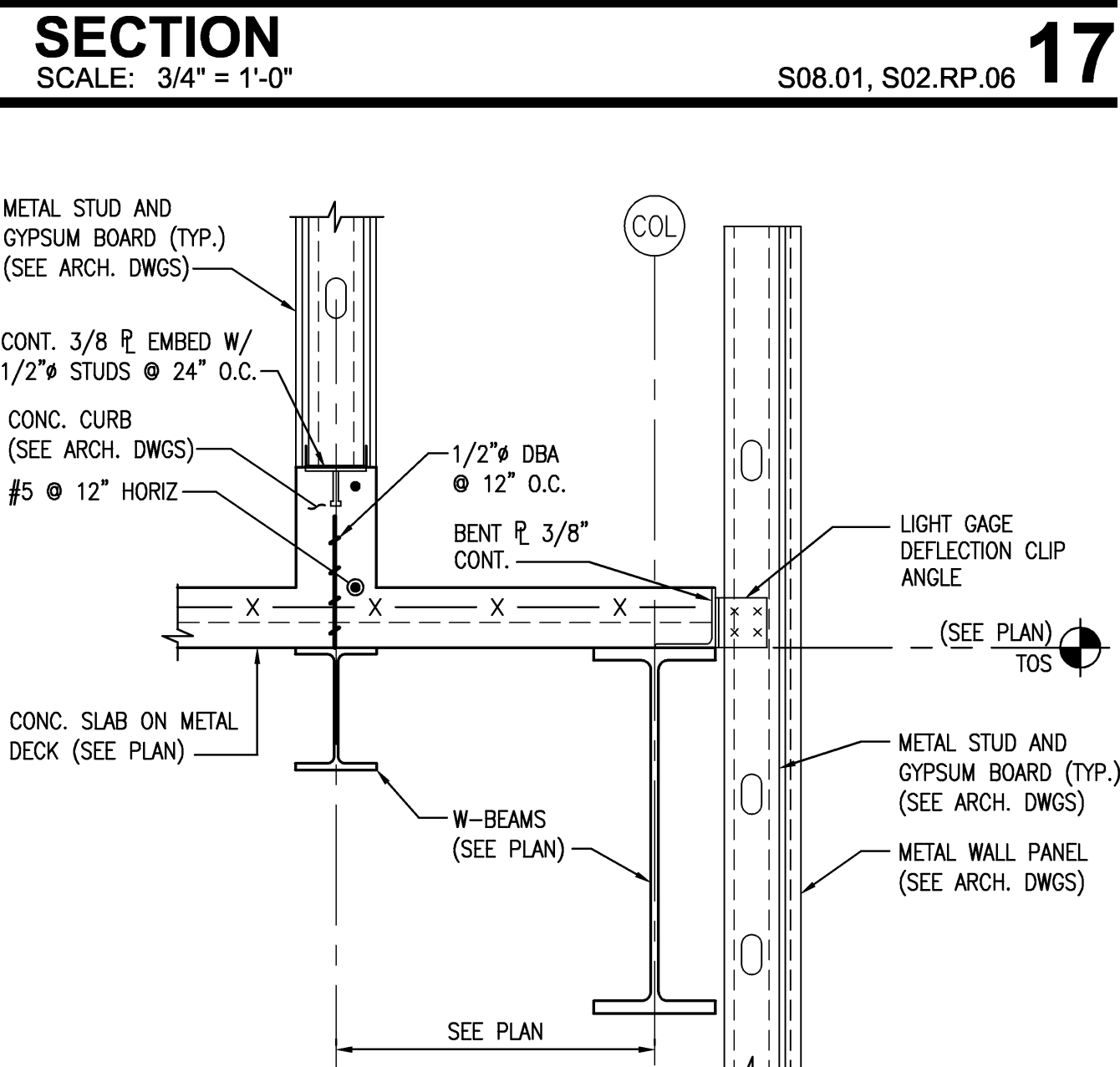
SECTION 20
SCALE: 3/4" = 1'-0"
S08.01



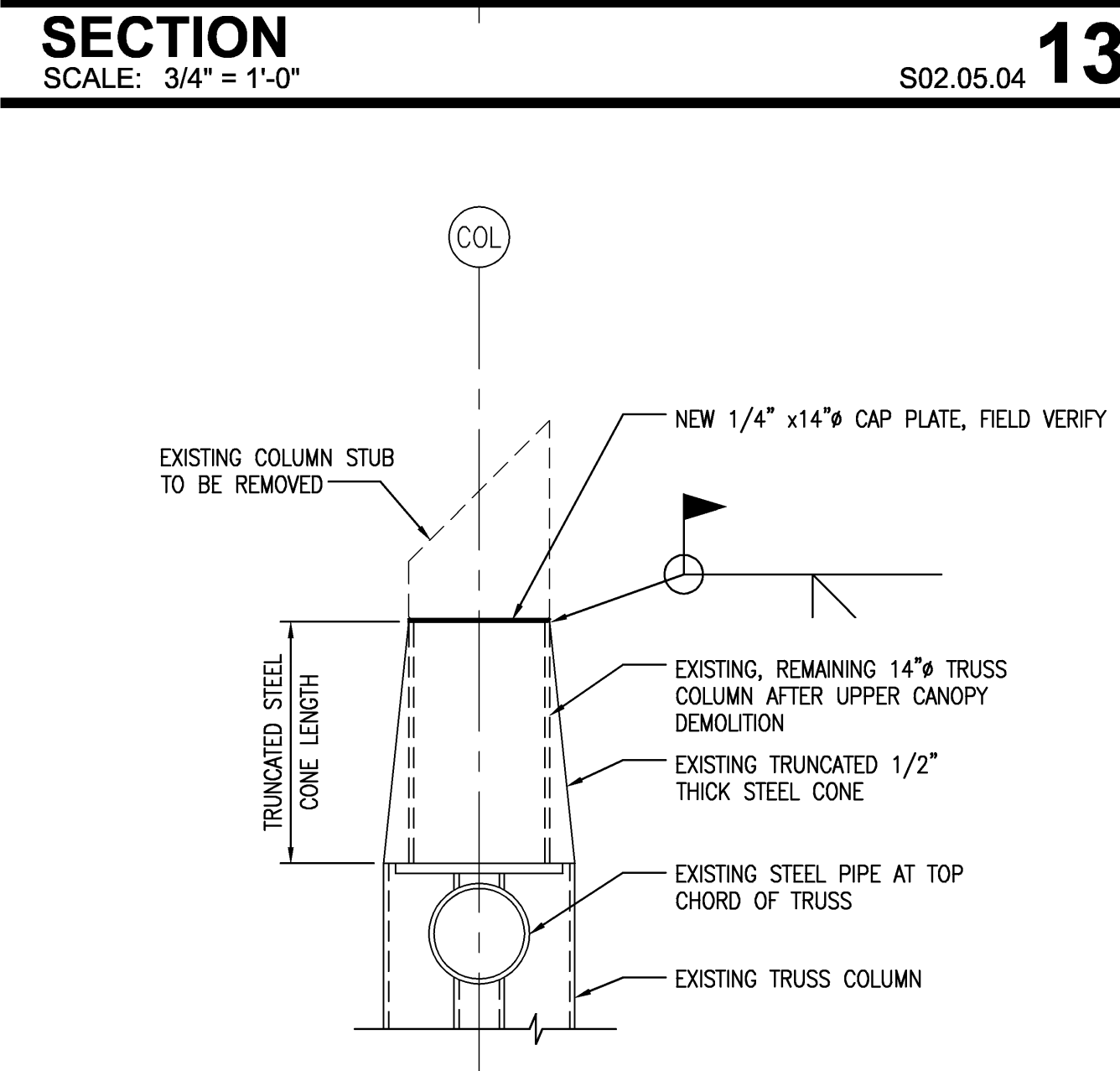
SECTION 21
SCALE: 3/4" = 1'-0"
S08.01, S02.RP.06



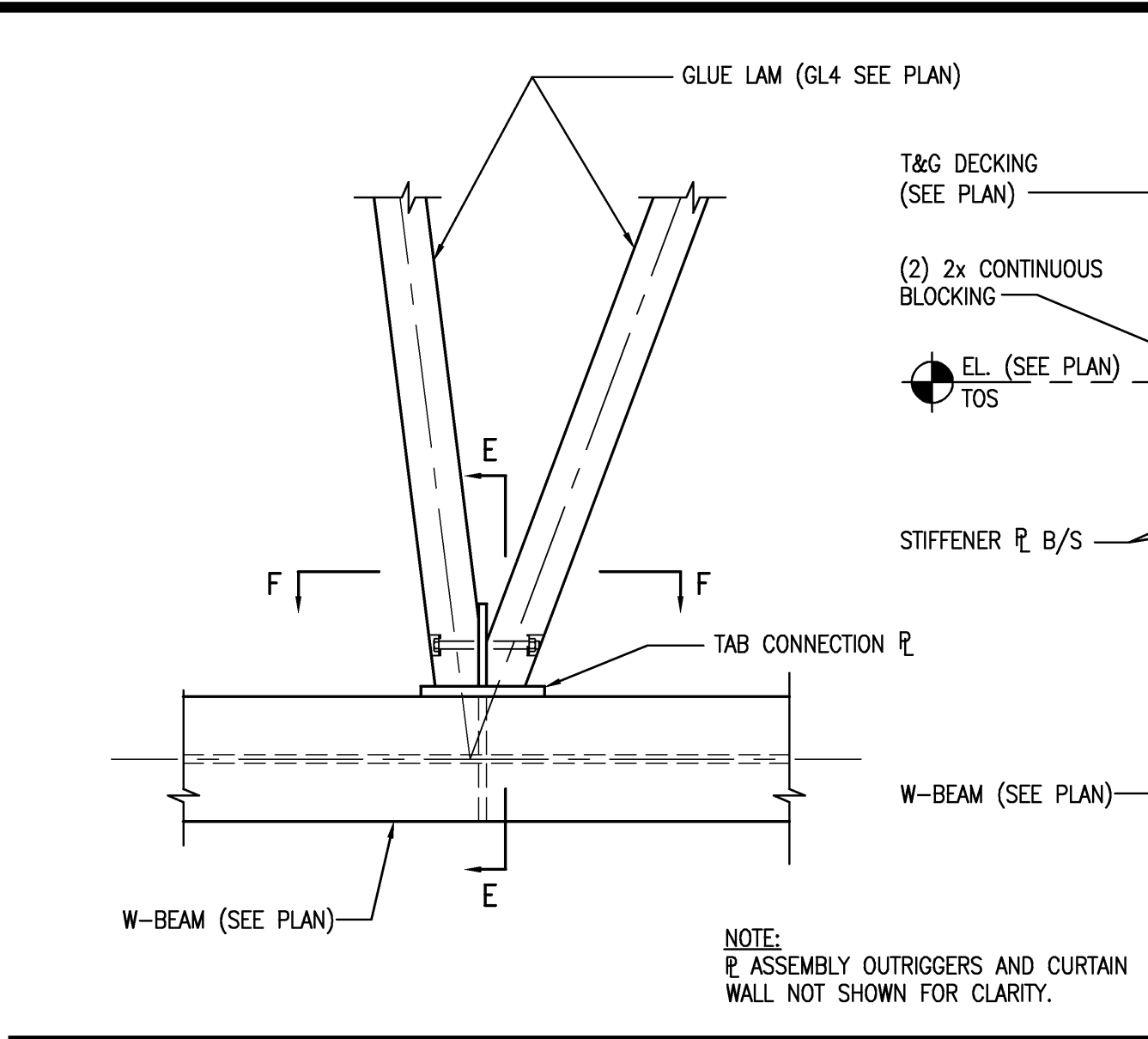
SECTION 22
SCALE: 3/4" = 1'-0"
S02.05.04



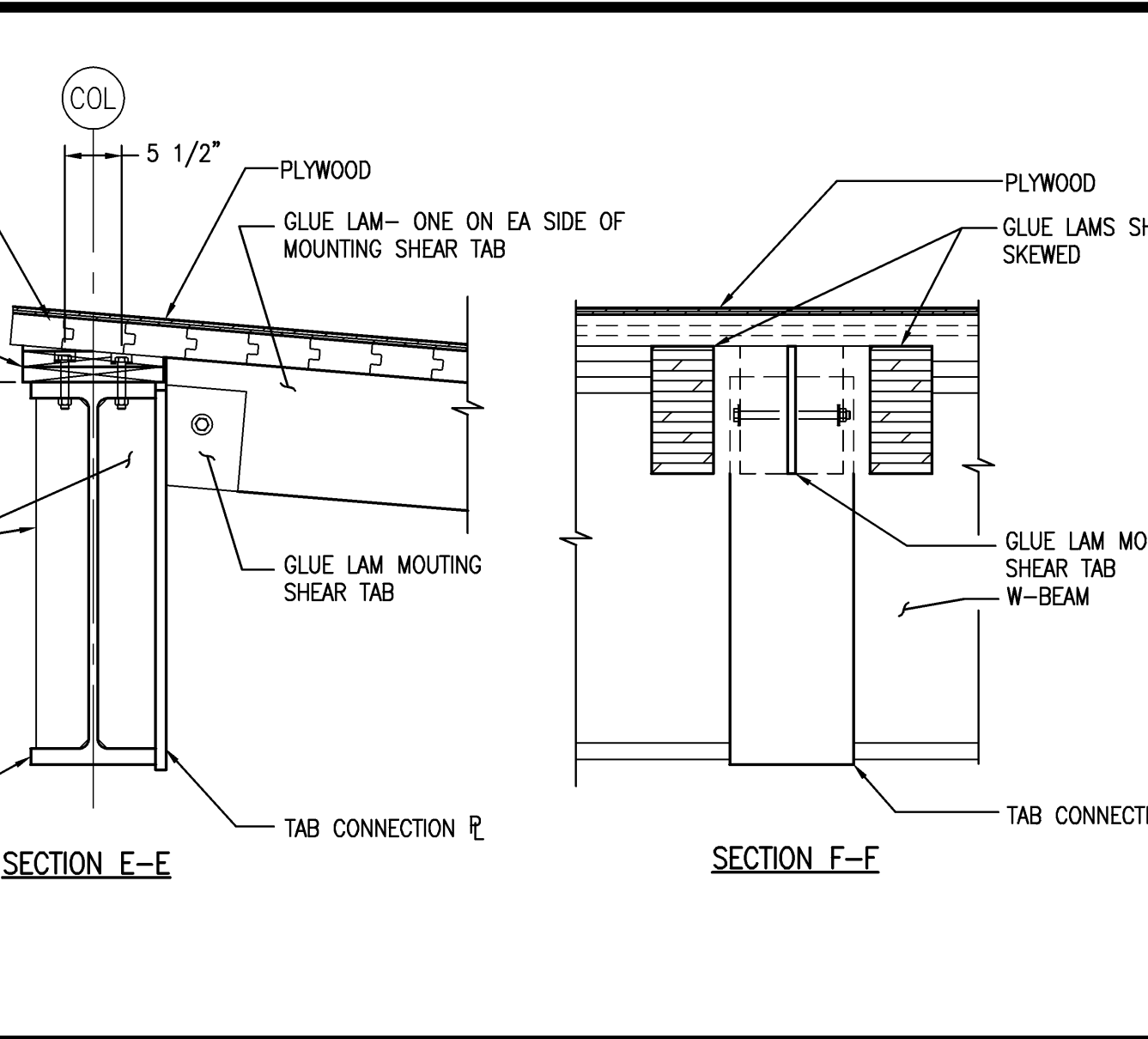
SECTION 23
SCALE: 3/4" = 1'-0"
S02.05.06



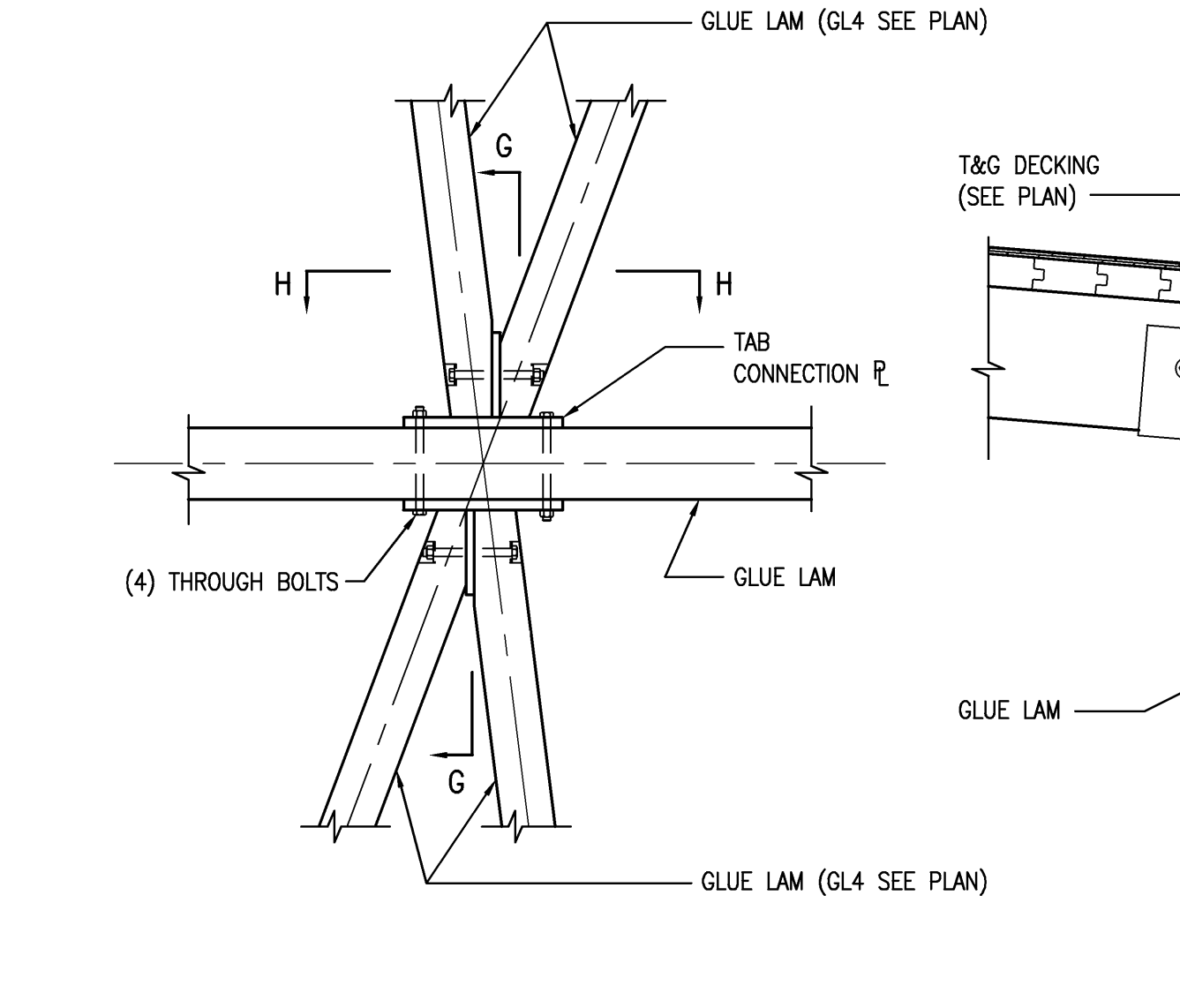
SECTION 24
SCALE: 3/4" = 1'-0"
S02.05.04



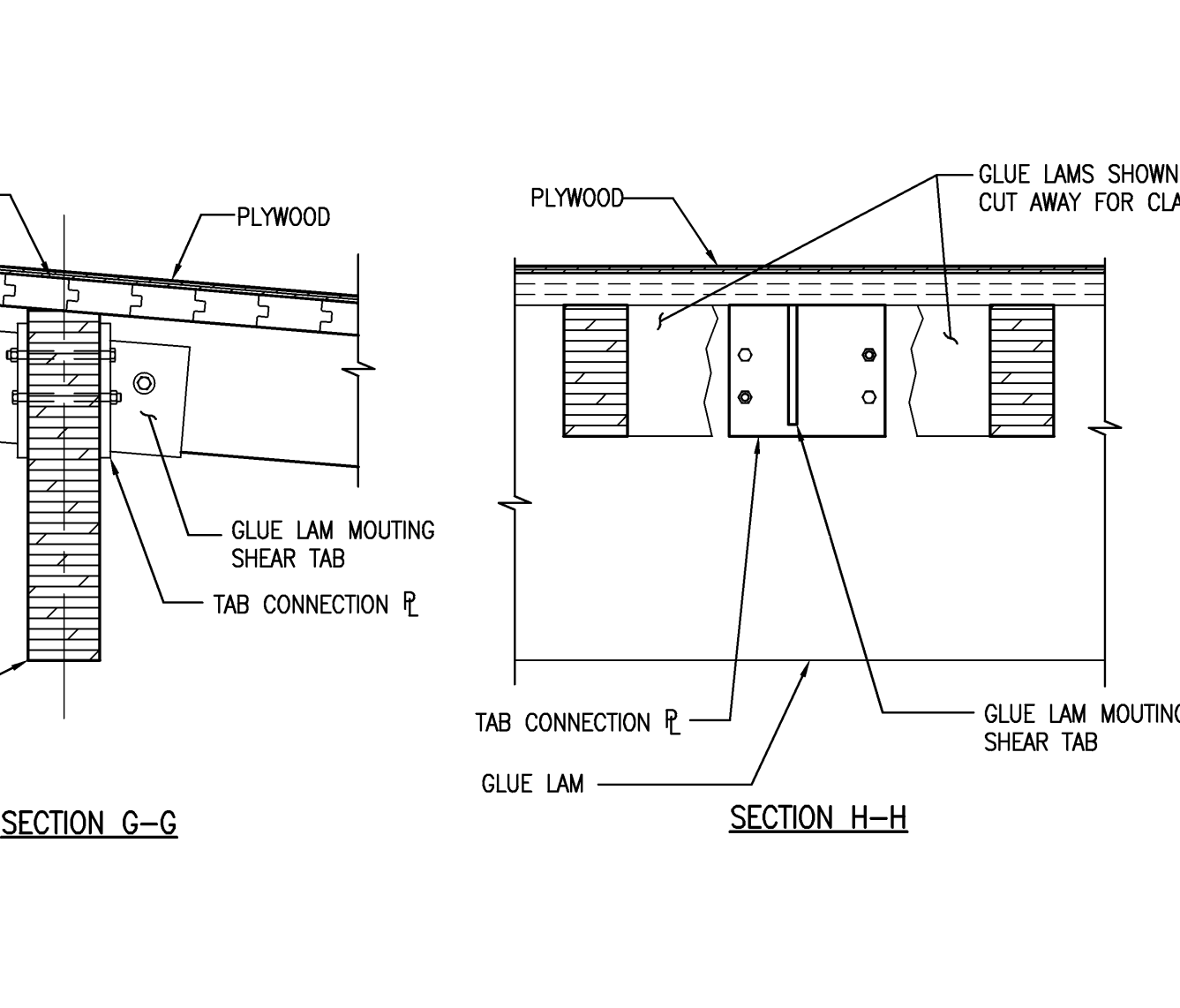
DETAIL 1
SCALE: 3/4" = 1'-0"
S02.RP.05



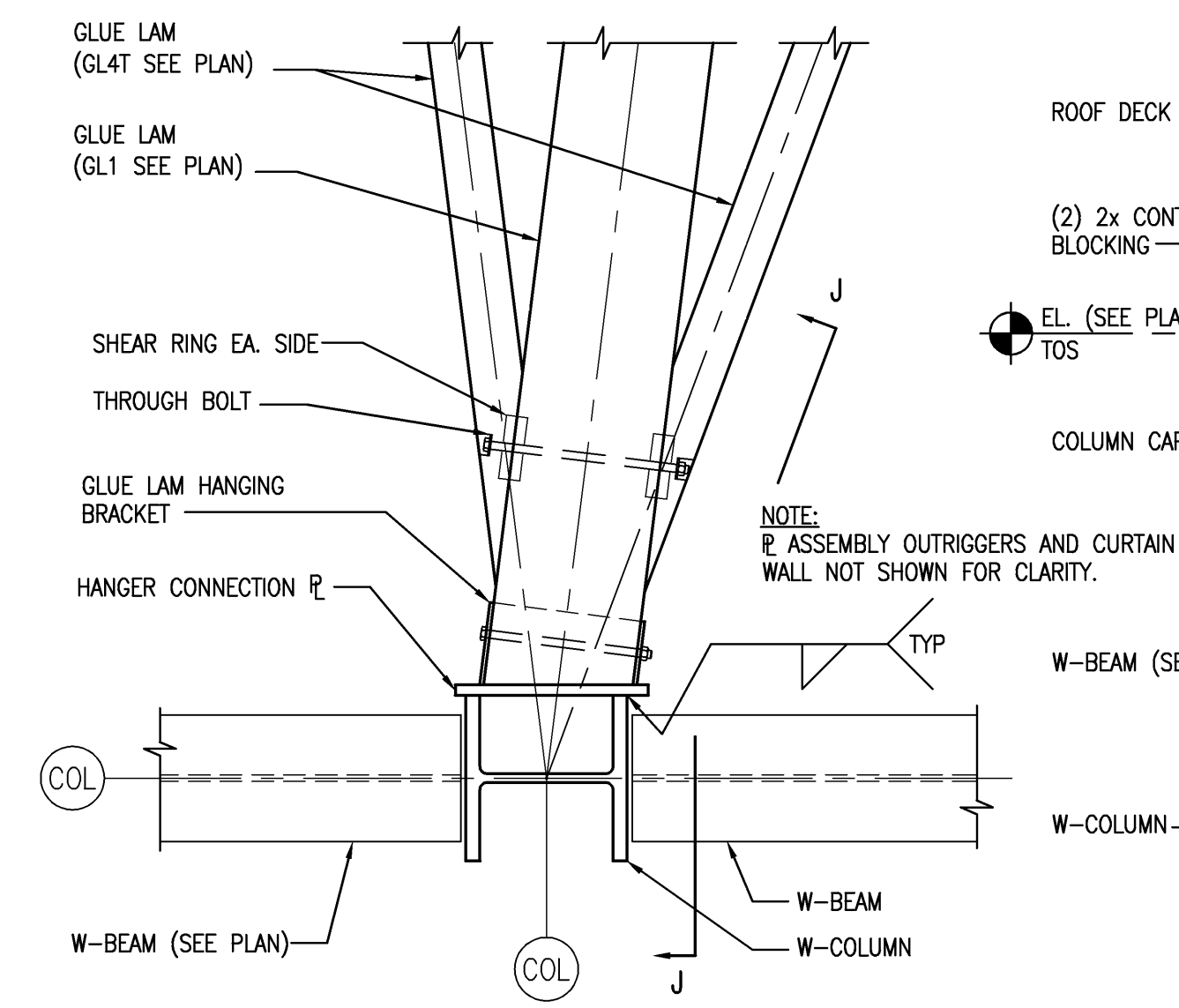
DETAIL 2
SCALE: 3/4" = 1'-0"
S02.RP.05



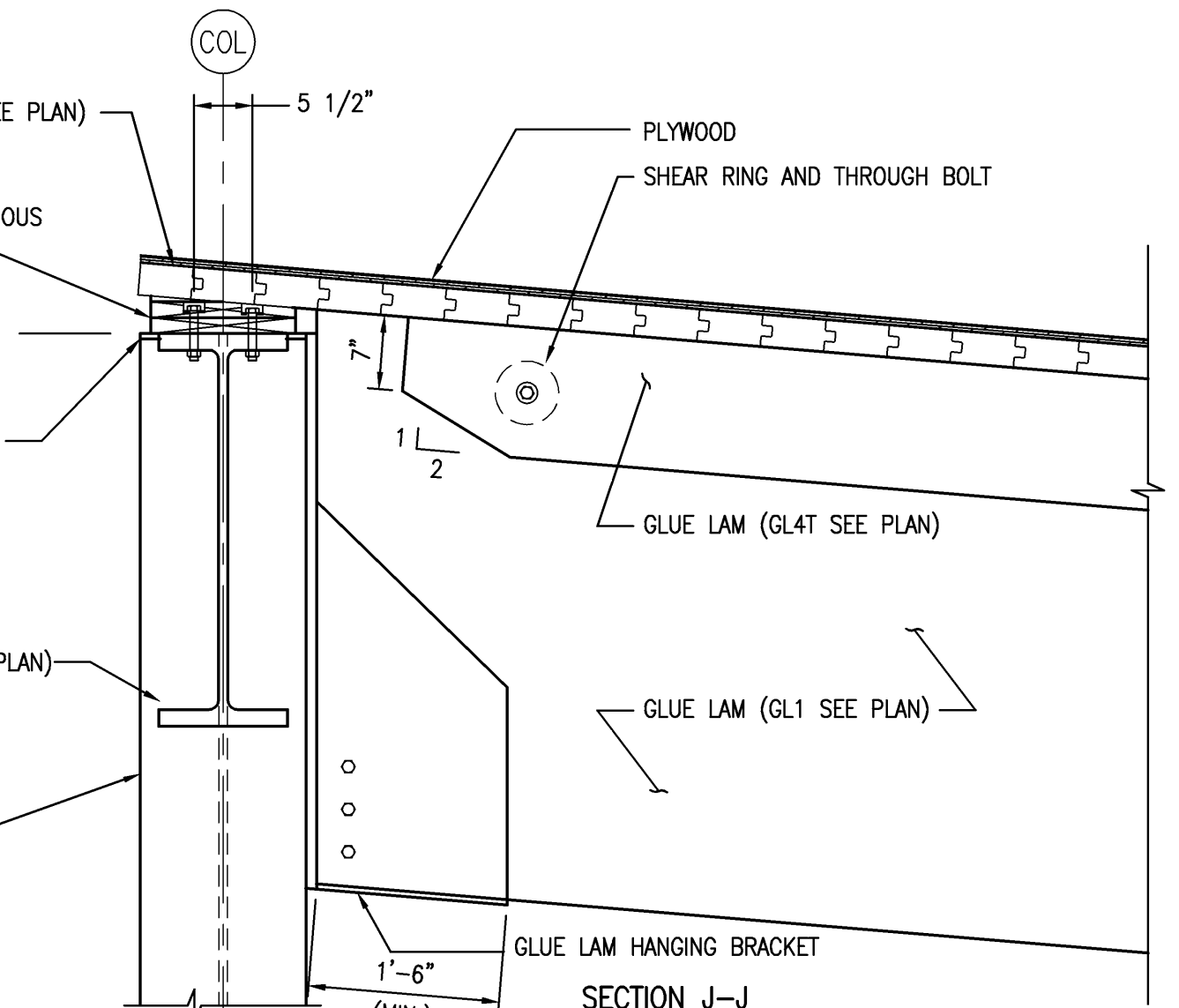
DETAIL 3
SCALE: 3/4" = 1'-0"
S02.RP.05



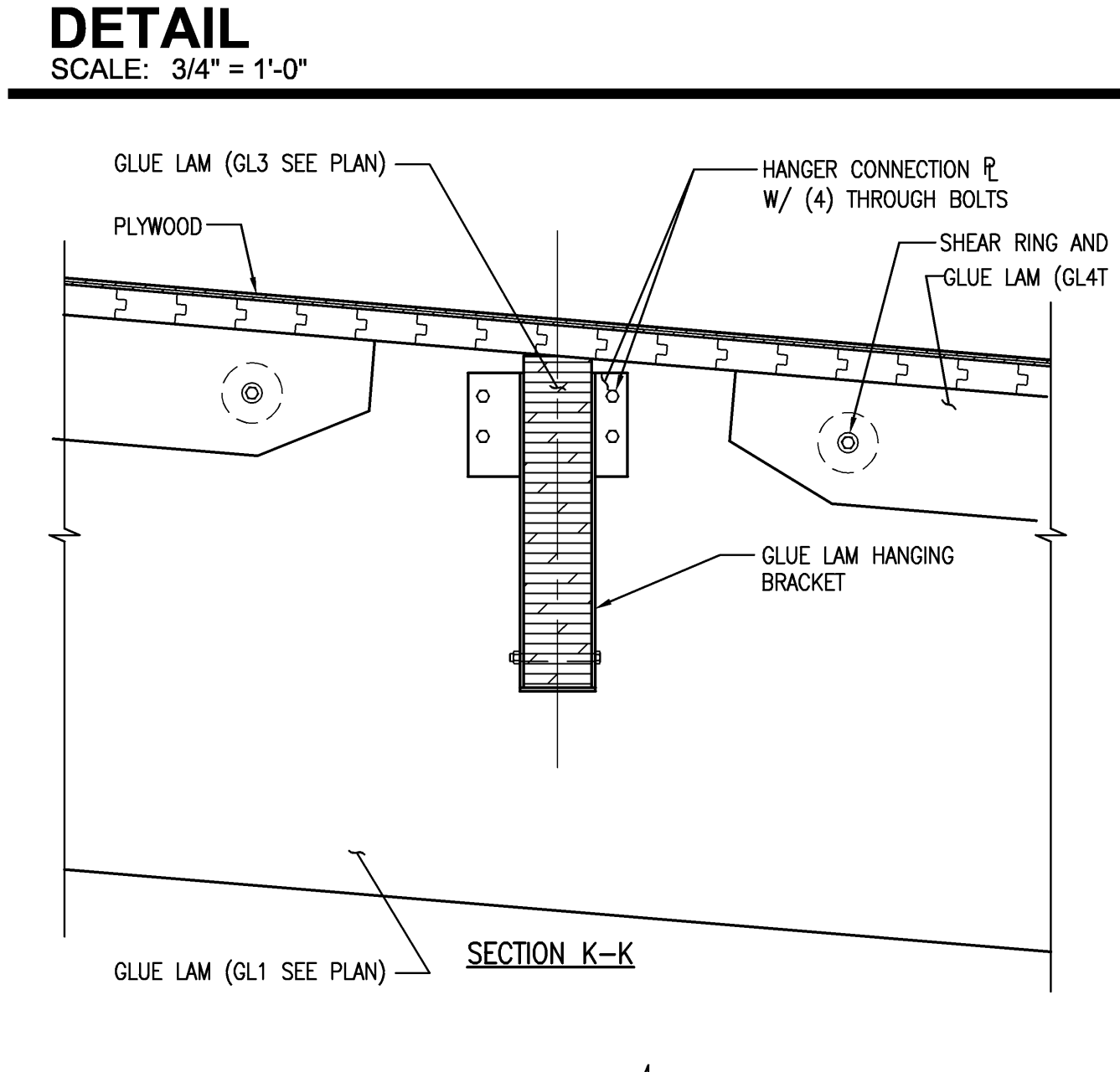
DETAIL 4
SCALE: 3/4" = 1'-0"
S02.RP.05



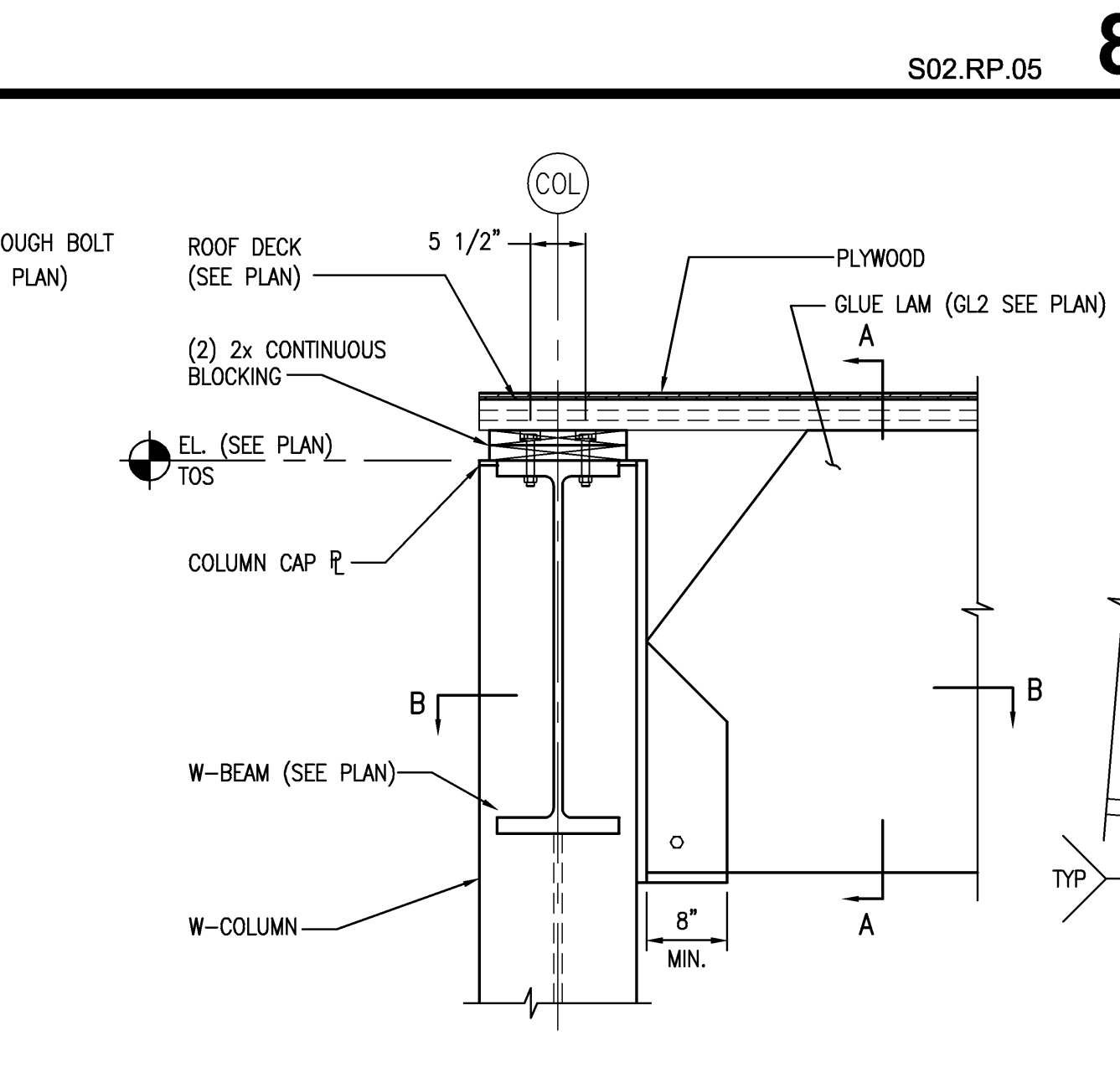
DETAIL 5
SCALE: 3/4" = 1'-0"
S02.RP.05



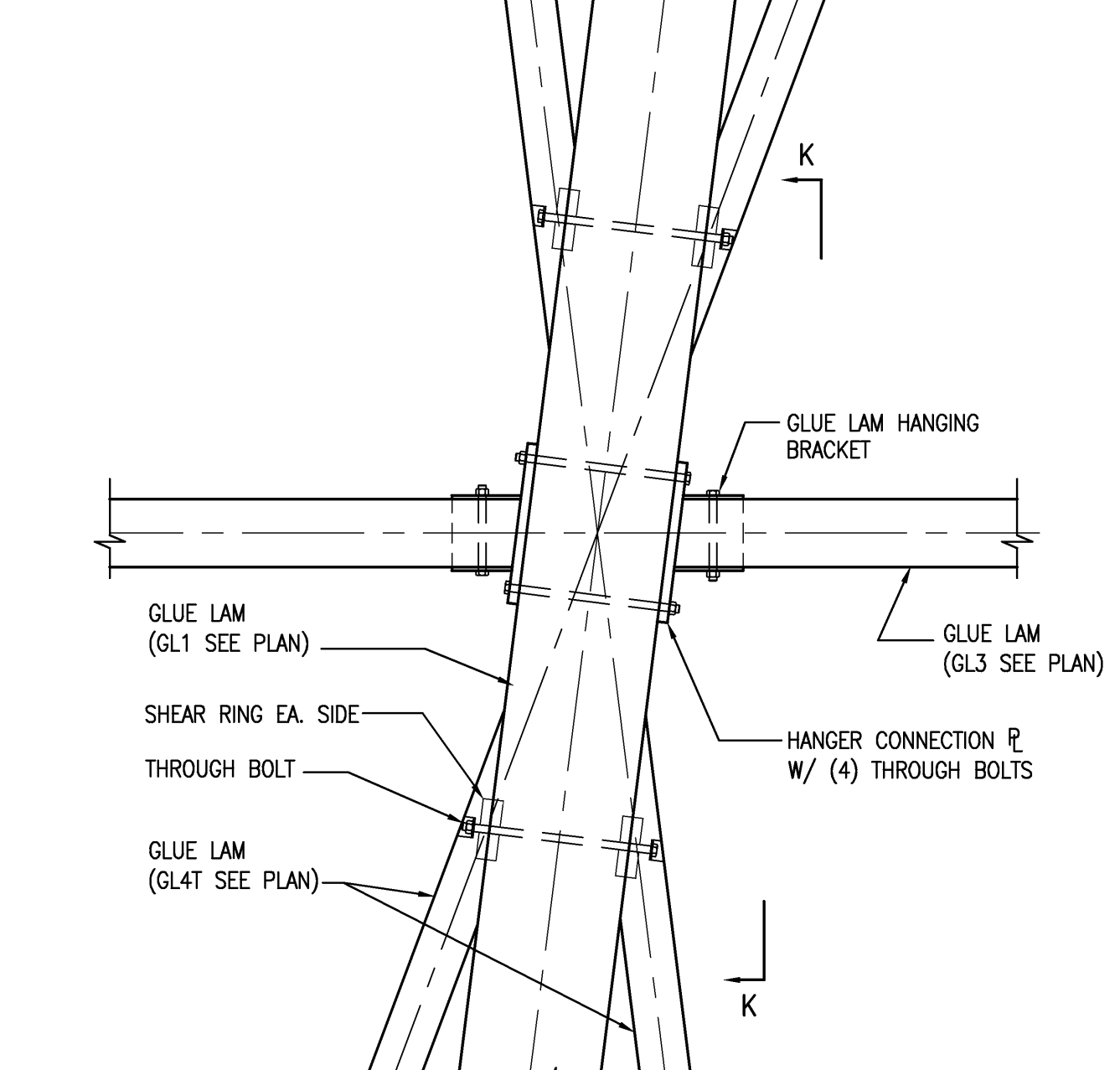
DETAIL 6
SCALE: 3/4" = 1'-0"
S02.RP.05



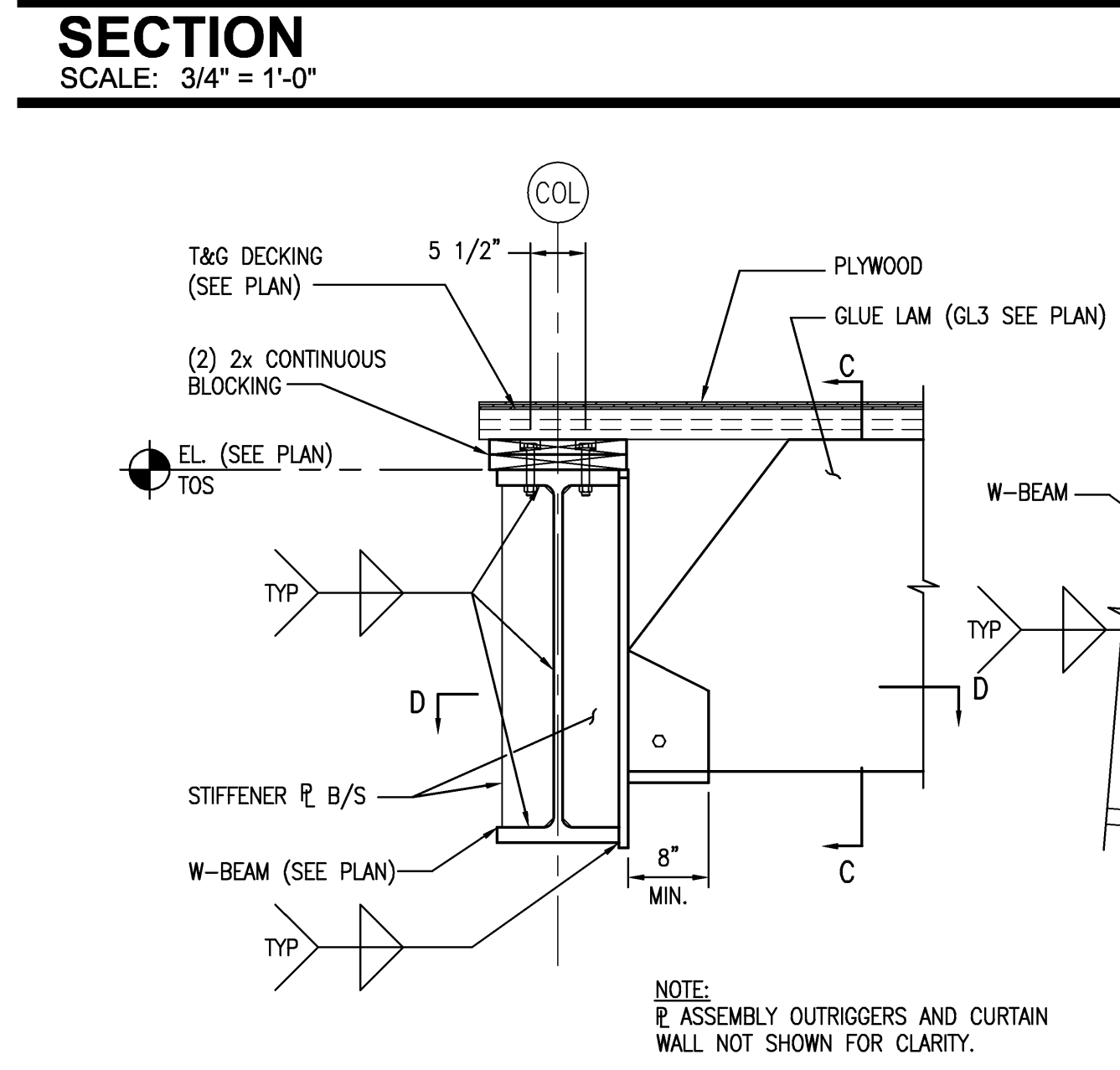
DETAIL 7
SCALE: 3/4" = 1'-0"
S02.RP.05



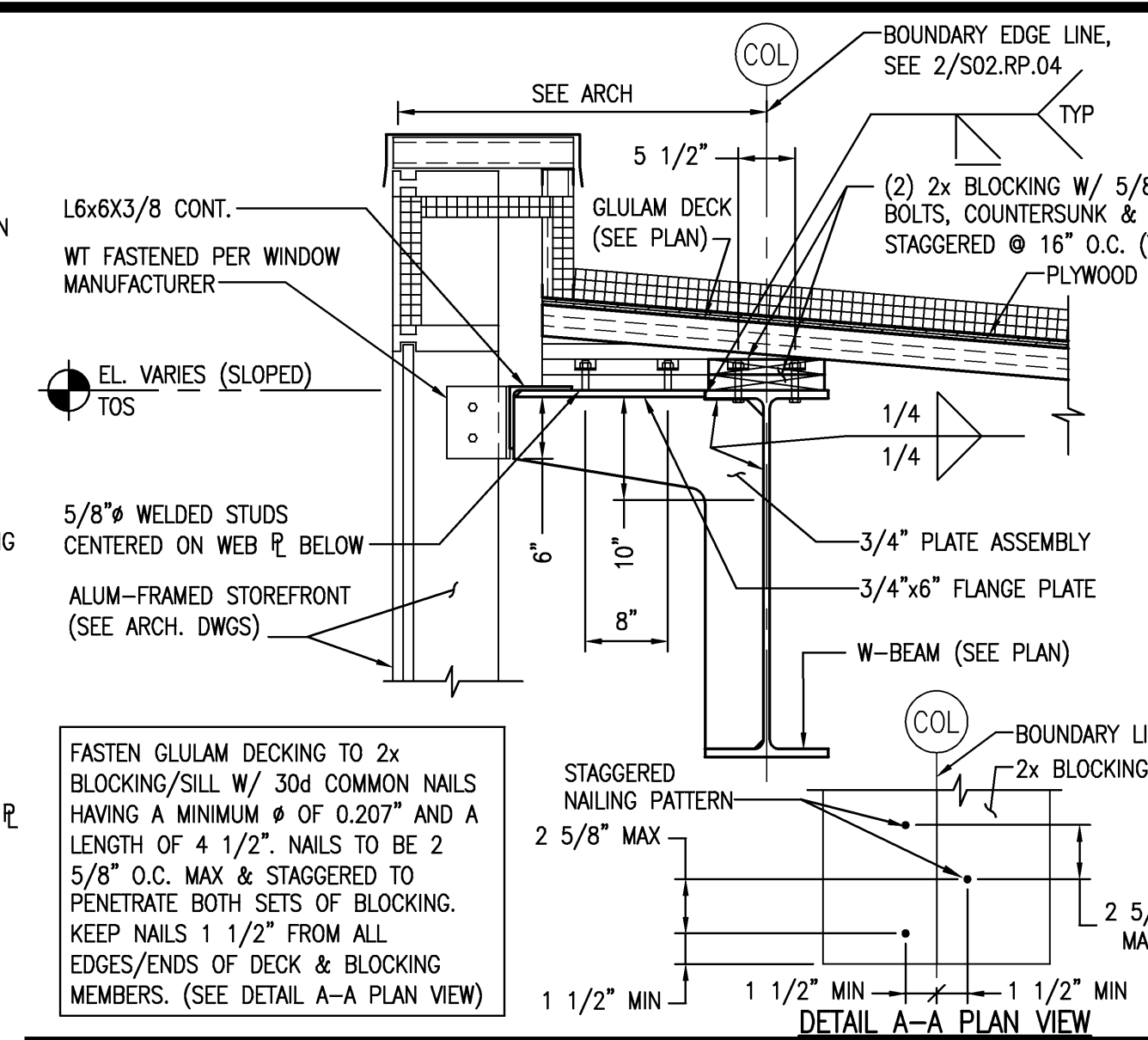
DETAIL 8
SCALE: 3/4" = 1'-0"
S02.RP.05



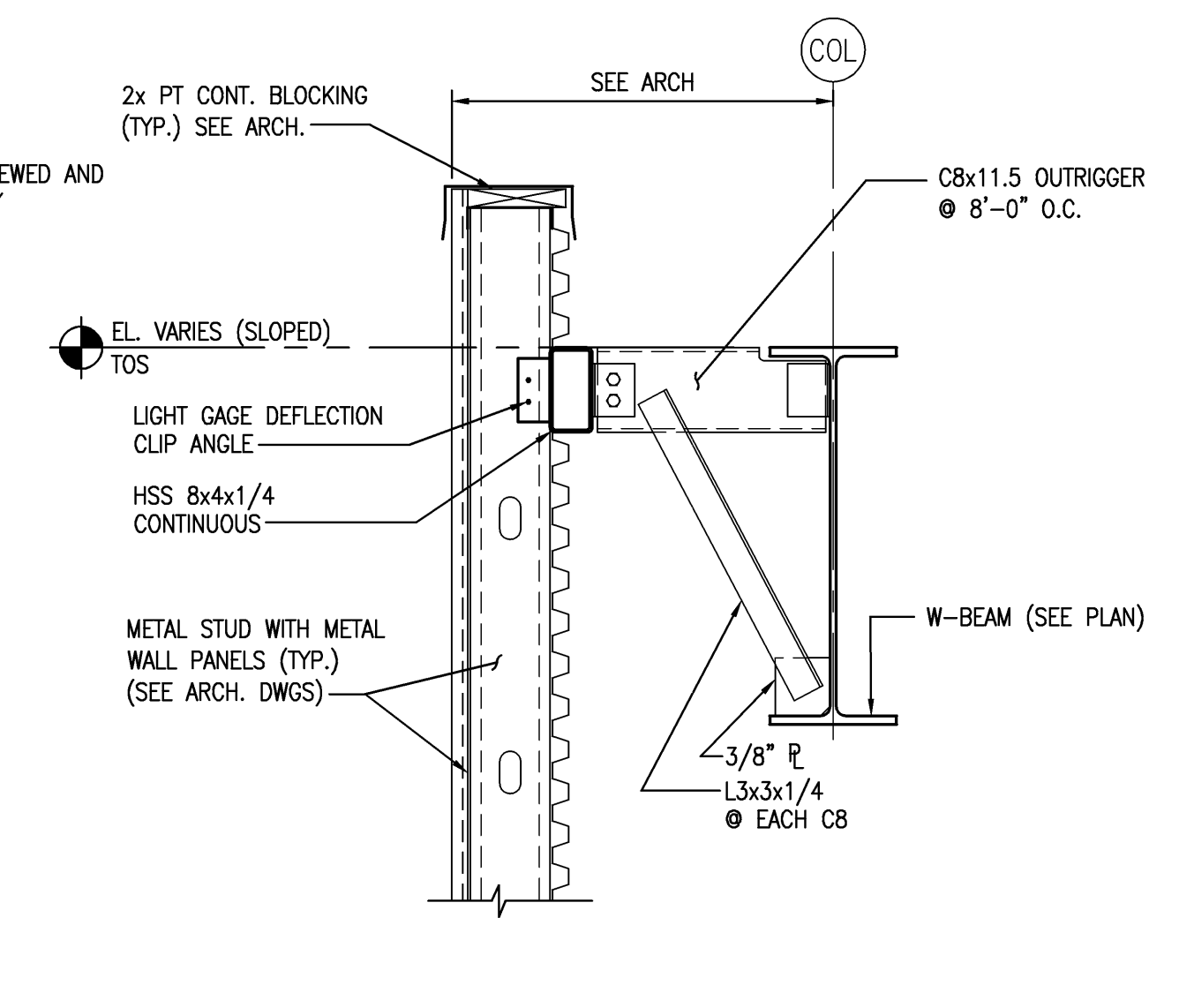
DETAIL 9
SCALE: 3/4" = 1'-0"
S02.RP.05



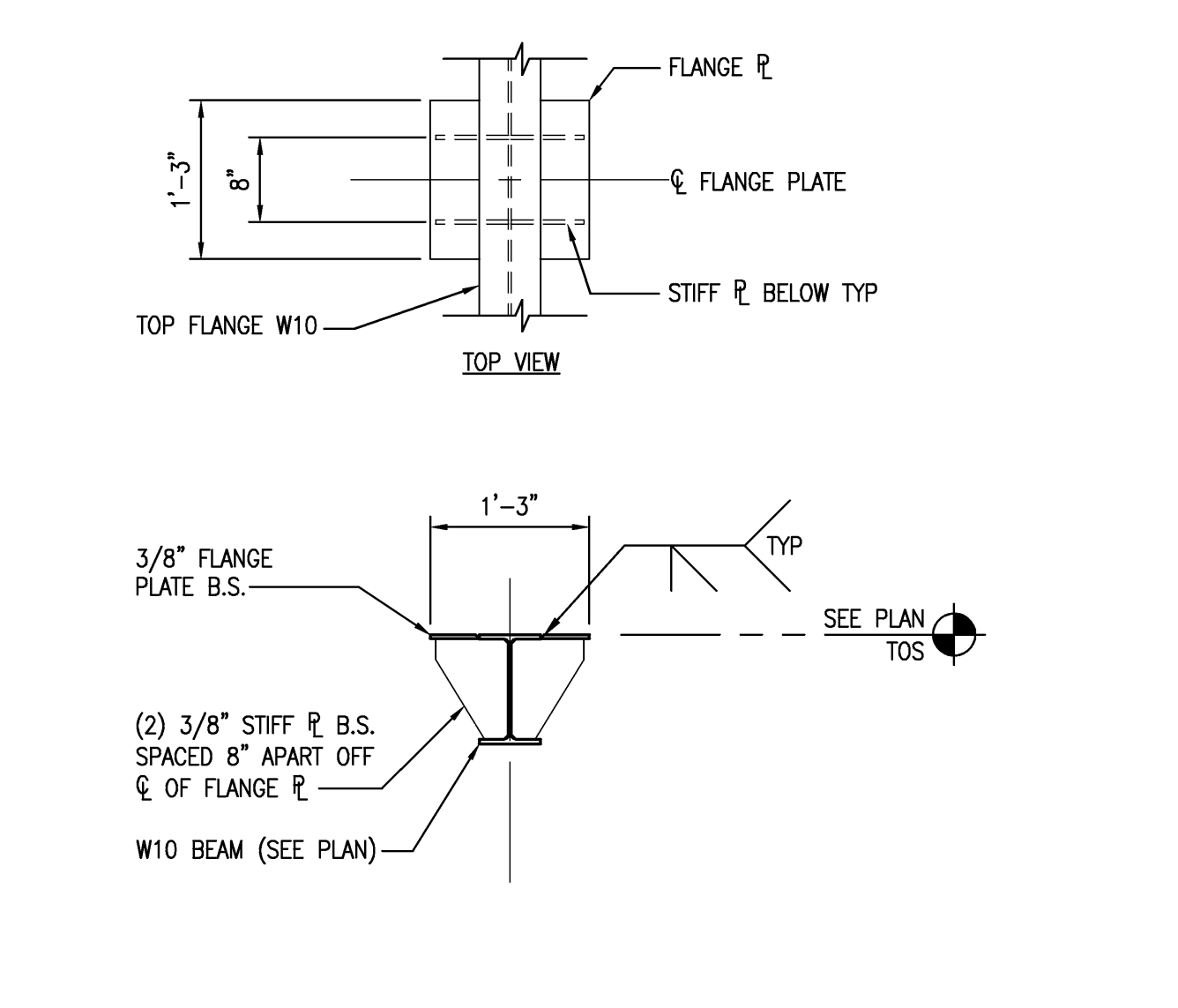
DETAIL 10
SCALE: 3/4" = 1'-0"
S02.RP.05



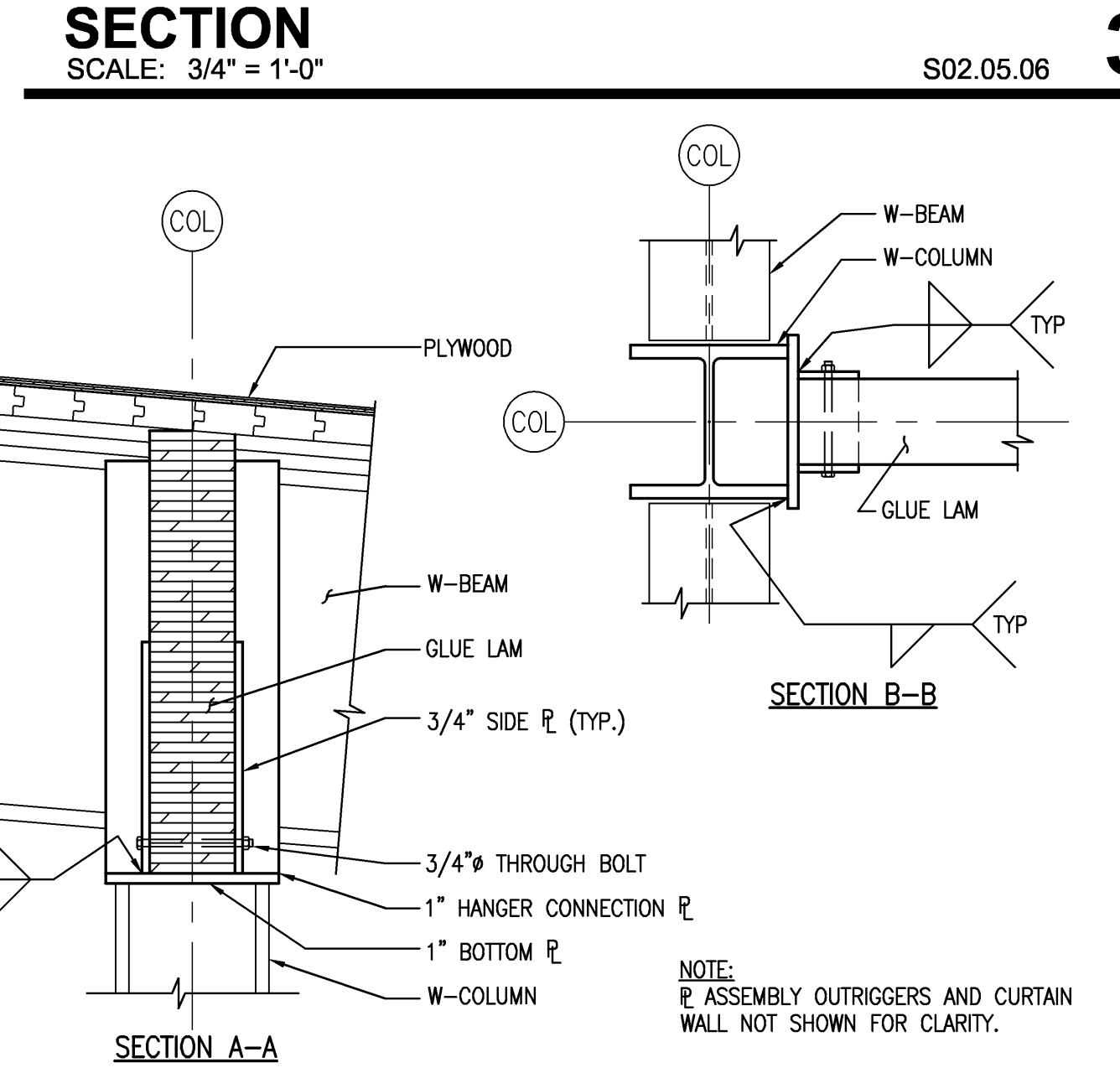
SECTION 25
SCALE: 3/4" = 1'-0"
S02.RP.04, S02.RP.05, S02.RP.06



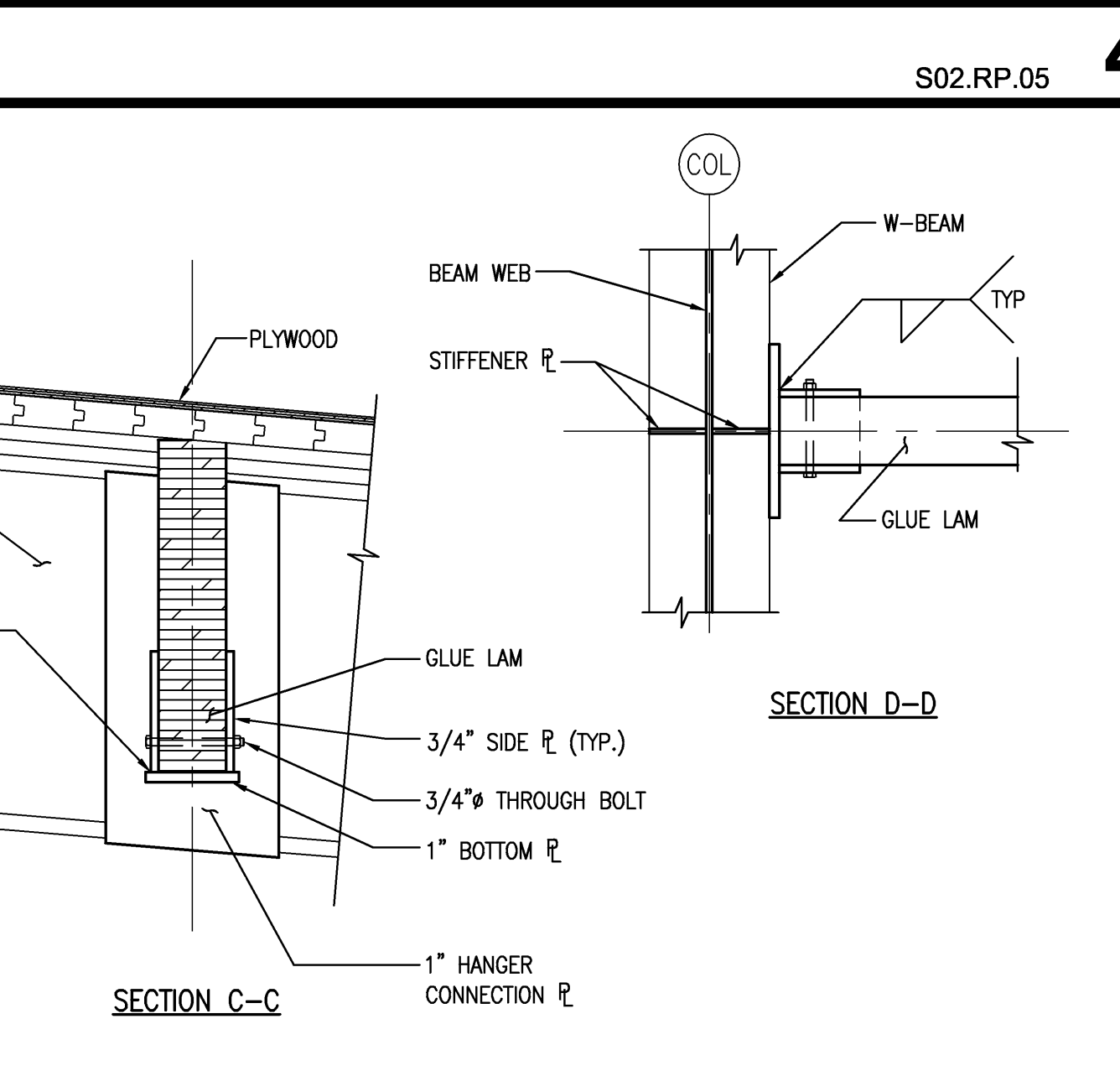
SECTION 26
SCALE: 3/4" = 1'-0"
S02.RP.06



SECTION 27
SCALE: 3/4" = 1'-0"
S02.05.06



SECTION 28
SCALE: 3/4" = 1'-0"
S02.RP.05



SECTION 29
SCALE: 3/4" = 1'-0"
S02.RP.05, S02.RP.06

Portland International Jetport
1001 Westbrook Street
Portland, Maine 04102

Gensler

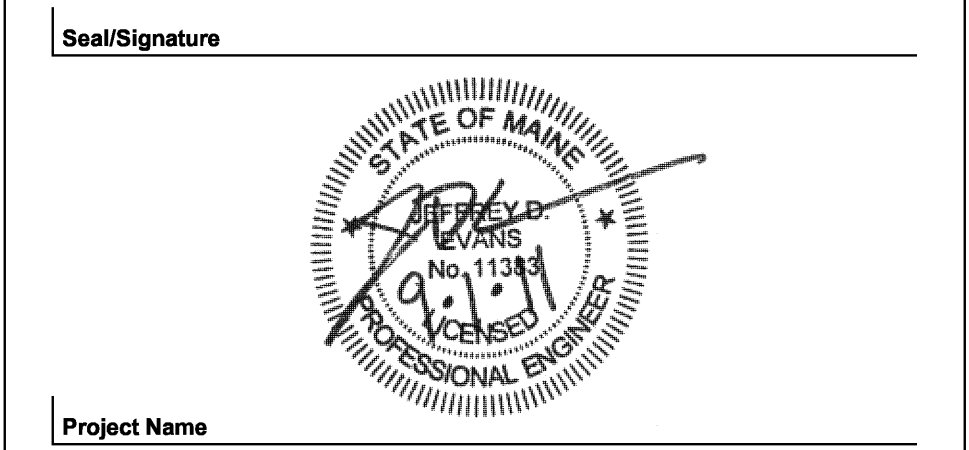
oest ASSOCIATES, INC.
engineers • architects • surveyors • construction managers

amec

343 Gorham Road, South Portland ME 04106
P: (207) 761-1770 F: (207) 774-1246 www.amec.com

THESE DRAWINGS ARE ISSUED FOR CONSTRUCTION AND REFLECT ALL AMEC ISSUED BULLETINS AND SKETCHES.

Issue	Date & Issue Description	By	Check
01	09/22/08 DESIGN DEVELOPMENT	JDE	---
02	12/03/08 75% CONSTRUCTION DOCUMENTS	JDE	---
03	01/23/09 95% CONSTRUCTION DOCUMENTS	JDE	---
04	10/26/09 ISSUED FOR PERMIT	JDE	---
05	01/12/10 BULLETIN #1	JDE	---
06	02/03/10 BULLETIN #5	JDE	---
07	05/03/10 BULLETIN #10	JDE	---
145	09/01/11 ISSUED FOR CONSTRUCTION	JDE	---



Project Name: PVM Terminal Enhancement
Project Number: 08.0395.000
CAD File Name: T:\S330101\SHEETS\S12.50.DWG
Description: FRAMING SECTIONS & DETAILS - ROOF

Scale: AS NOTED

S12.50

©2009 Gensler