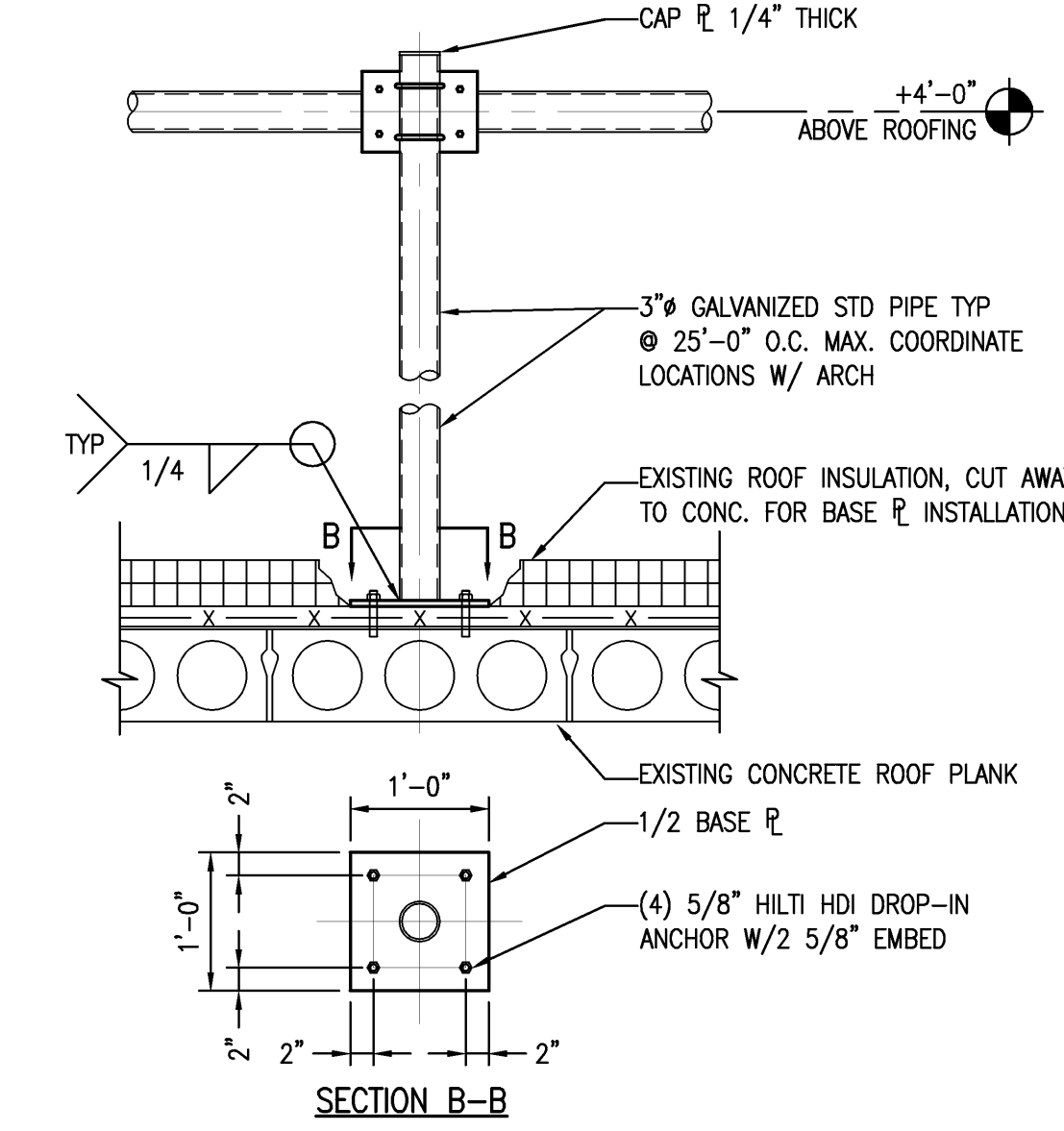
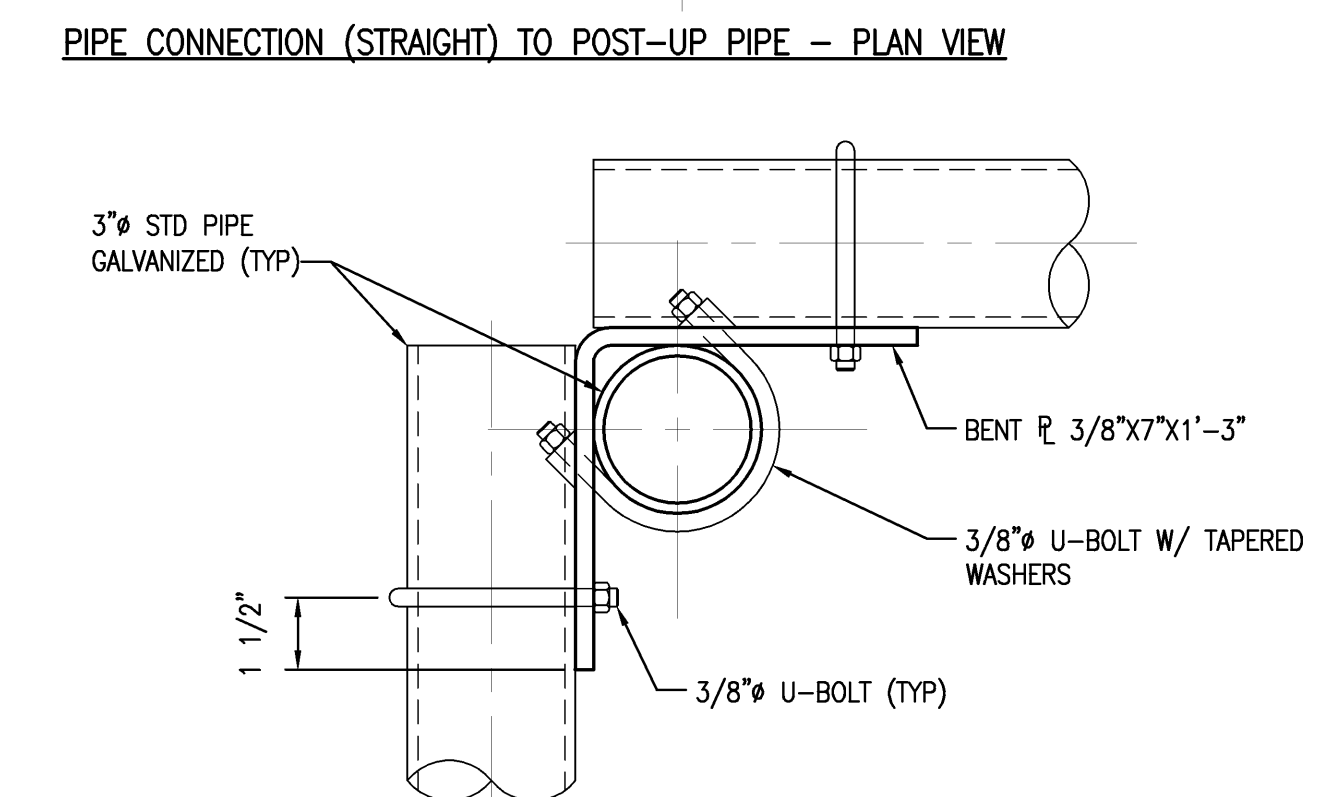
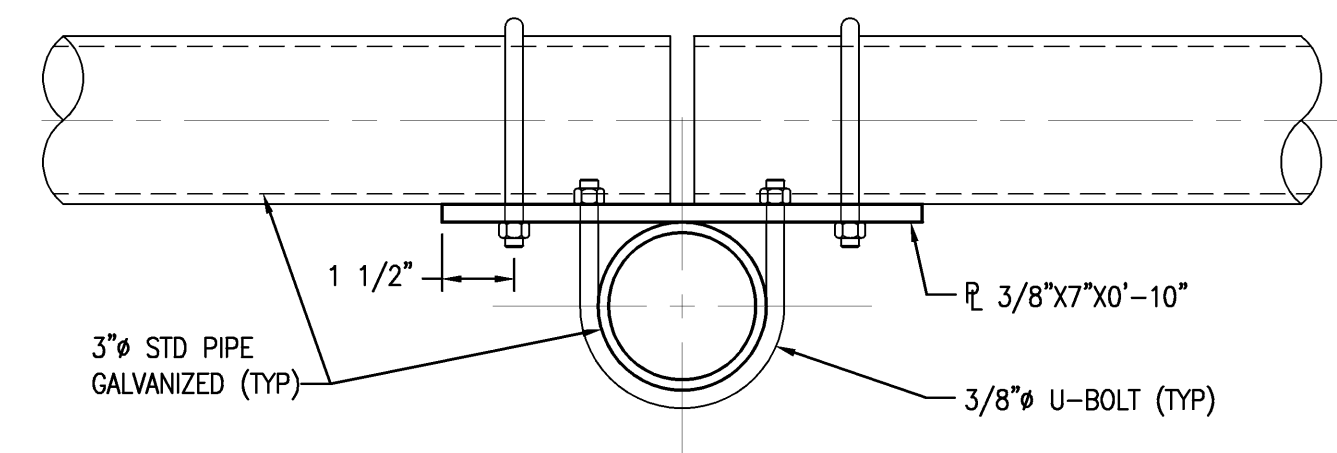


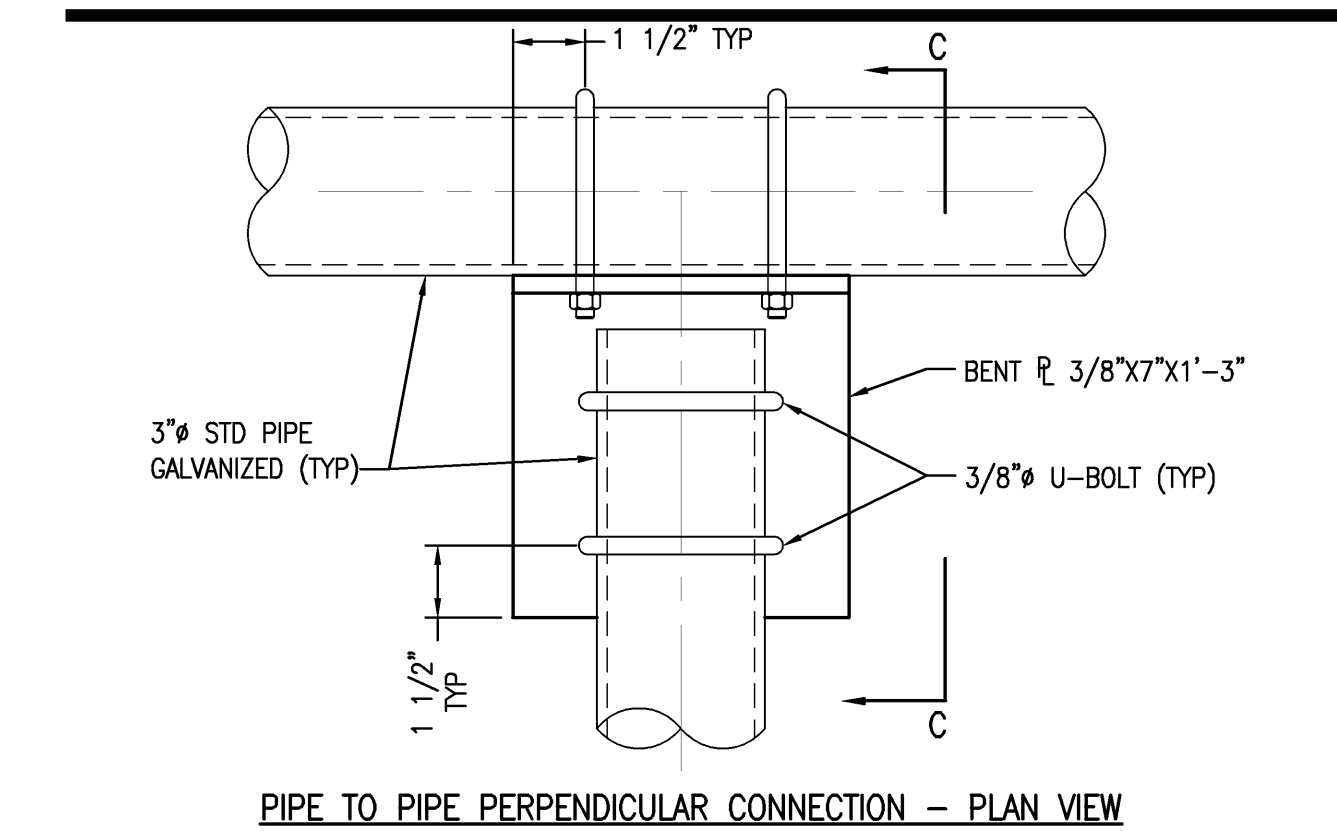
ANTENNA MOUNTING DETAIL 6
SCALE: 3/4" = 1'-0"



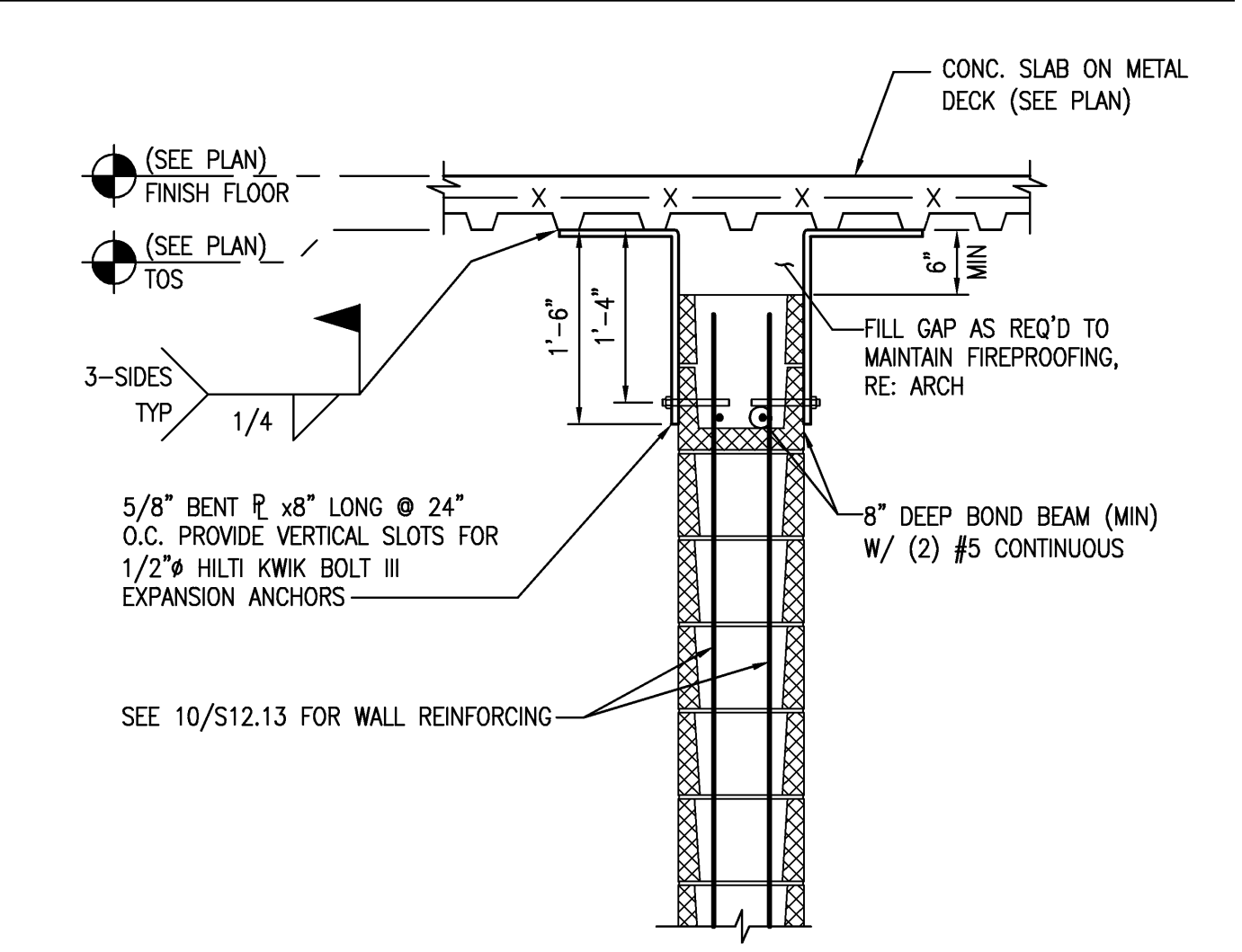
ANTENNA MOUNTING DETAIL 7
SCALE: 3/4" = 1'-0"



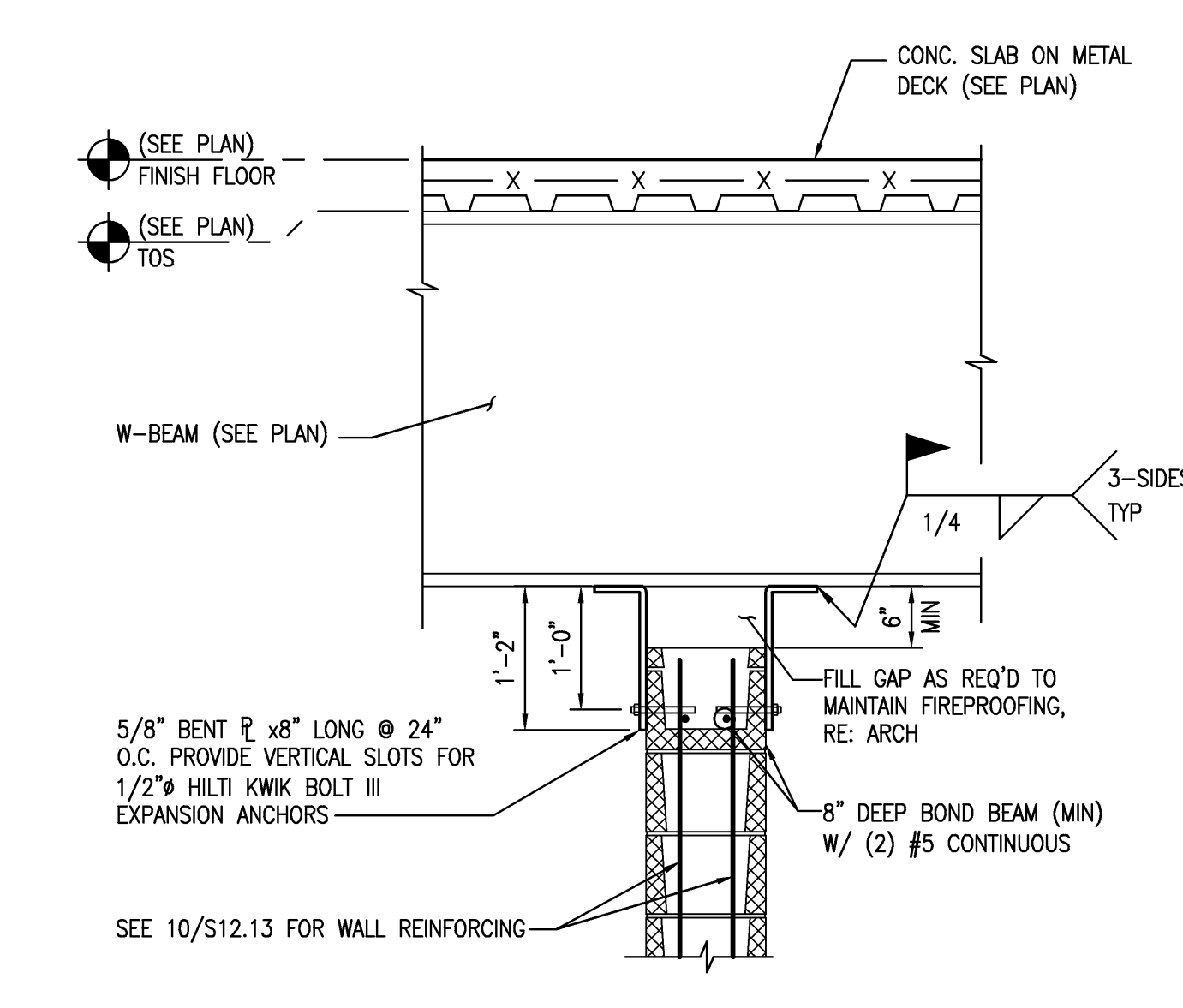
ANTENNA MOUNTING DETAILS 8
SCALE: 3" = 1'-0"



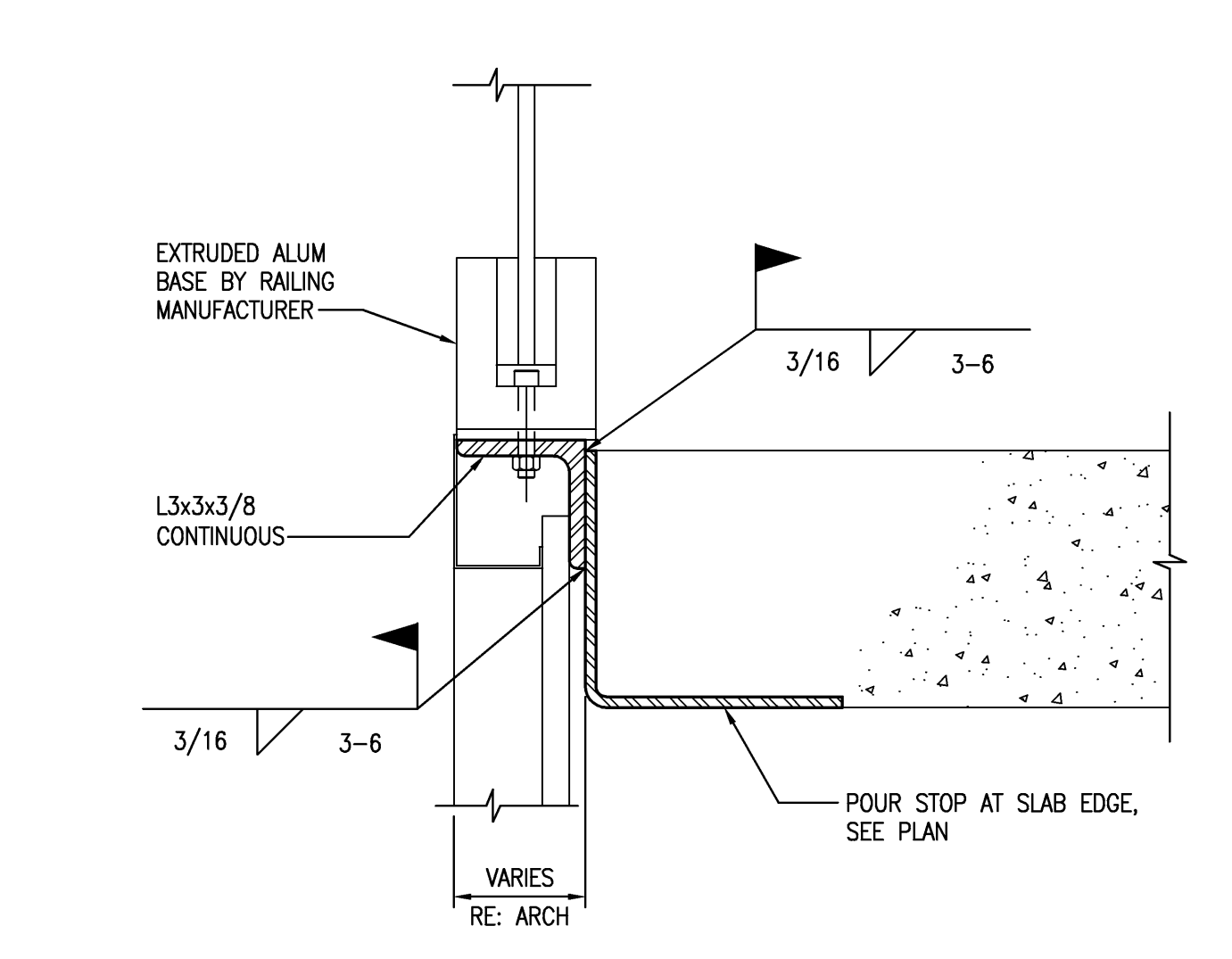
ANTENNA MOUNTING DETAILS 9
SCALE: 3" = 1'-0"



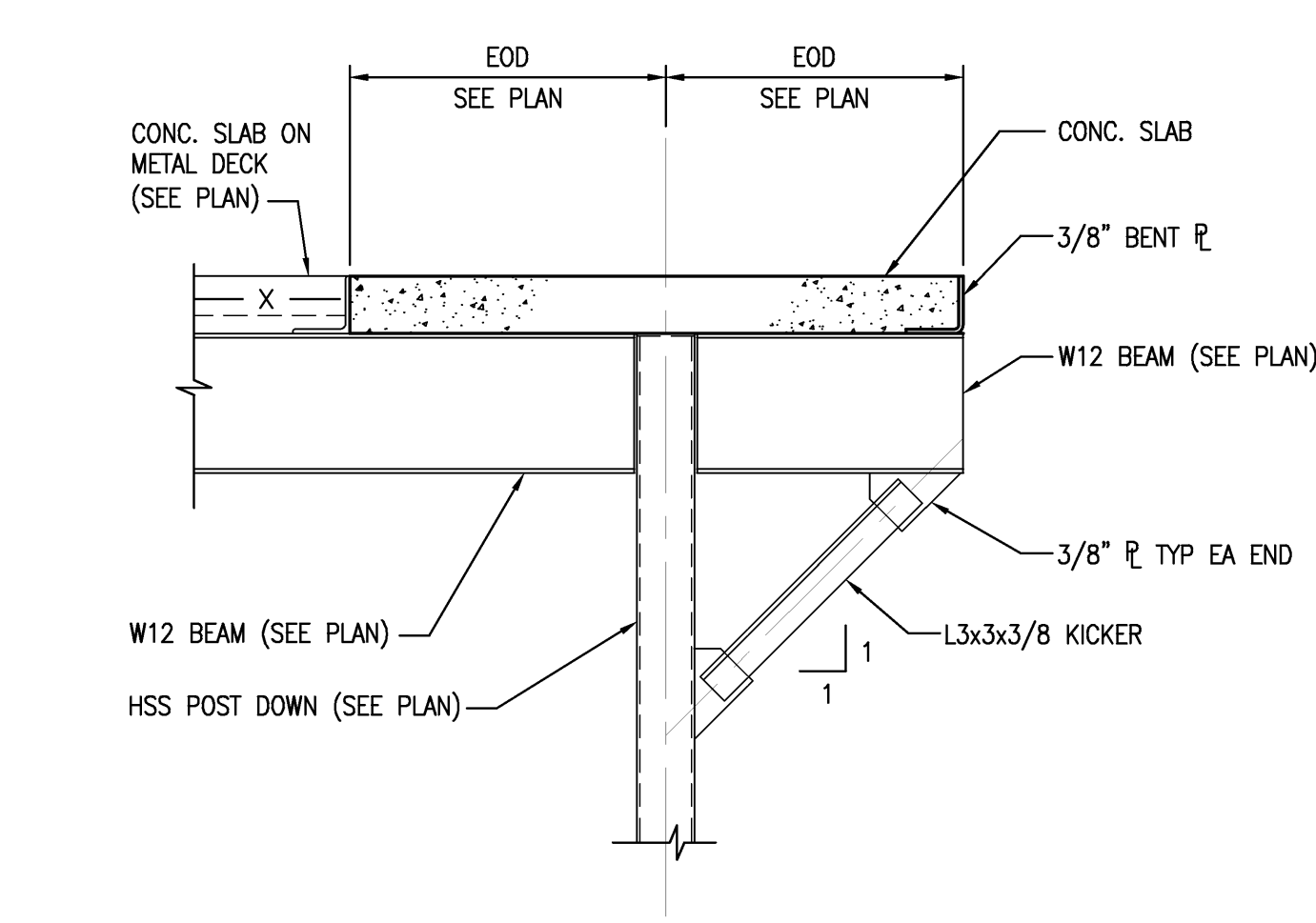
SECTION 1
SCALE: 3/4" = 1'-0"



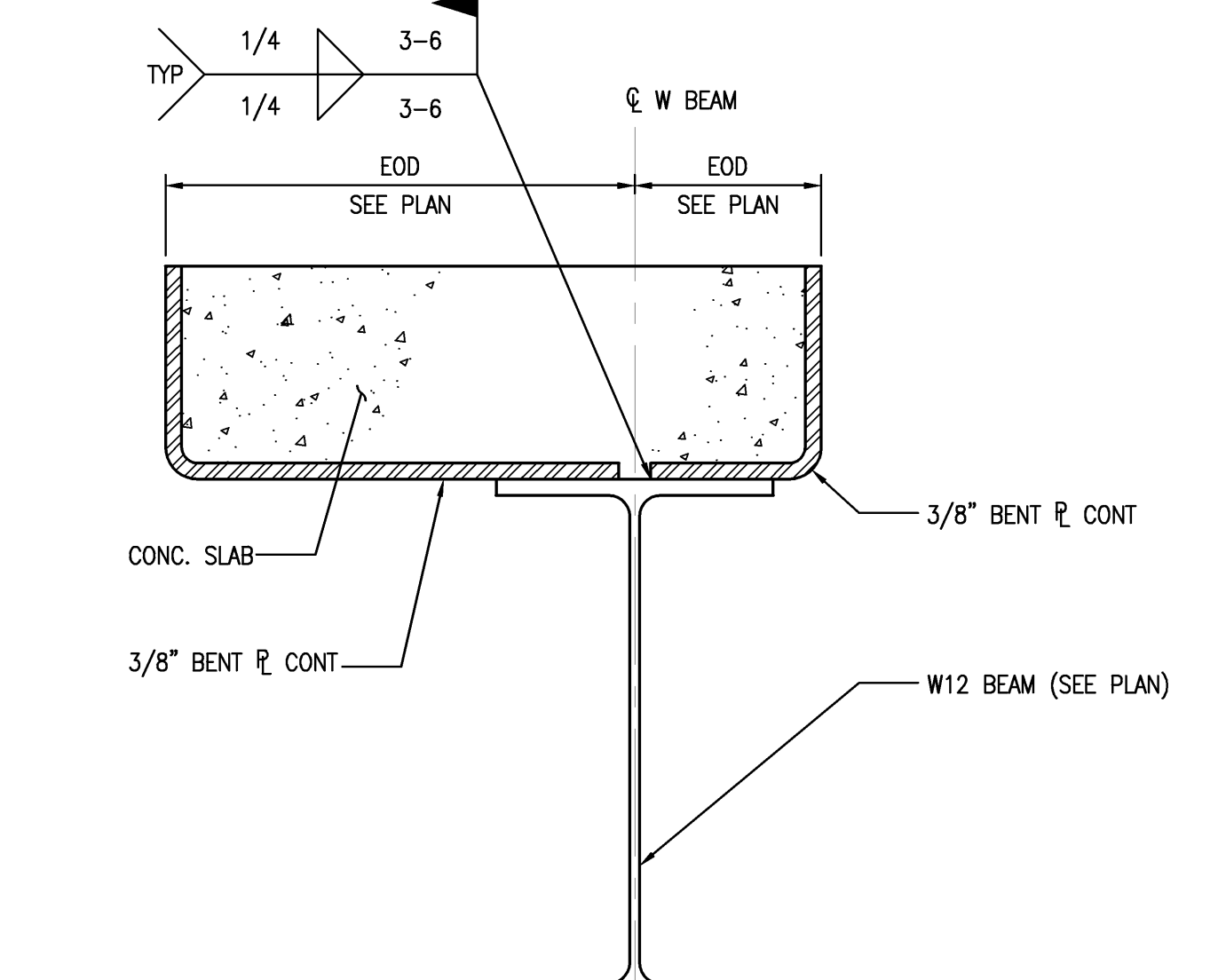
SECTION 2
SCALE: 3/4" = 1'-0"



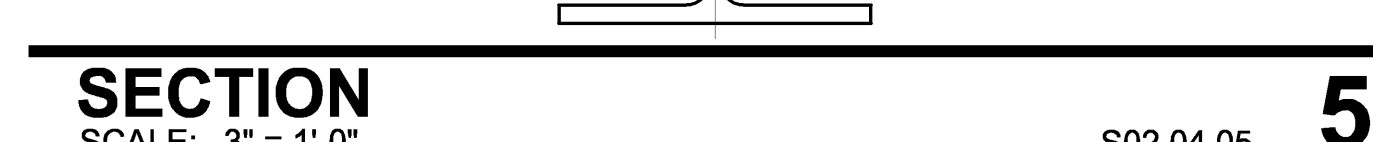
RAIL BASE DETAIL 3
SCALE: 3" = 1'-0"



SECTION 3
SCALE: 3/4" = 1'-0"



SECTION 4
SCALE: 3" = 1'-0"



SECTION 5
SCALE: 3" = 1'-0"

Portland International
Jetport
1001 Westbrook Street
Portland, Maine 04102

Gensler

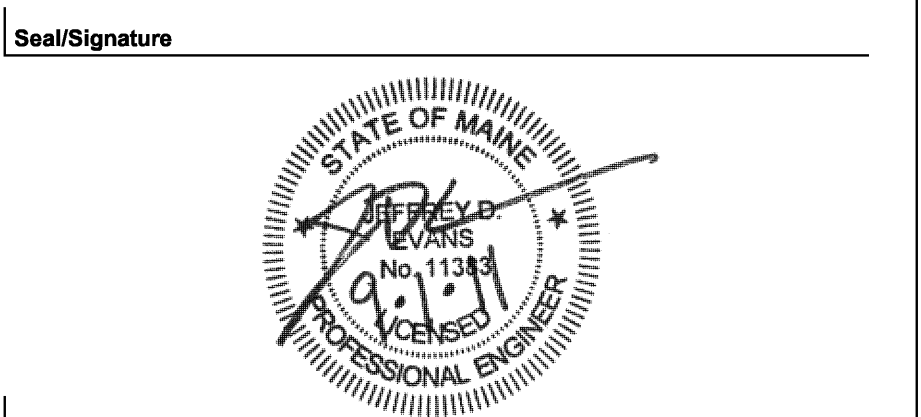
oest ASSOCIATES, INC.
engineers • architects • surveyors • construction managers

amec

343 Gorham Road, South Portland ME 04106
P: (207) 761-1770 F: (207) 774-1246 www.amec.com

THESE DRAWINGS ARE ISSUED FOR CONSTRUCTION AND REFLECT ALL AMEC ISSUED BULLETINS AND SKETCHES.

Issue	Date & Issue Description	By	Check
01	09/20/10	JDE	--
ADDED NEW SECTIONS			
145	09/01/11	JDE	--
ISSUED FOR CONSTRUCTION			



Project Name
PWM Terminal Enhancement

Project Number
08.6395.000

CAD File Name
T:\5330101\SHEETS\S12.33.DWG

Description
FRAMING SECTIONS & DETAILS - LEVEL 4

Scale
AS NOTED

S12.33

©2009 Gensler