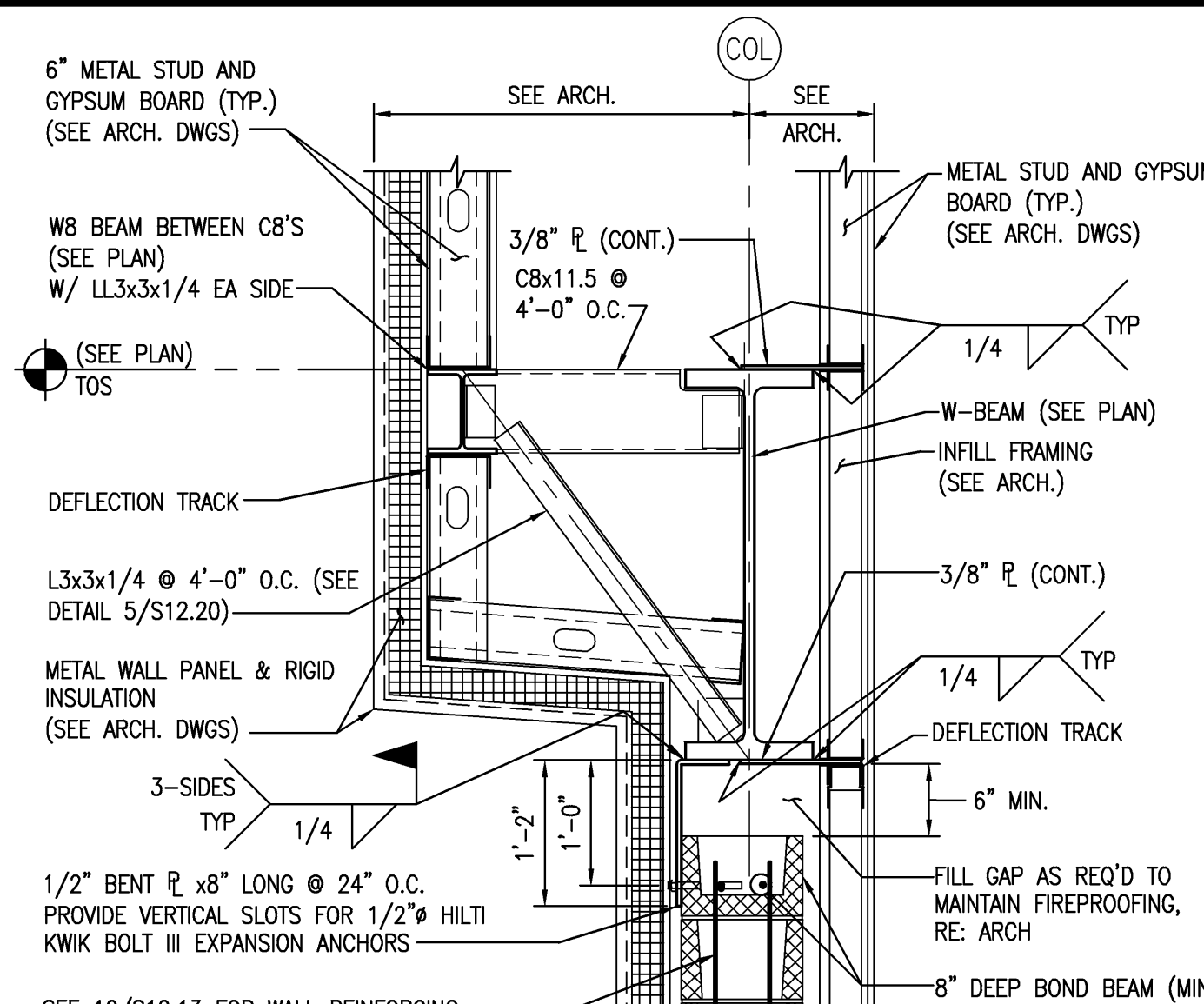
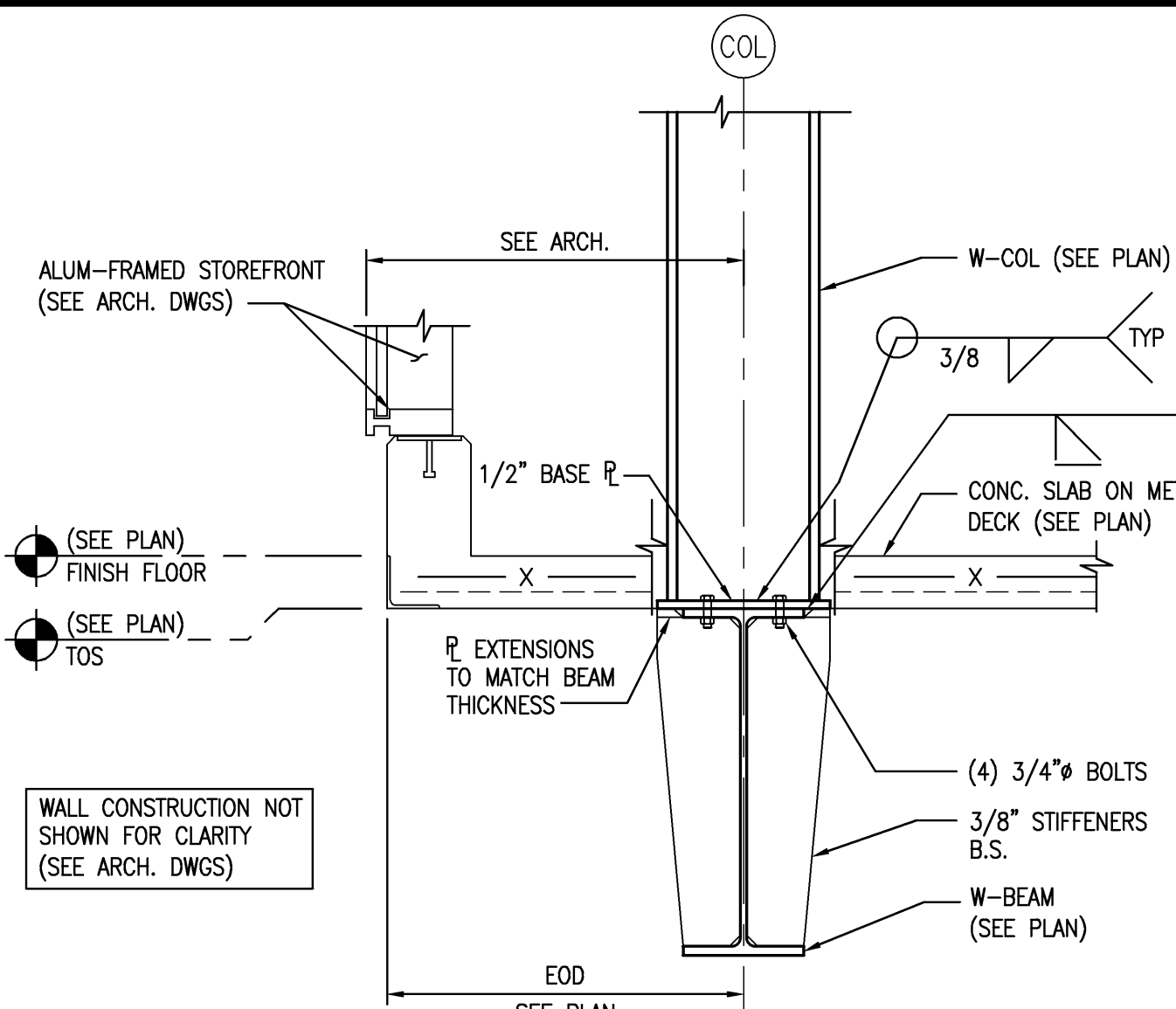


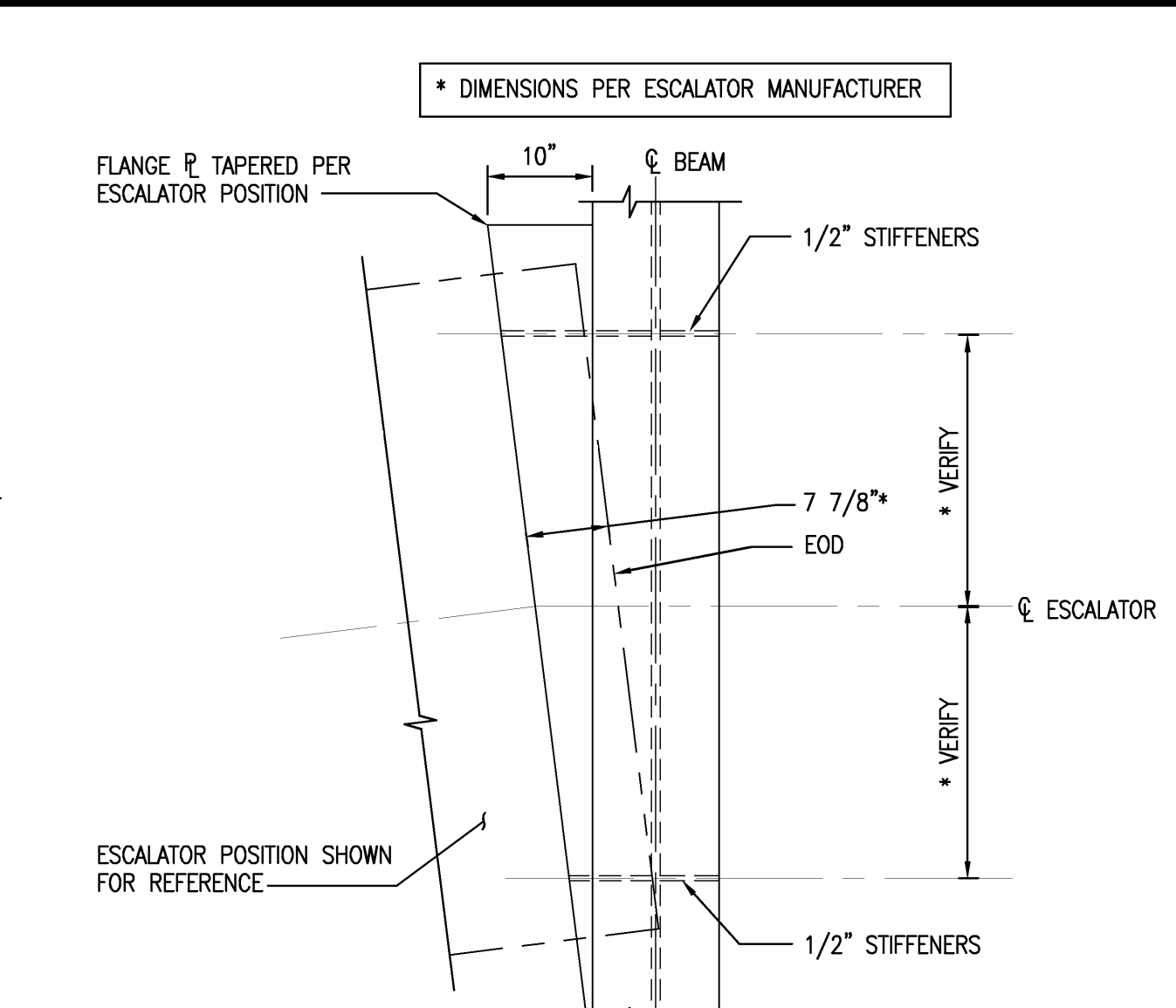
SECTION 21
SCALE: 3/4" = 1'-0"
S08.01



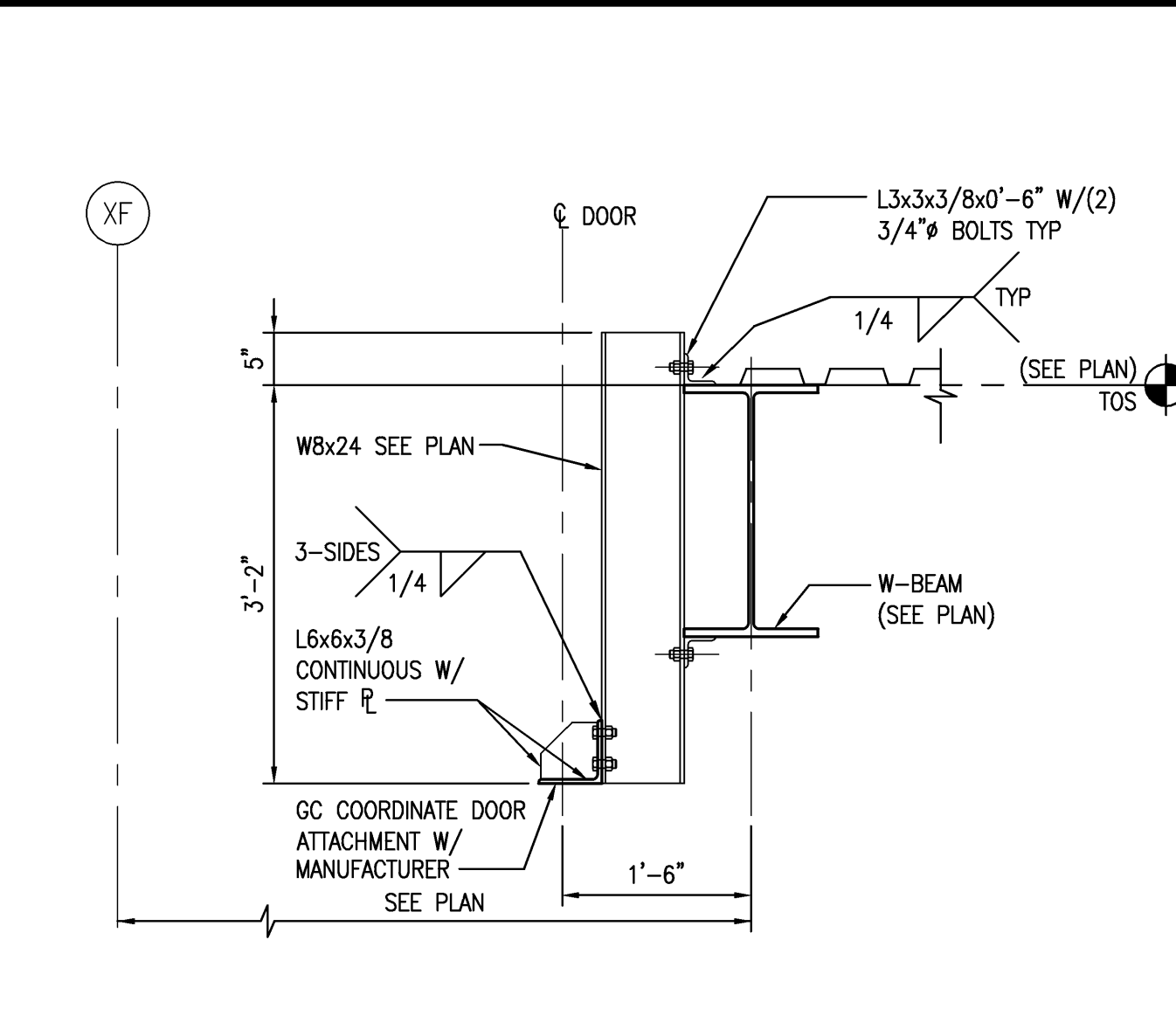
SECTION 16
SCALE: 3/4" = 1'-0"
S08.01



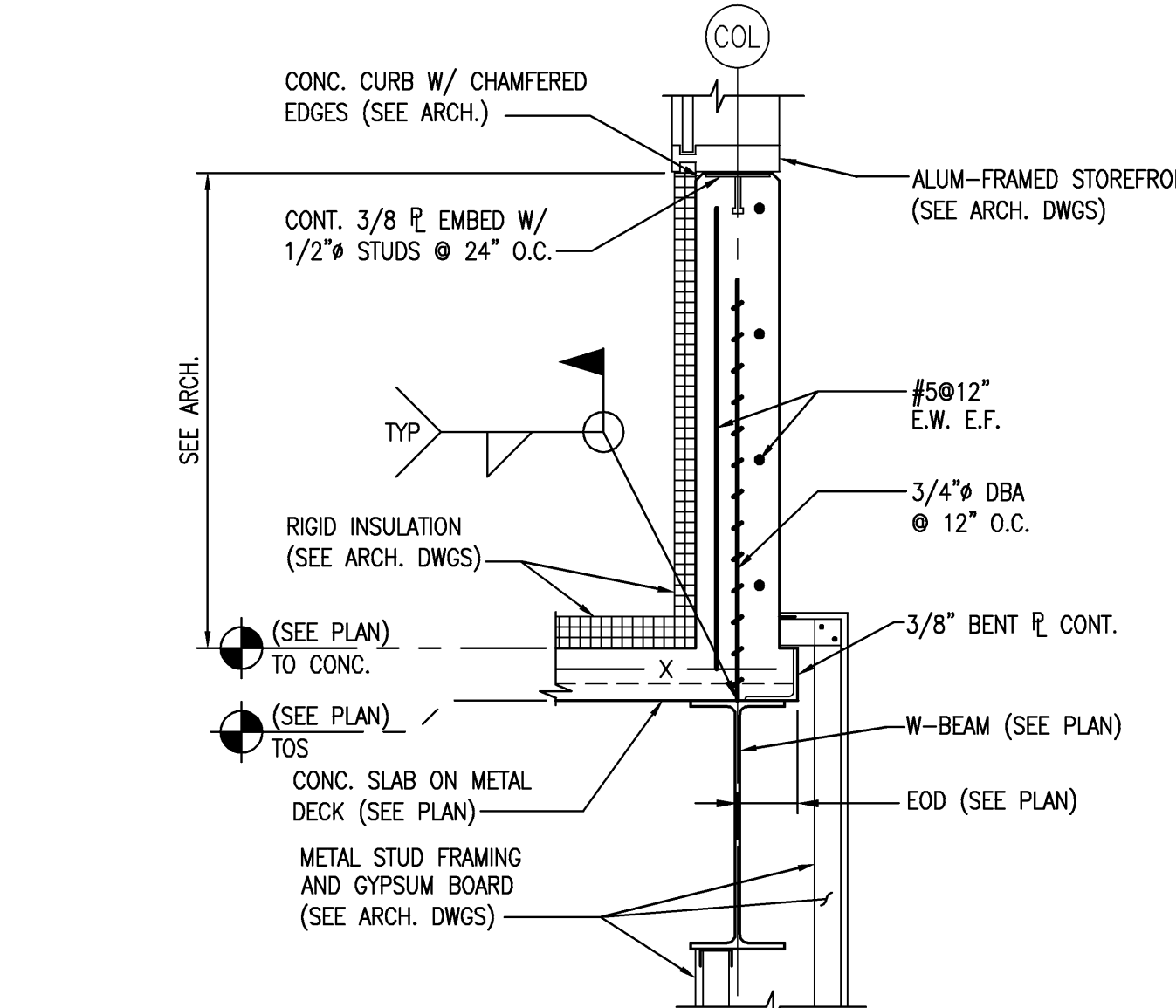
SECTION 11
SCALE: 3/4" = 1'-0"
S02.04.04, S02.04.05, S02.04.06



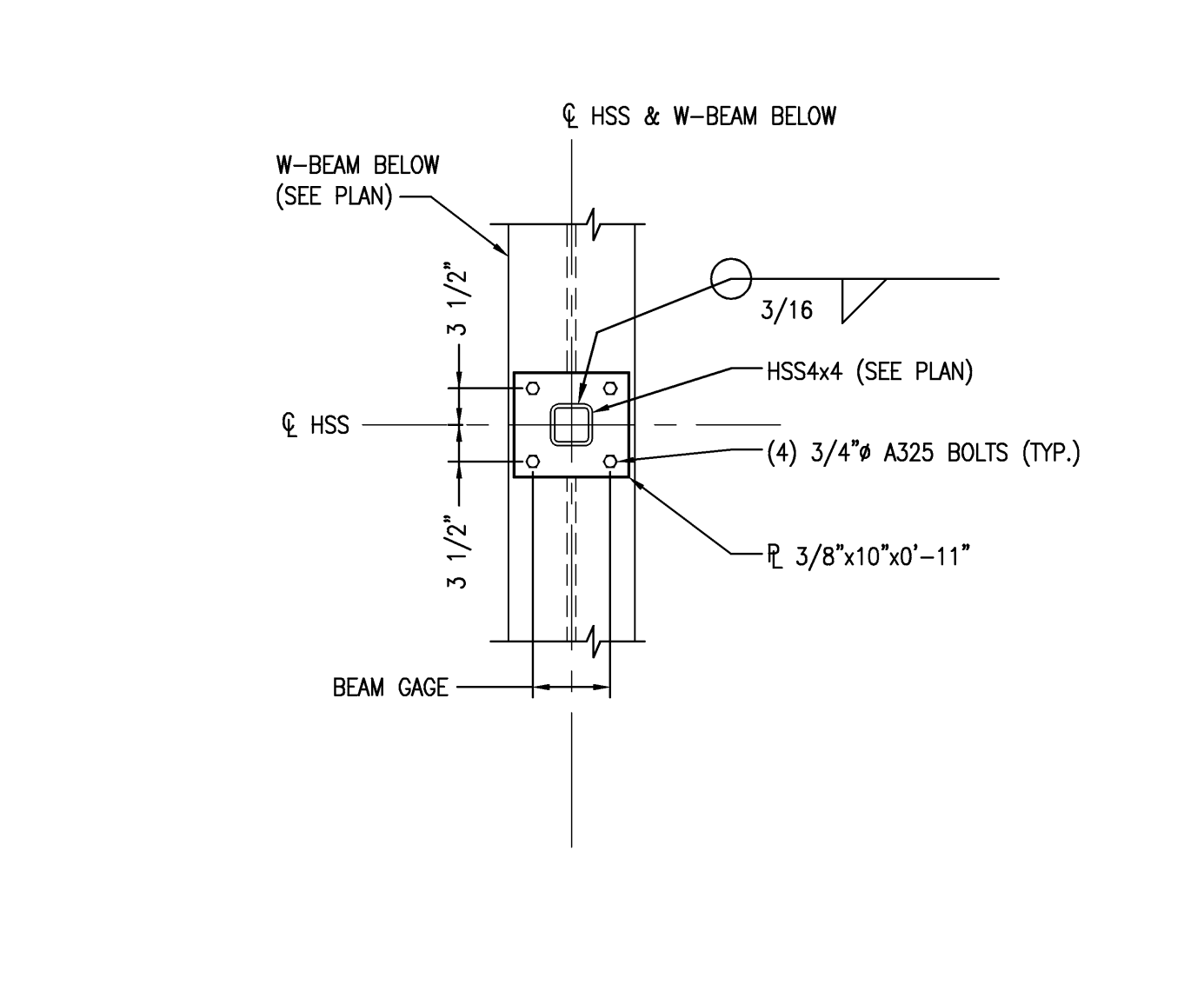
SECTION 6
SCALE: 3/4" = 1'-0"
S12.32



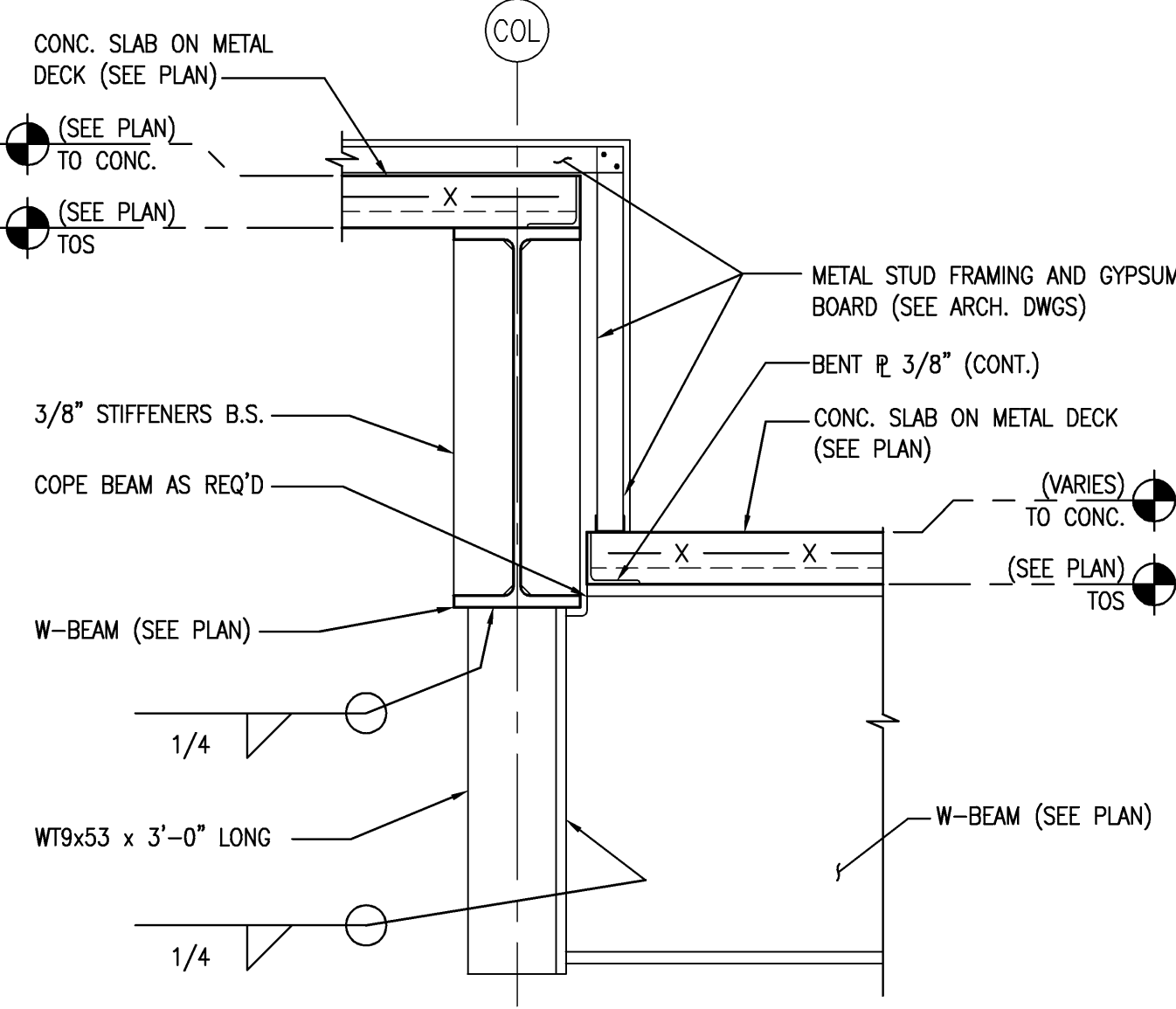
SECTION 1
SCALE: 3/4" = 1'-0"
S02.05.05



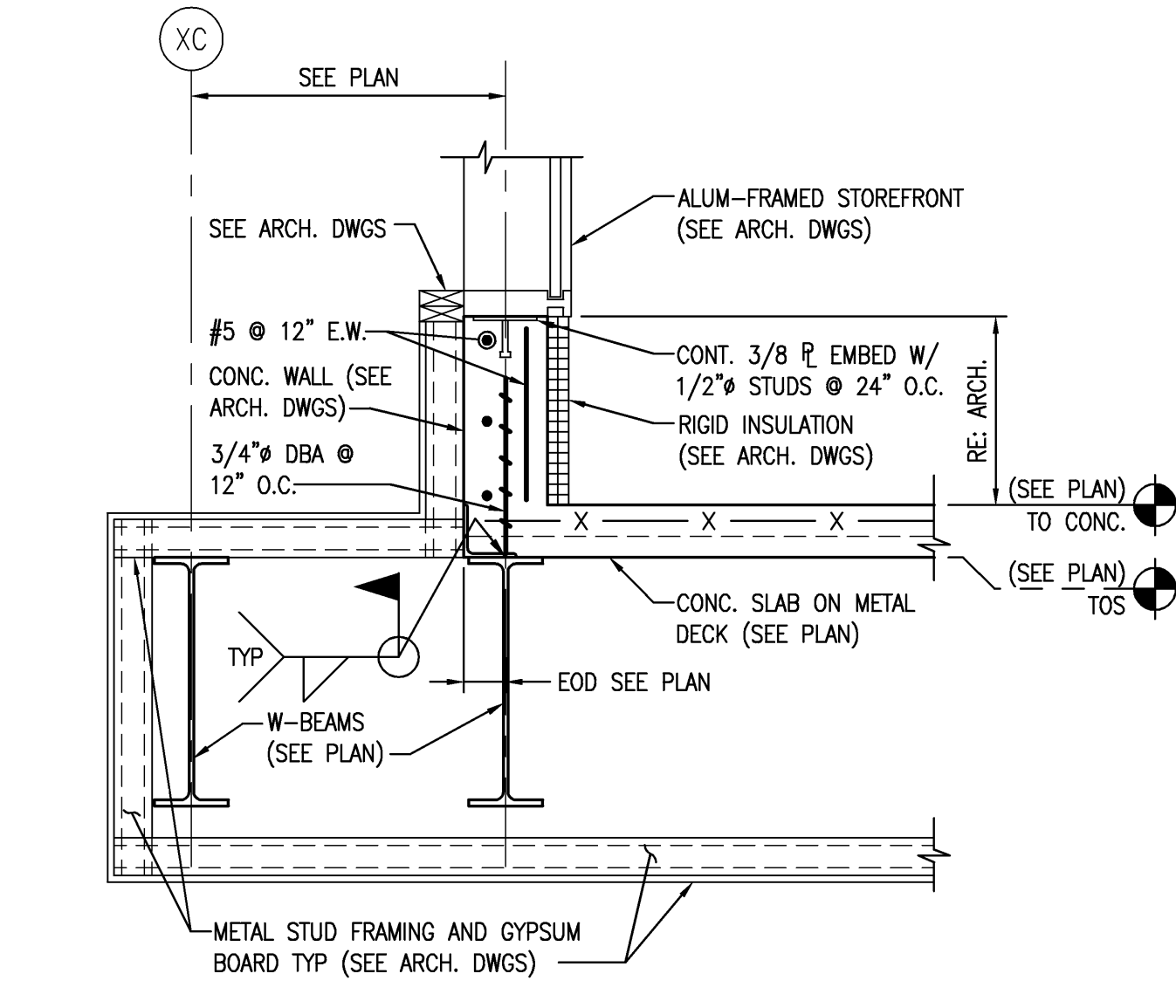
SECTION 22
SCALE: 3/4" = 1'-0"
S02.04.05



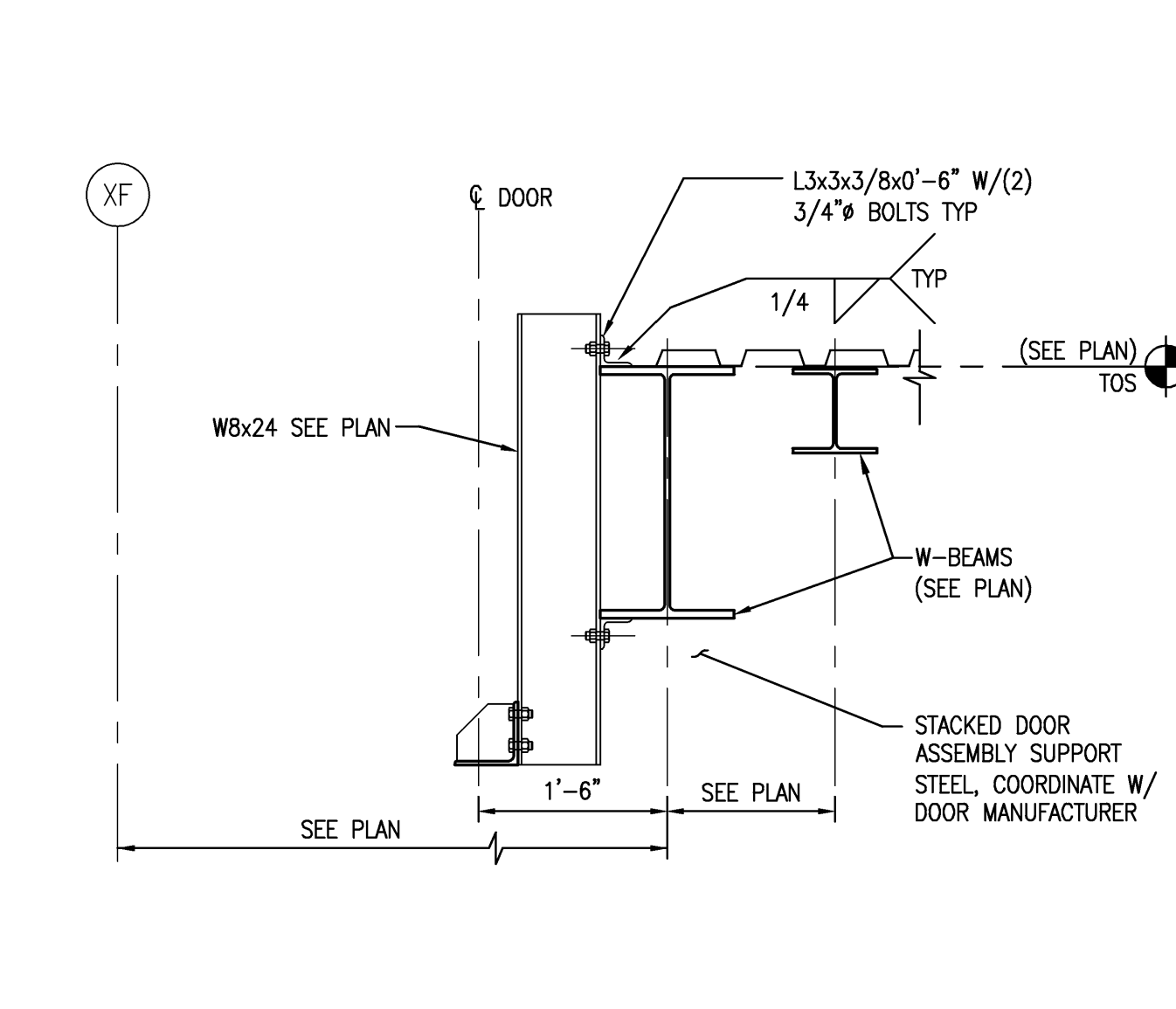
DETAIL 17
SCALE: 3/4" = 1'-0"
S08.01



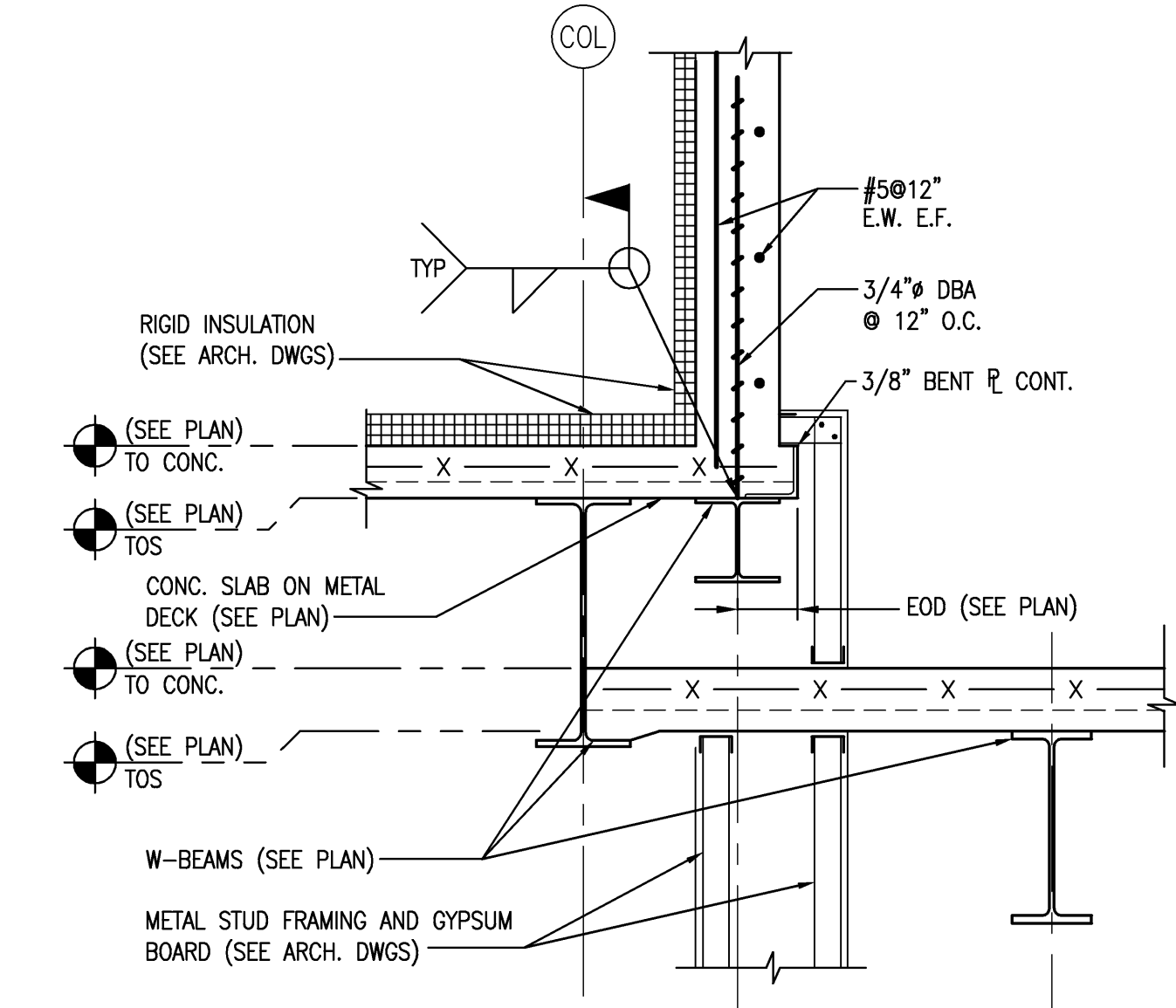
SECTION 12
SCALE: 3/4" = 1'-0"
S02.04.04



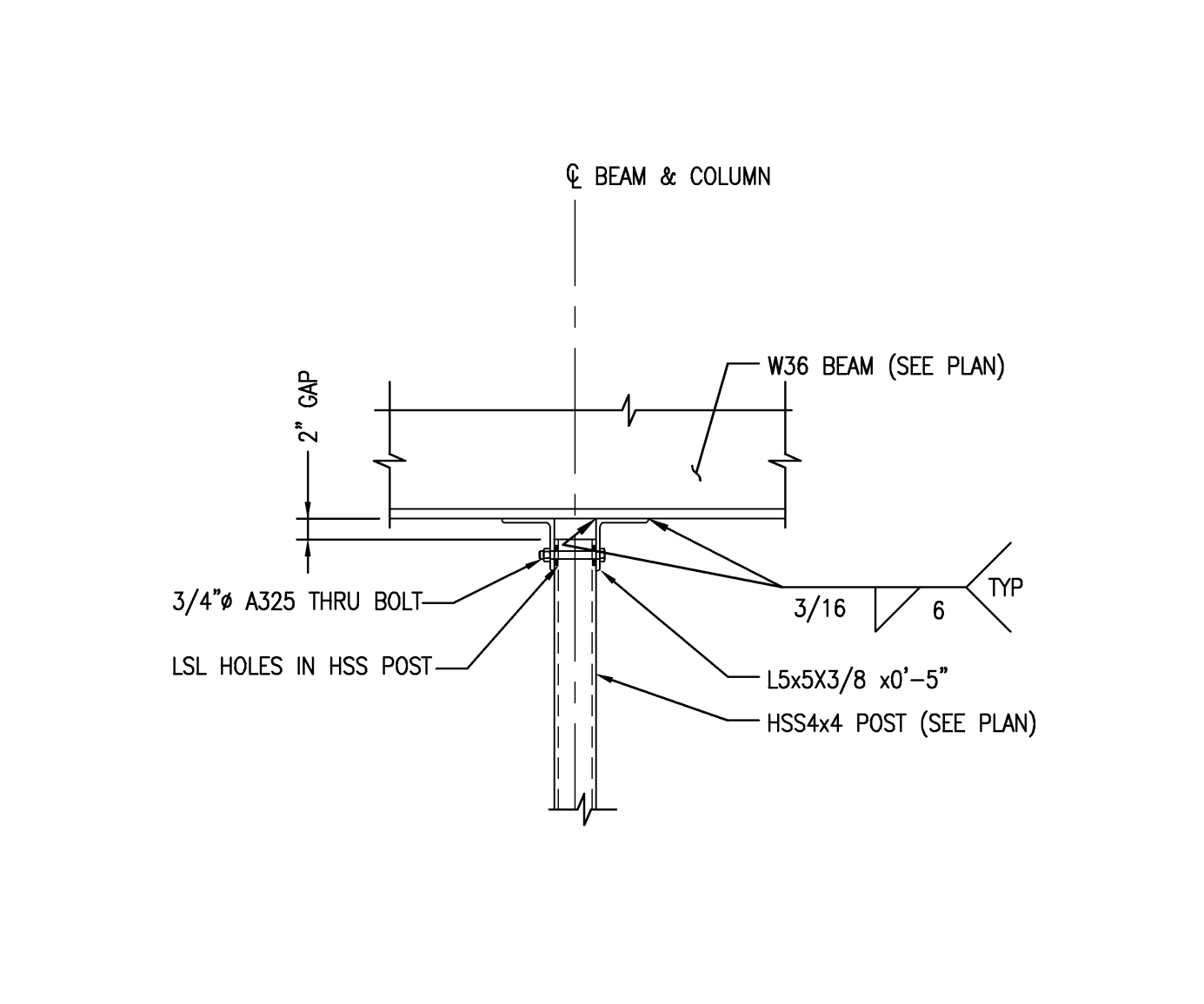
SECTION 7
SCALE: 3/4" = 1'-0"
S02.05.06



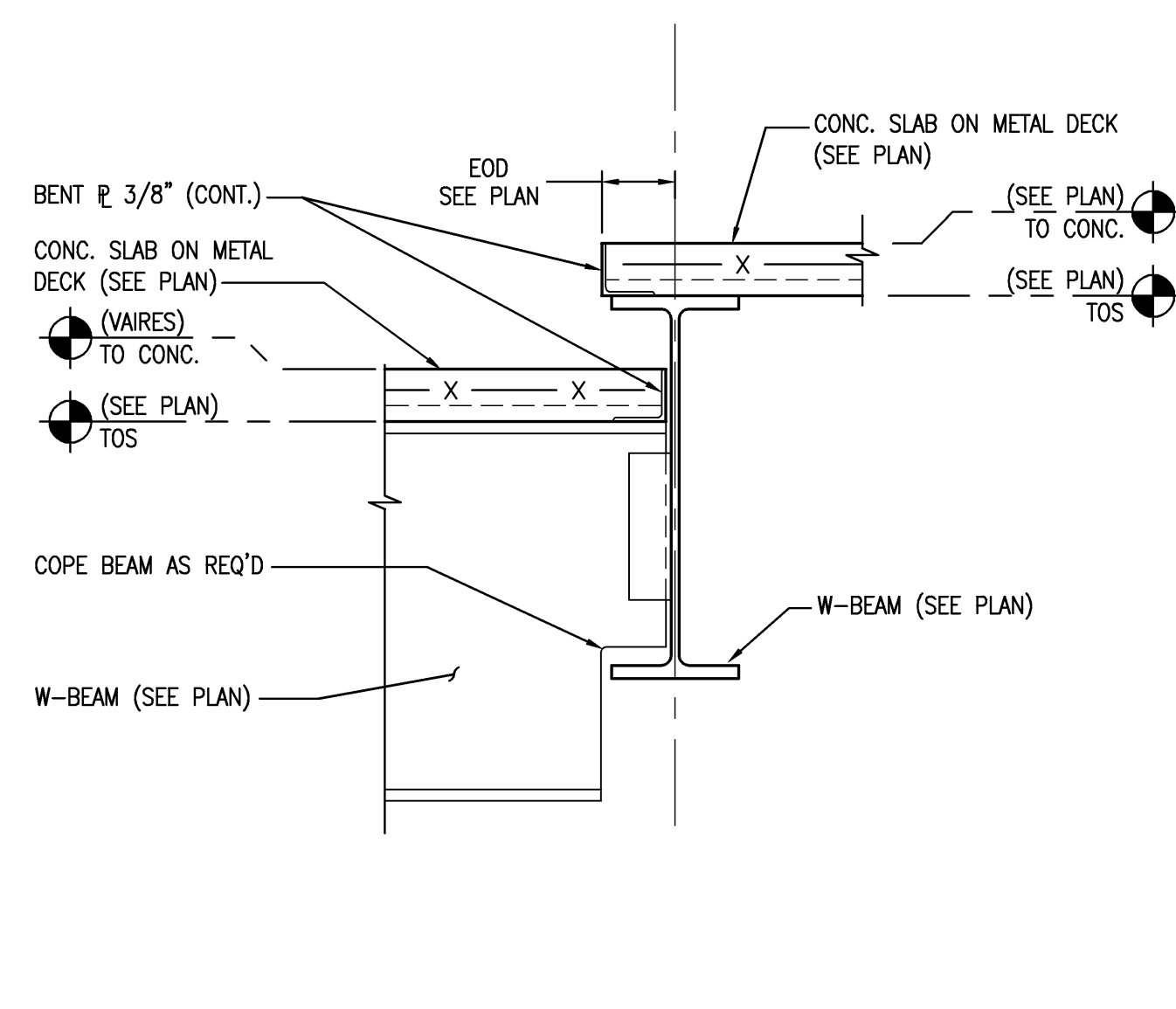
SECTION 2
SCALE: 3/4" = 1'-0"
S02.05.05



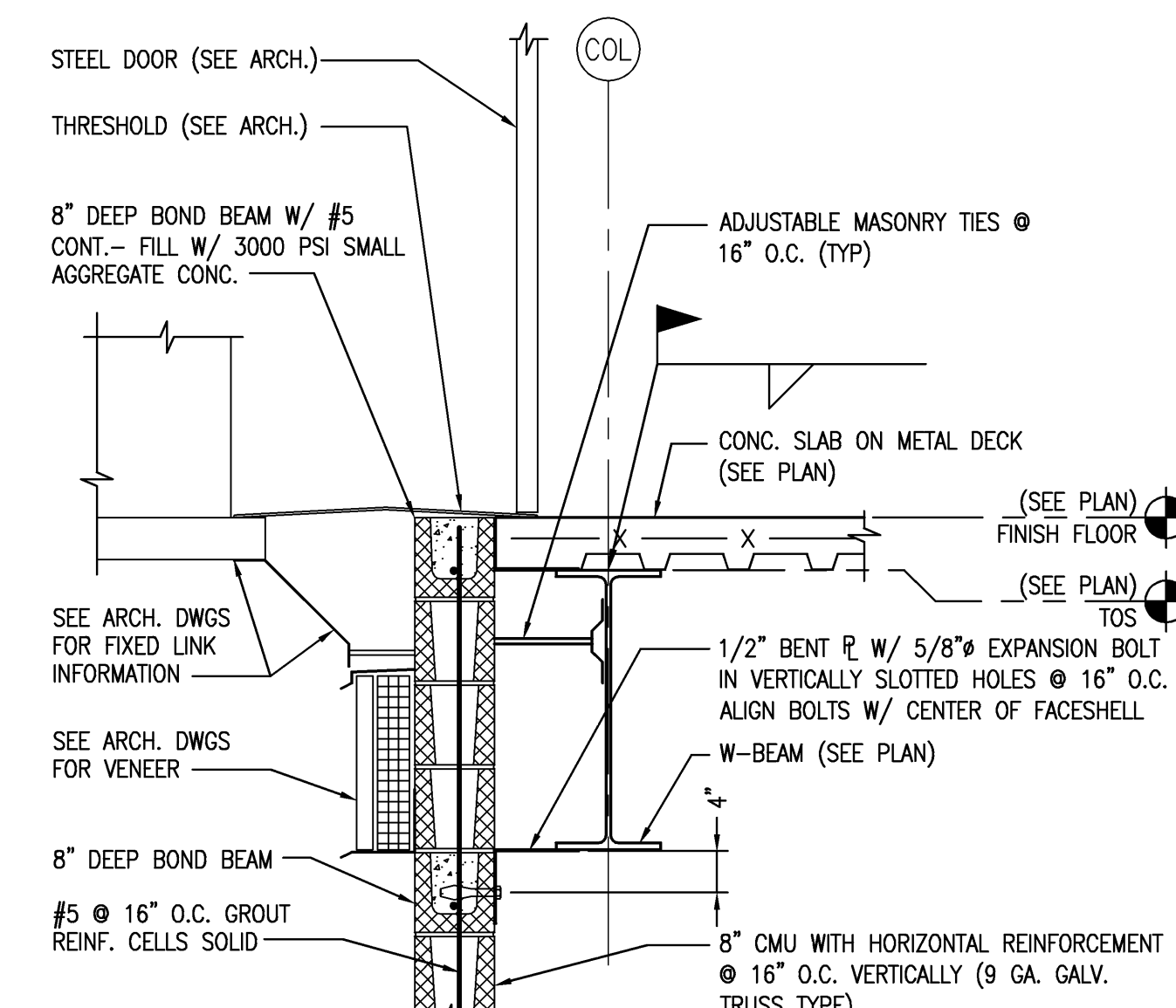
SECTION 23
SCALE: 3/4" = 1'-0"
S02.04.05



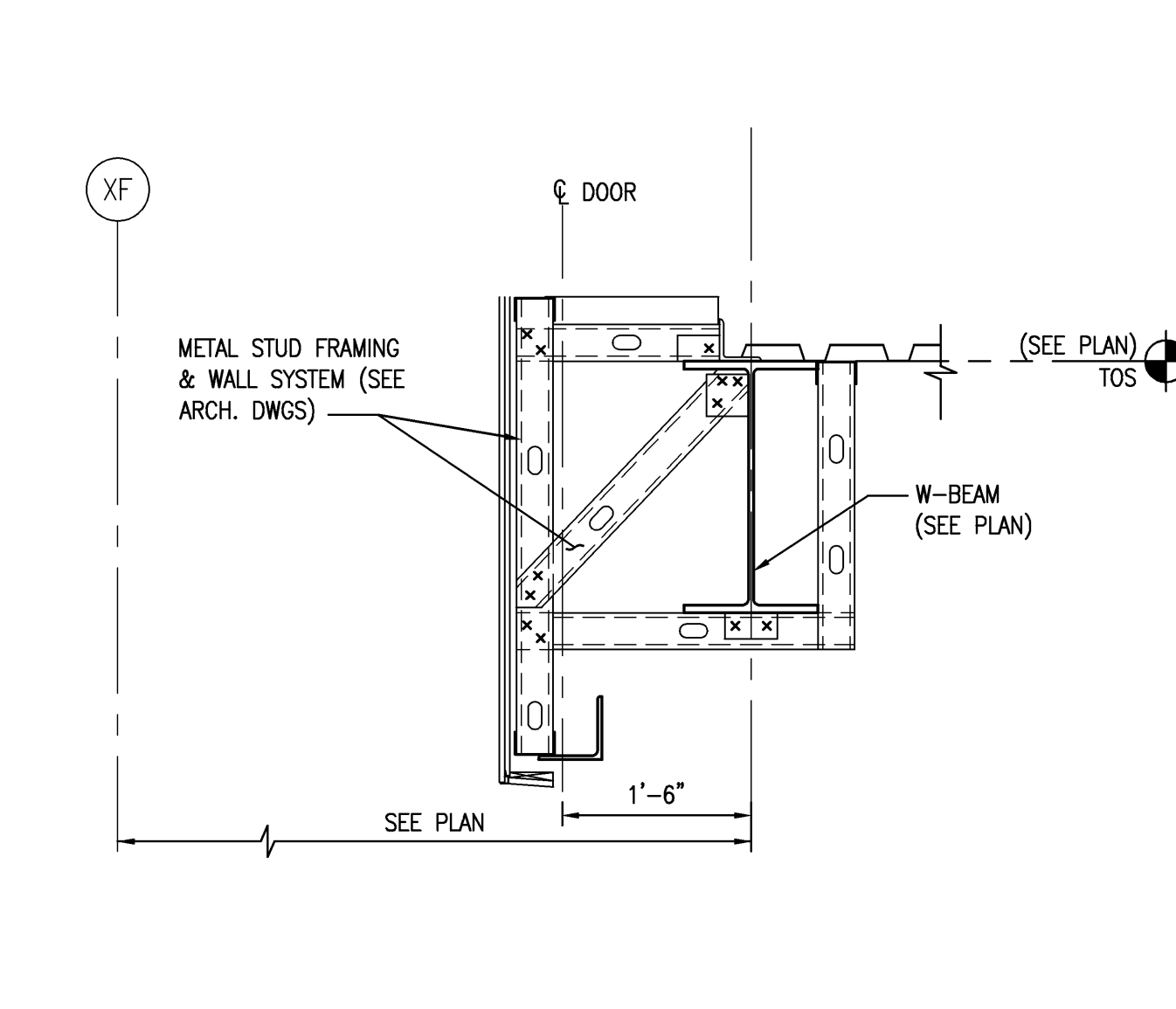
SECTION 18
SCALE: 3/4" = 1'-0"
S08.01



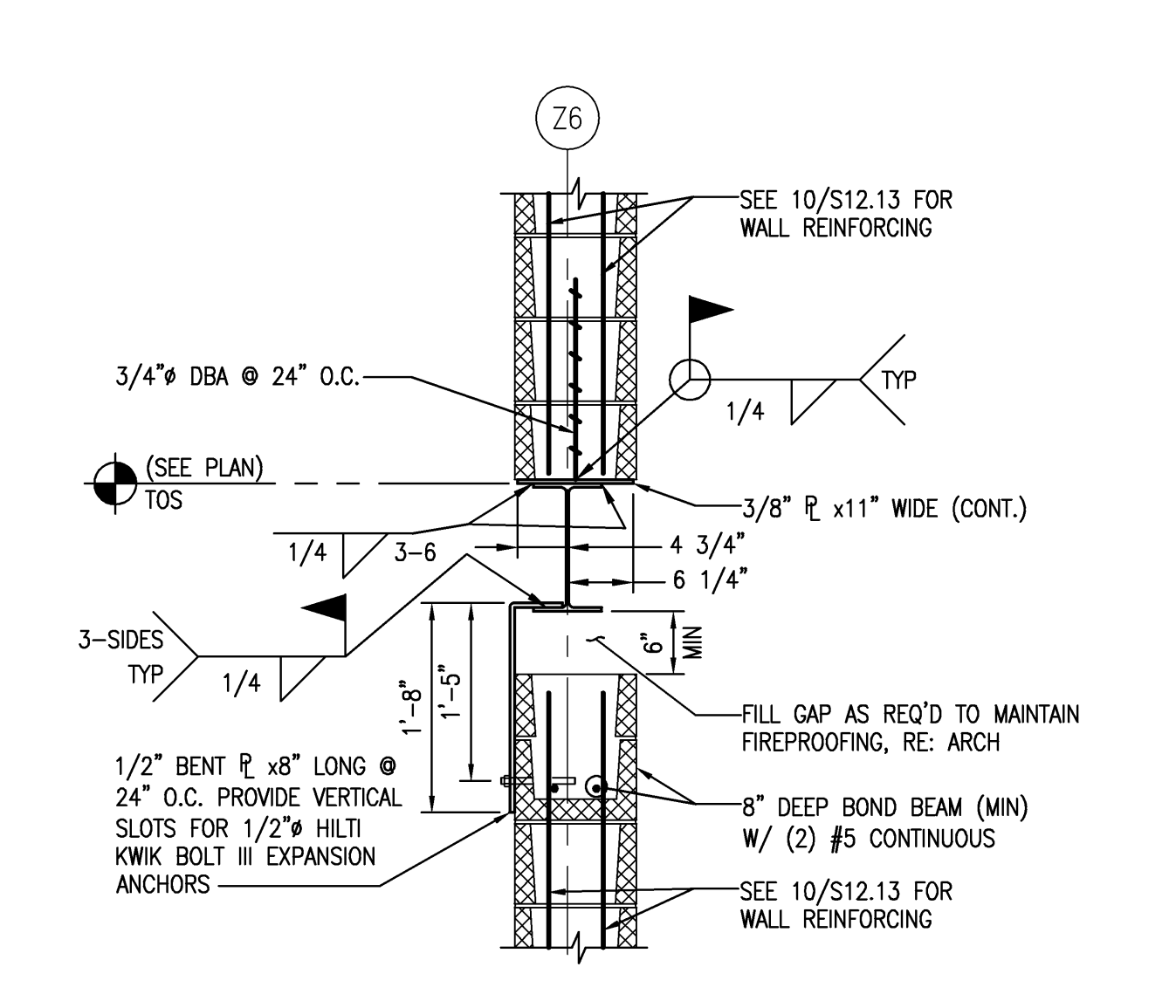
SECTION 13
SCALE: 3/4" = 1'-0"
S02.04.05



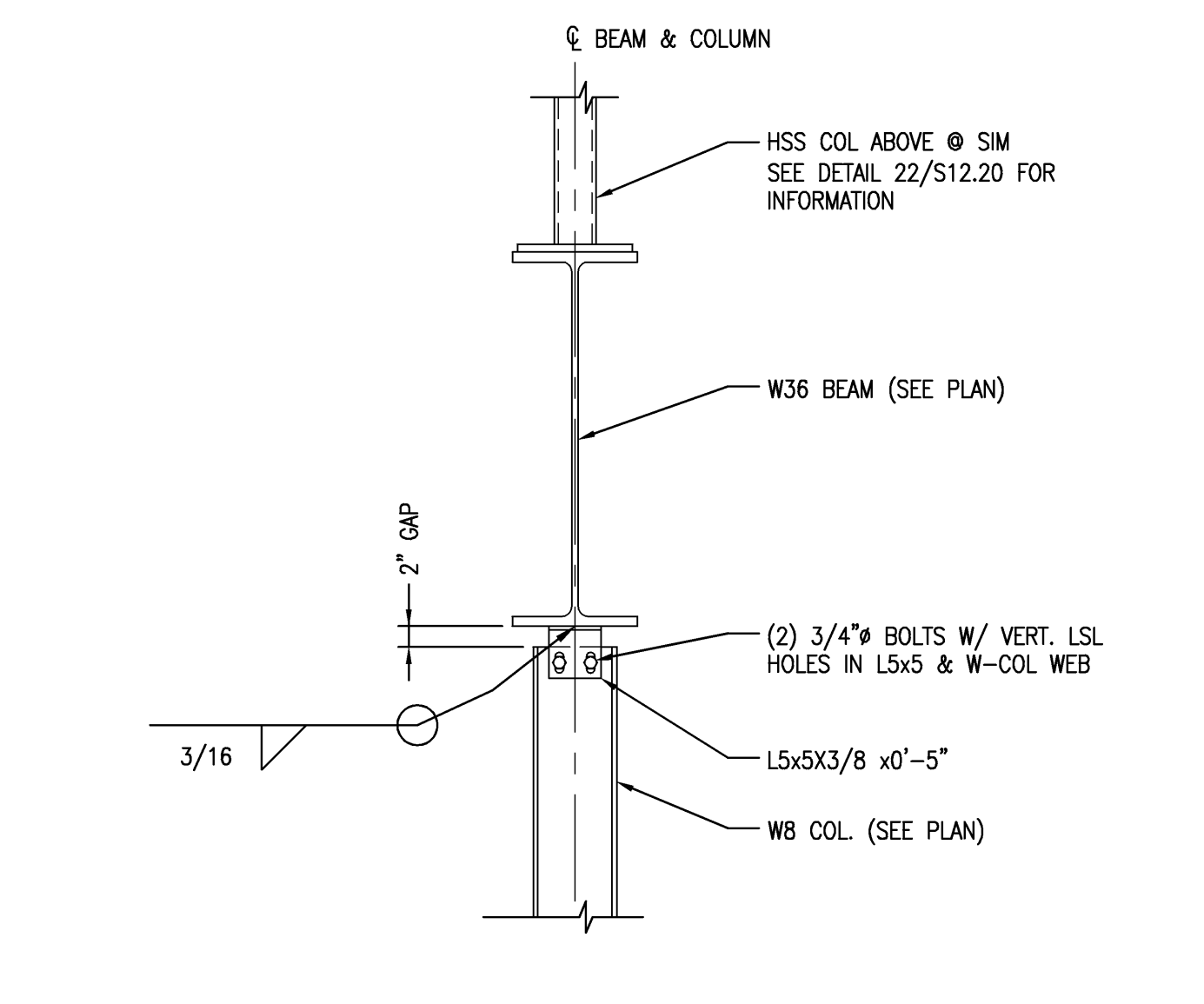
SECTION 8
SCALE: 3/4" = 1'-0"
S02.03.04, S02.03.05



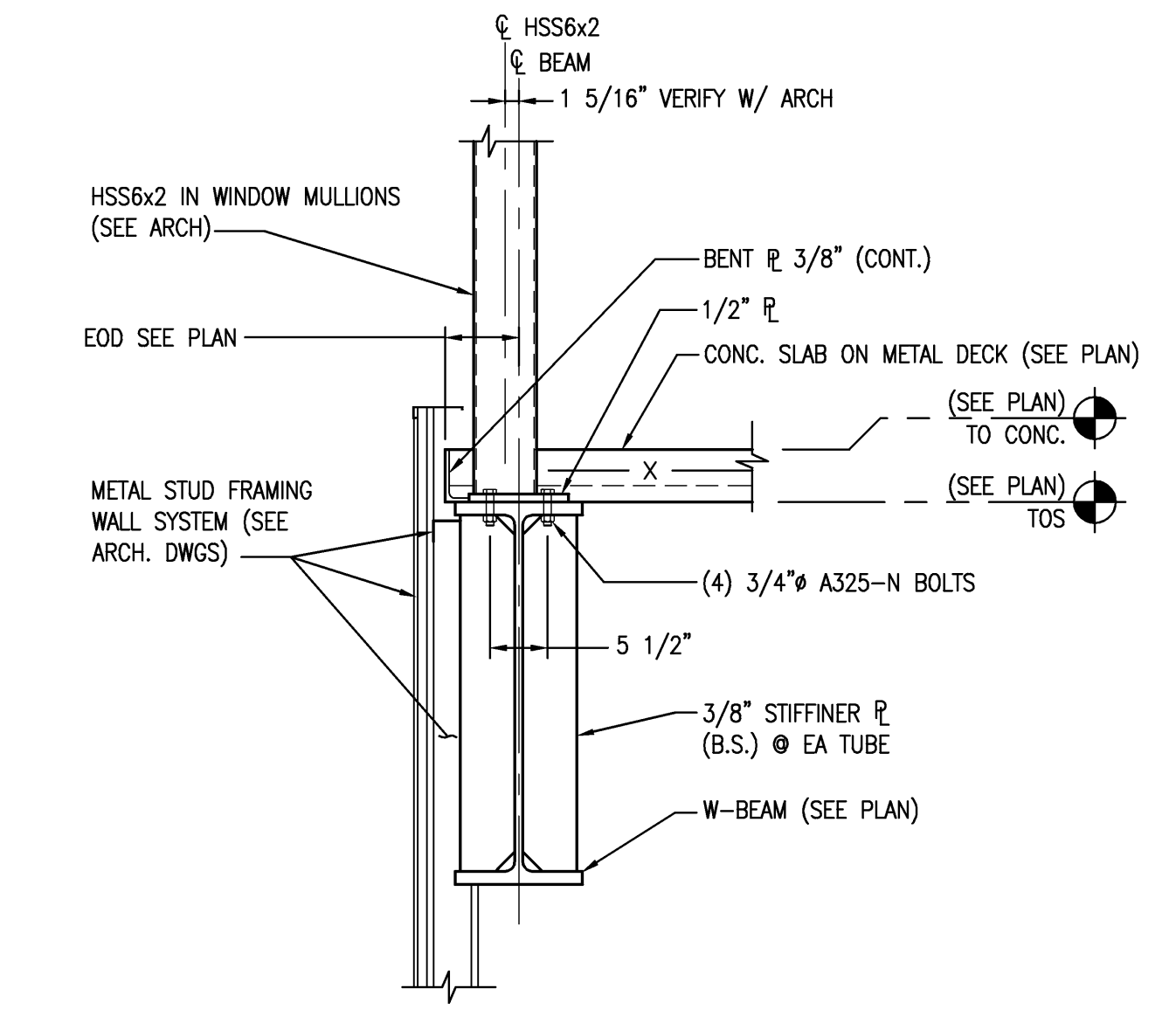
SECTION 3
SCALE: 3/4" = 1'-0"
S02.05.05



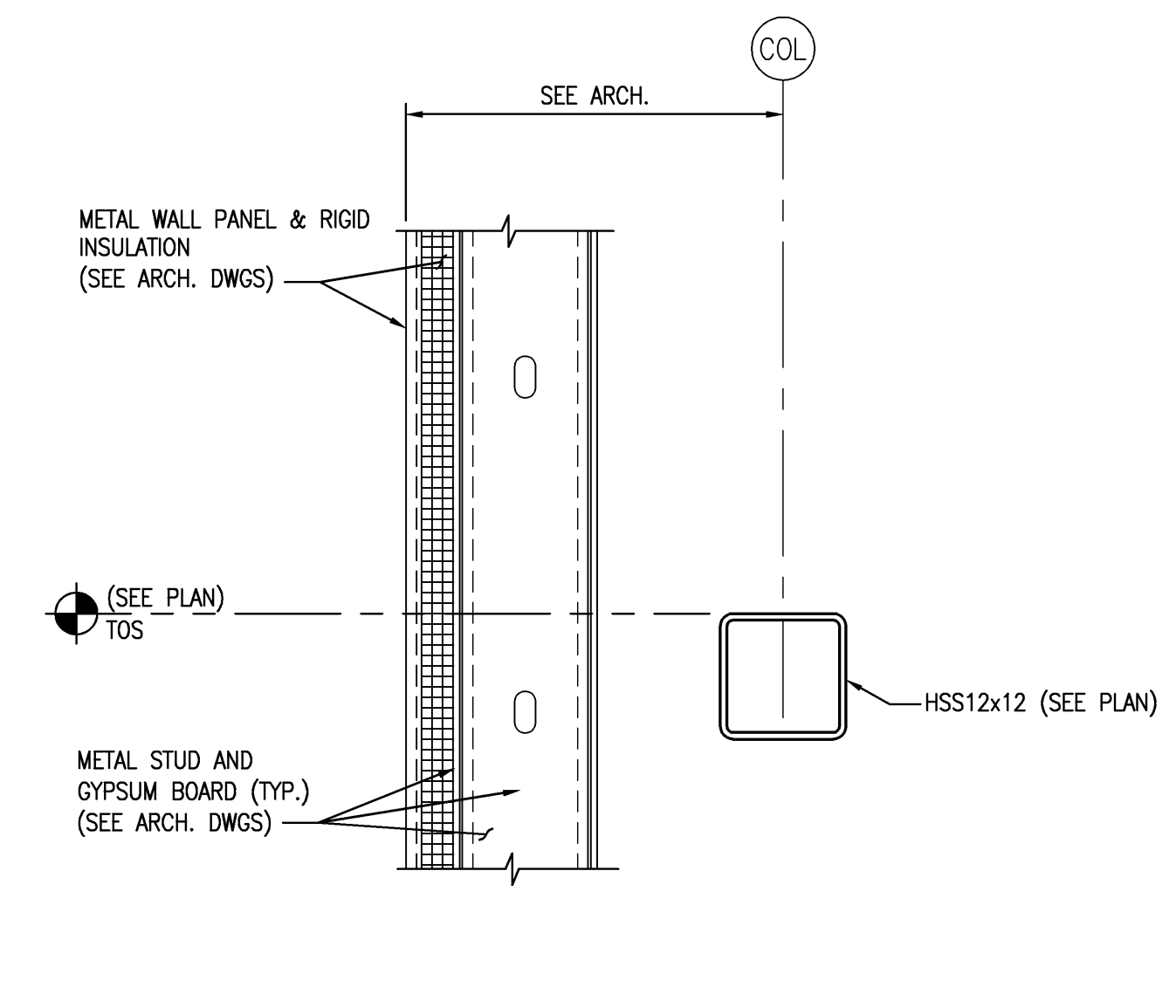
SECTION 24
SCALE: 3/4" = 1'-0"
S08.01



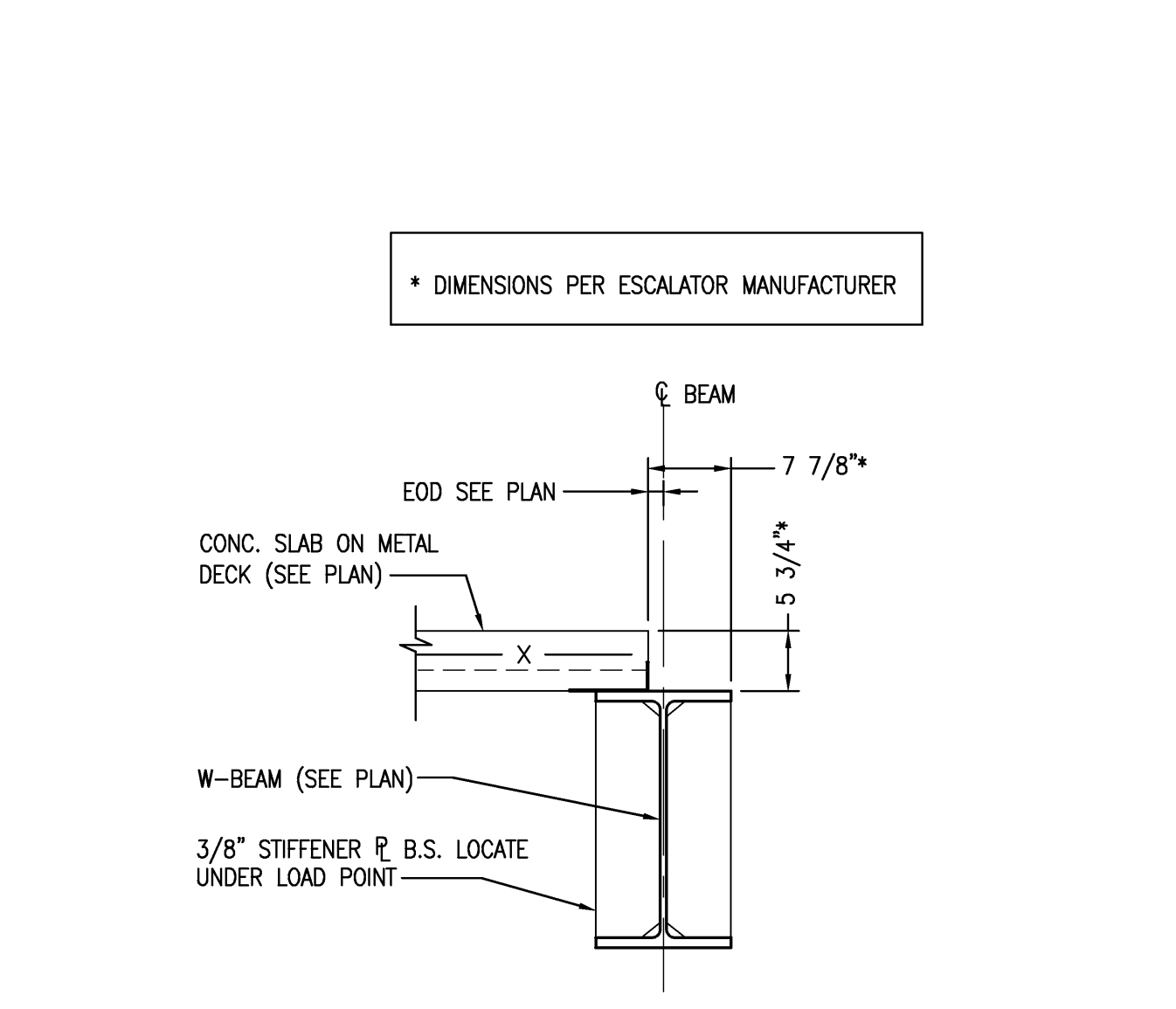
SECTION 19
SCALE: 3/4" = 1'-0"
S08.01



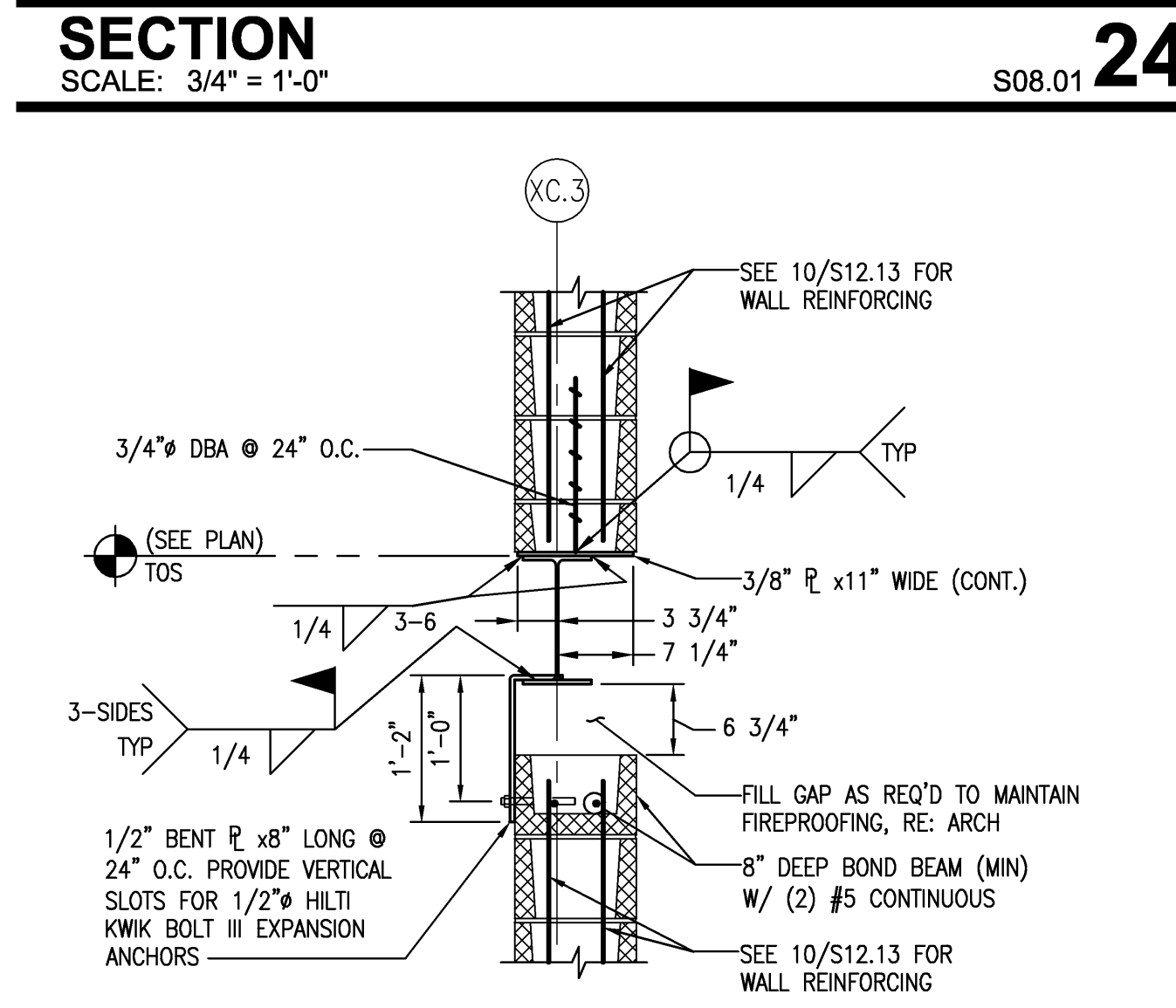
SECTION 14
SCALE: 3/4" = 1'-0"
S02.04.05



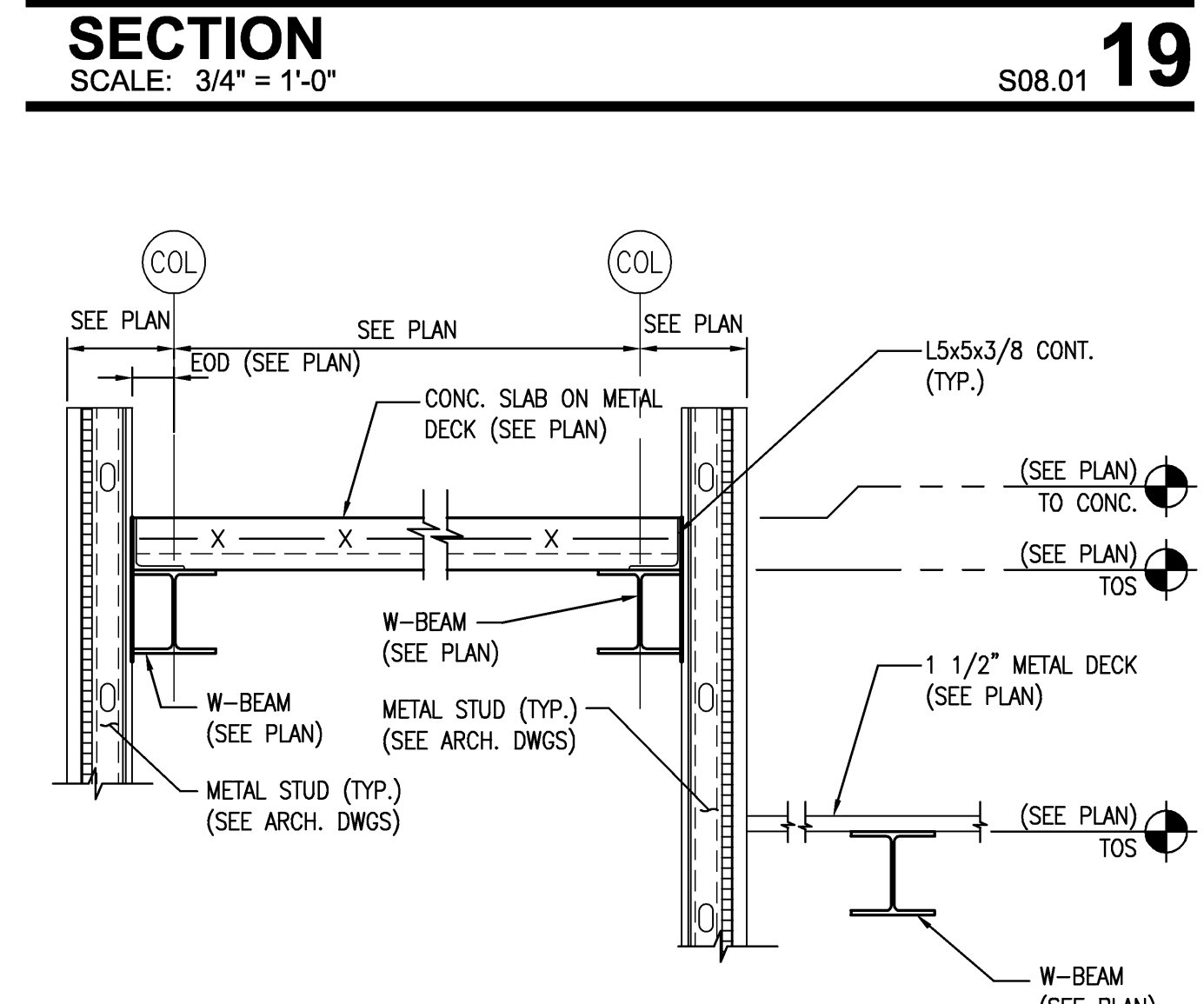
SECTION 9
SCALE: 3/4" = 1'-0"
S02.04.05



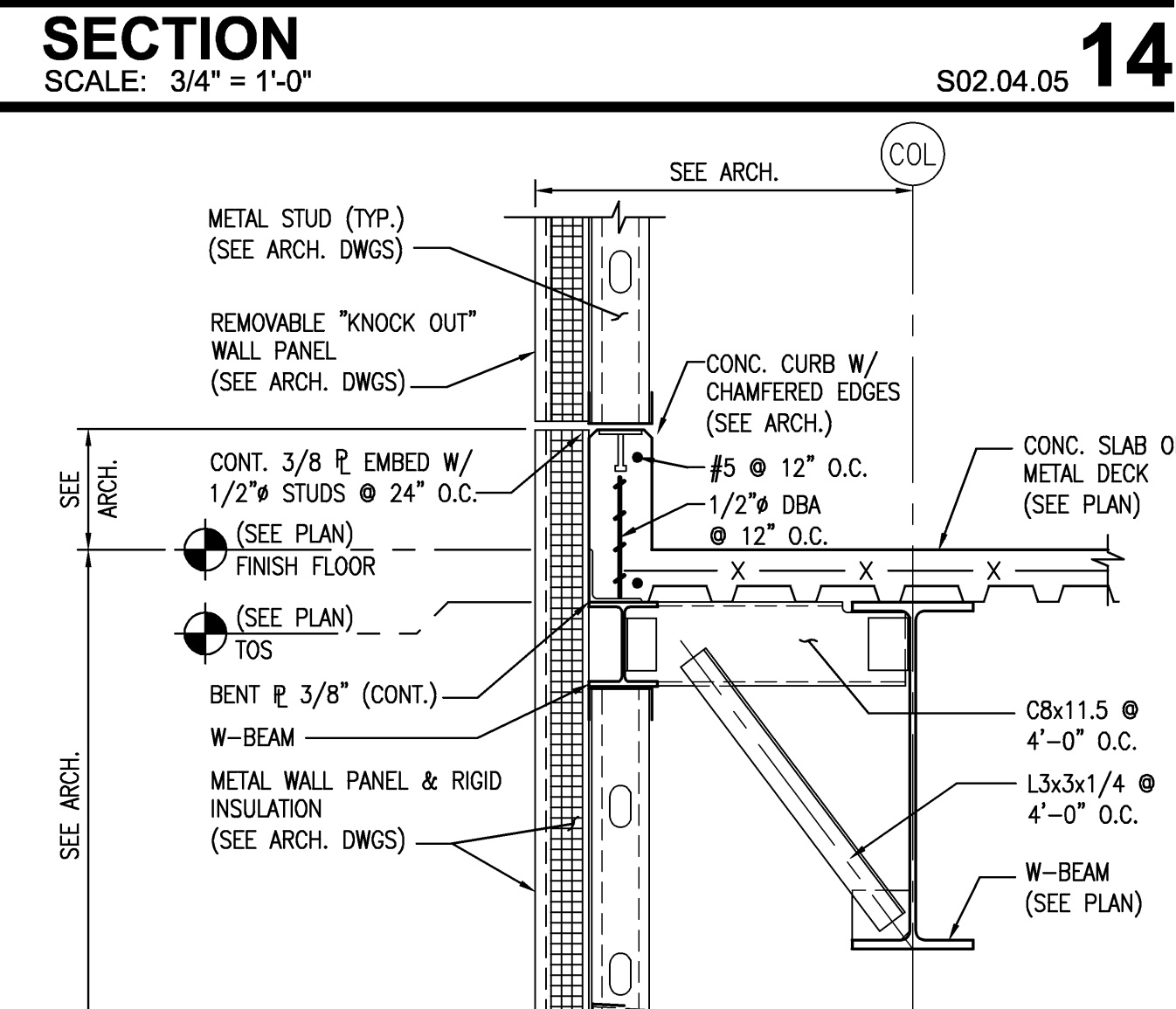
SECTION 4
SCALE: 3/4" = 1'-0"
S02.04.05



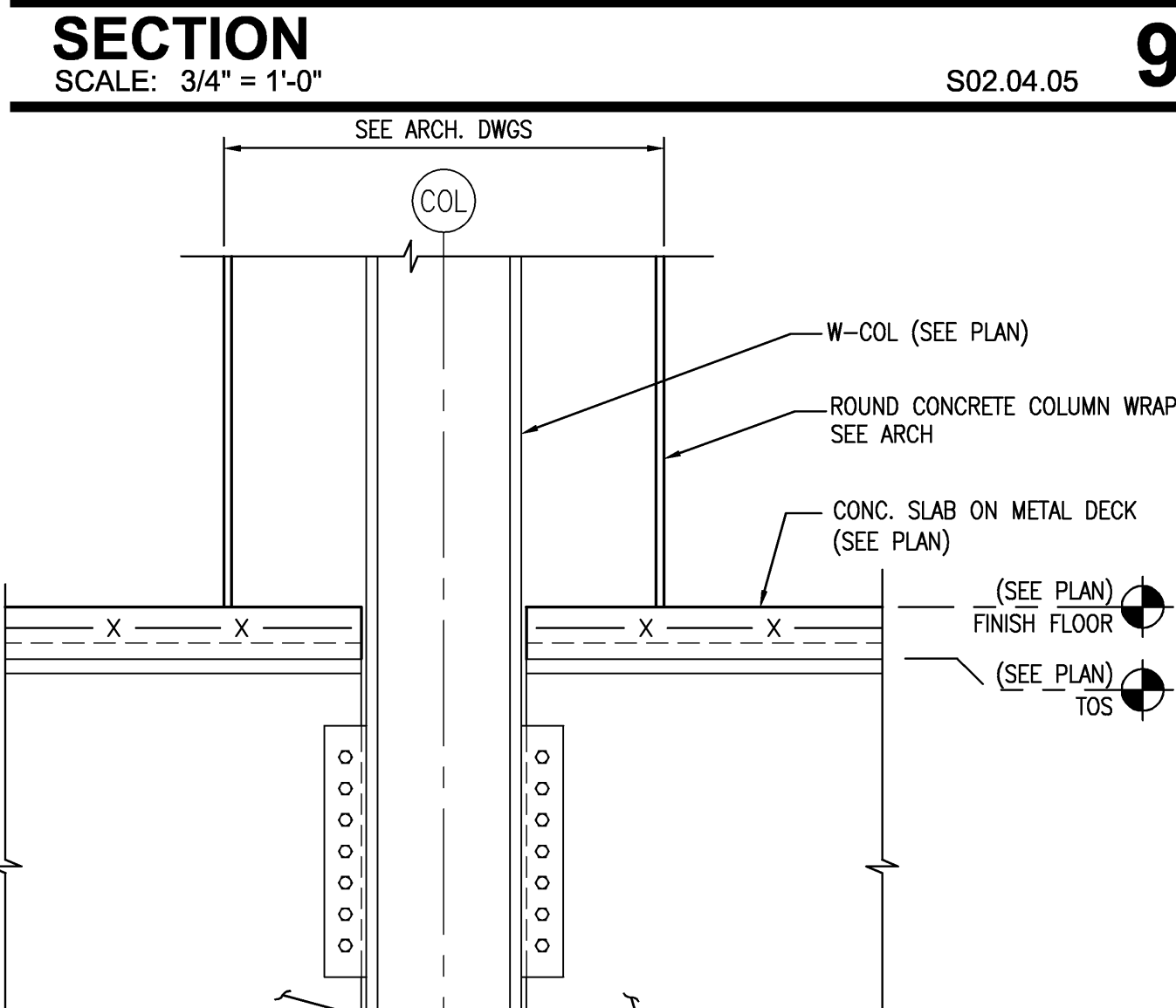
SECTION 25
SCALE: 3/4" = 1'-0"
S08.01



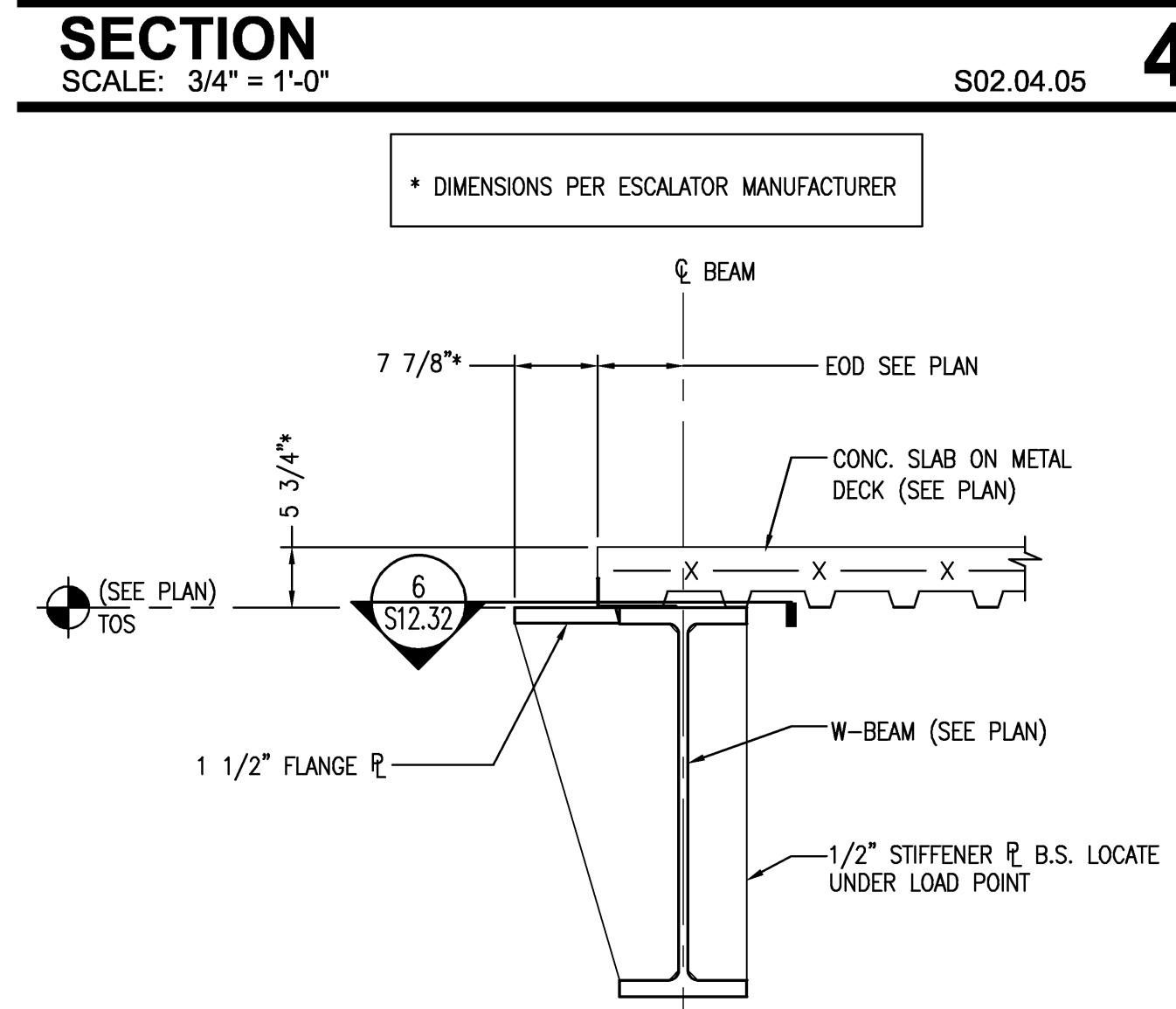
SECTION 20
SCALE: 3/4" = 1'-0"
S02.04.04, S02.04.05



SECTION 15
SCALE: 3/4" = 1'-0"
S02.04.06



SECTION 10
SCALE: 3/4" = 1'-0"
S02.04.05



SECTION 5
SCALE: 3/4" = 1'-0"
S02.04.04

Portland International
Jetport
1001 Westbrook Street
Portland, Maine 04102

Gensler

oest ASSOCIATES, INC.
engineers • architects • surveyors • construction managers

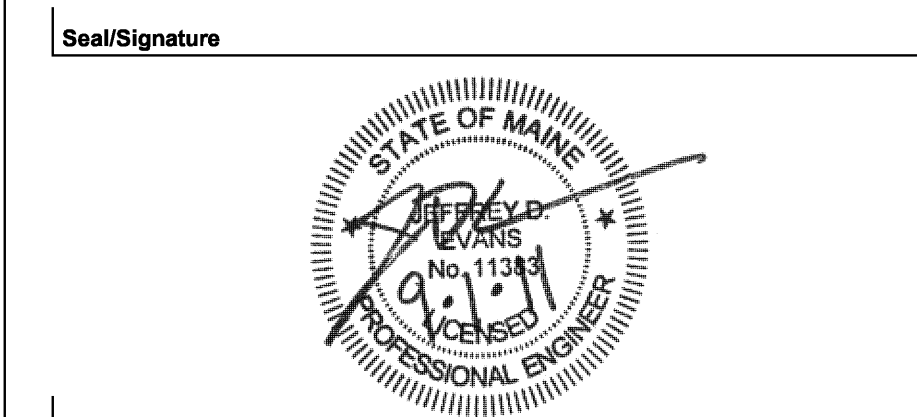
amec

343 Gorham Road, South Portland ME 04106
P: (207) 761-1770 F: (207) 774-1246 www.amec.com

2020 K Street, NW
Suite 200
Washington, DC 20006
Telephone 202.721.5200
Facsimile 202.872.8587

THESE DRAWINGS ARE ISSUED FOR CONSTRUCTION AND REFLECT ALL AEC ISSUED BULLETINS AND SKETCHES.

Issue	Date	Issue Description	By	Check	
--	01	01/23/09	95% CONSTRUCTION DOCUMENTS	JDE	--
--	02	10/26/09	ISSUED FOR PERMIT	JDE	--
Δ	03	01/12/10	BULLETIN #1	JDE	--
Δ	04	05/03/10	BULLETIN #10	JDE	--
Δ	05	09/01/11	BULLETIN #10	JDE	--
			ISSUED FOR CONSTRUCTION		



Project Name
PJM Terminal Enhancement

Project Number
08.6395.000

CAD File Name
T:\5330101\SHEETS\S12.32.DWG

Description
FRAMING SECTIONS & DETAILS - LEVEL 4

Scale
AS NOTED

S12.32

©2009 Gensler