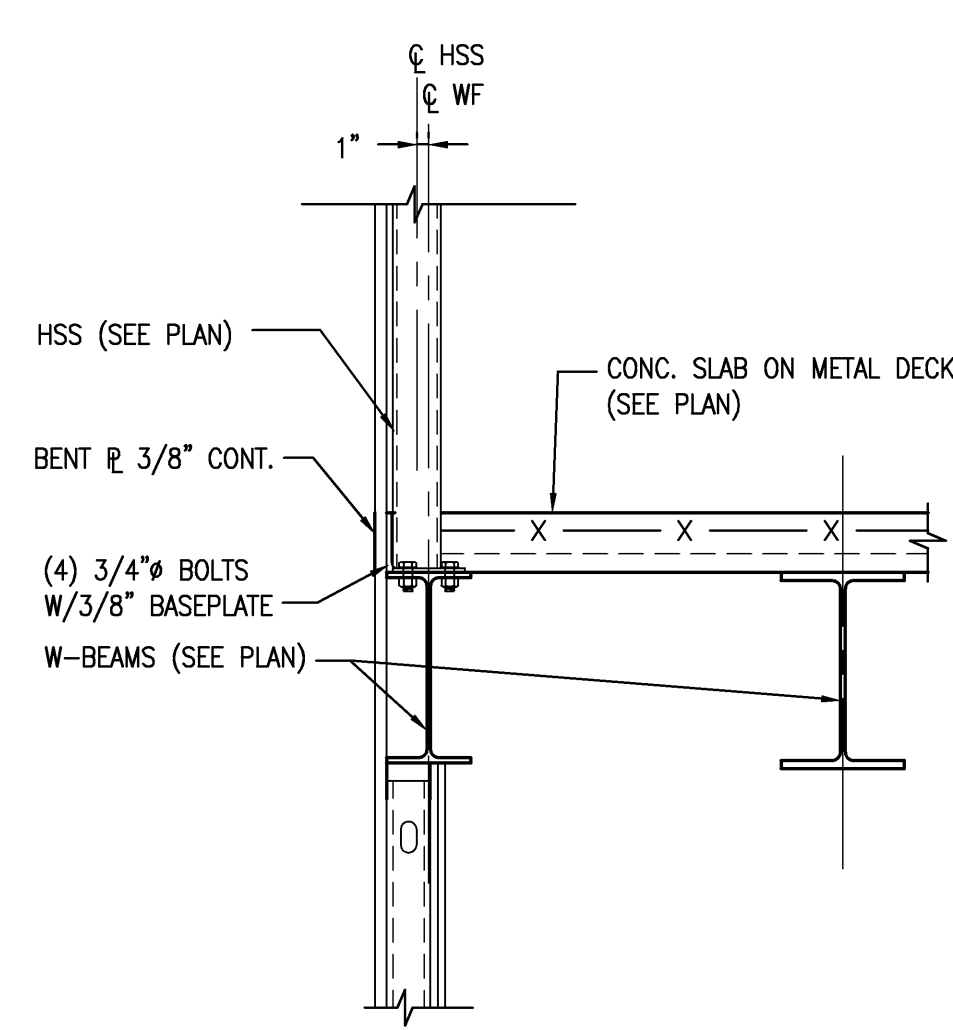
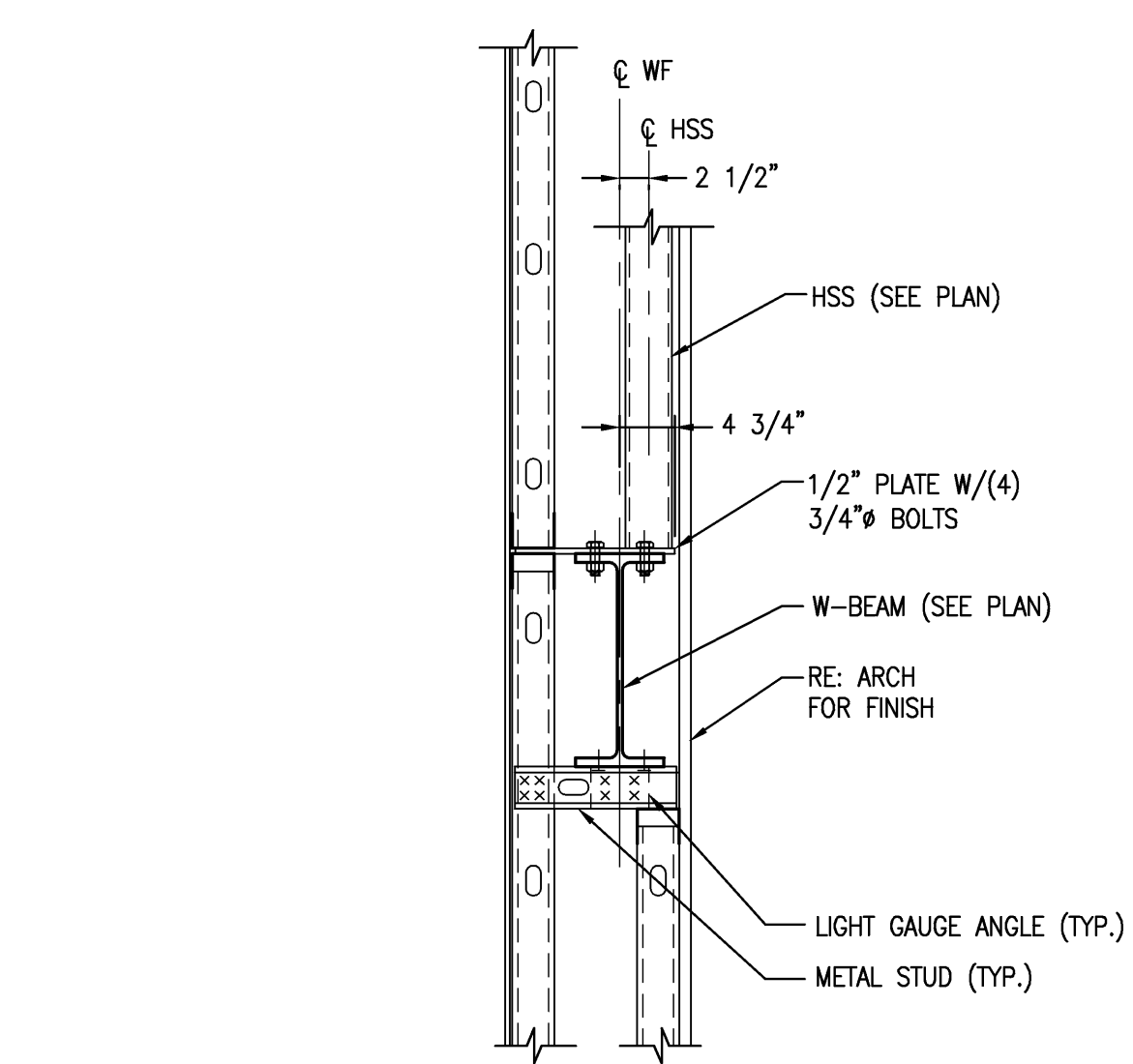
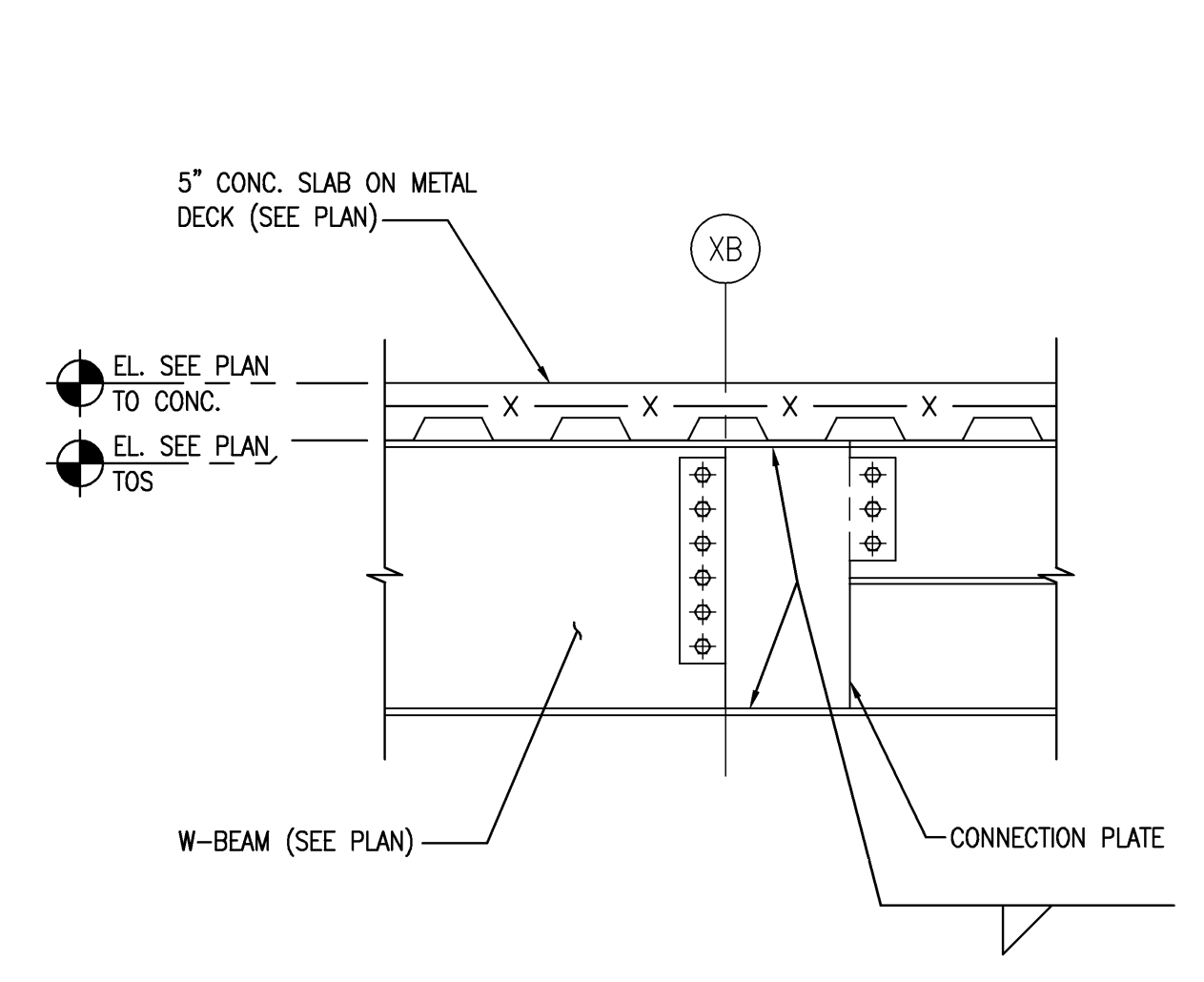


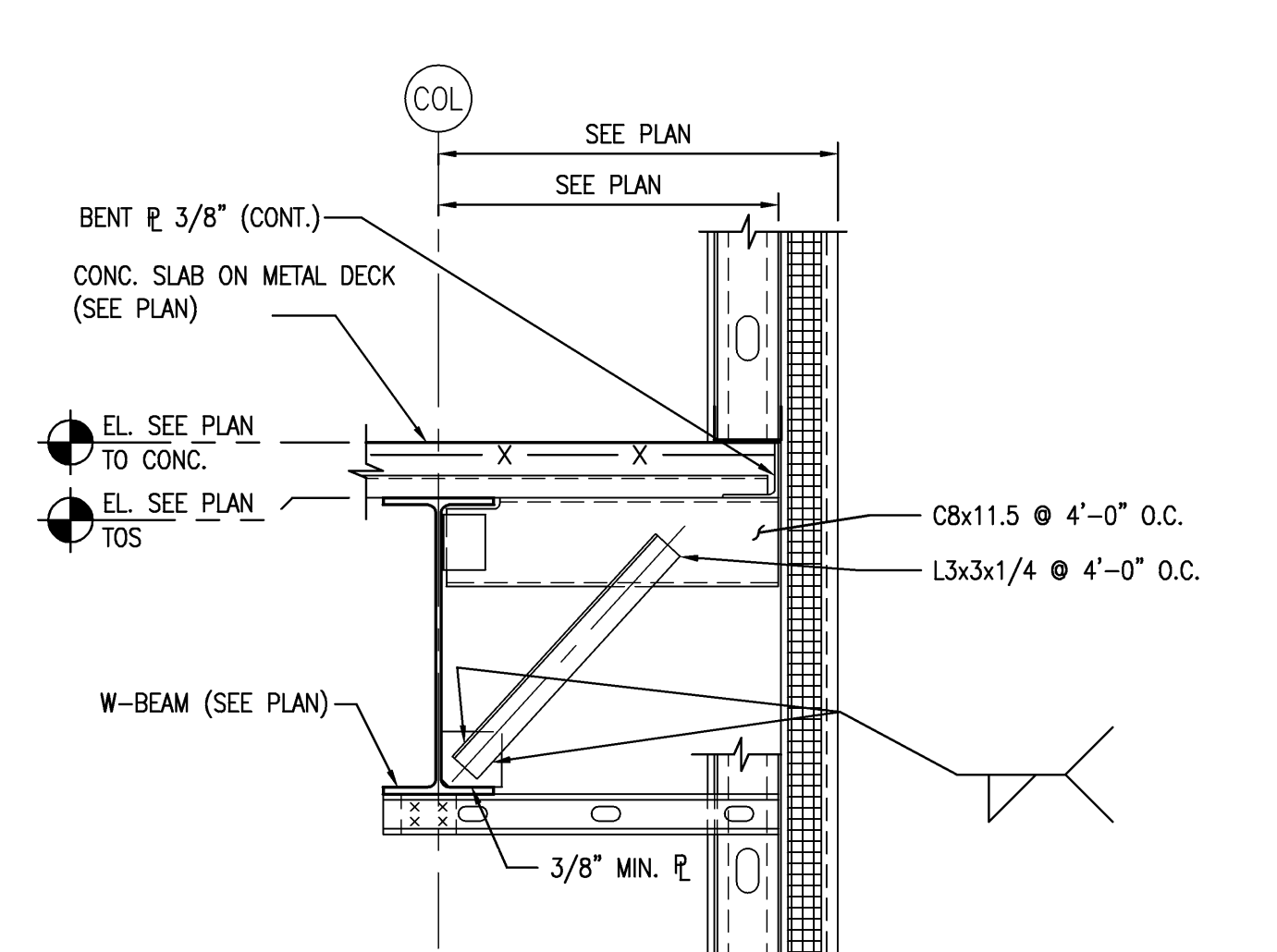
SECTION
SCALE: 3/4" = 1'-0"



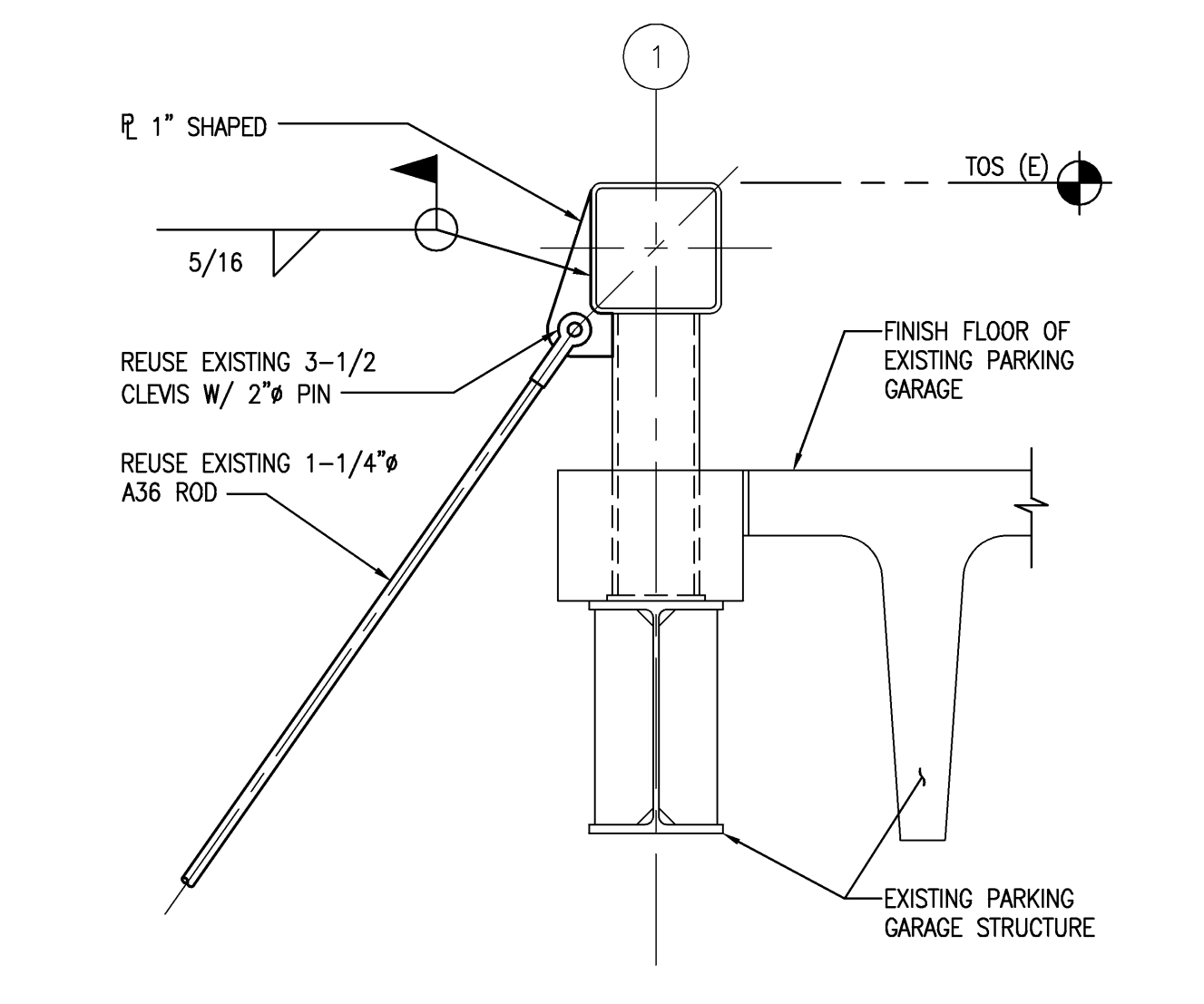
SECTION
SCALE: 3/4" = 1'-0"



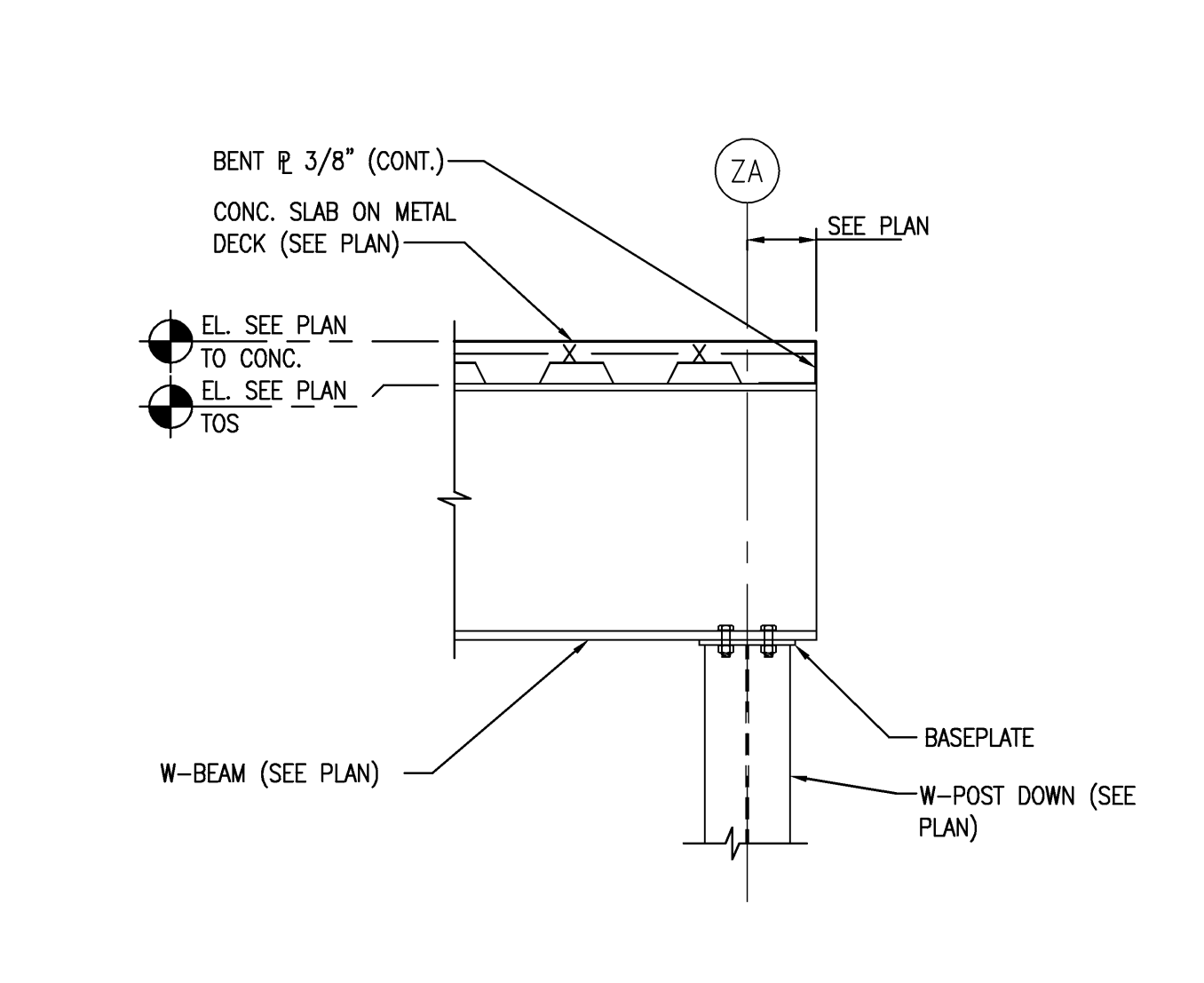
SECTION
SCALE: 3/4" = 1'-0"



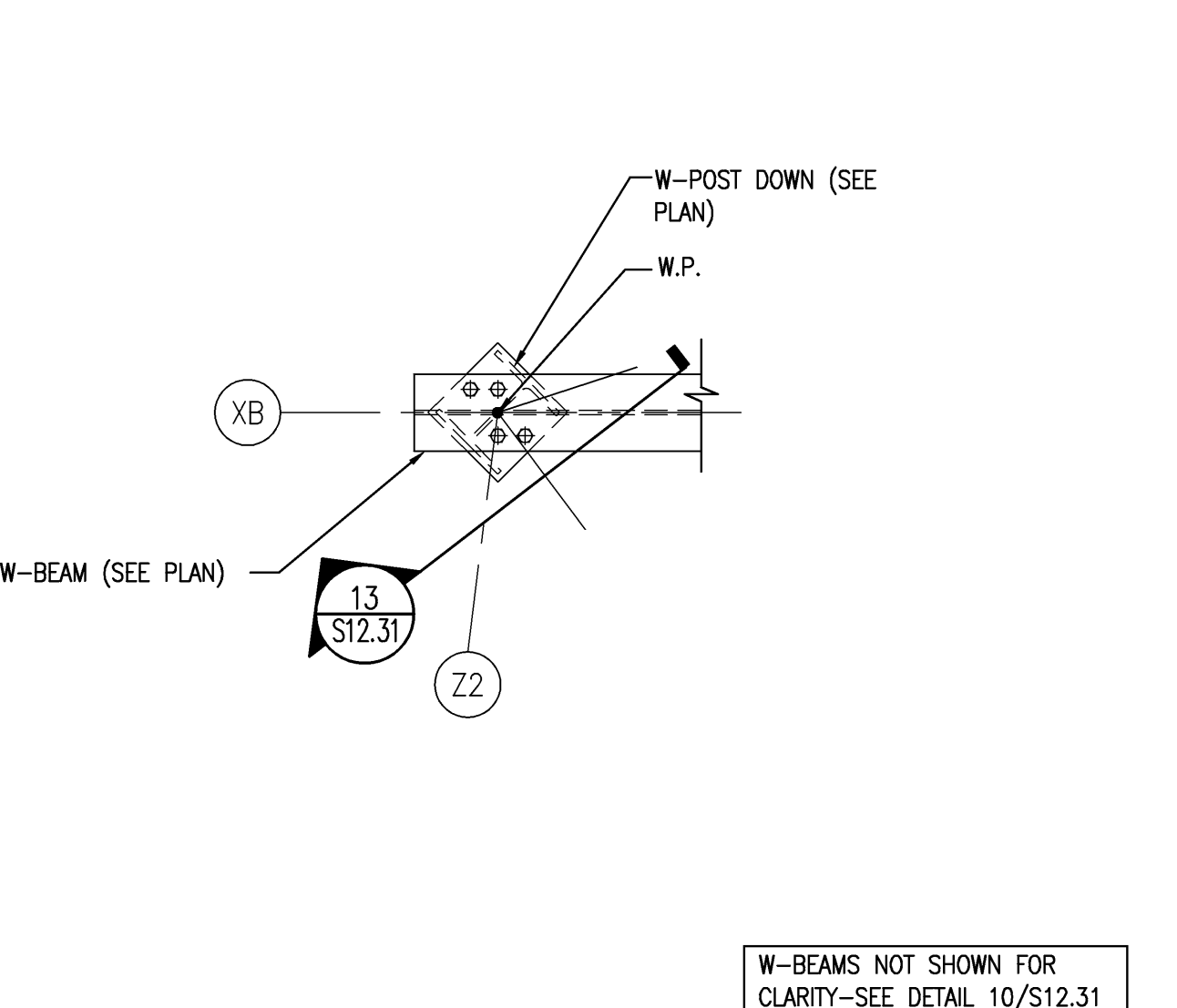
SECTION
SCALE: 3/4" = 1'-0"



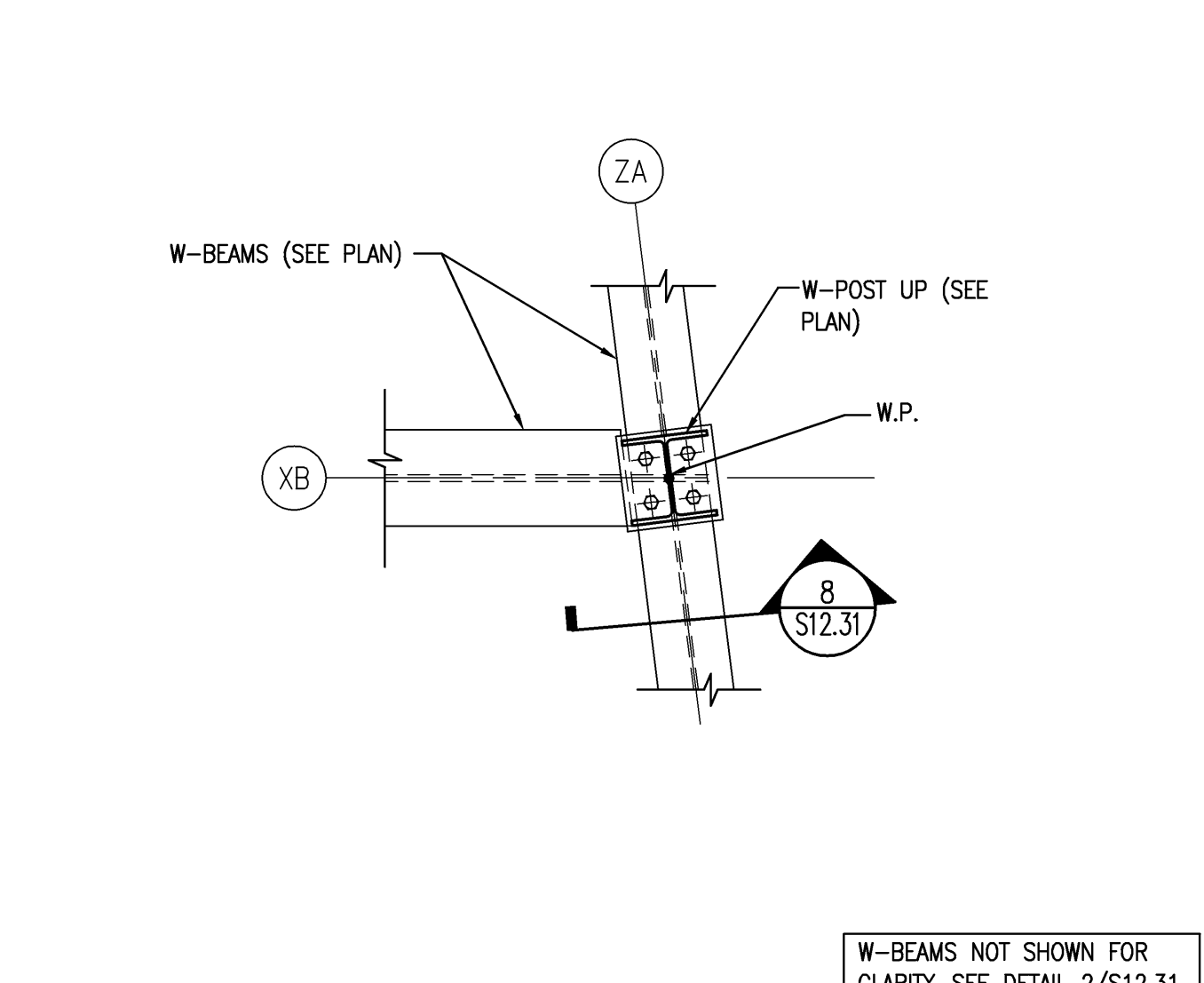
SECTION
SCALE: 3/4" = 1'-0"



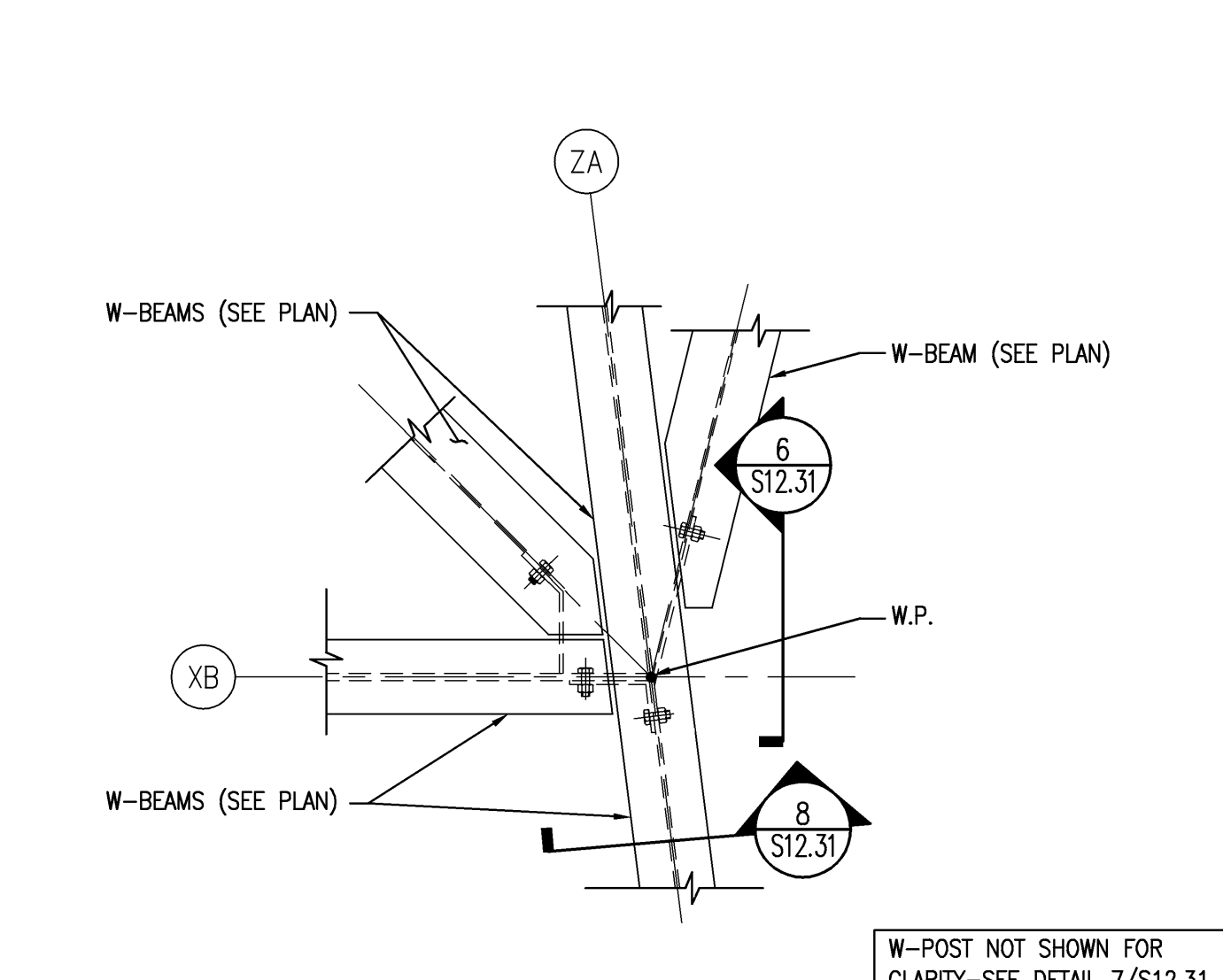
SECTION
SCALE: 3/4" = 1'-0"



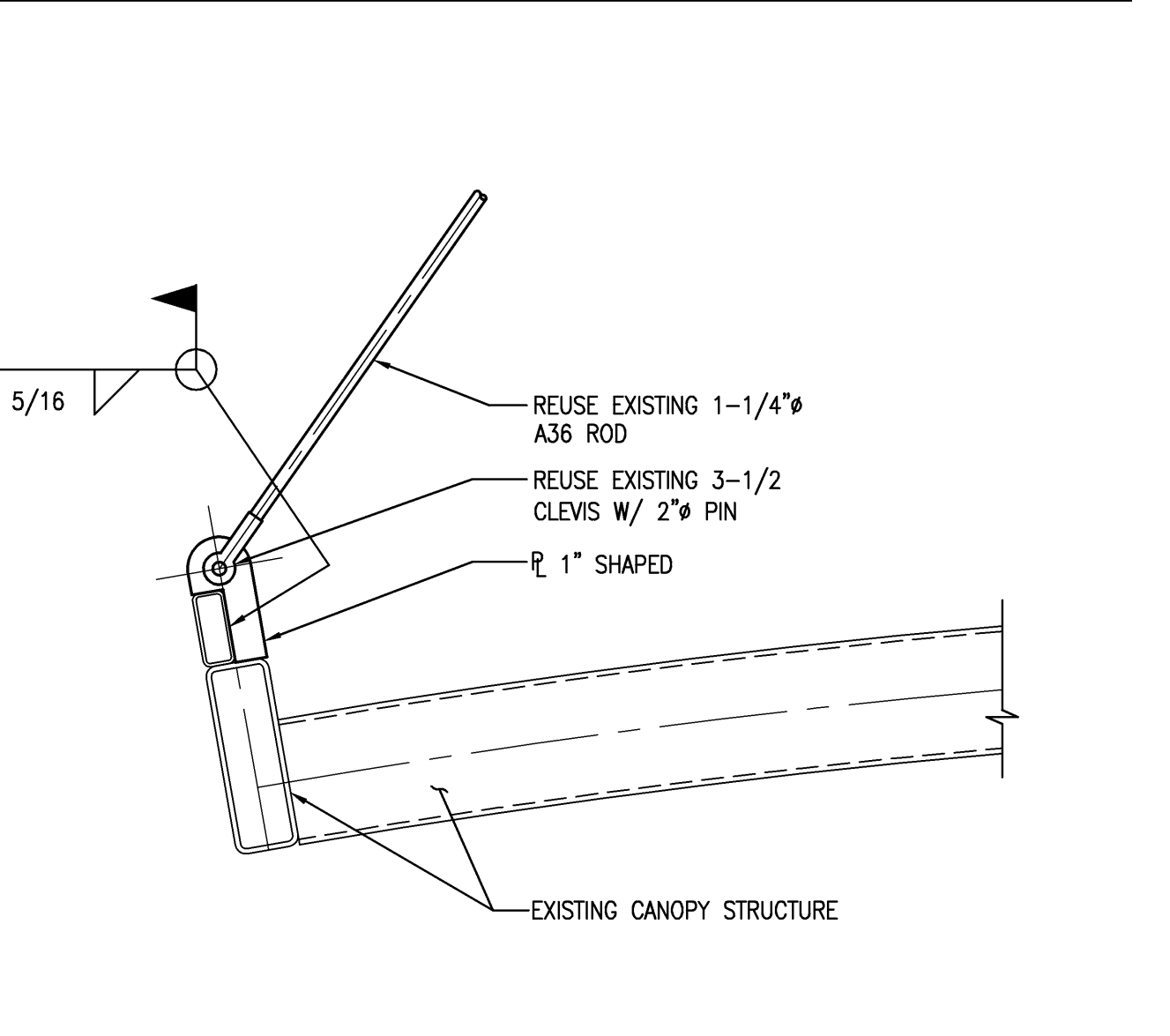
DETAIL
SCALE: 3/4" = 1'-0"



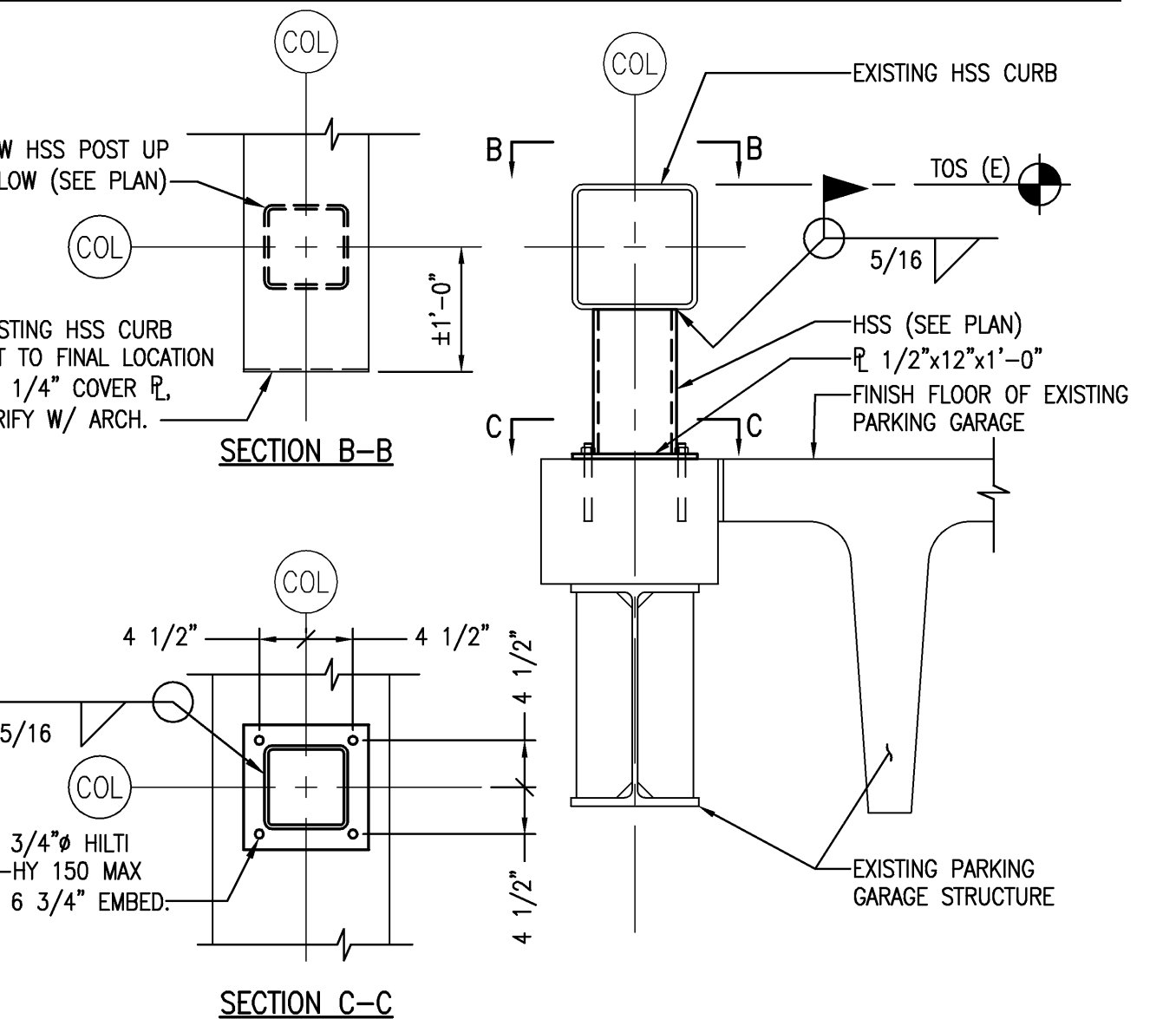
DETAIL
SCALE: 3/4" = 1'-0"



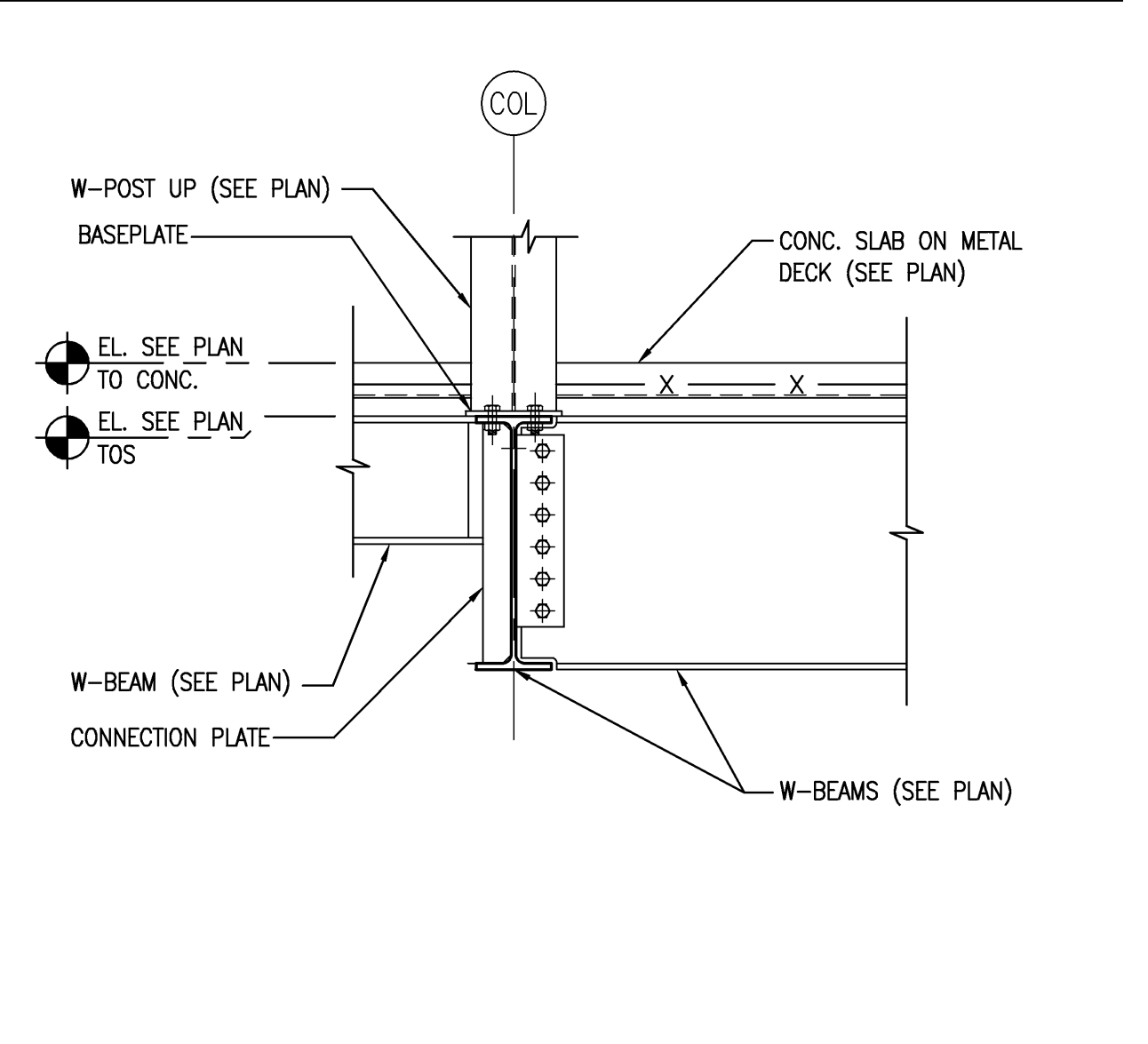
DETAIL
SCALE: 3/4" = 1'-0"



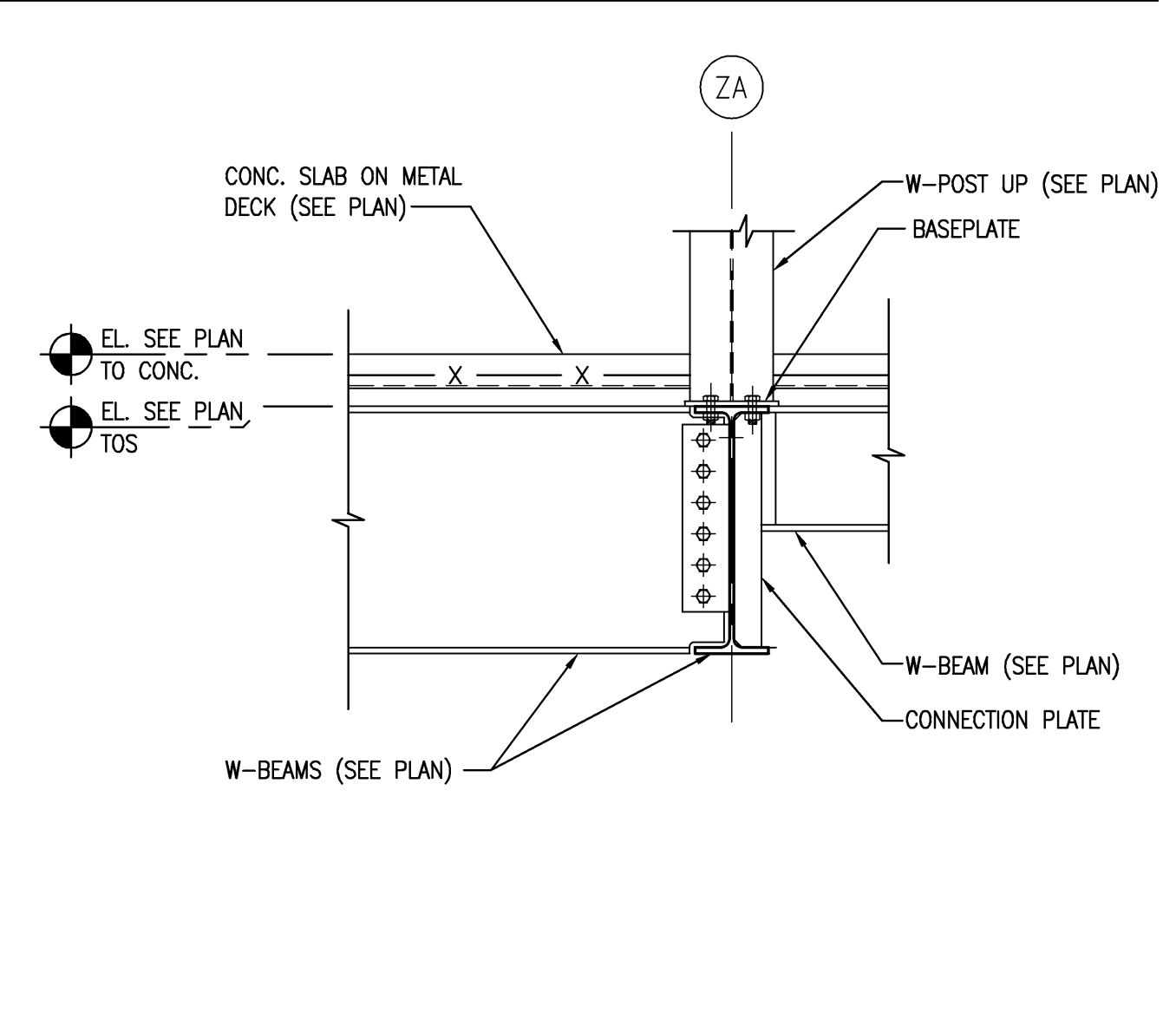
SECTION
SCALE: 3/4" = 1'-0"



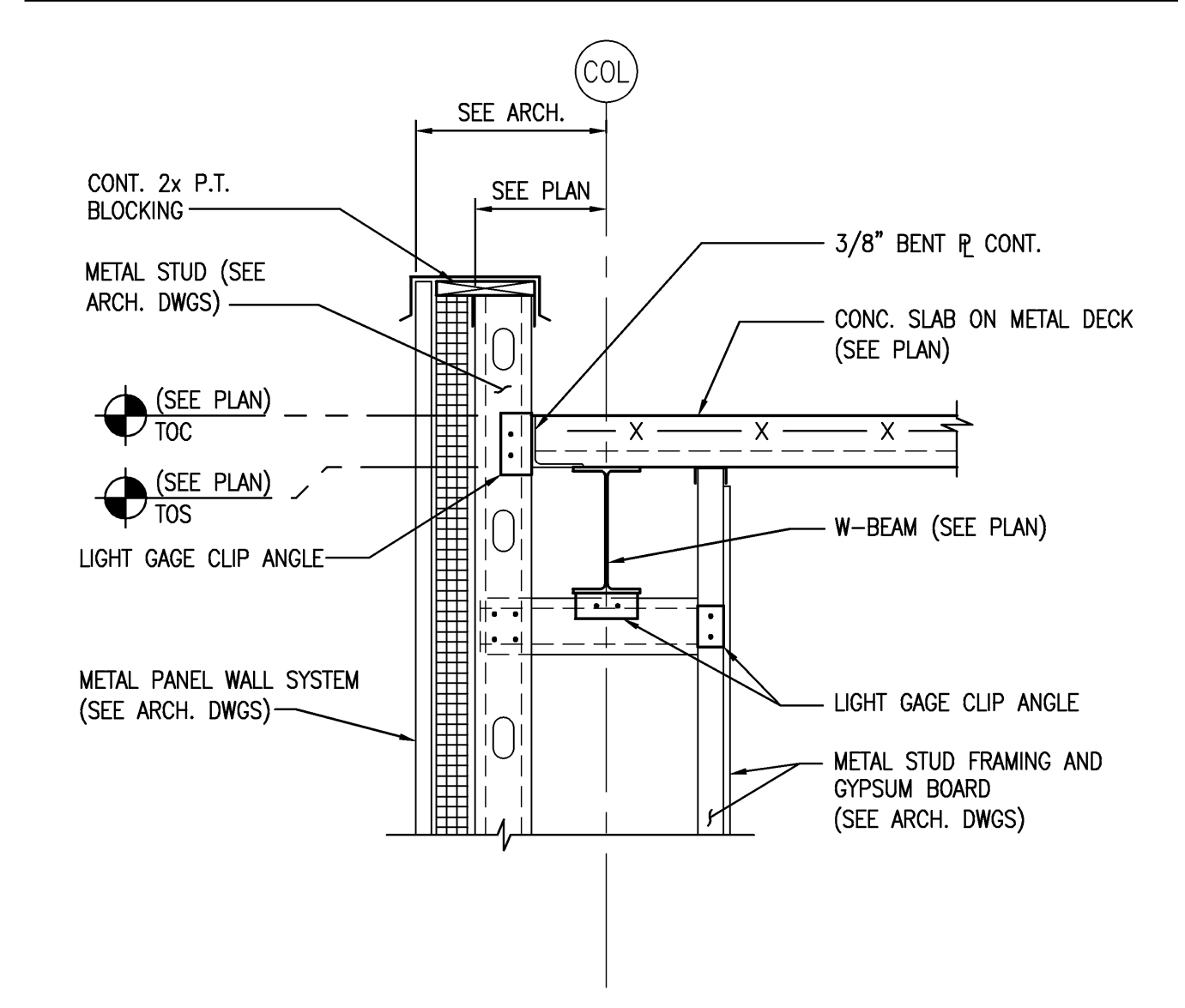
SECTION
SCALE: 3/4" = 1'-0"



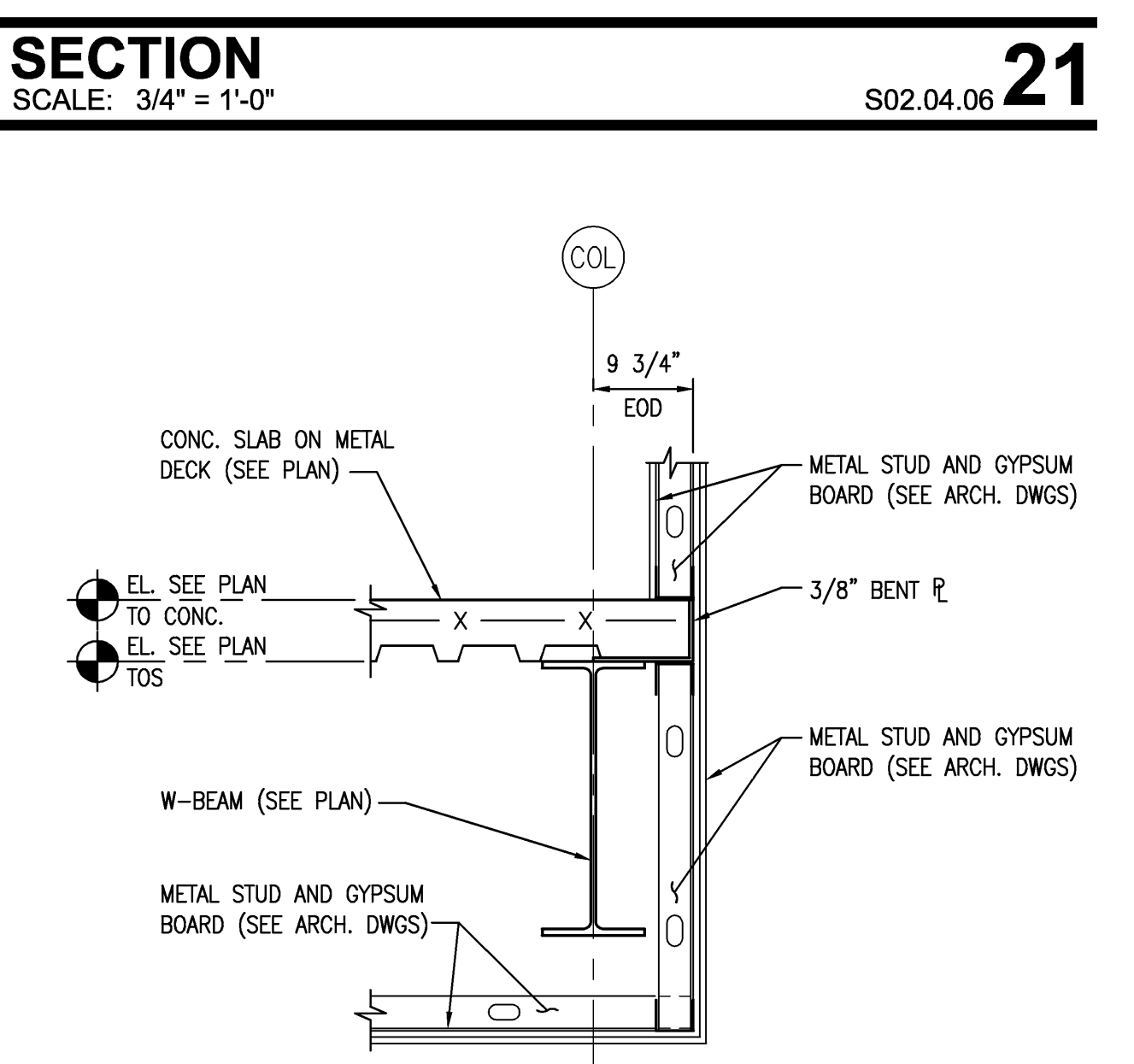
SECTION
SCALE: 3/4" = 1'-0"



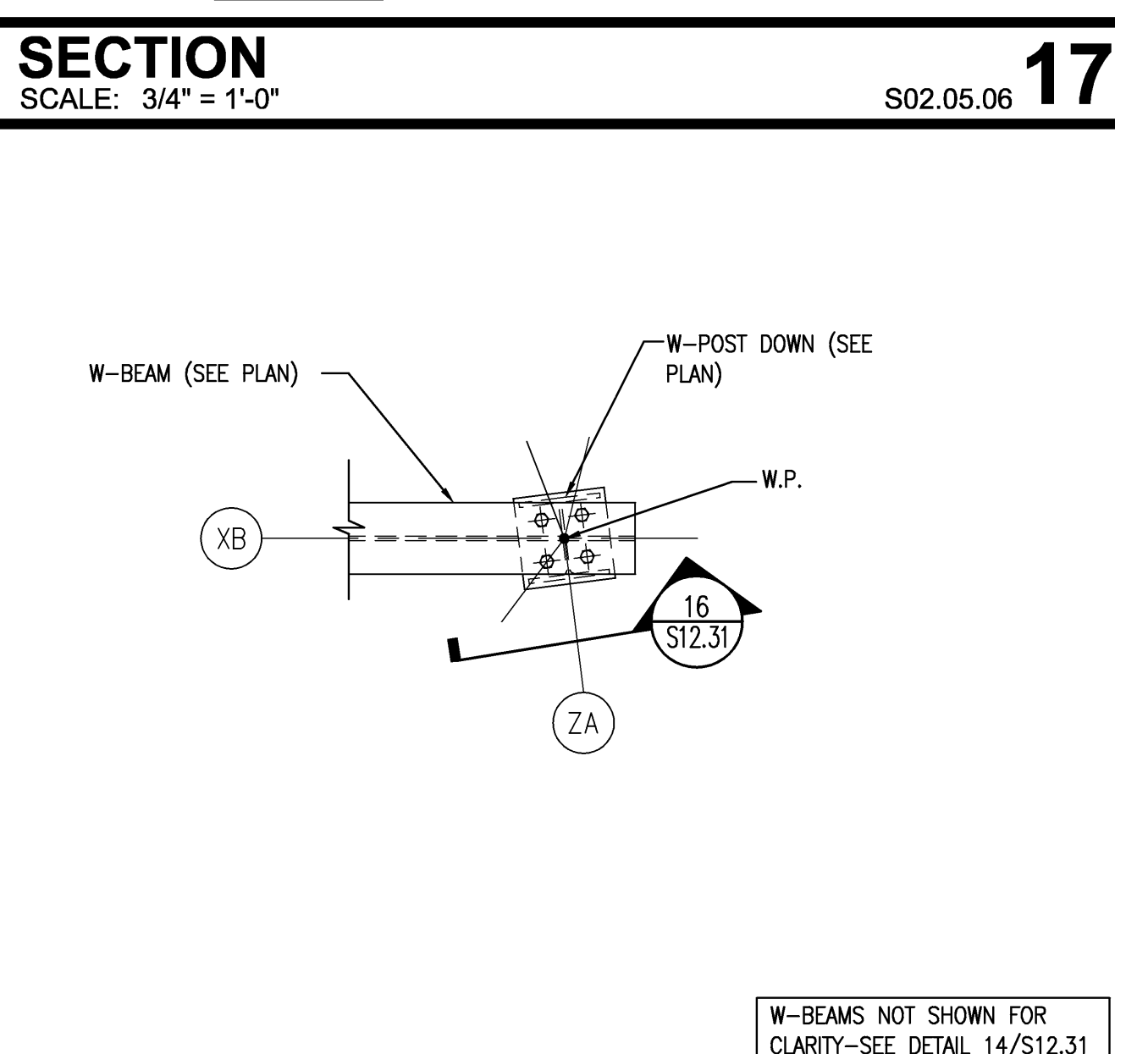
SECTION
SCALE: 3/4" = 1'-0"



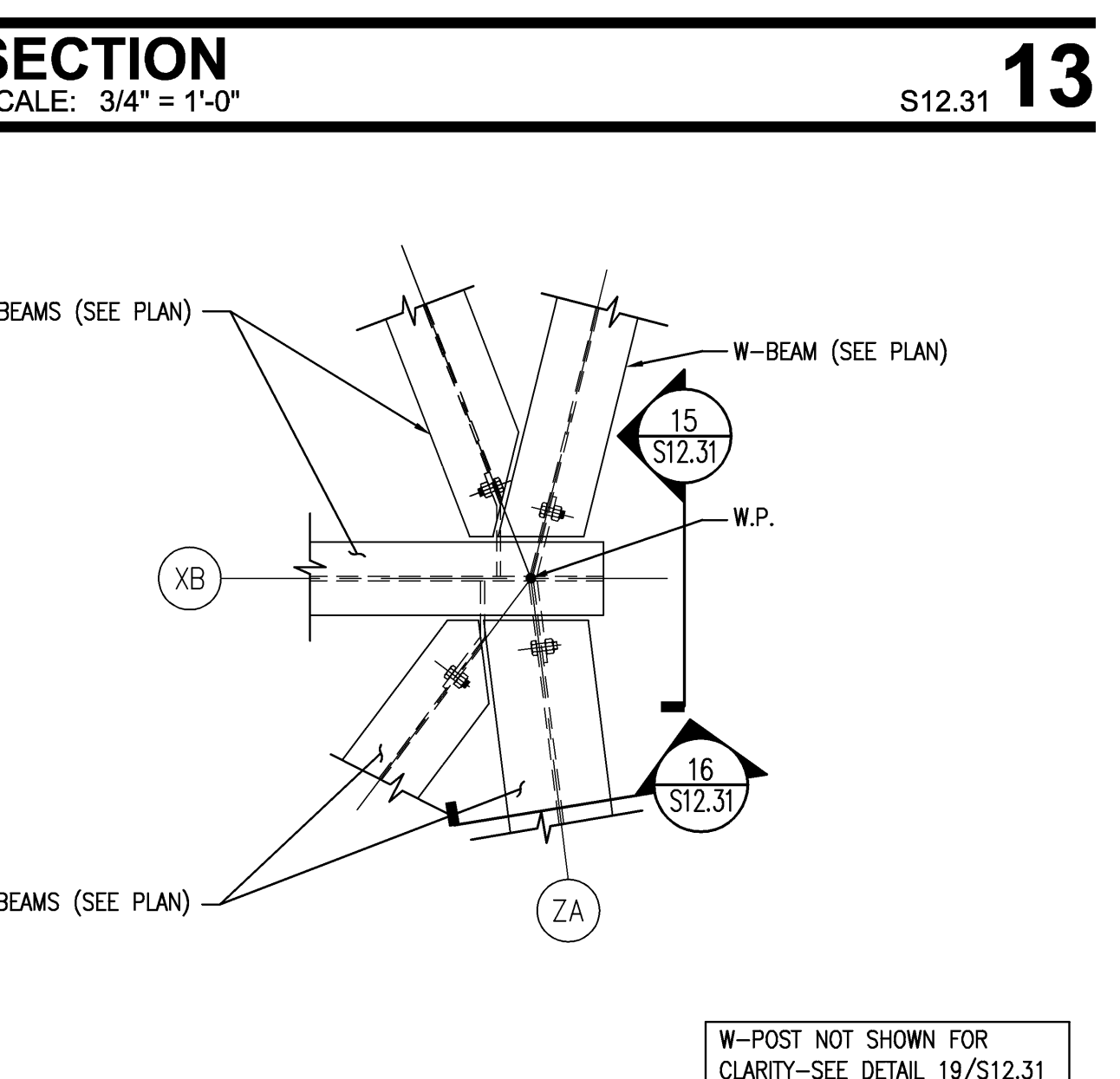
SECTION
SCALE: 3/4" = 1'-0"



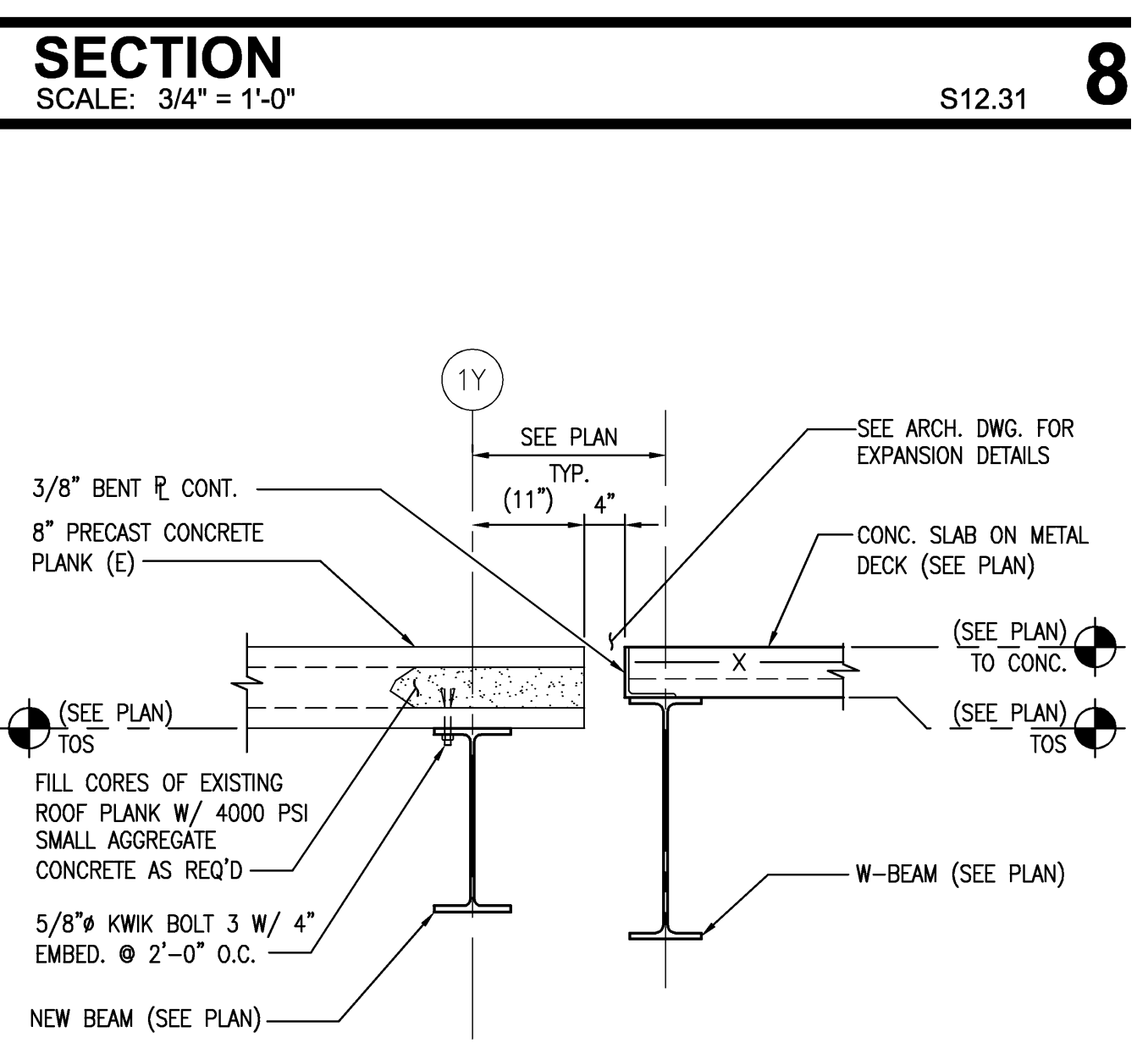
SECTION
SCALE: 3/4" = 1'-0"



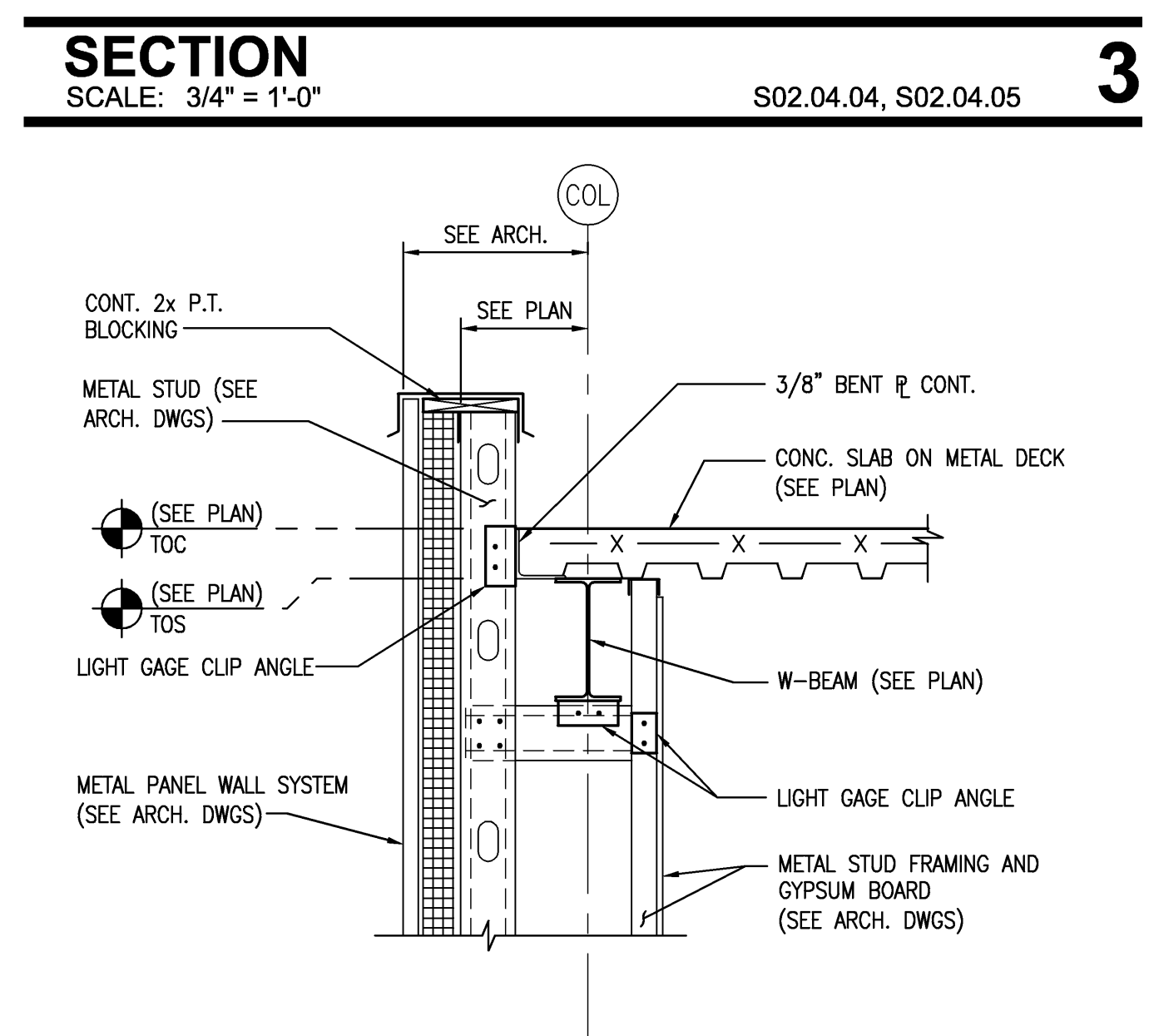
SECTION
SCALE: 3/4" = 1'-0"



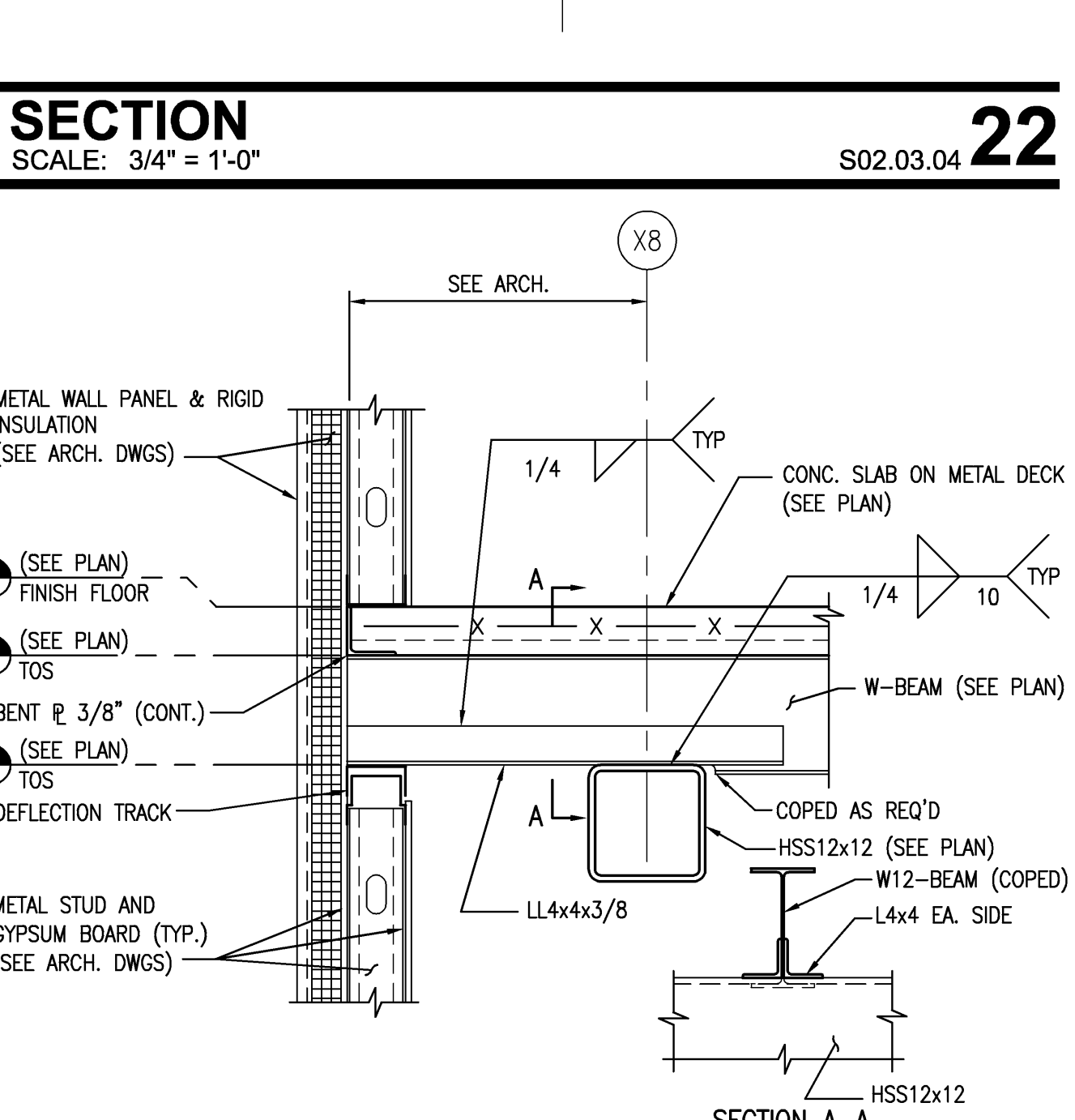
DETAIL
SCALE: 3/4" = 1'-0"



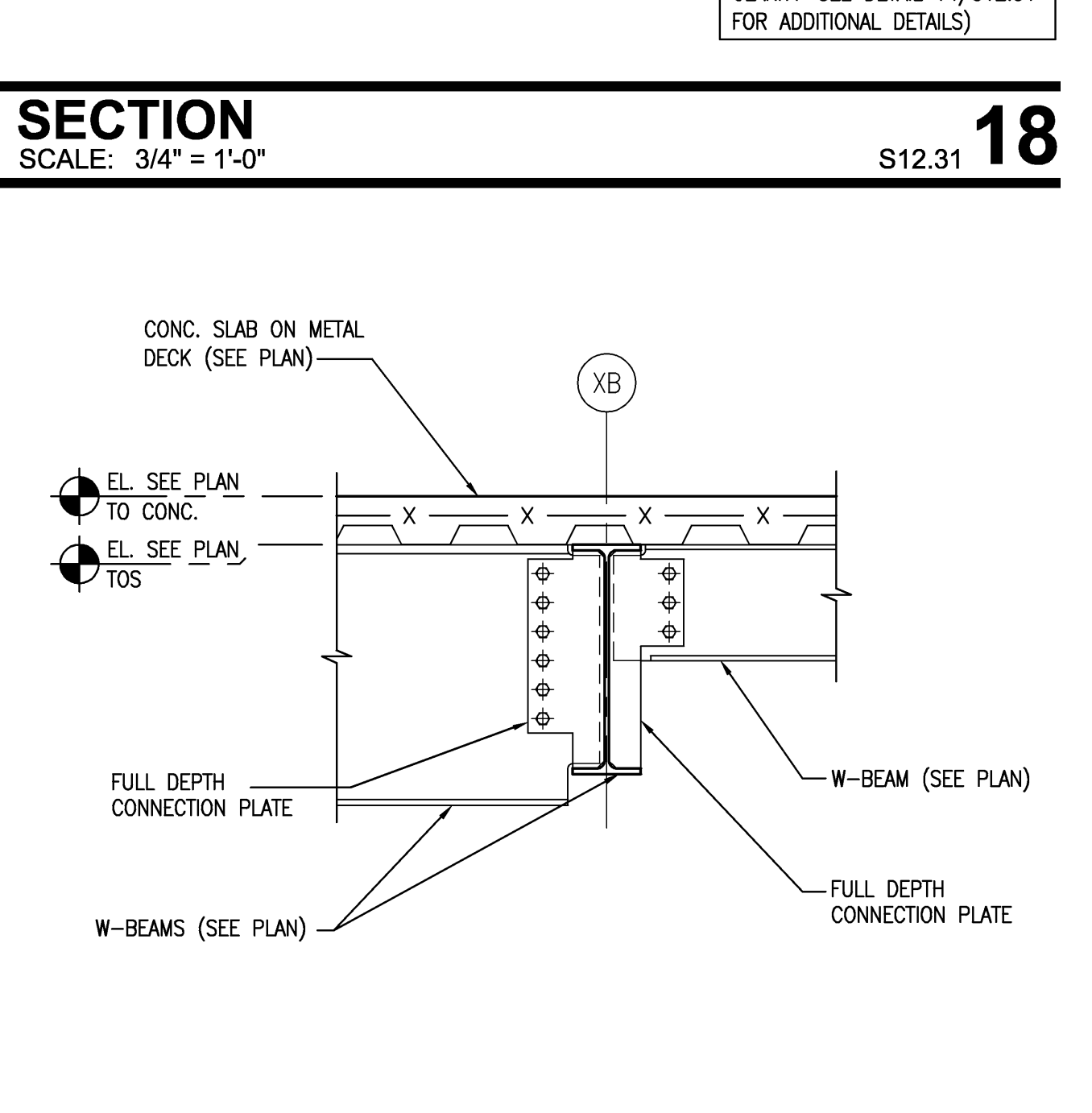
SECTION
SCALE: 3/4" = 1'-0"



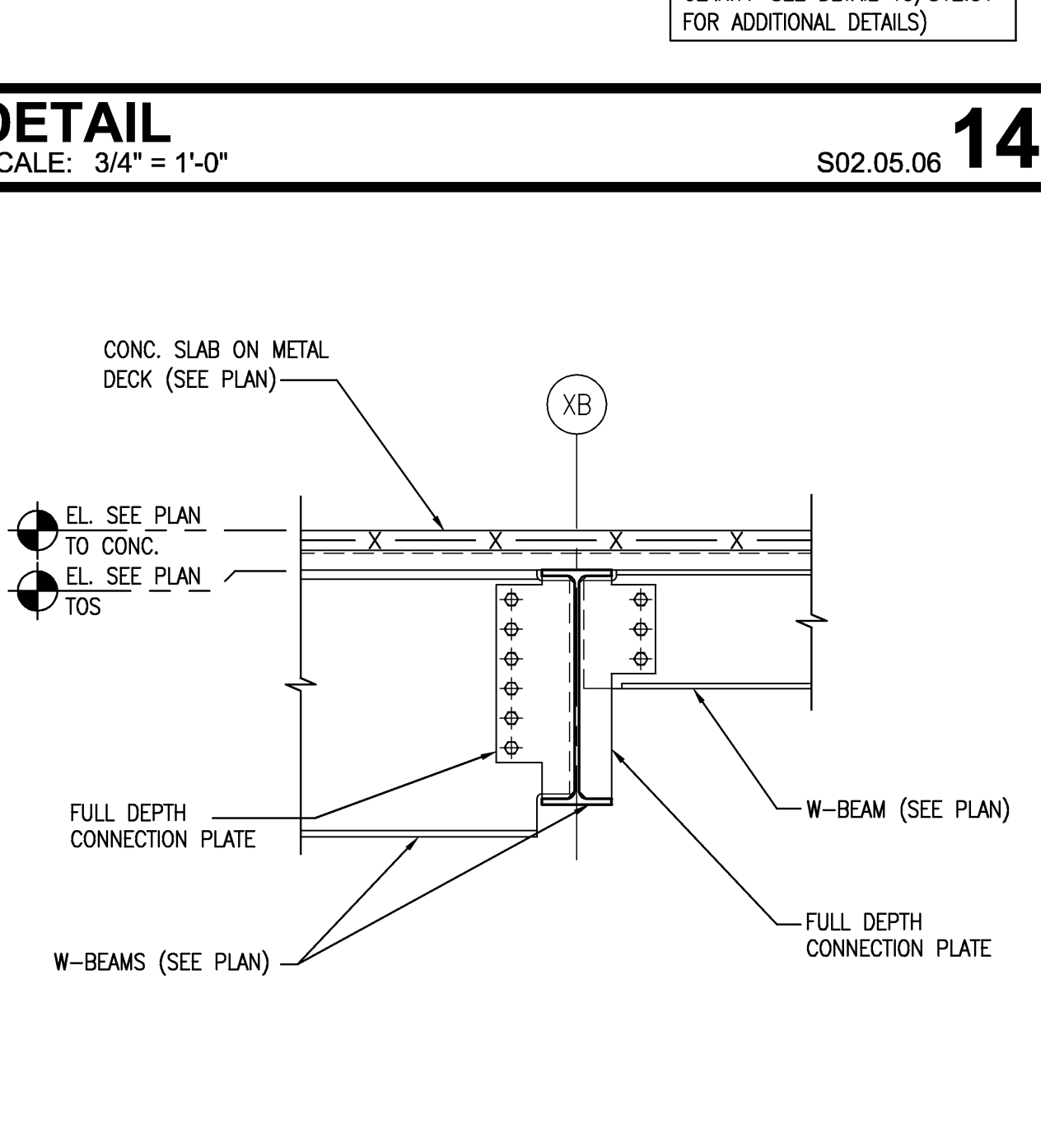
SECTION
SCALE: 3/4" = 1'-0"



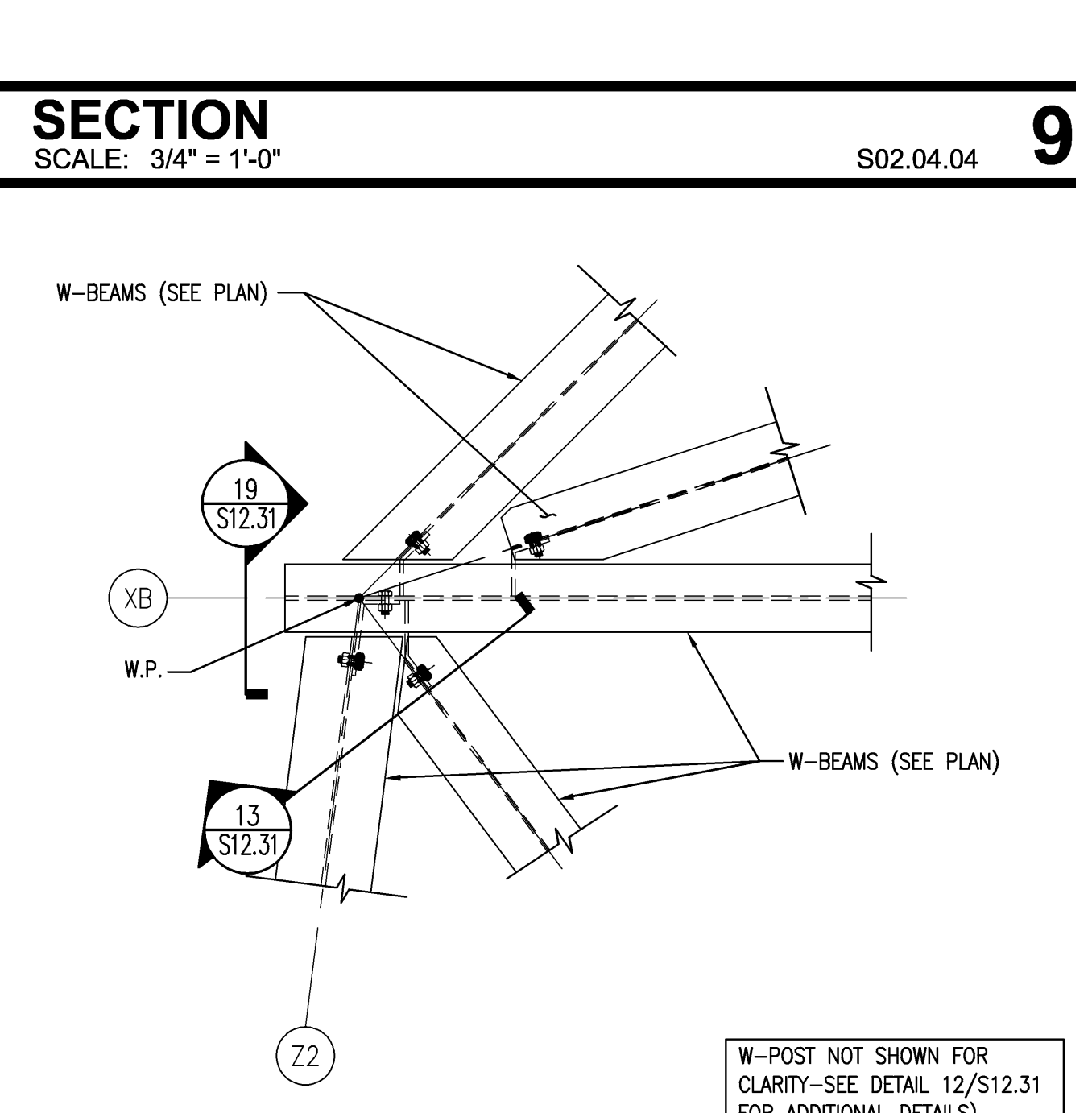
SECTION
SCALE: 3/4" = 1'-0"



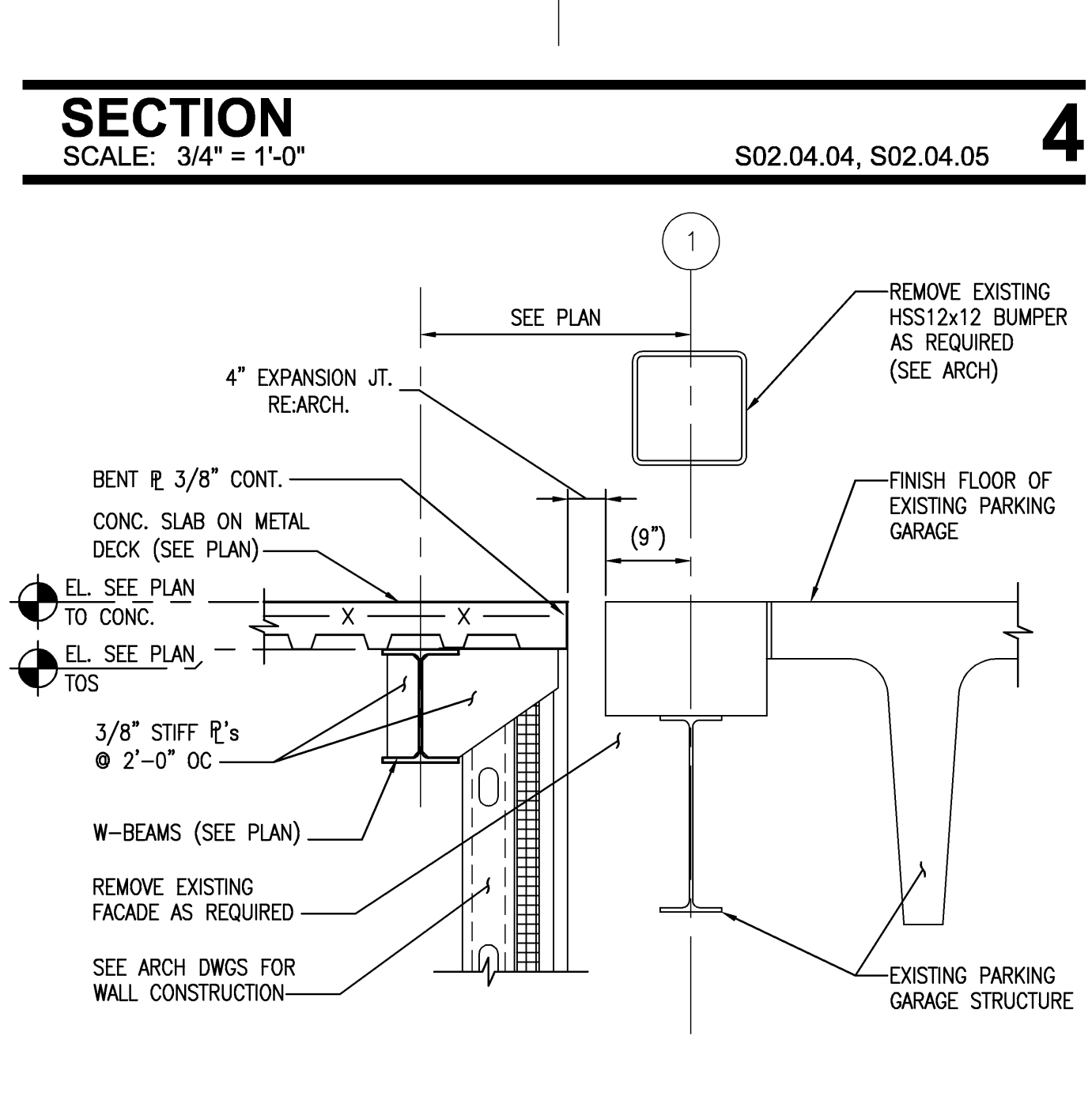
DETAIL
SCALE: 3/4" = 1'-0"



SECTION
SCALE: 3/4" = 1'-0"



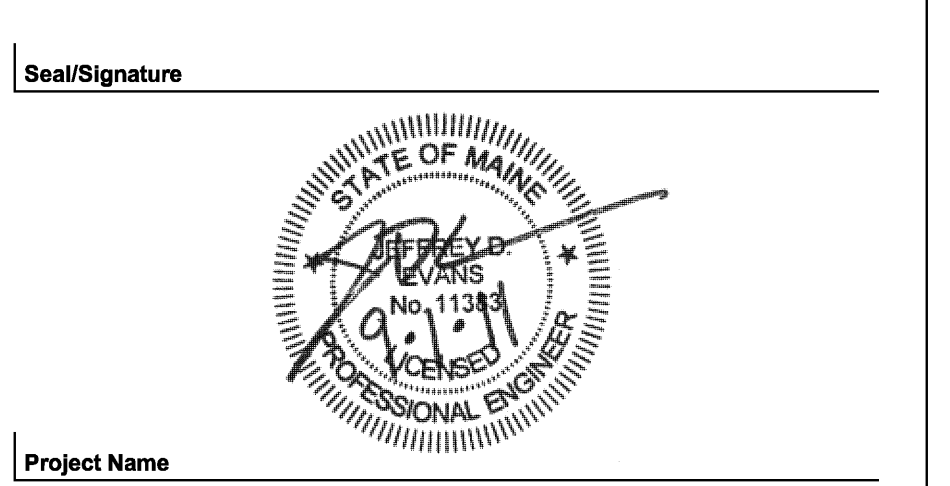
DETAIL
SCALE: 3/4" = 1'-0"



SECTION
SCALE: 3/4" = 1'-0"

THESE DRAWINGS ARE ISSUED FOR CONSTRUCTION AND REFLECT ALL AEC ISSUED BULLETINS AND SKETCHES.

Issue	Date & Issue Description	By	Check
-- 01	01/23/09 95% CONSTRUCTION DOCUMENTS	JDE	--
-- 02	10/26/09 ISSUED FOR PERMIT	JDE	--
Δ 03	01/12/10 BULLETIN #1	JDE	--
Δ 04	02/03/10 BULLETIN #5	JDE	--
Δ 05	05/03/10 BULLETIN #10	JDE	--
145 06	09/01/11 ISSUED FOR CONSTRUCTION	JDE	--



Project Name
PJM Terminal Enhancement

Project Number
08-8395-000

CAD File Name
T:\5330101\SHEETS\S12.31.DWG

Description
FRAMING SECTIONS & DETAILS - LEVEL 4

Scale
AS NOTED

S12.31