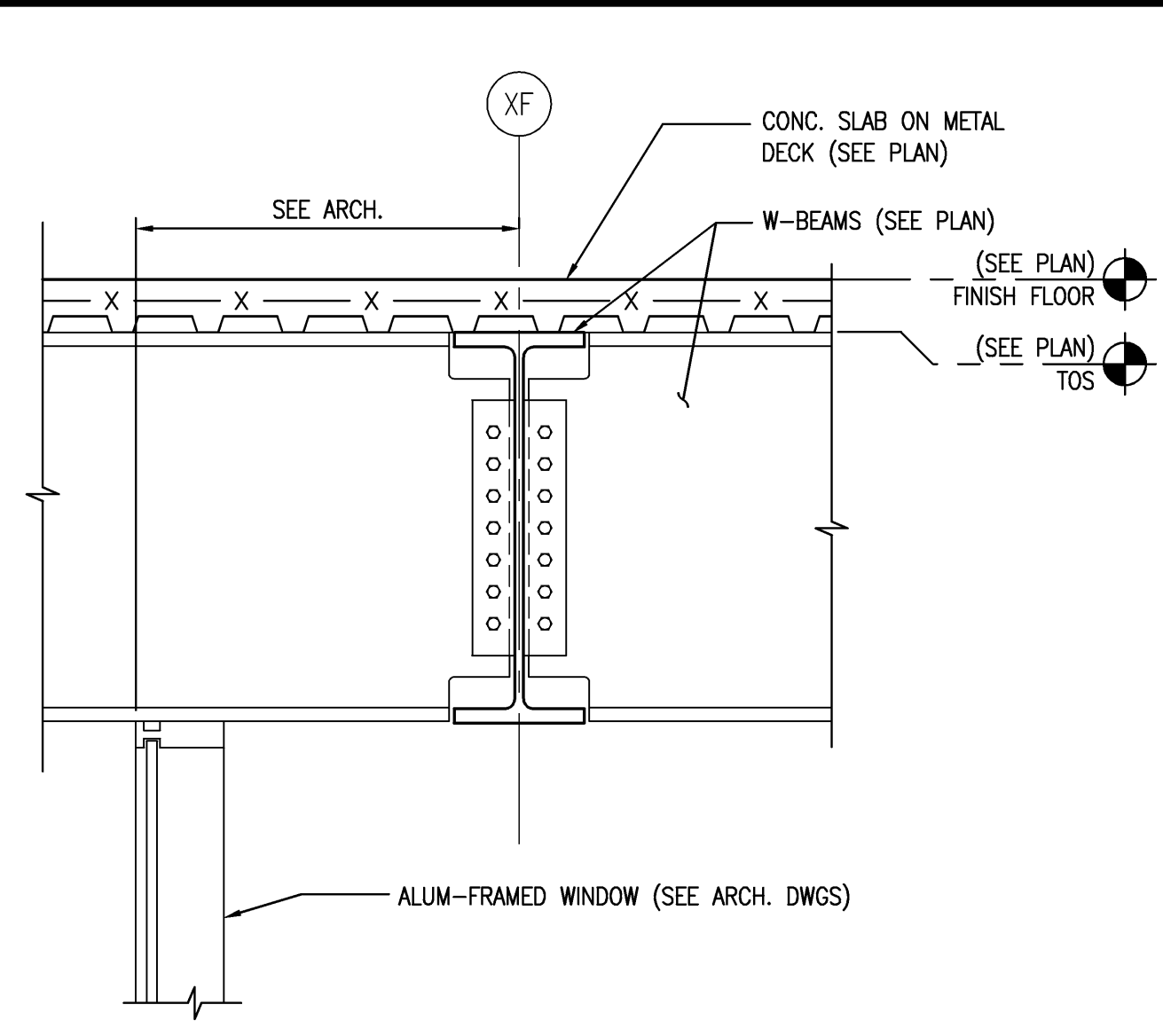
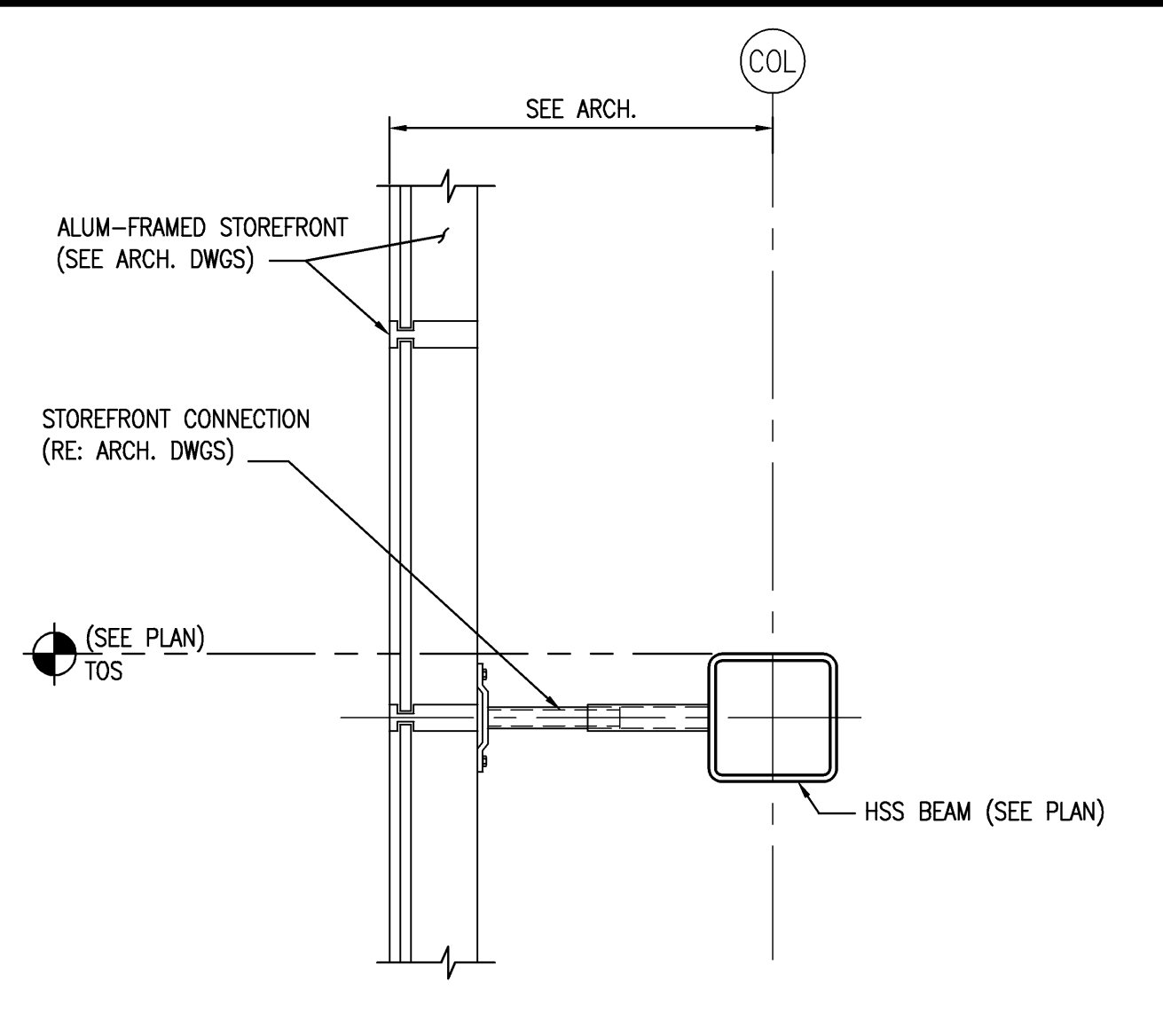


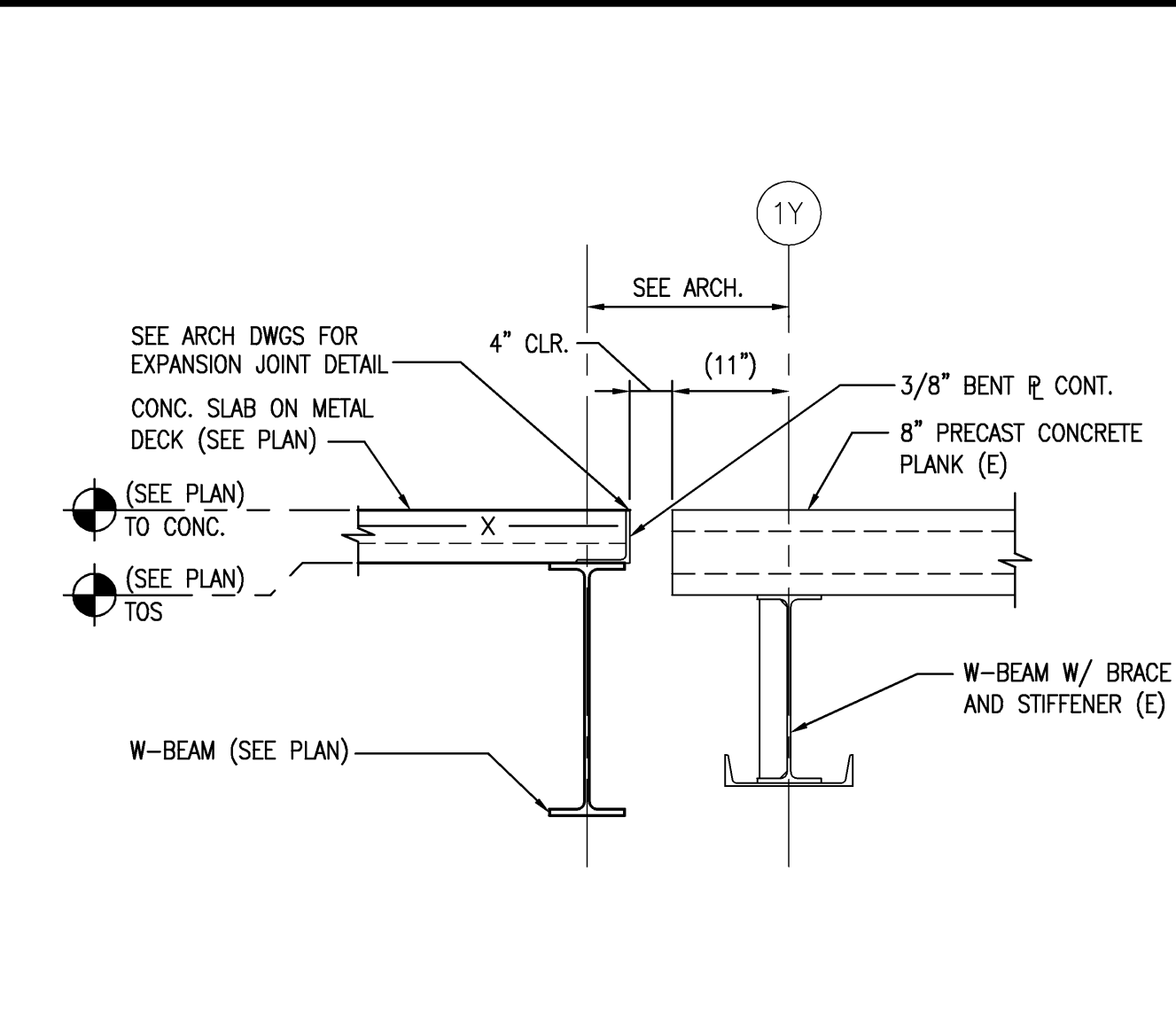
**SECTION @ ROOF LIGHT MOUTING POST**  
SCALE: 3/4" = 1'-0" S02.04.04, S02.04.05 **14**



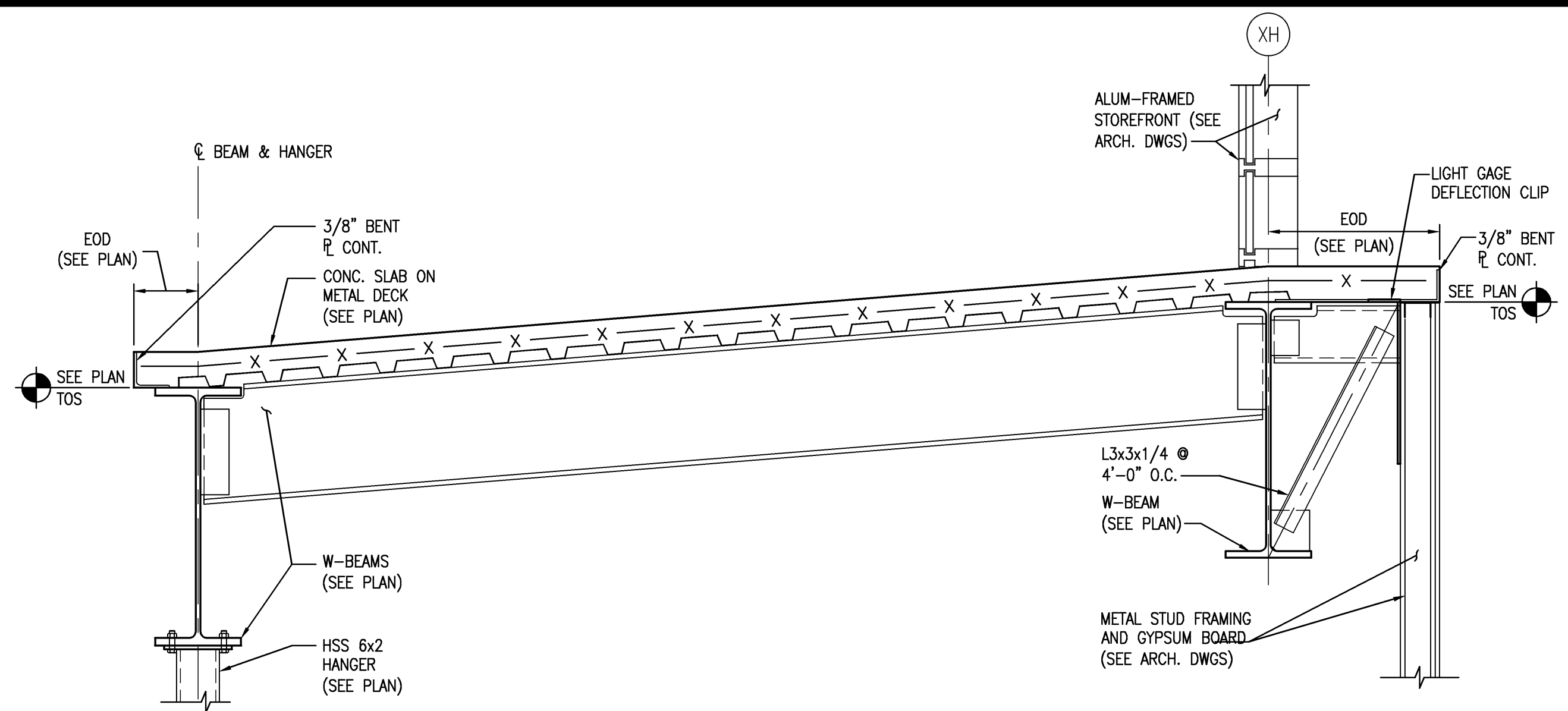
**SECTION**  
SCALE: 3/4" = 1'-0" S02.04.05 **11**



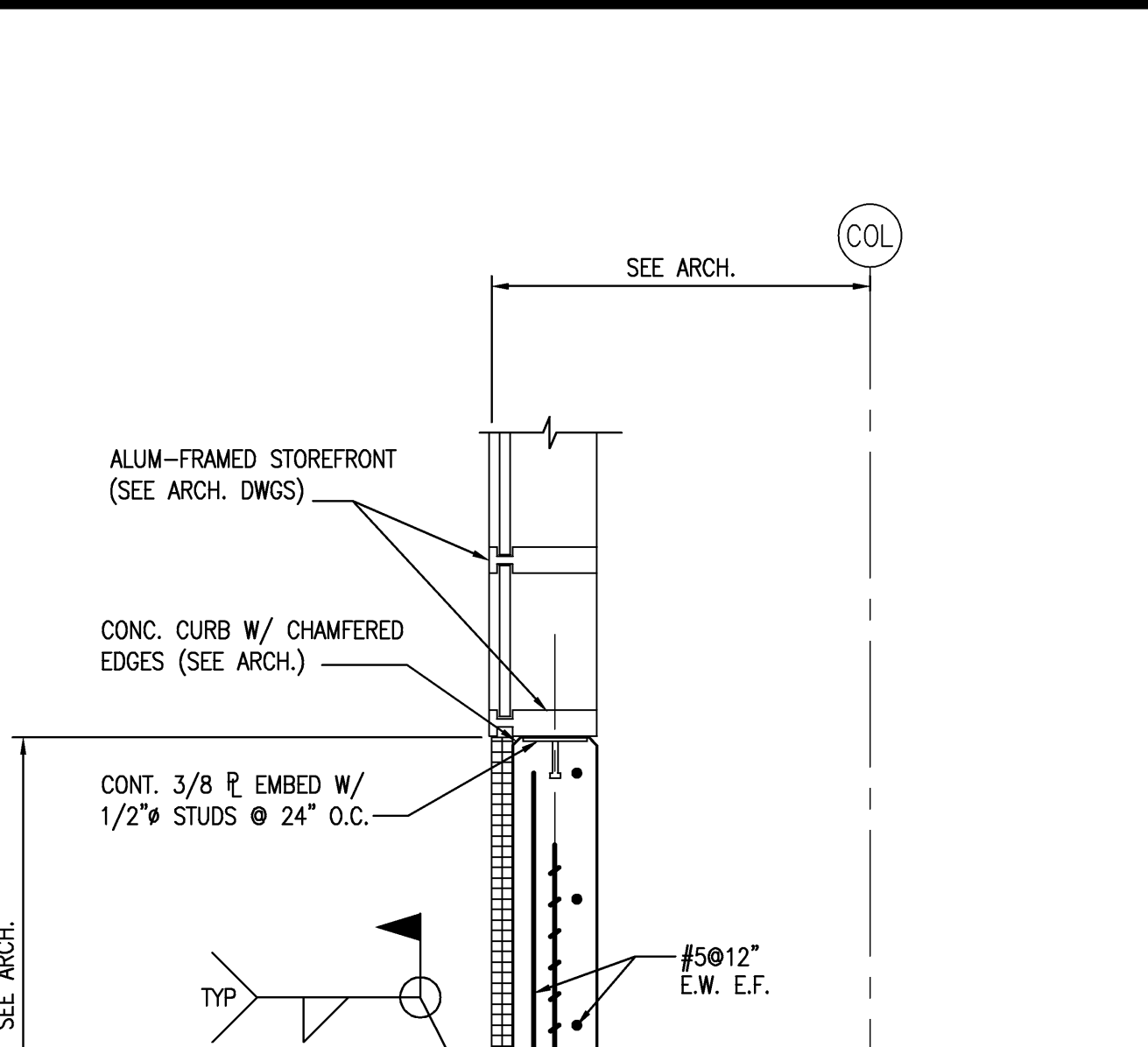
**SECTION**  
SCALE: 3/4" = 1'-0" S02.04.05 **6**



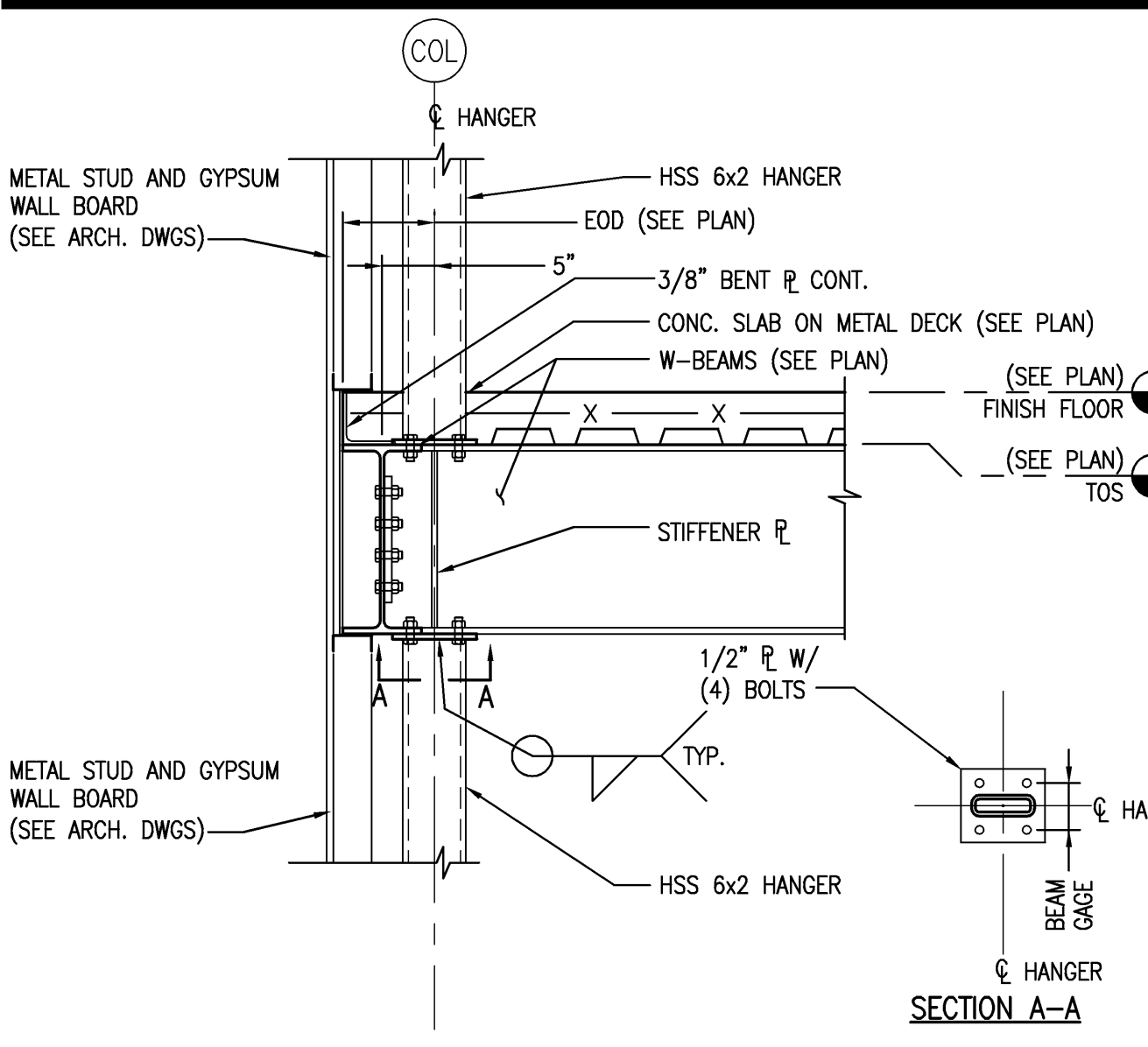
**SECTION**  
SCALE: 3/4" = 1'-0" S02.04.04 **1**



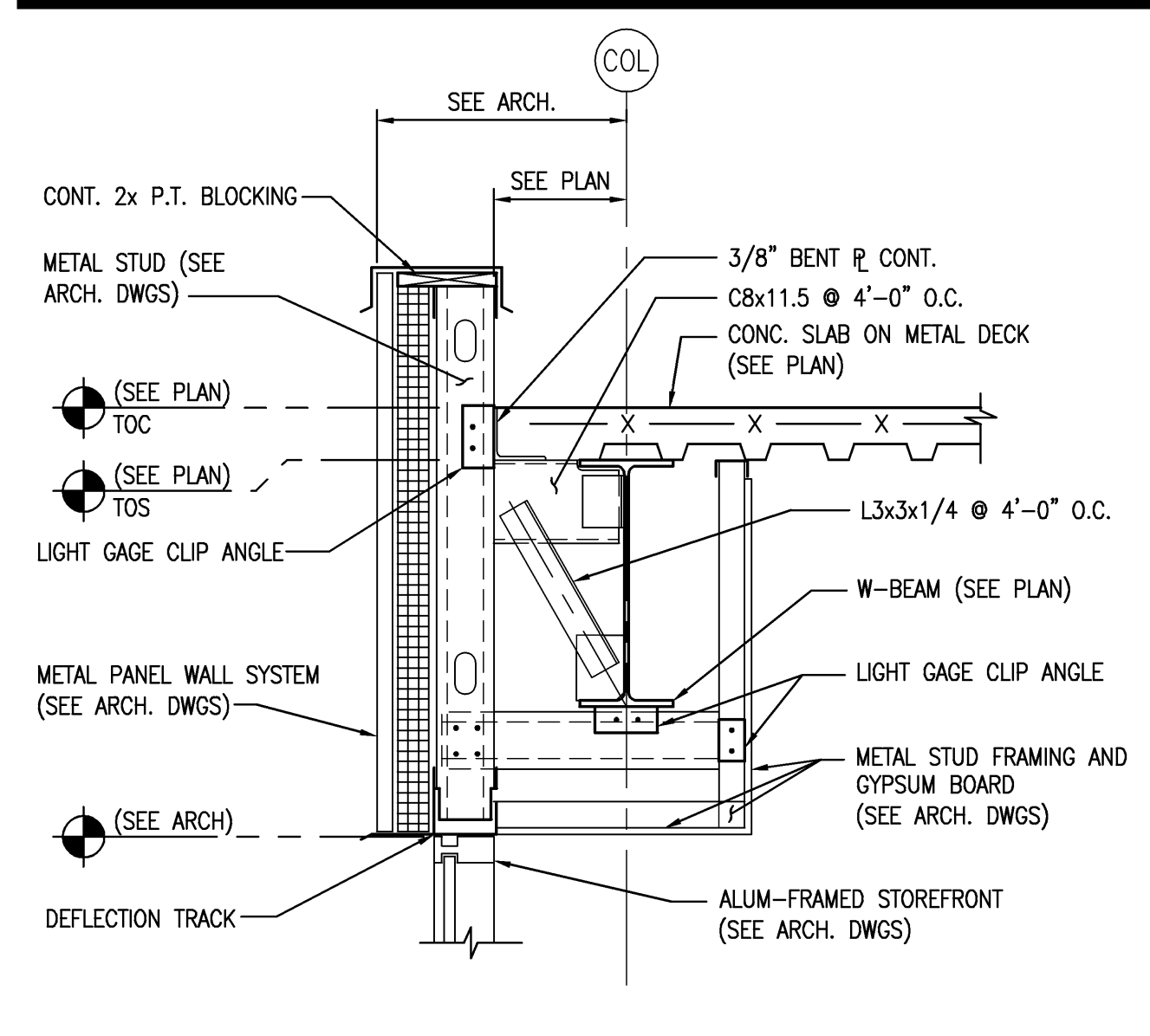
**SECTION**  
SCALE: 3/4" = 1'-0" S02.04.04, S02.04.05 **15**



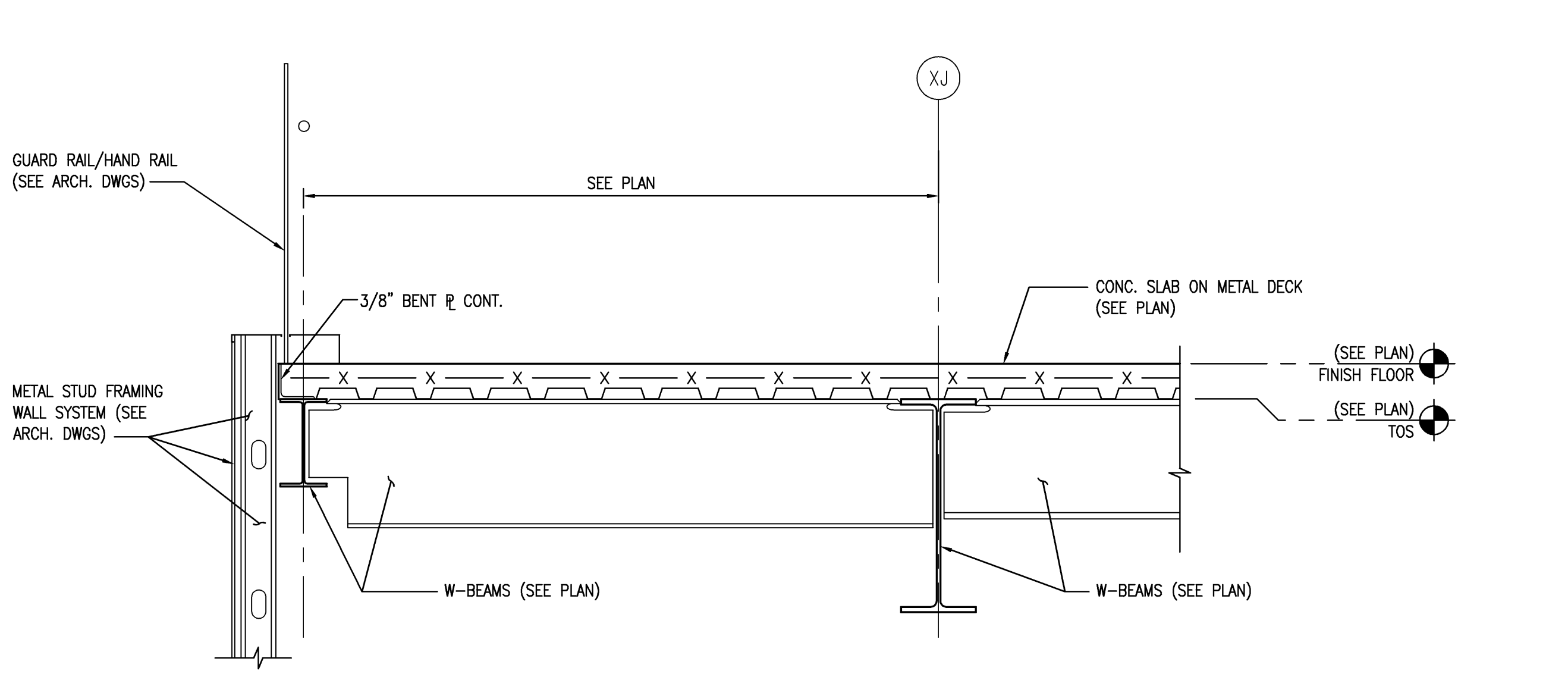
**SECTION**  
SCALE: 3/4" = 1'-0" S02.04.05 **7**



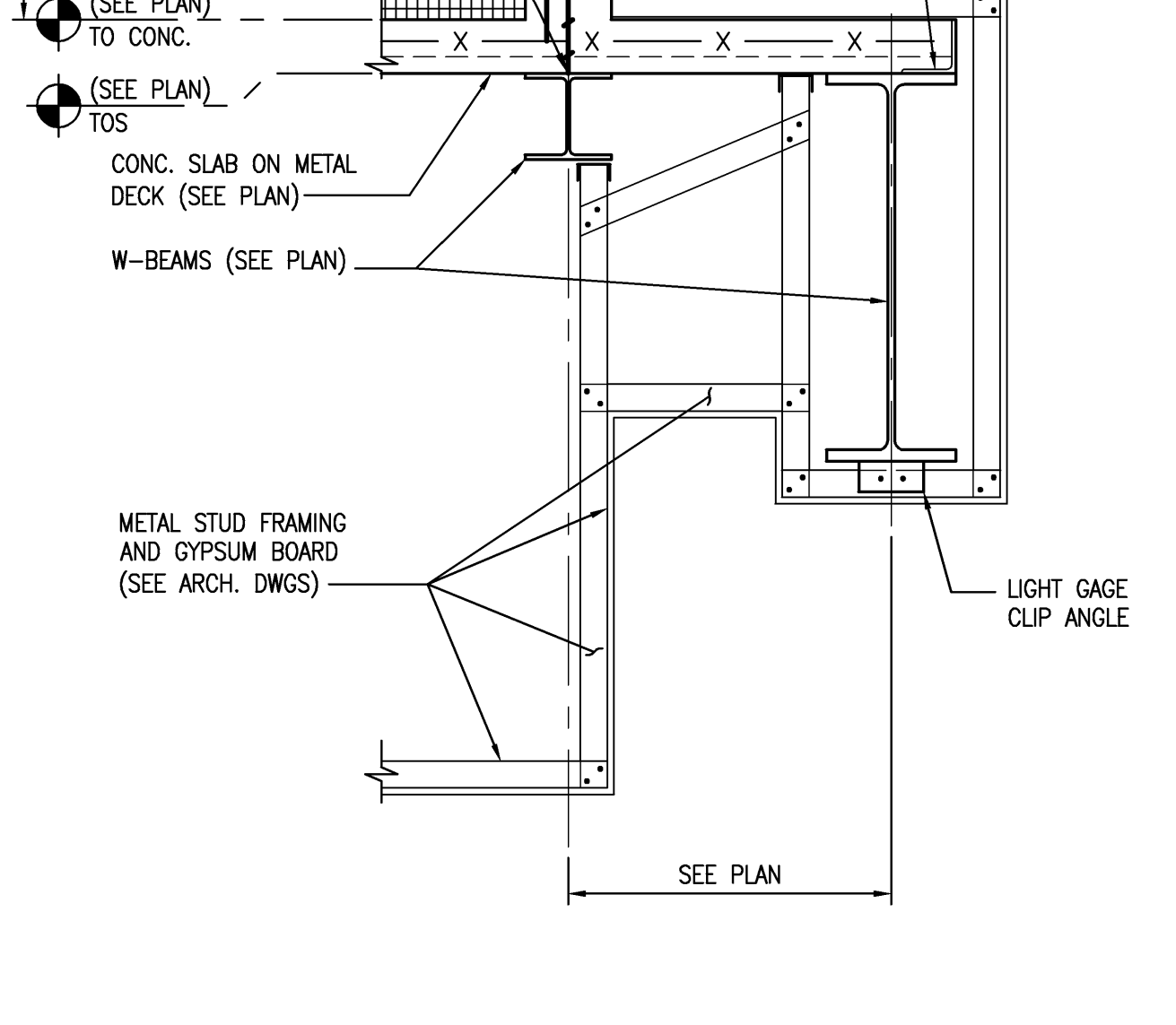
**SECTION**  
SCALE: 3/4" = 1'-0" S02.04.05, S02.RP.06 **2**



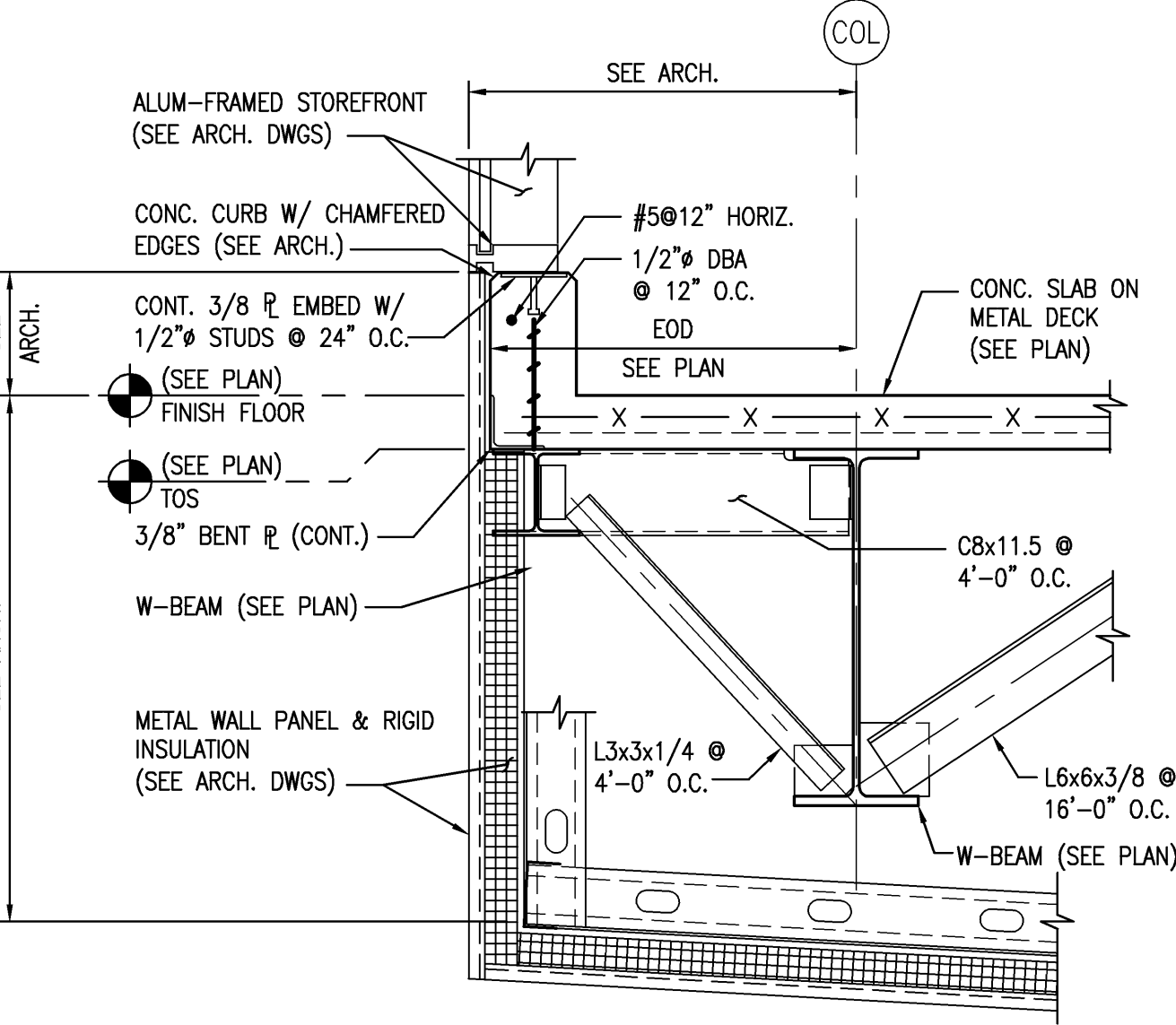
**SECTION**  
SCALE: 3/4" = 1'-0" S02.04.04, S02.04.05, S02.RP.06 **16**



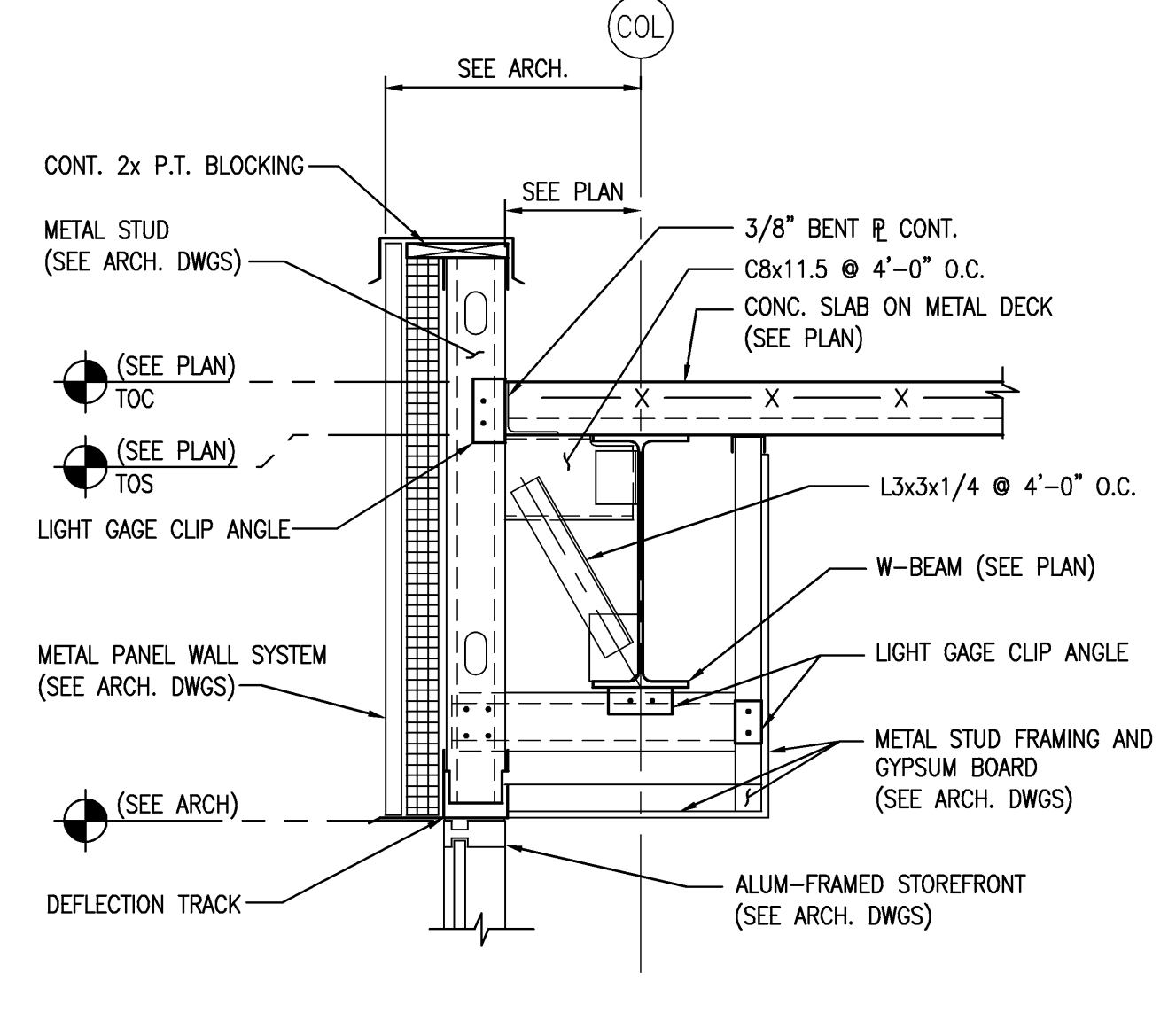
**SECTION**  
SCALE: 3/4" = 1'-0" S02.04.04, S02.04.05 **12**



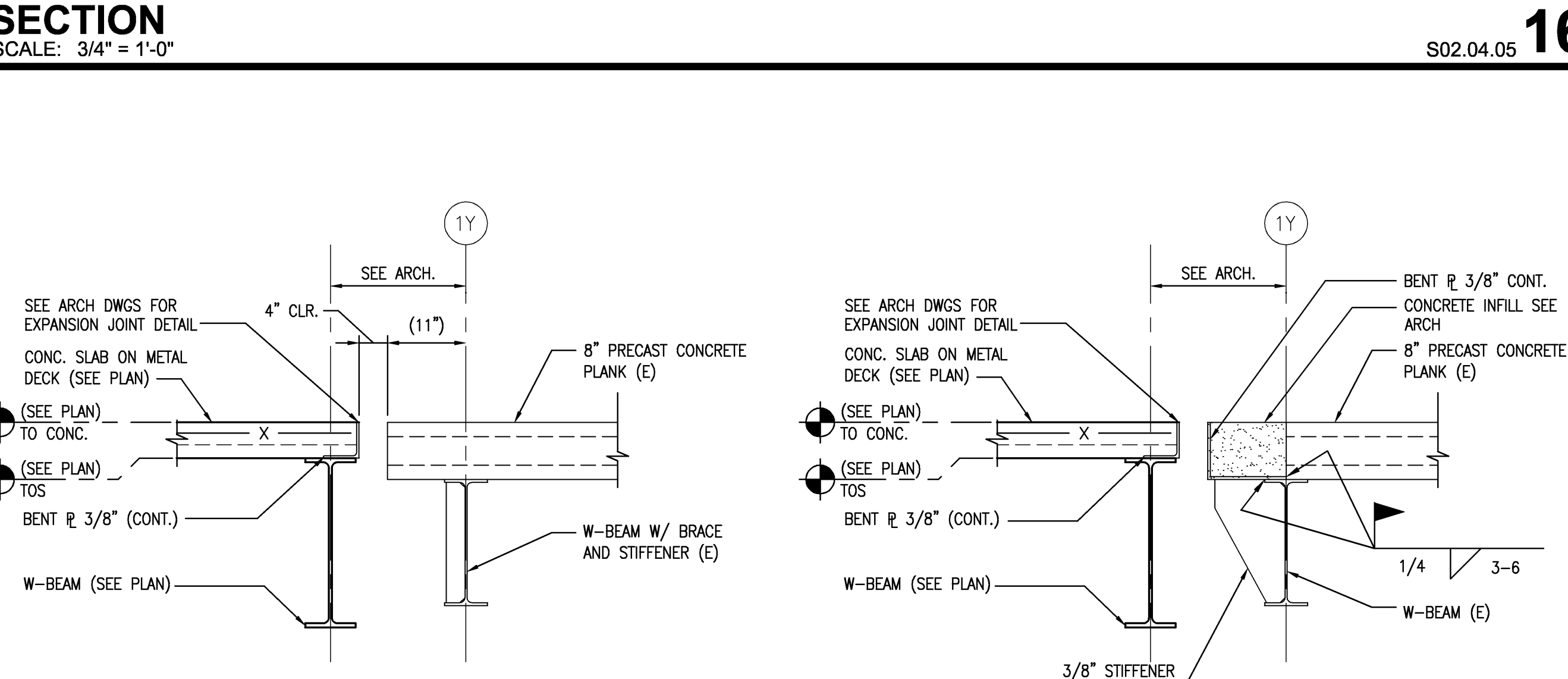
**SECTION**  
SCALE: 3/4" = 1'-0" S02.04.05, S02.RP.06 **3**



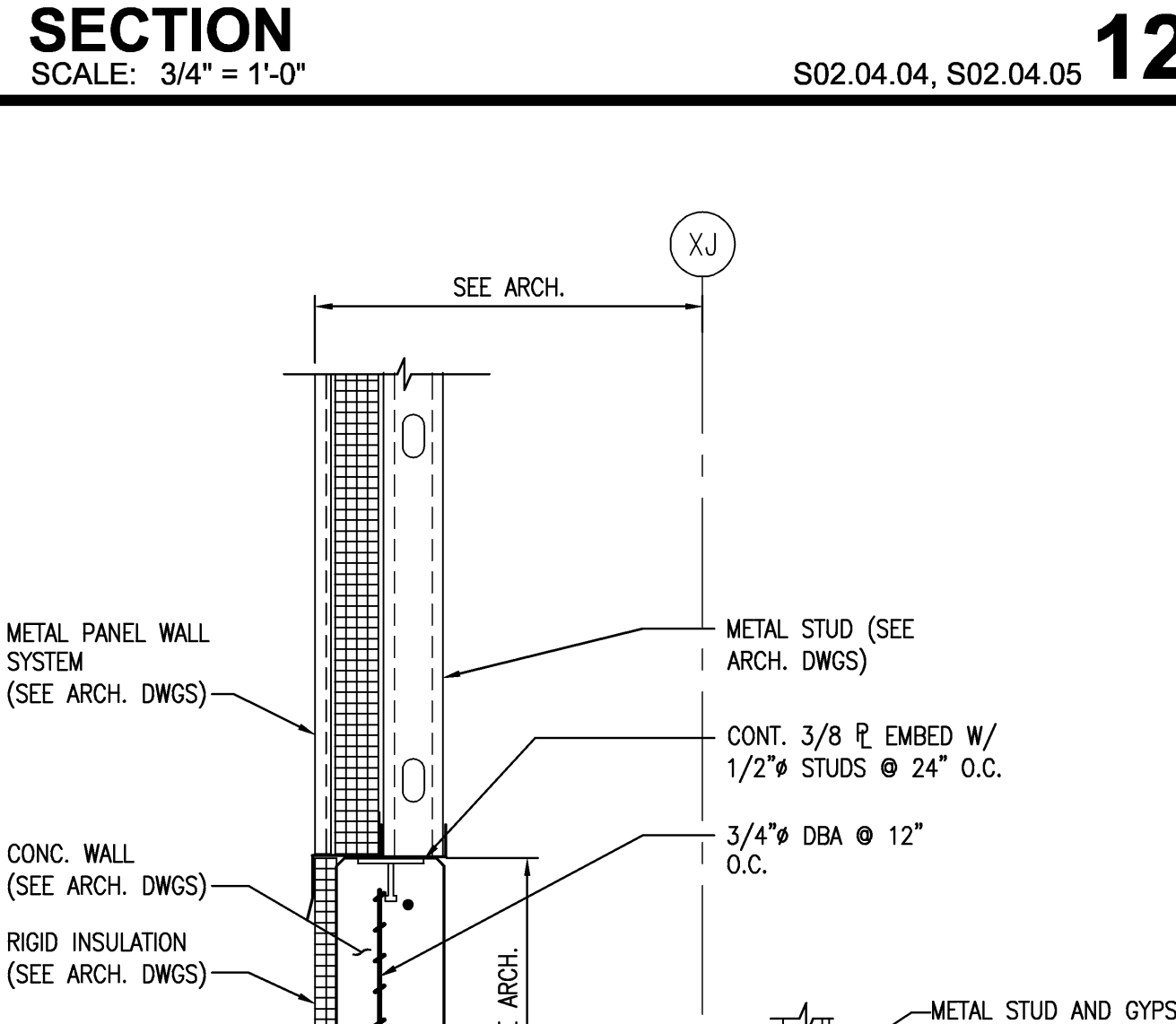
**SECTION**  
SCALE: 3/4" = 1'-0" S02.04.05, S02.04.06 **8**



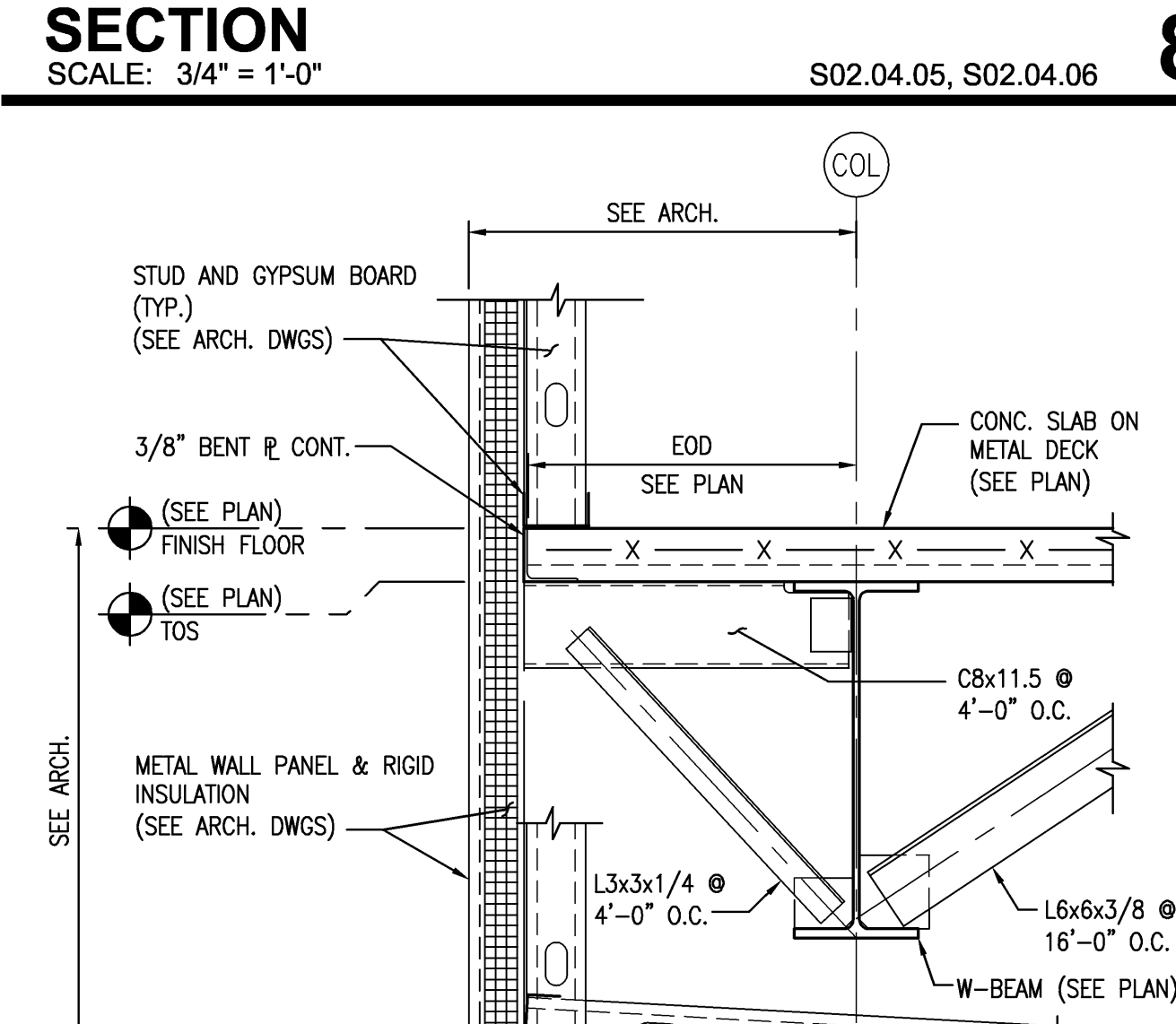
**SECTION**  
SCALE: 3/4" = 1'-0" S02.04.05, S02.04.06 **9**



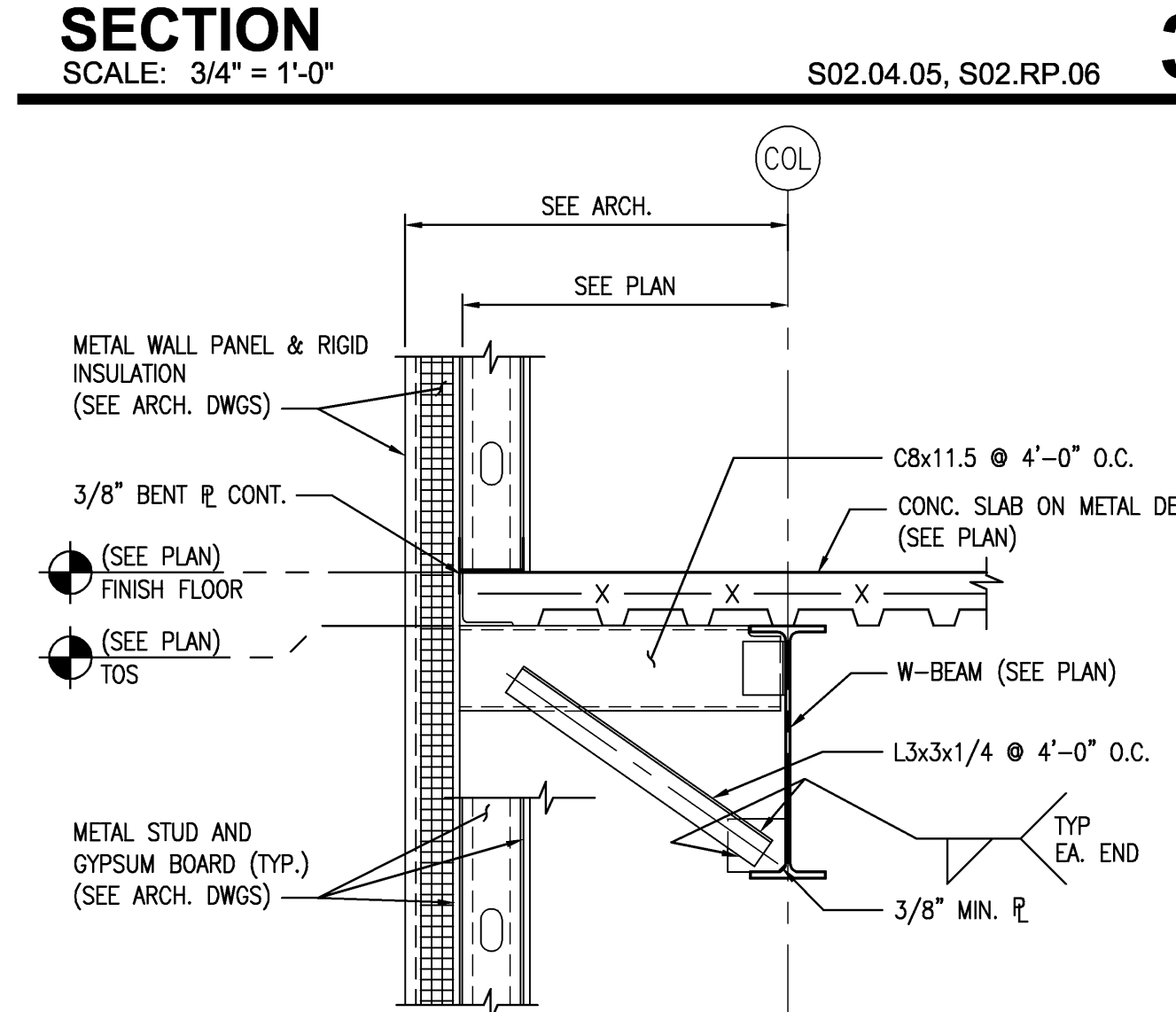
**SECTION**  
SCALE: 3/4" = 1'-0" S02.04.04 **17**



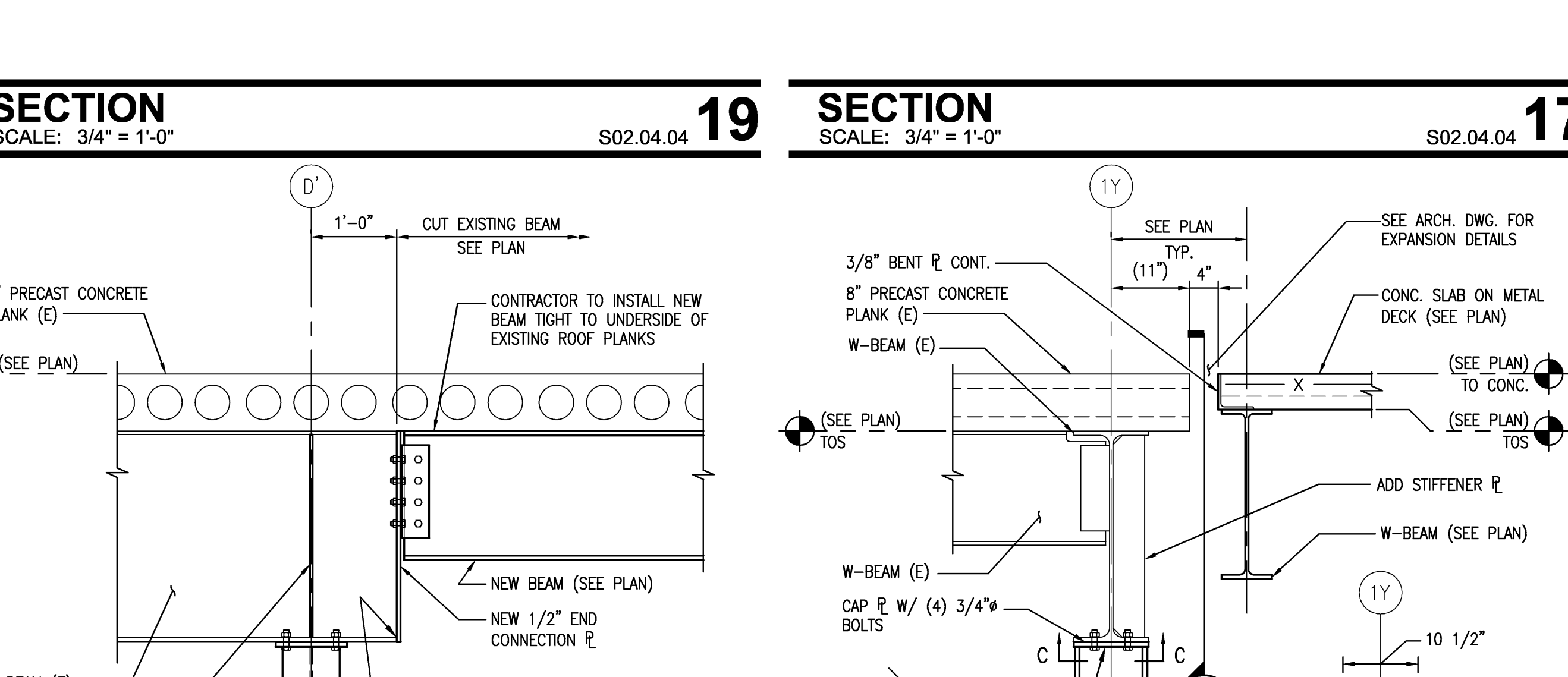
**SECTION**  
SCALE: 3/4" = 1'-0" S02.04.06 **9**



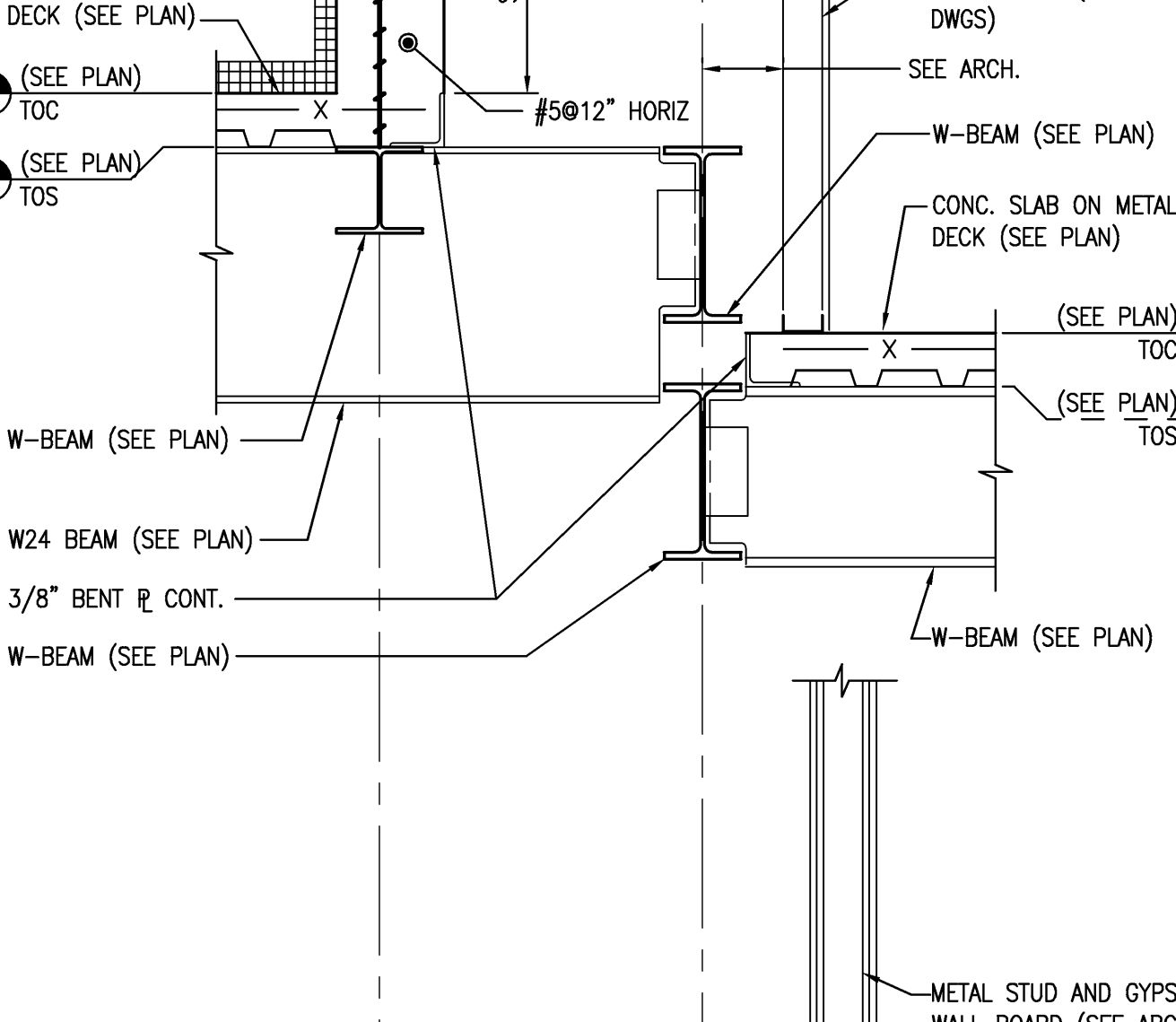
**SECTION**  
SCALE: 3/4" = 1'-0" S02.04.05 **4**



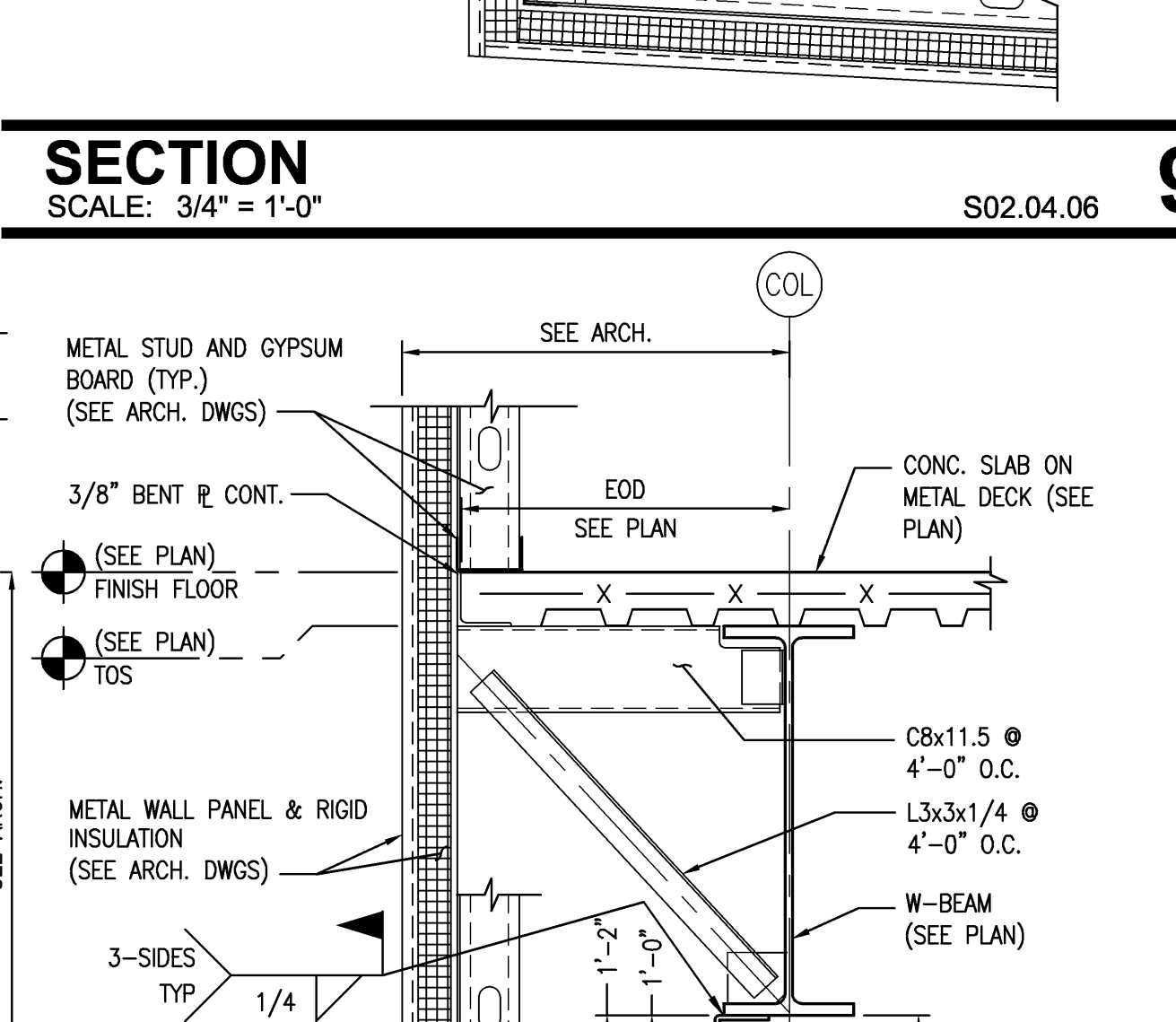
**SECTION**  
SCALE: 3/4" = 1'-0" S02.04.04 **19**



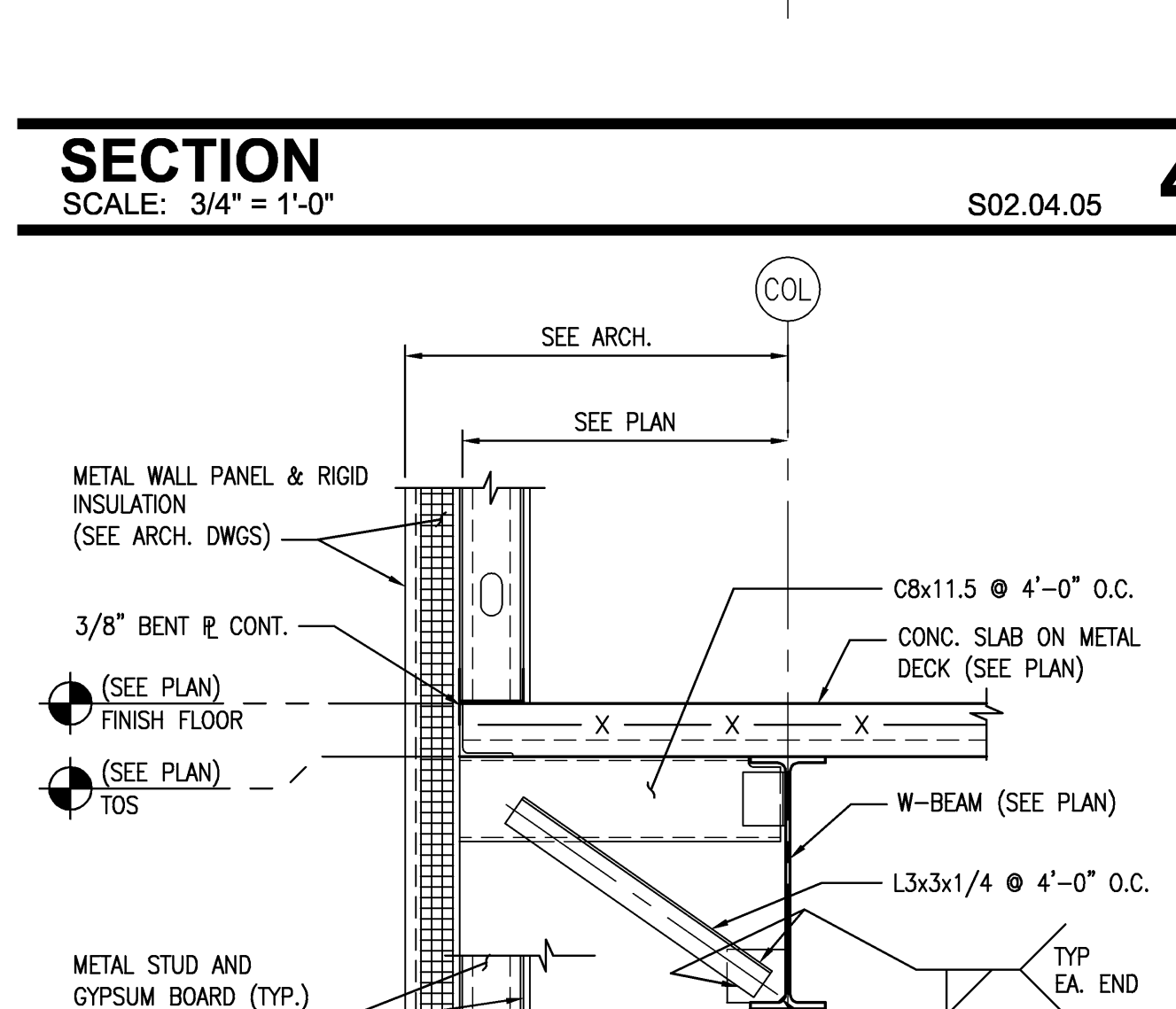
**SECTION**  
SCALE: 3/4" = 1'-0" S02.04.04 **17**



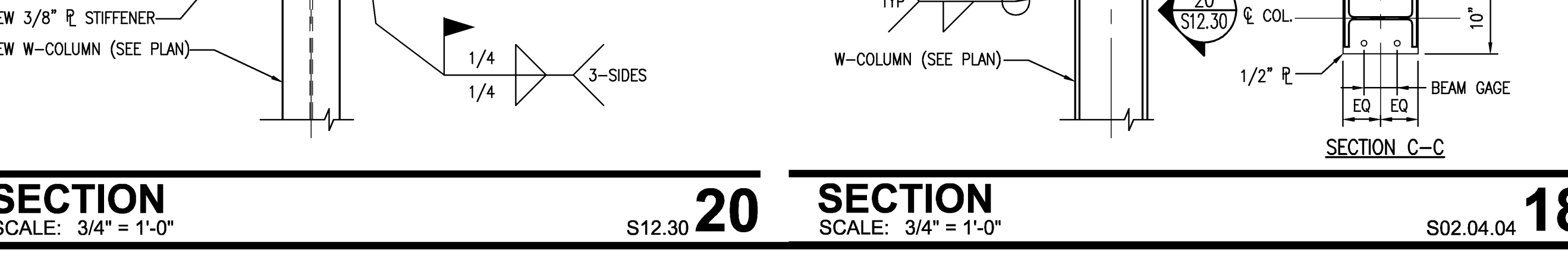
**SECTION**  
SCALE: 3/4" = 1'-0" S02.04.06 **9**



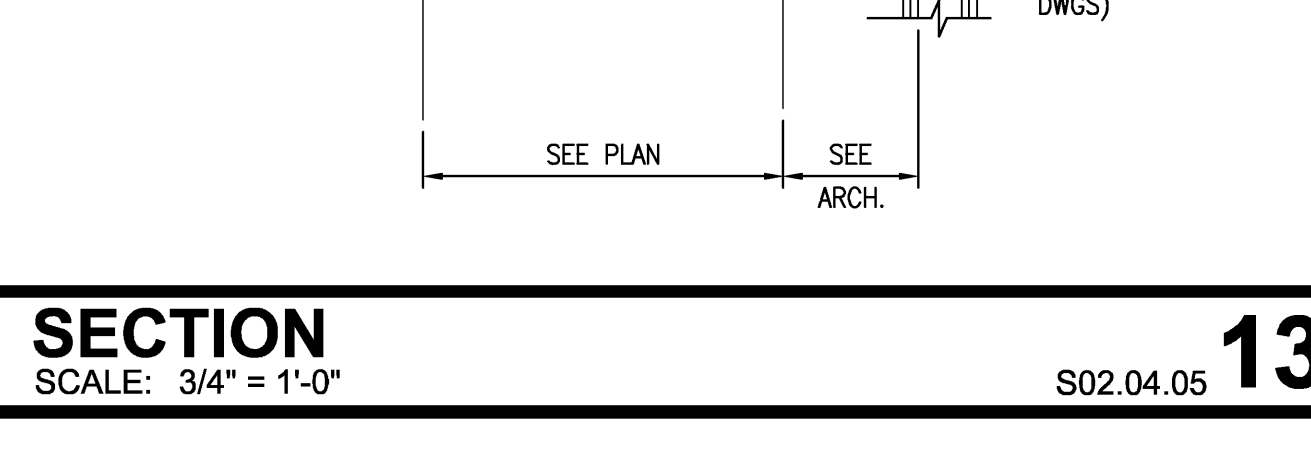
**SECTION**  
SCALE: 3/4" = 1'-0" S02.04.05 **4**



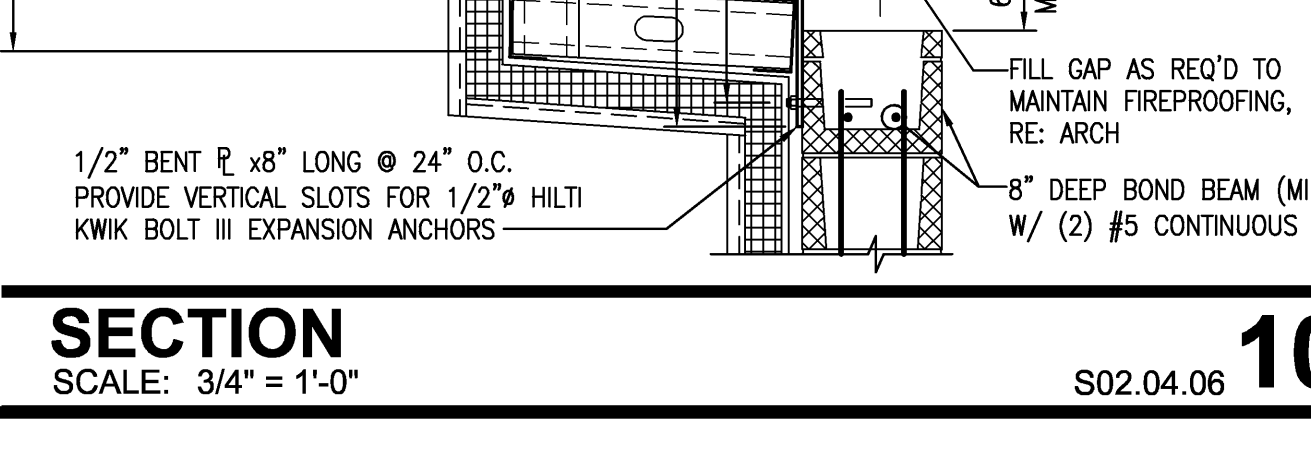
**SECTION**  
SCALE: 3/4" = 1'-0" S02.04.04 **19**



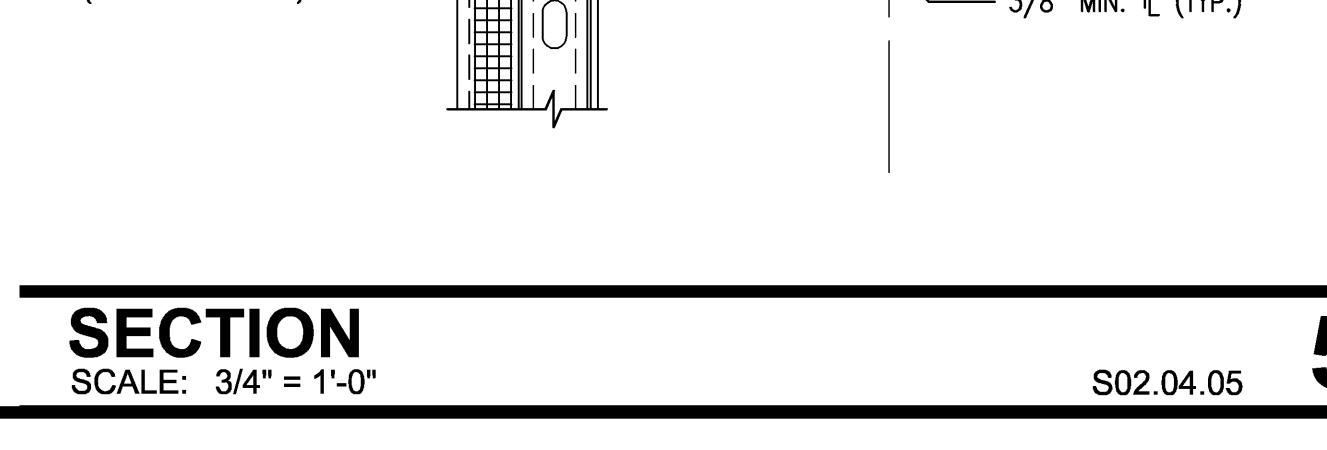
**SECTION**  
SCALE: 3/4" = 1'-0" S12.30 **20**



**SECTION**  
SCALE: 3/4" = 1'-0" S02.04.04 **18**



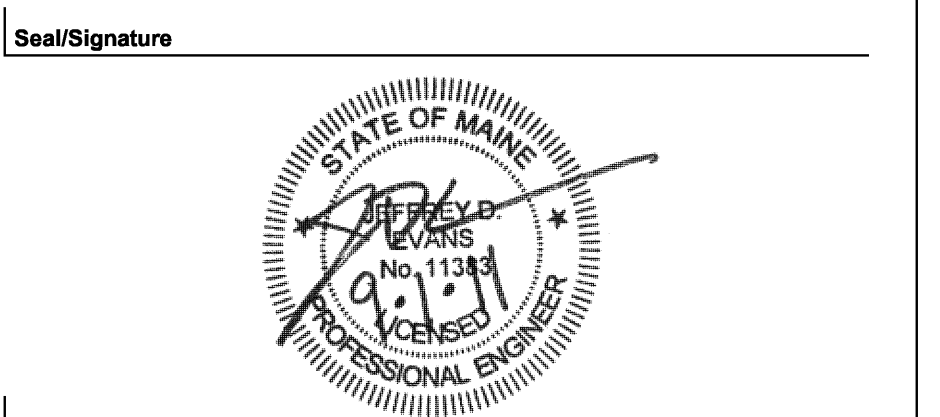
**SECTION**  
SCALE: 3/4" = 1'-0" S02.04.05 **13**



**SECTION**  
SCALE: 3/4" = 1'-0" S02.04.06 **10**

THESE DRAWINGS ARE ISSUED FOR CONSTRUCTION AND REFLECT ALL AMEC ISSUED BULLETINS AND SKETCHES.

Issue	Date & Issue Description	By	Check
01	09/22/08 DESIGN DEVELOPMENT	JDE	---
02	12/03/08 75% CONSTRUCTION DOCUMENTS	JDE	---
03	01/23/09 95% CONSTRUCTION DOCUMENTS	JDE	---
04	10/26/09 ISSUED FOR PERMIT	JDE	---
05	01/12/10 BULLETIN #1	JDE	---
06	02/03/10 BULLETIN #5	JDE	---
07	05/03/10 BULLETIN #10	JDE	---
145	09/01/11 ISSUED FOR CONSTRUCTION	JDE	---



Project Name  
PJM Terminal Enhancement

Project Number  
08.6395.000

CAD File Name  
T:\5330101\SHEETS\S12.30.DWG

Description  
FRAMING SECTIONS & DETAILS - LEVEL 4

Scale  
AS NOTED

**S12.30**