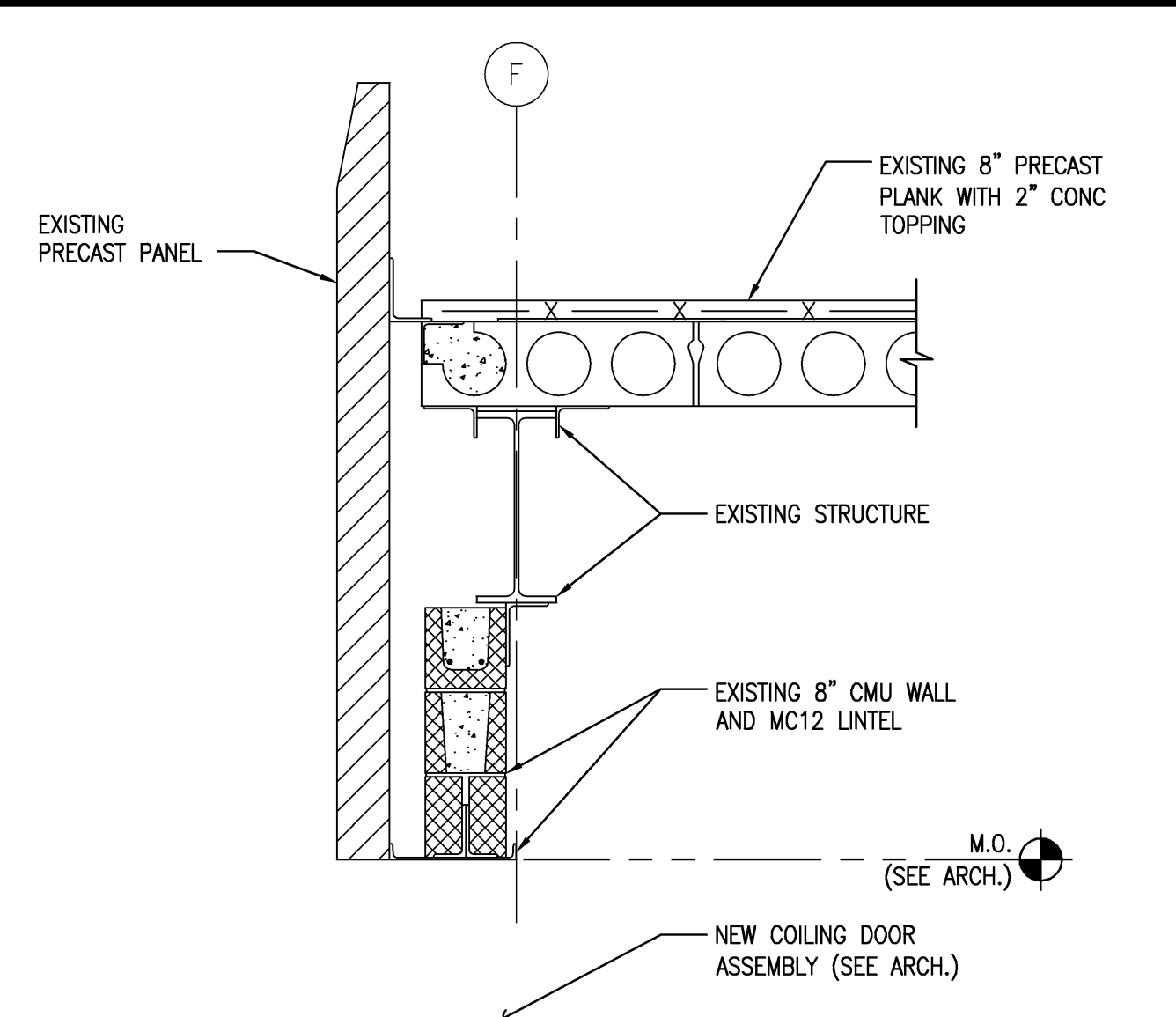
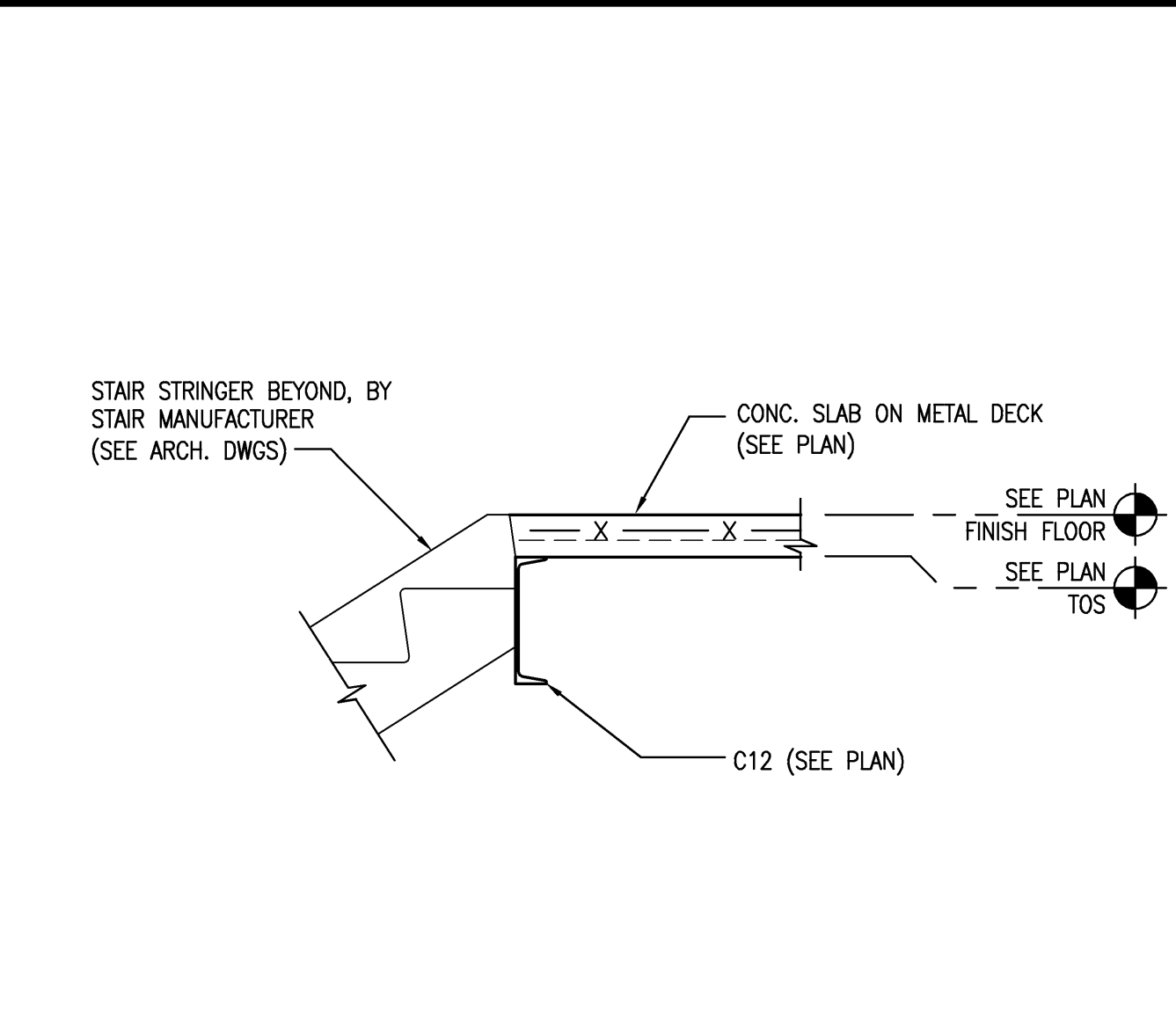


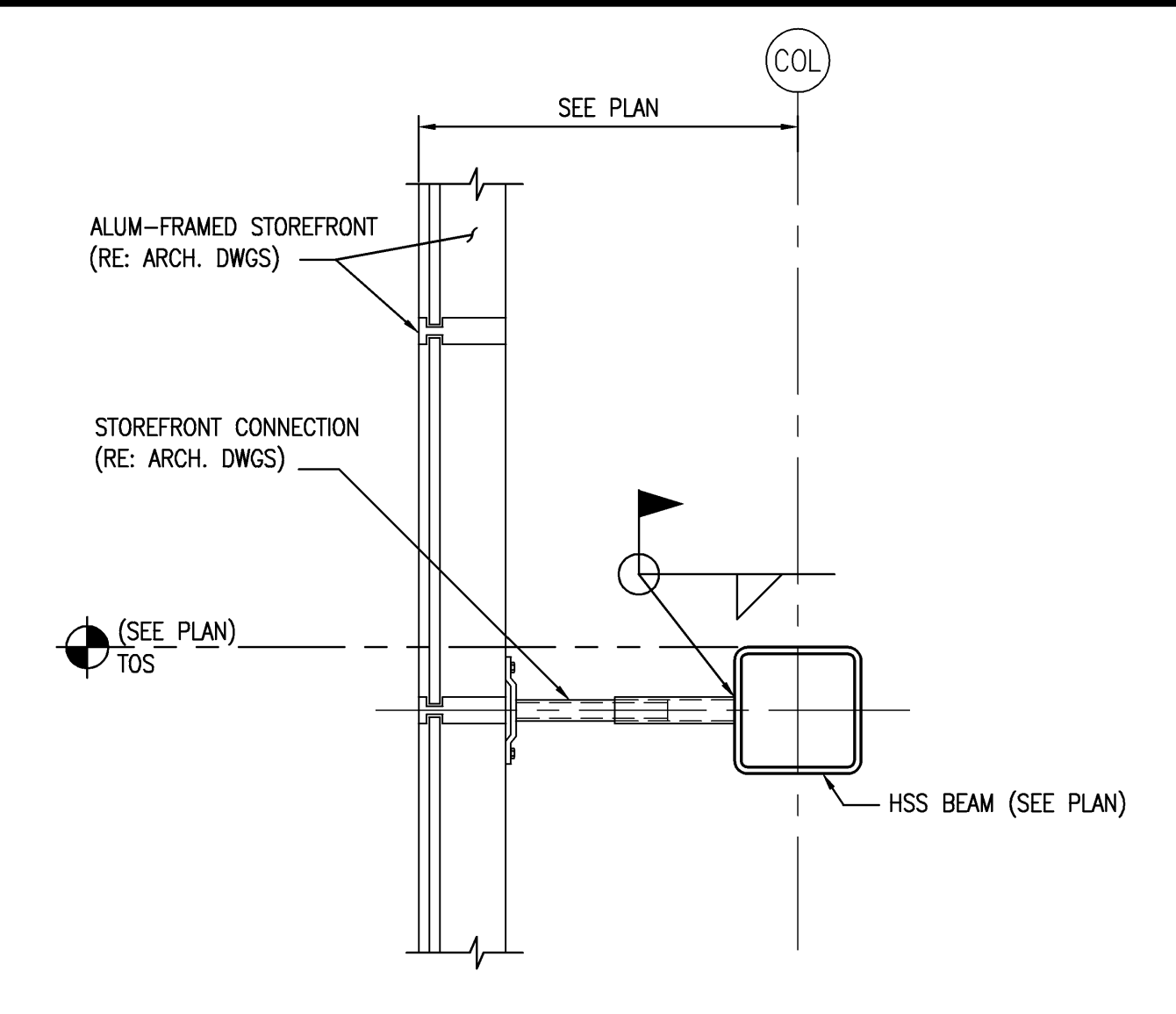
DETAIL
SCALE: 3/4" = 1'-0"
S08.01 **21**



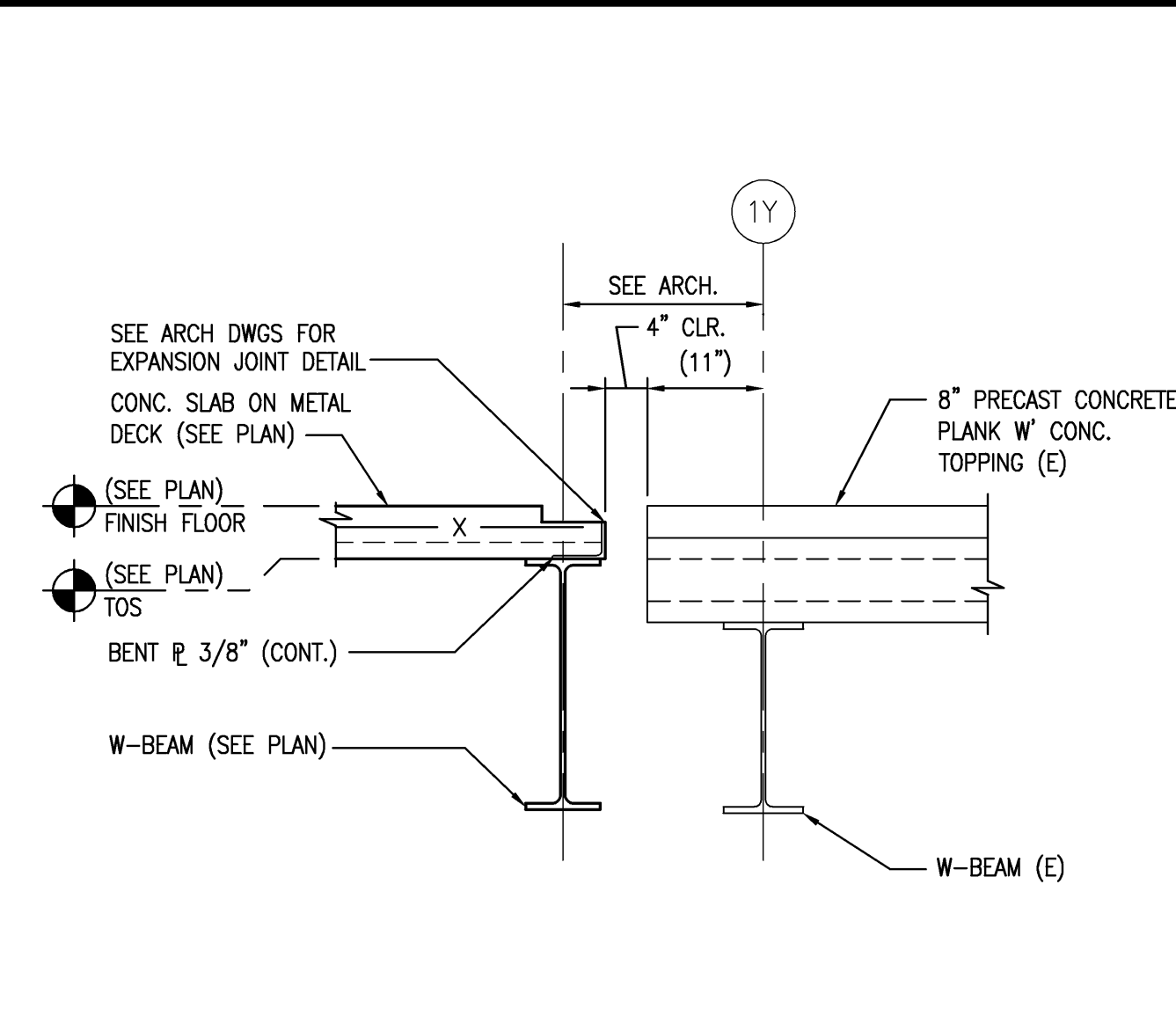
SECTION
SCALE: 3/4" = 1'-0"
S02.03.03 **16**



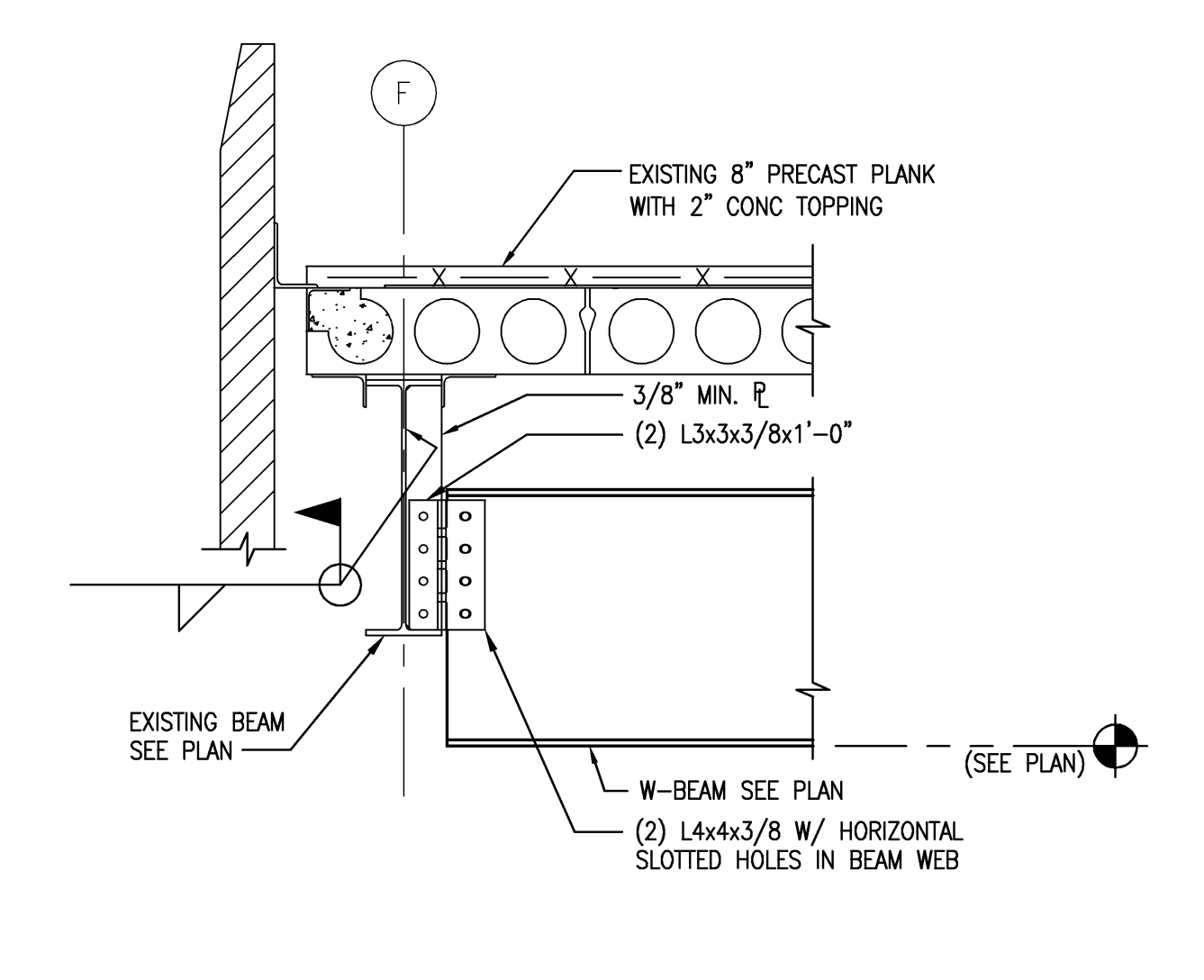
SECTION
SCALE: 3/4" = 1'-0"
S08.01 **11**



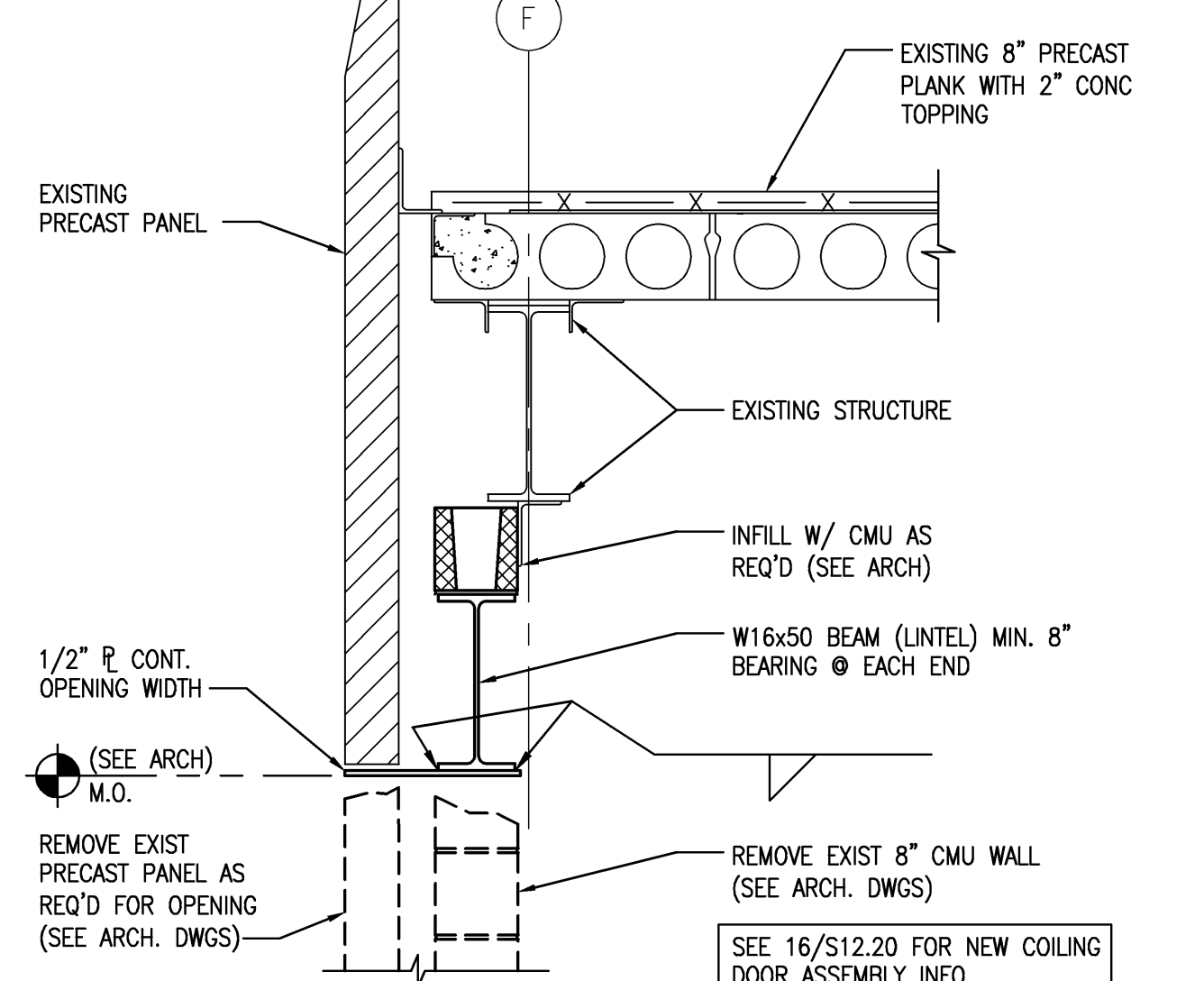
SECTION
SCALE: 3/4" = 1'-0"
S02.03.05, S02.03.07 **6**



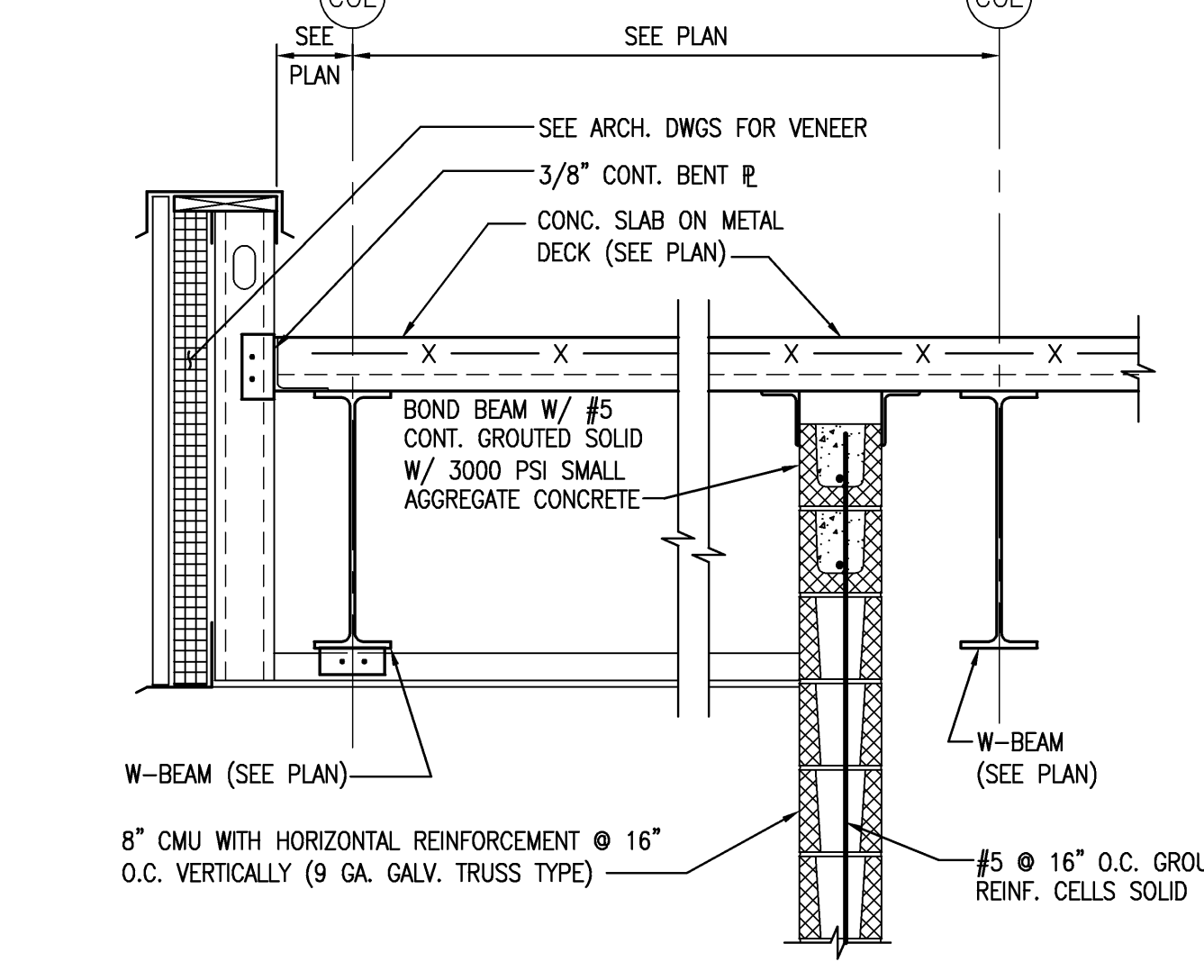
SECTION
SCALE: 3/4" = 1'-0"
S02.03.04 **1**



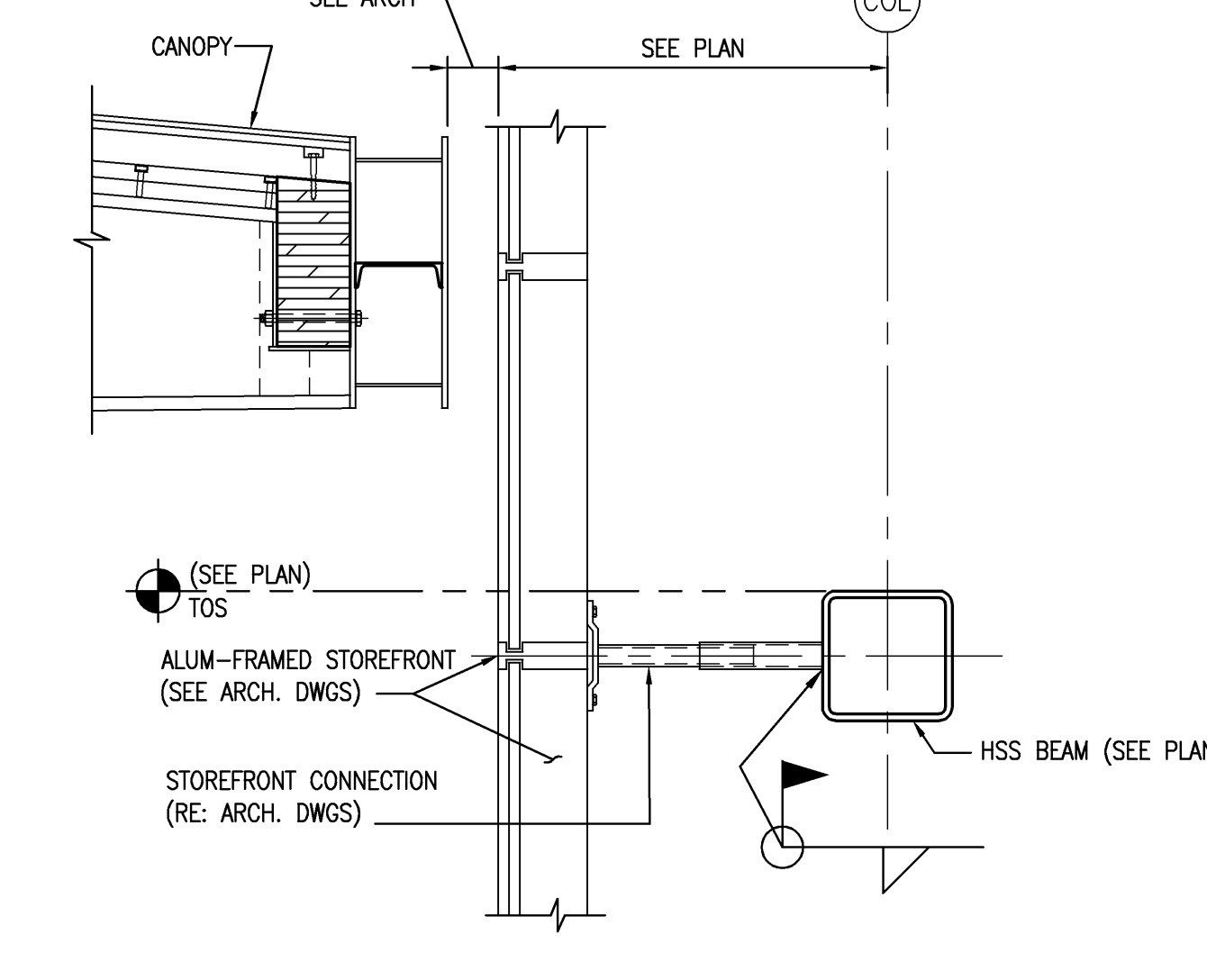
SECTION
SCALE: 3/4" = 1'-0"
S02.03.03, S02.03.04 **22**



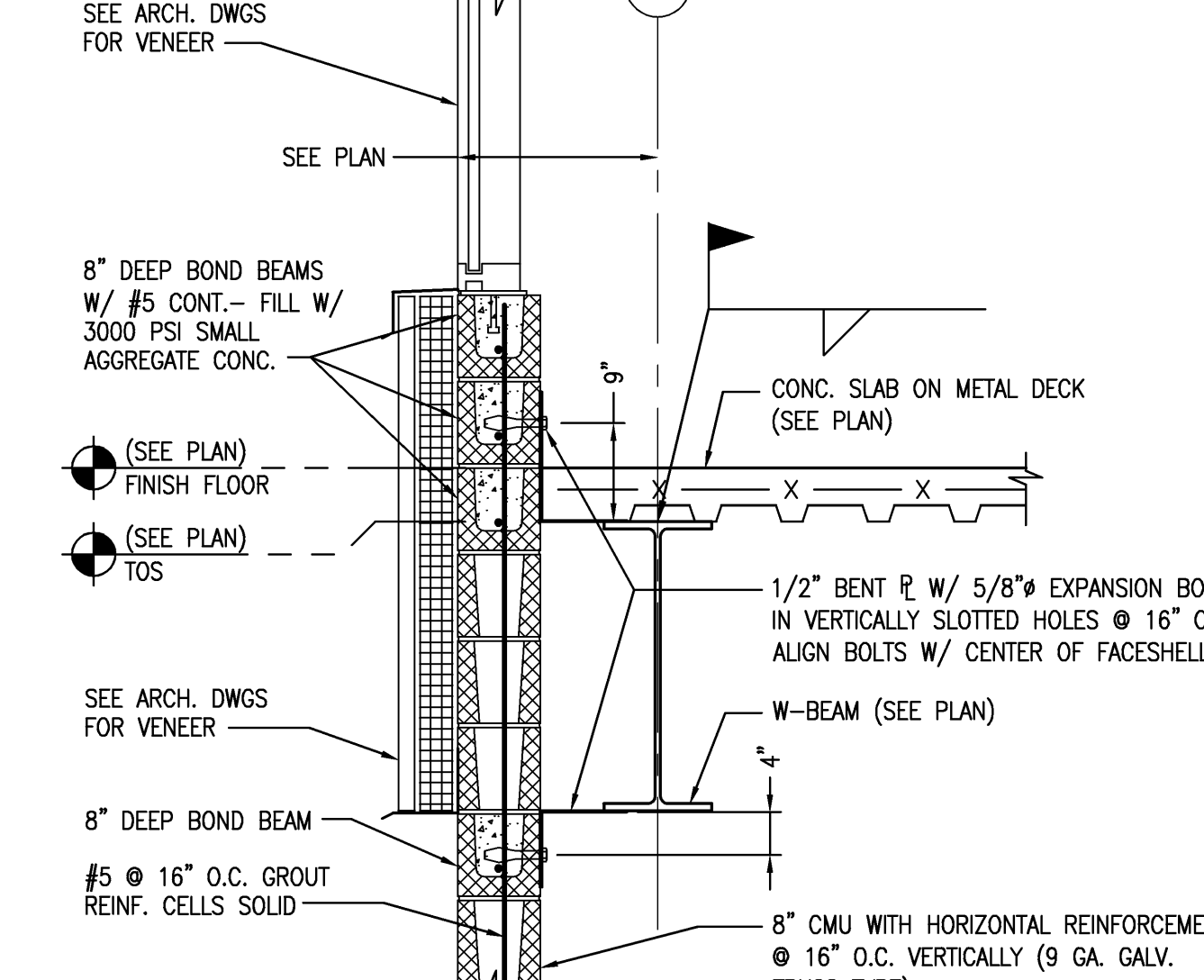
SECTION
SCALE: 3/4" = 1'-0"
S02.03.03 **17**



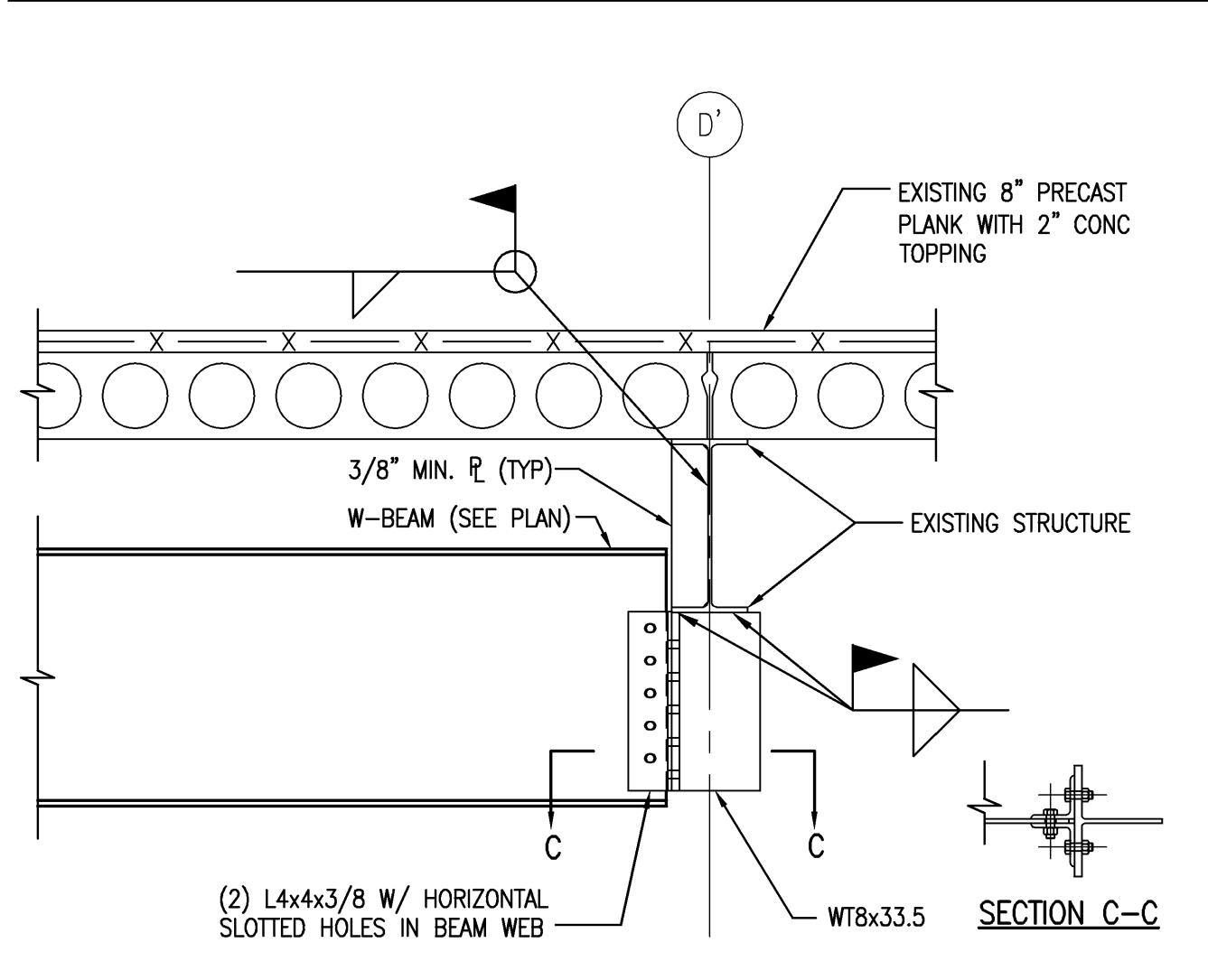
SECTION
SCALE: 3/4" = 1'-0"
S02.03.05, S02.03.07 **12**



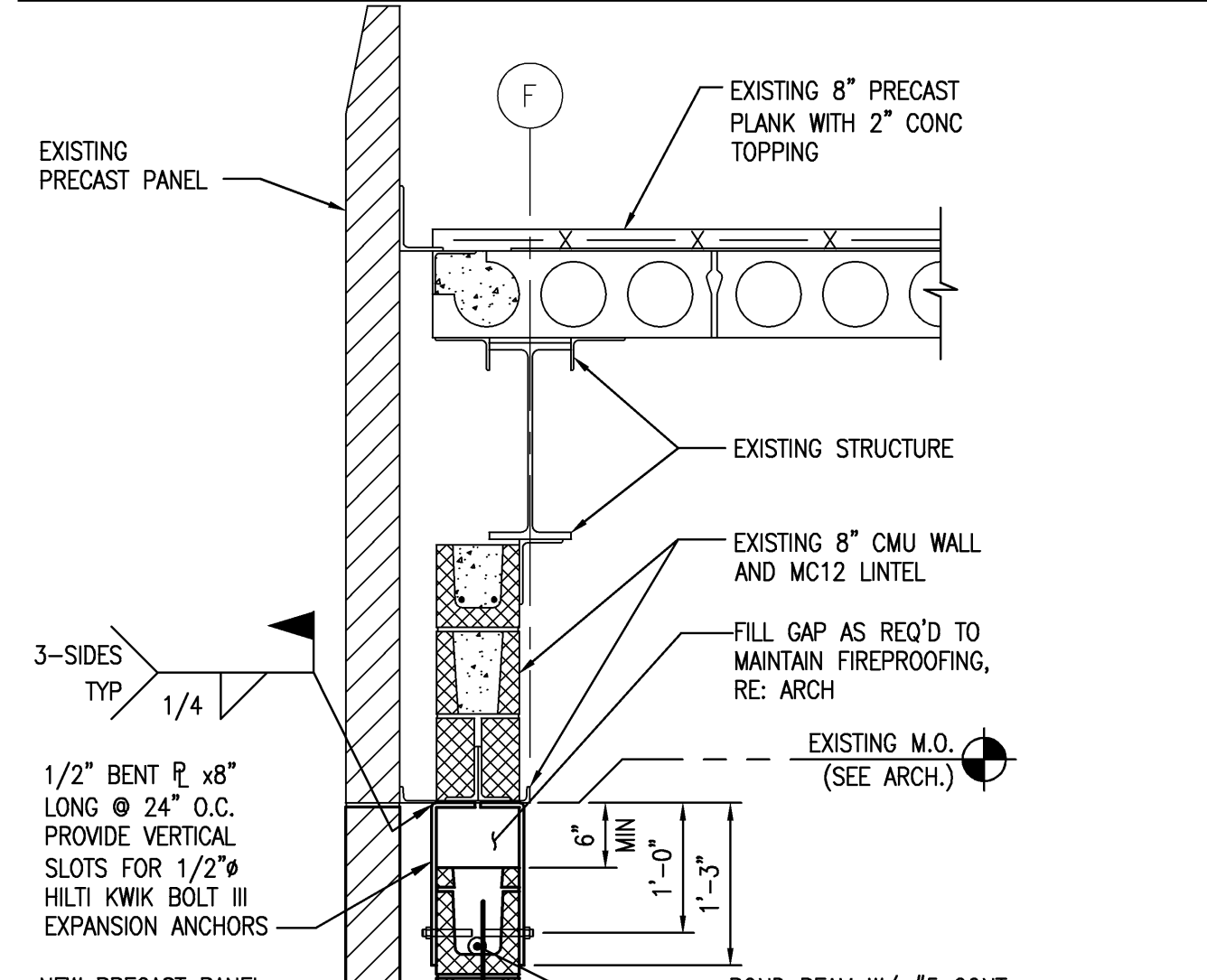
SECTION
SCALE: 3/4" = 1'-0"
S02.03.05 **7**



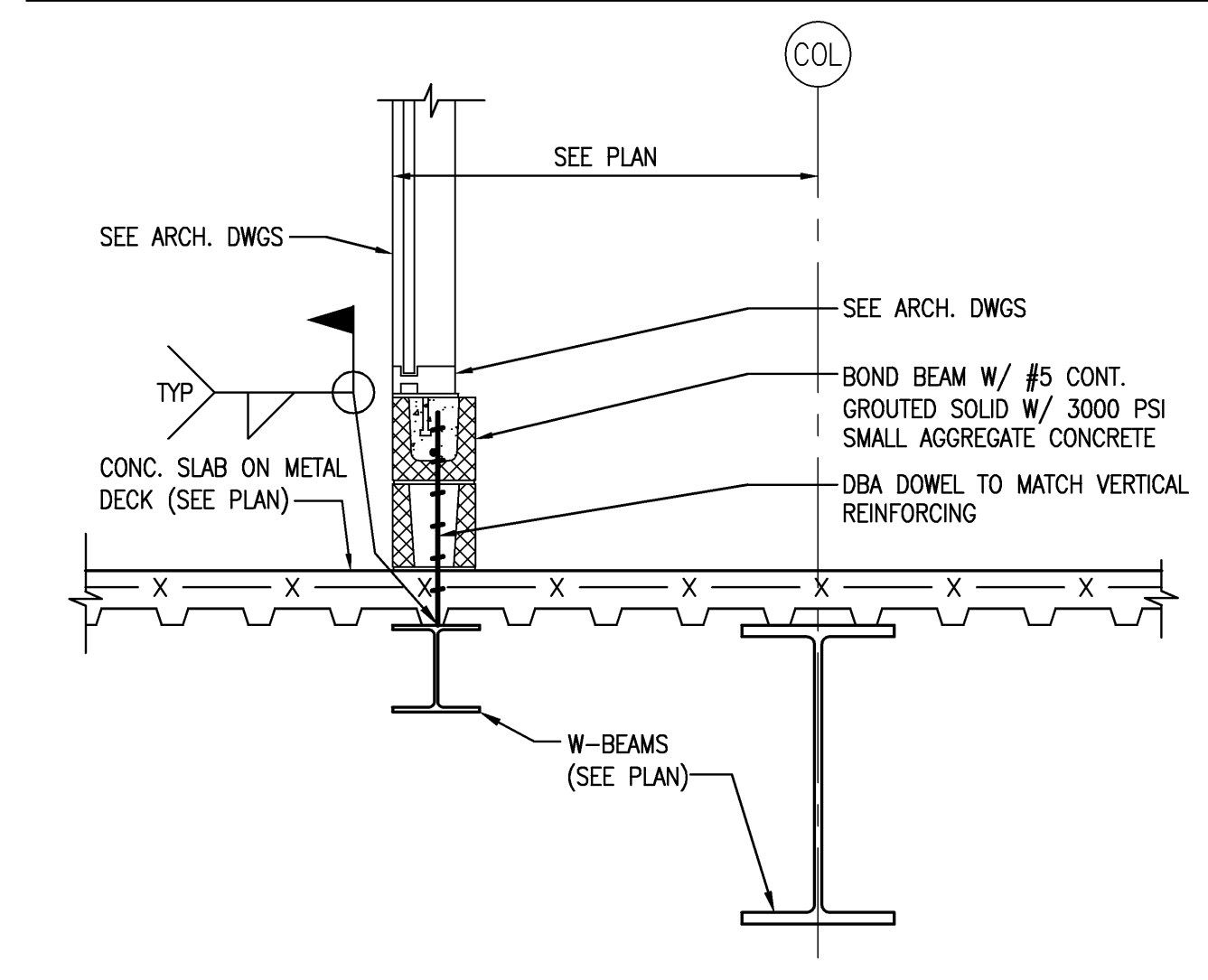
SECTION
SCALE: 3/4" = 1'-0"
S02.03.04, S02.03.05 **2**



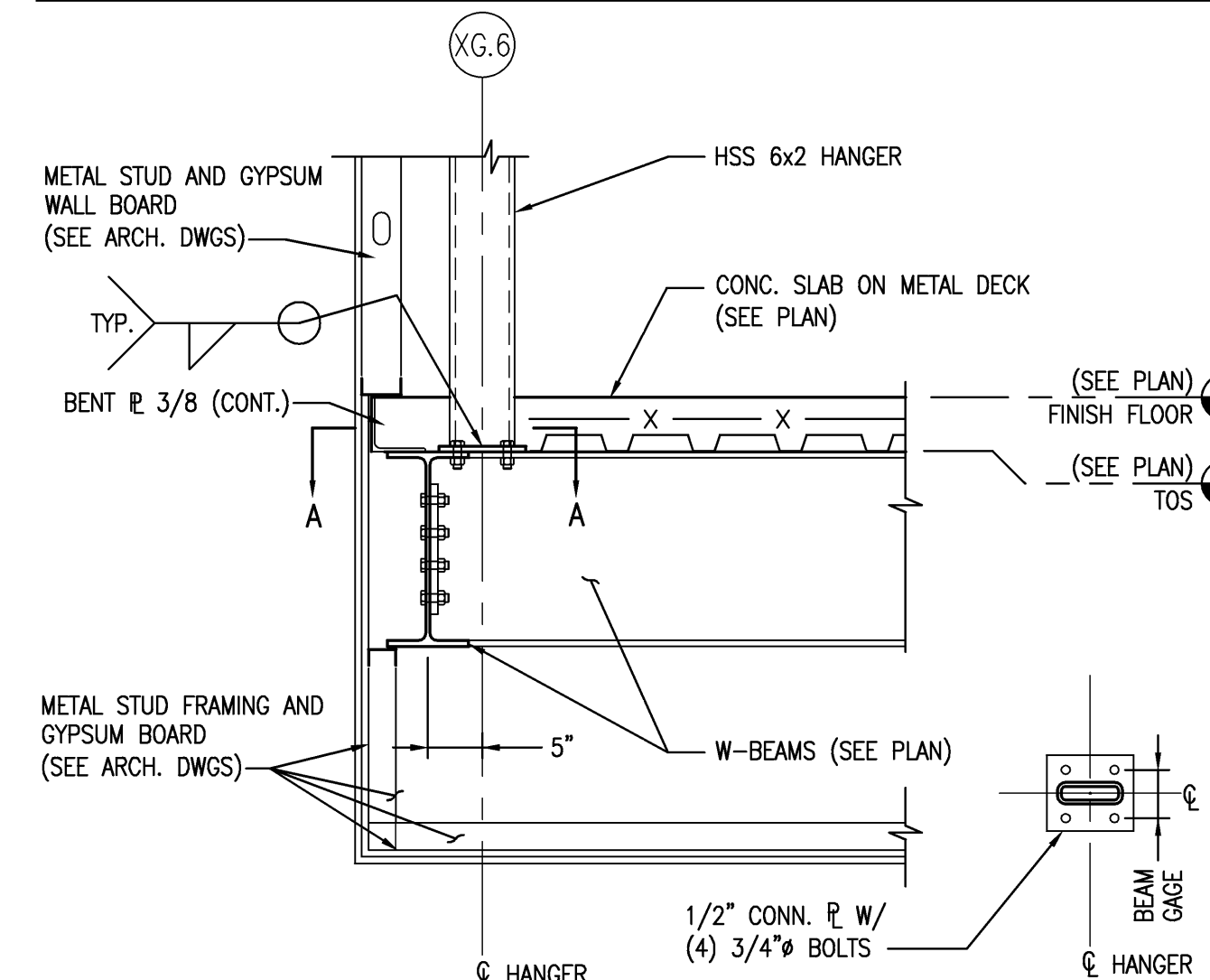
SECTION
SCALE: 3/4" = 1'-0"
S02.03.03, S02.03.04 **23**



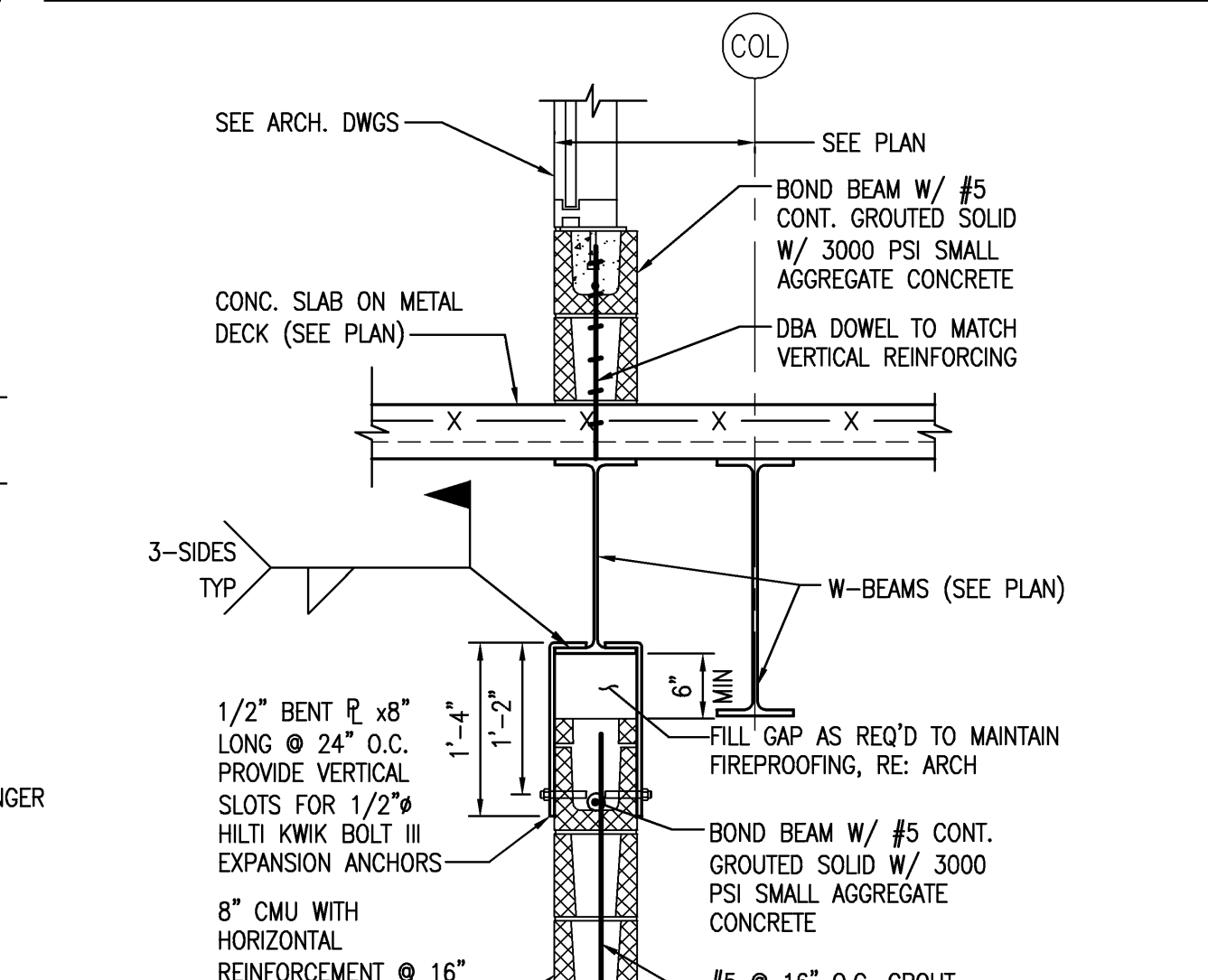
SECTION
SCALE: 3/4" = 1'-0"
S02.03.03 **18**



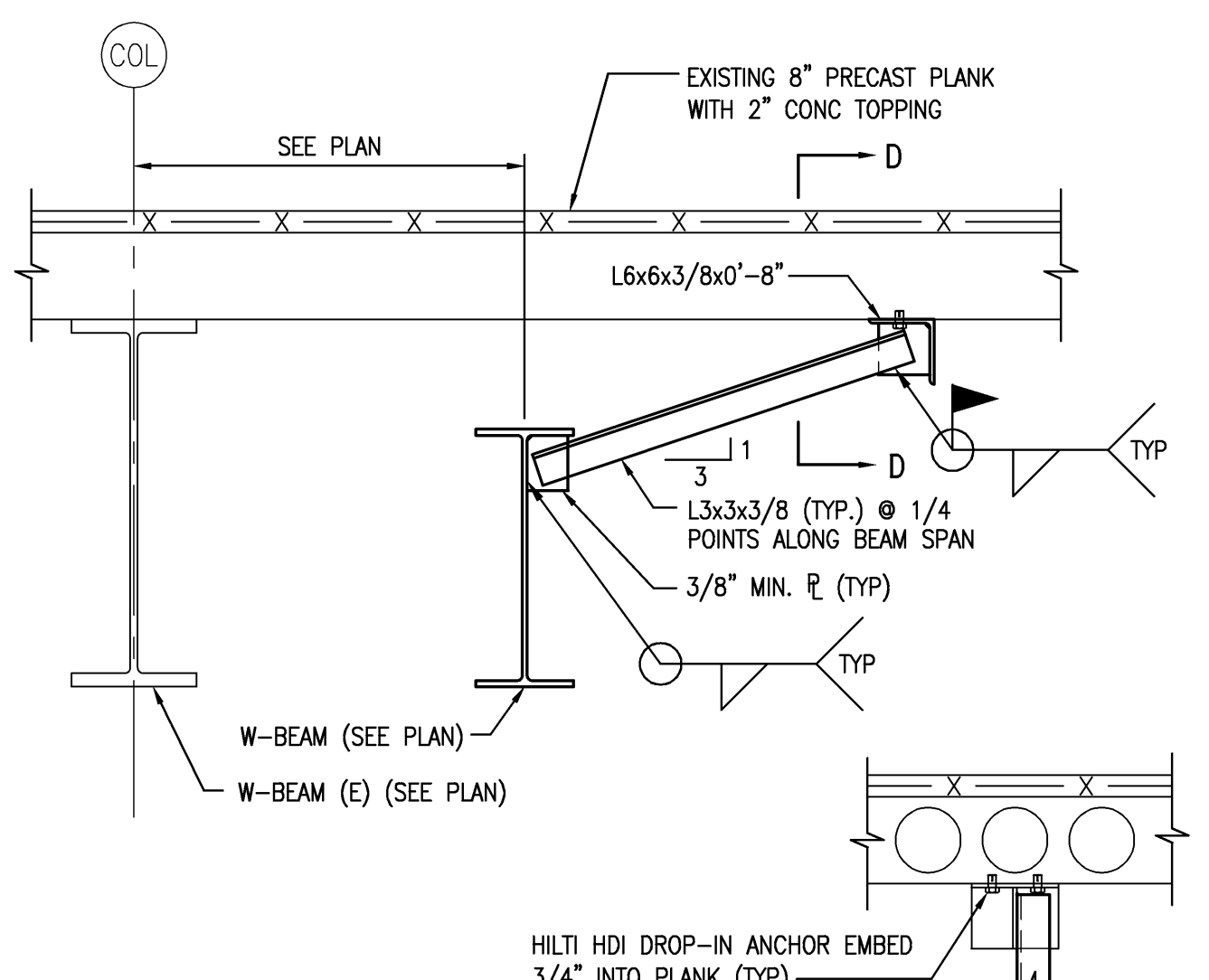
SECTION
SCALE: 3/4" = 1'-0"
S02.03.05 **13**



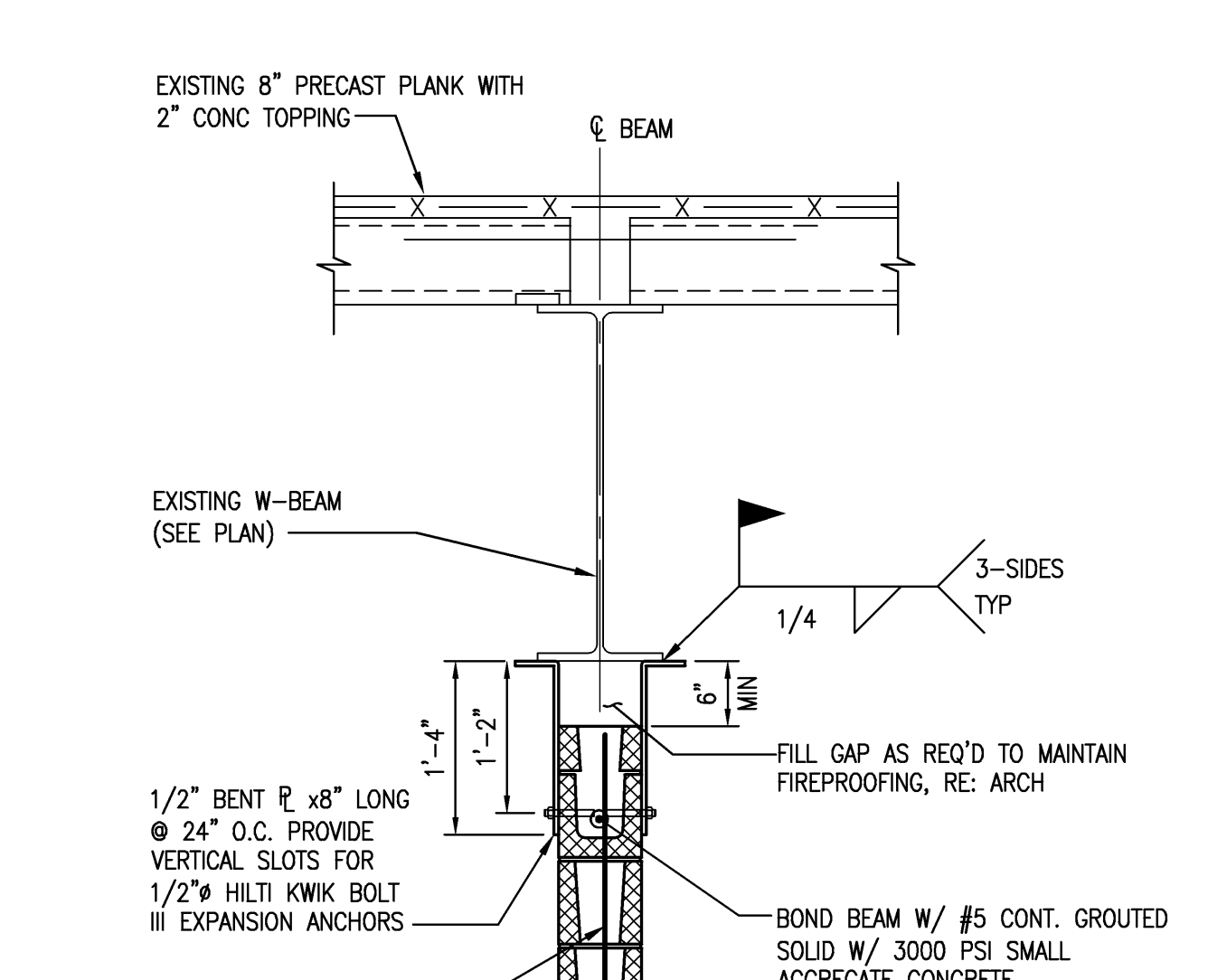
SECTION
SCALE: 3/4" = 1'-0"
S02.03.05 **8**



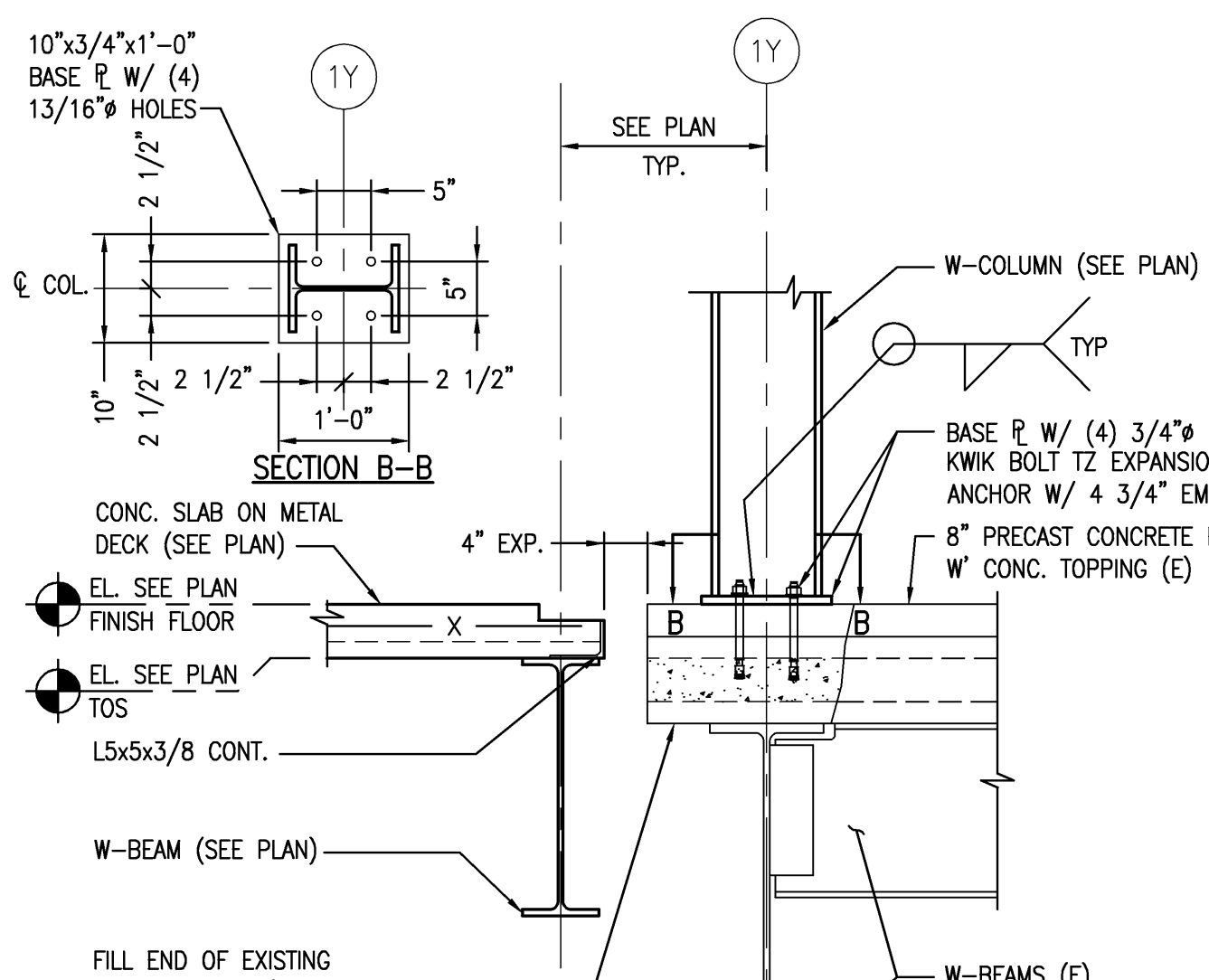
SECTION
SCALE: 3/4" = 1'-0"
S02.03.05 **3**



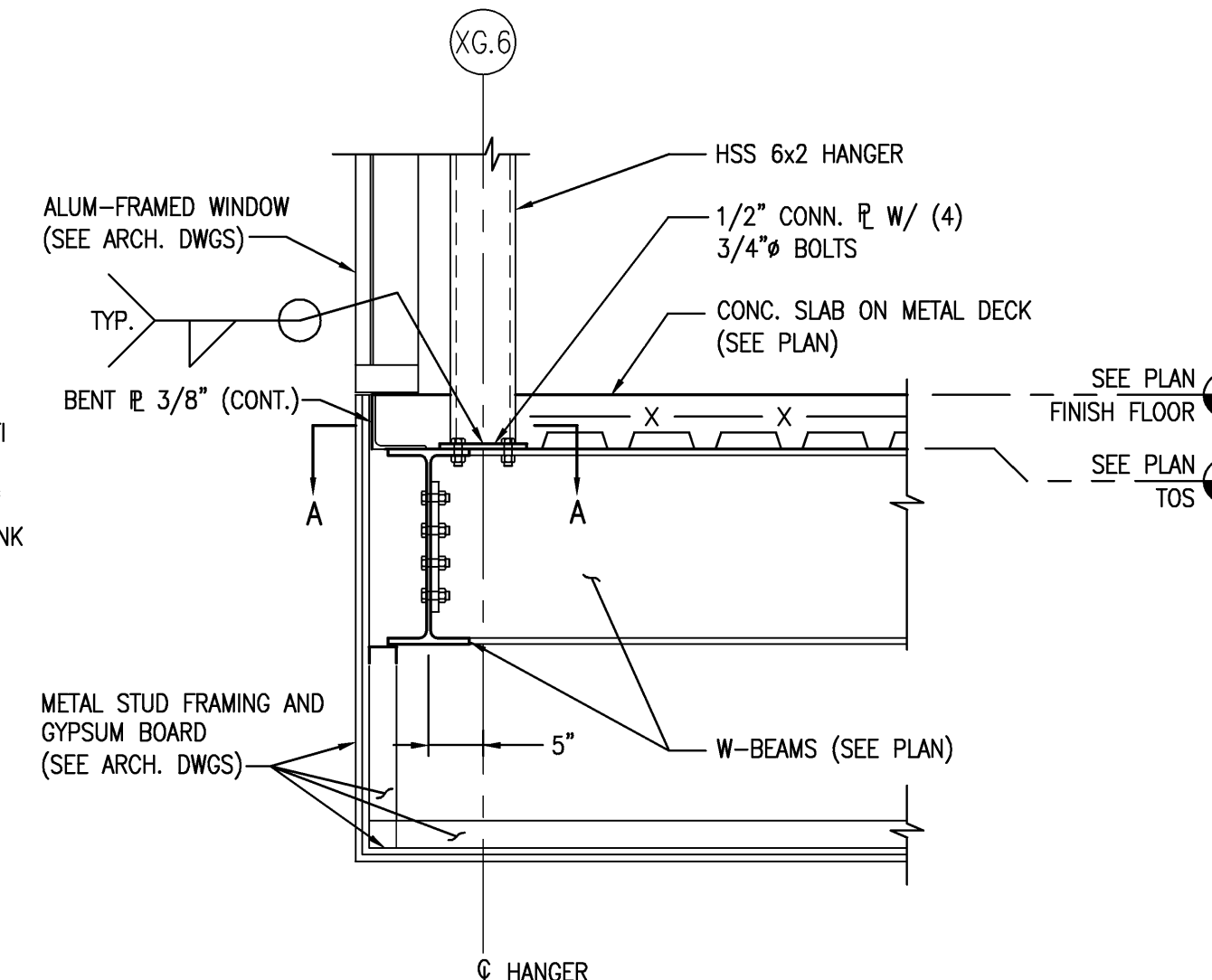
SECTION
SCALE: 3/4" = 1'-0"
S02.03.03, S02.03.04 **24**



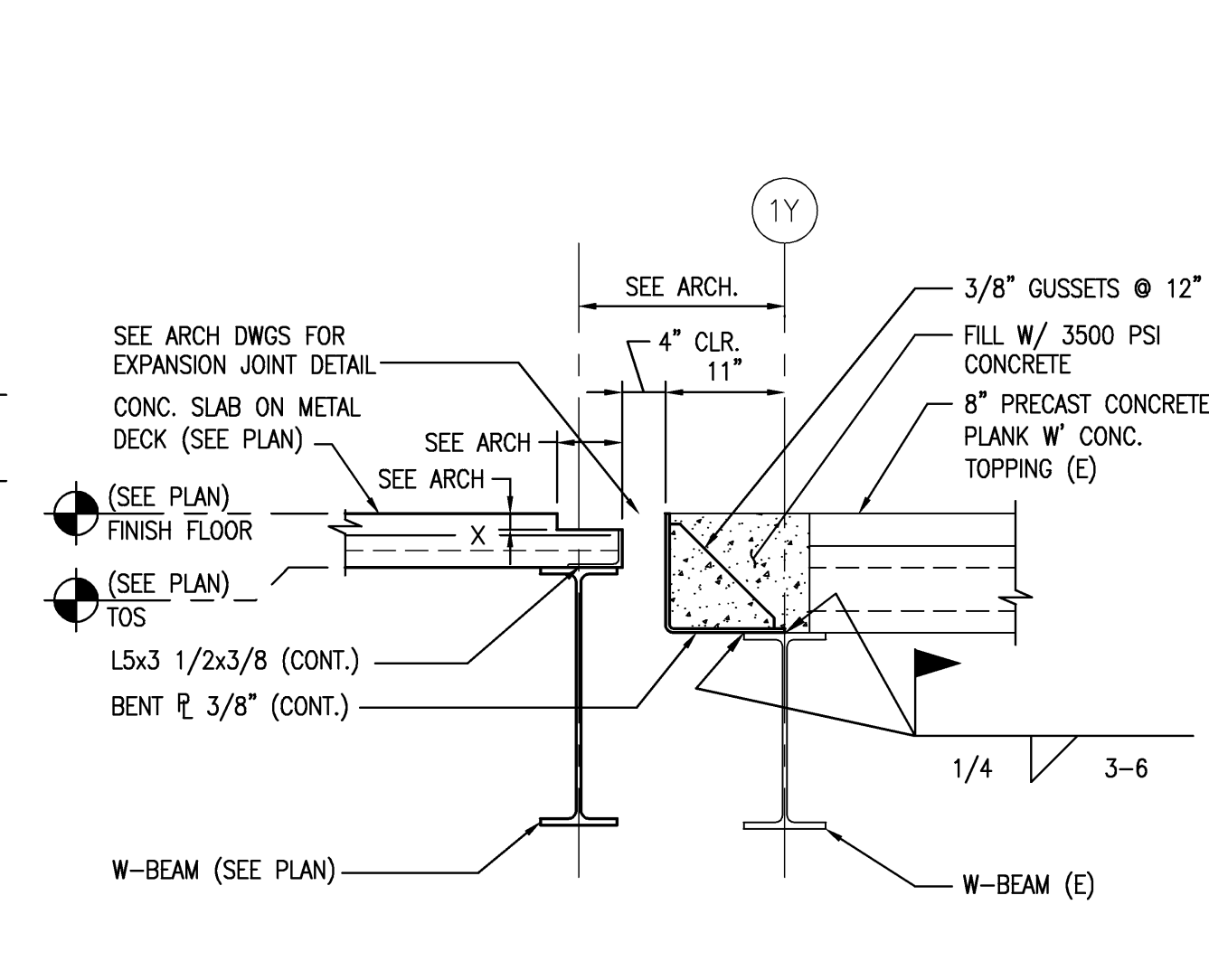
SECTION
SCALE: 3/4" = 1'-0"
S02.03.03 **19**



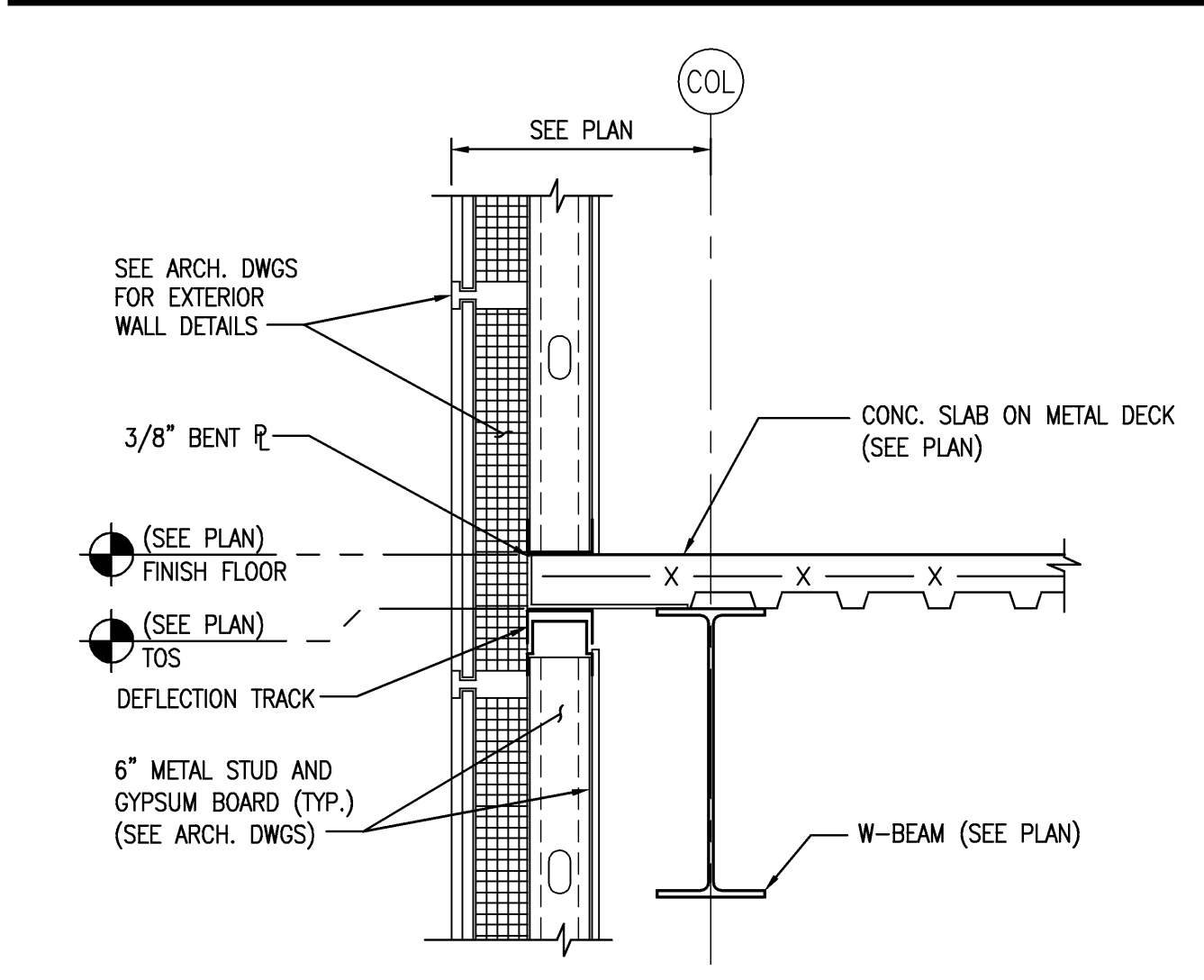
SECTION
SCALE: 3/4" = 1'-0"
S02.03.04 **14**



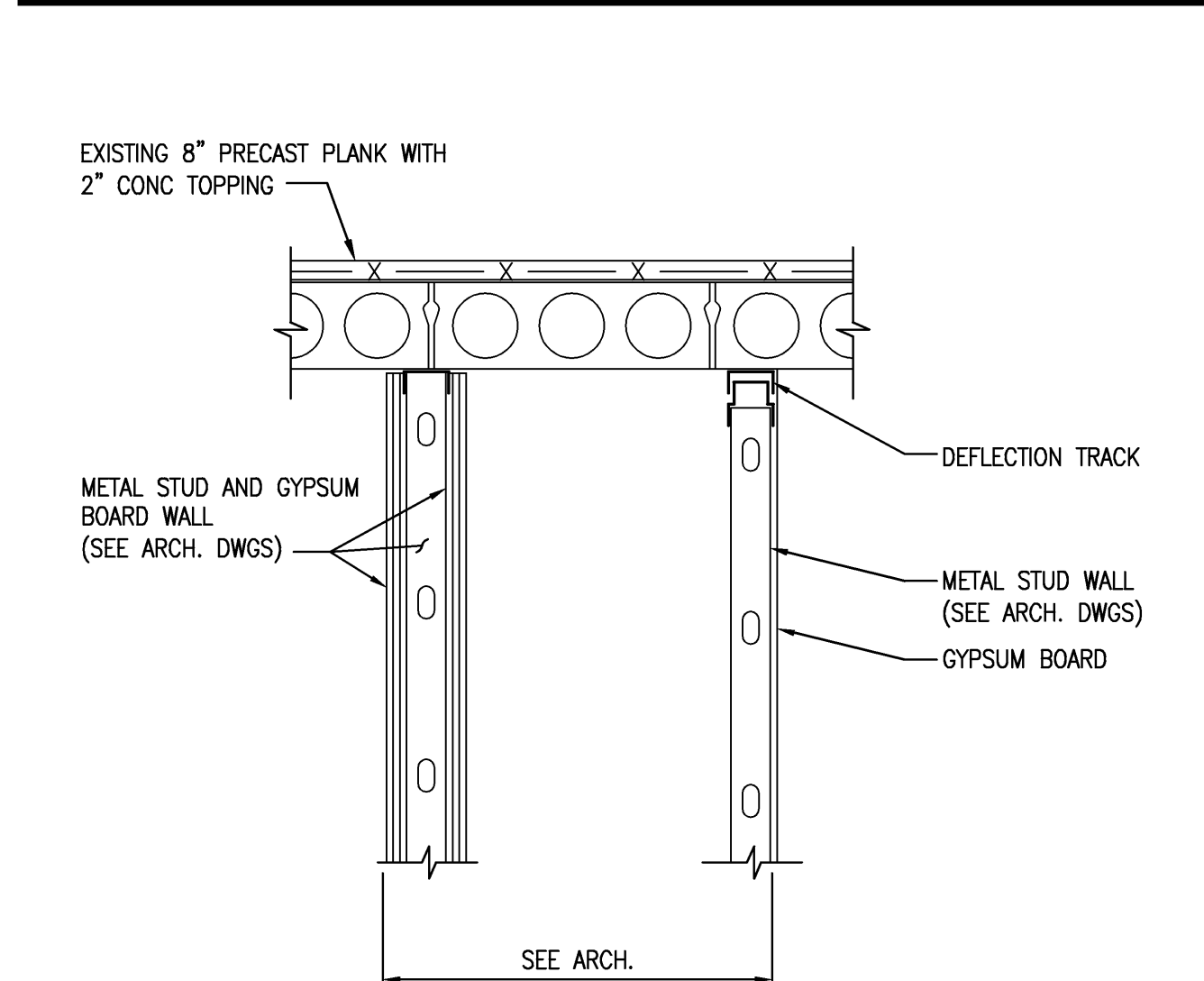
SECTION
SCALE: 3/4" = 1'-0"
S02.03.04, S02.03.05 **9**



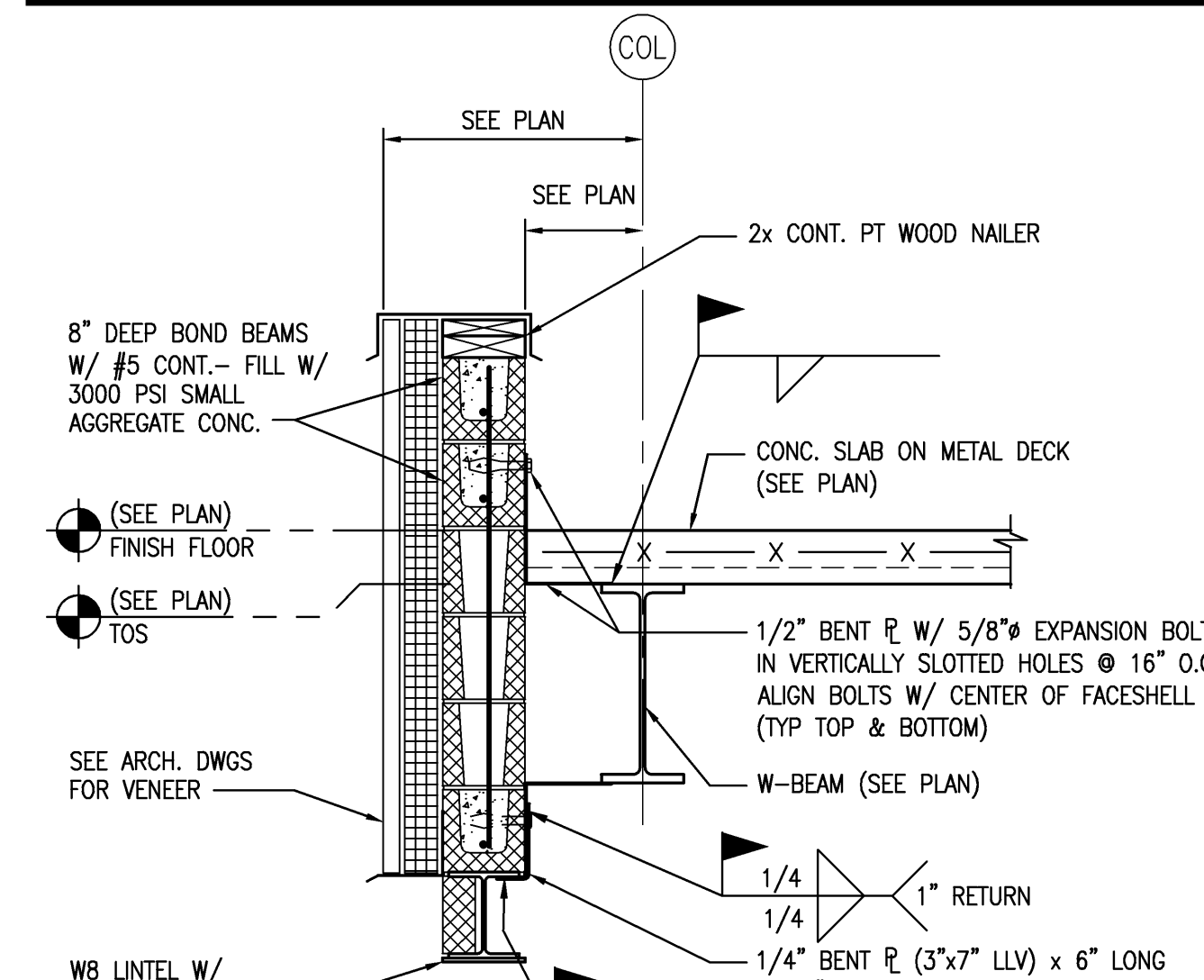
SECTION
SCALE: 3/4" = 1'-0"
S02.03.04 **4**



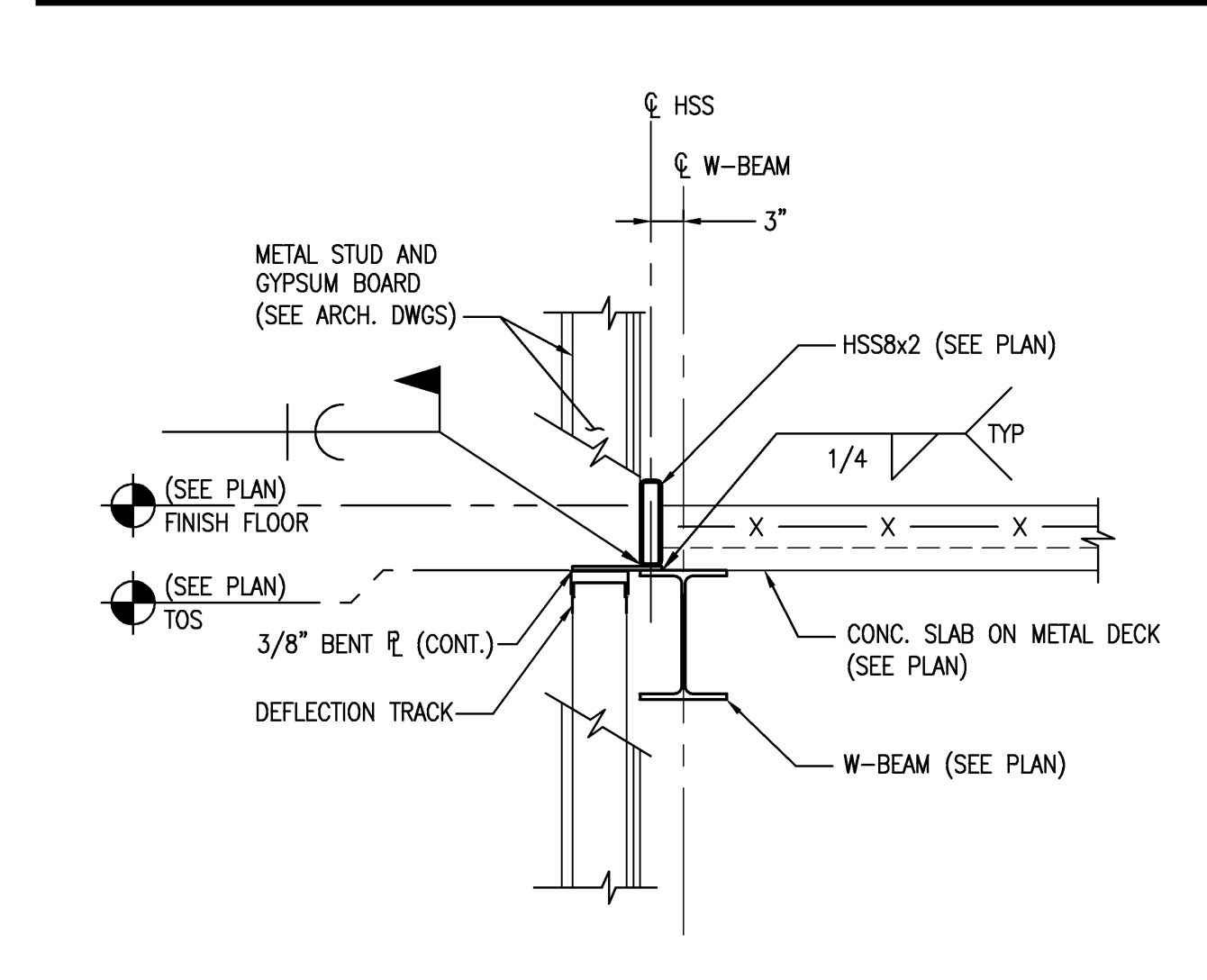
SECTION
SCALE: 3/4" = 1'-0"
S02.03.04 **25**



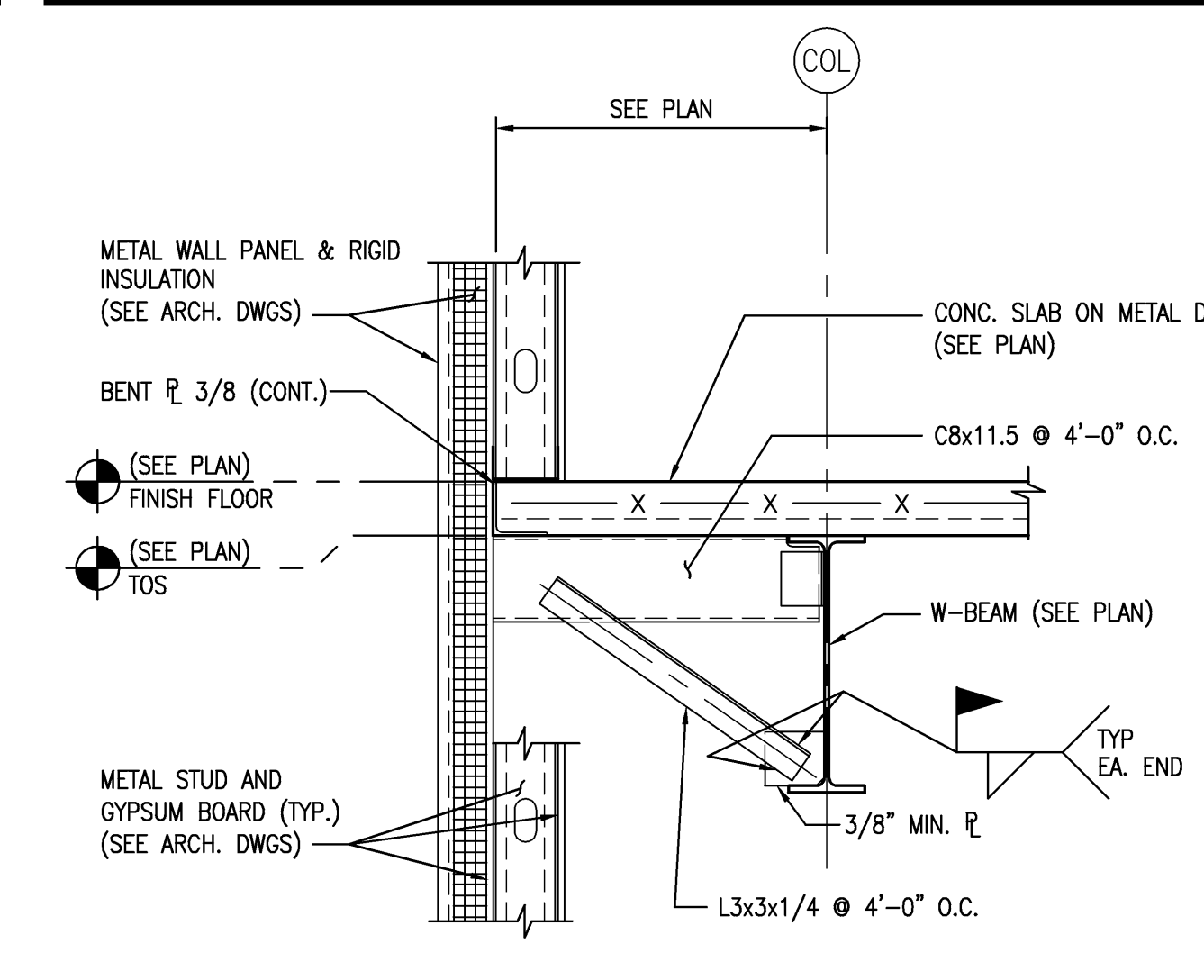
SECTION
SCALE: 3/4" = 1'-0"
S02.03.03, S02.03.04 **20**



SECTION
SCALE: 3/4" = 1'-0"
S02.03.05 **15**



SECTION
SCALE: 3/4" = 1'-0"
S08.01 **10**



SECTION
SCALE: 3/4" = 1'-0"
S02.03.05, S02.03.07 **5**

SHEET NOTES
BLOCK COURSING SHOWN IS A GRAPHIC REPRESENTATION ONLY AND IS NOT INTENDED FOR CONSTRUCTION. REFERENCE ARCHITECTURAL DRAWINGS FOR COURSING ELEVATION.
REFERENCE ARCHITECTURAL DRAWINGS FOR ALL INSULATING AND WATERPROOFING REQUIREMENTS.

Portland International Jetport
1001 Westbrook Street
Portland, Maine 04102

Gensler
oest ASSOCIATES, INC.
engineers • architects • surveyors • construction managers

amec
343 Gorham Road, South Portland ME 04106
P: (207) 761-1770 F: (207) 774-1246 www.amec.com

THESE DRAWINGS ARE ISSUED FOR CONSTRUCTION AND REFLECT ALL AMEC ISSUED BULLETINS AND SKETCHES.

Issue	Date & Issue Description	By	Check
-- 01	09/22/08 DESIGN DEVELOPMENT	JDE	---
-- 02	12/03/08 75% CONSTRUCTION DOCUMENTS	JDE	---
-- 03	01/23/09 95% CONSTRUCTION DOCUMENTS	JDE	---
-- 04	10/26/09 ISSUED FOR PERMIT	JDE	---
Δ 05	02/03/10 BULLETIN #5	JDE	---
Δ 06	05/03/10 BULLETIN #10	JDE	---
145 07	09/01/11 ISSUED FOR CONSTRUCTION	JDE	---

Project Name
PJM Terminal Enhancement

Project Number
08.6395.000

CAD File Name
T:\5330101\SHEETS\S12.20.DWG

Description
FRAMING SECTIONS & DETAILS - LEVEL 3

Scale
AS NOTED

S12.20

©2009 Gensler