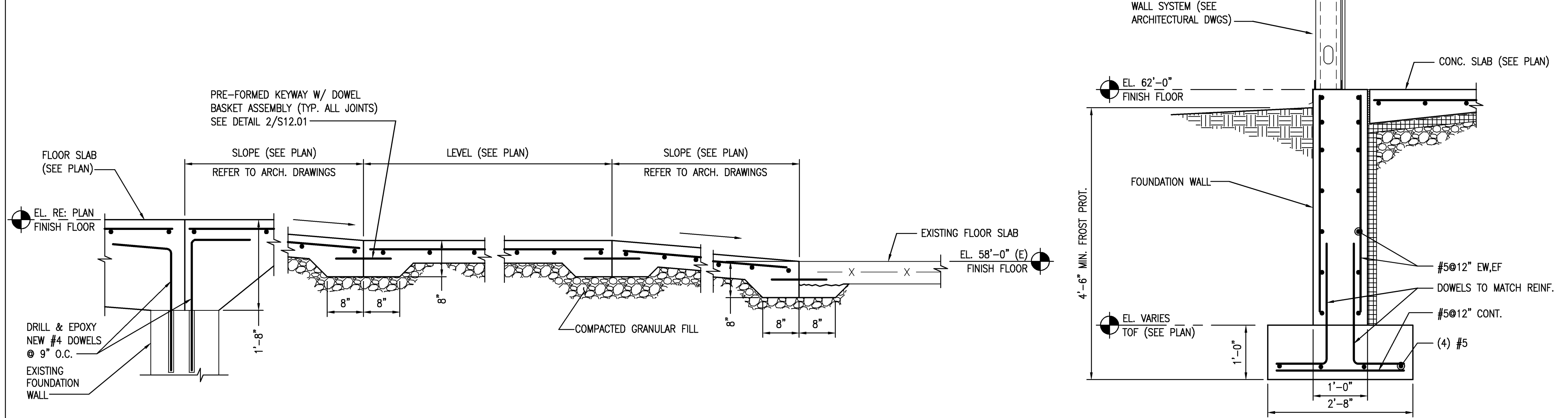
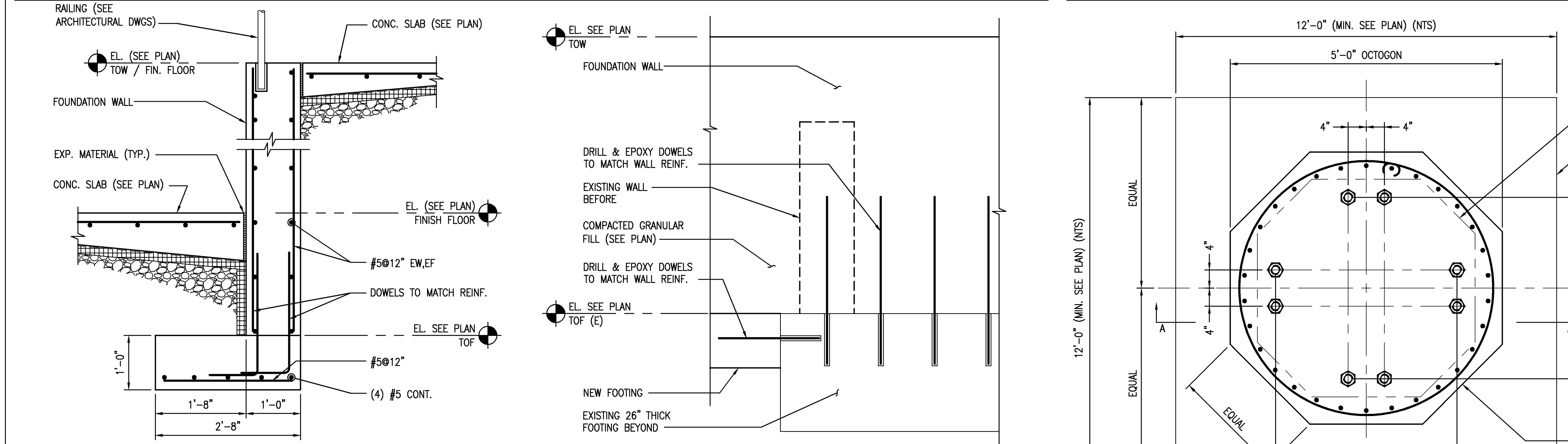


NOT USED

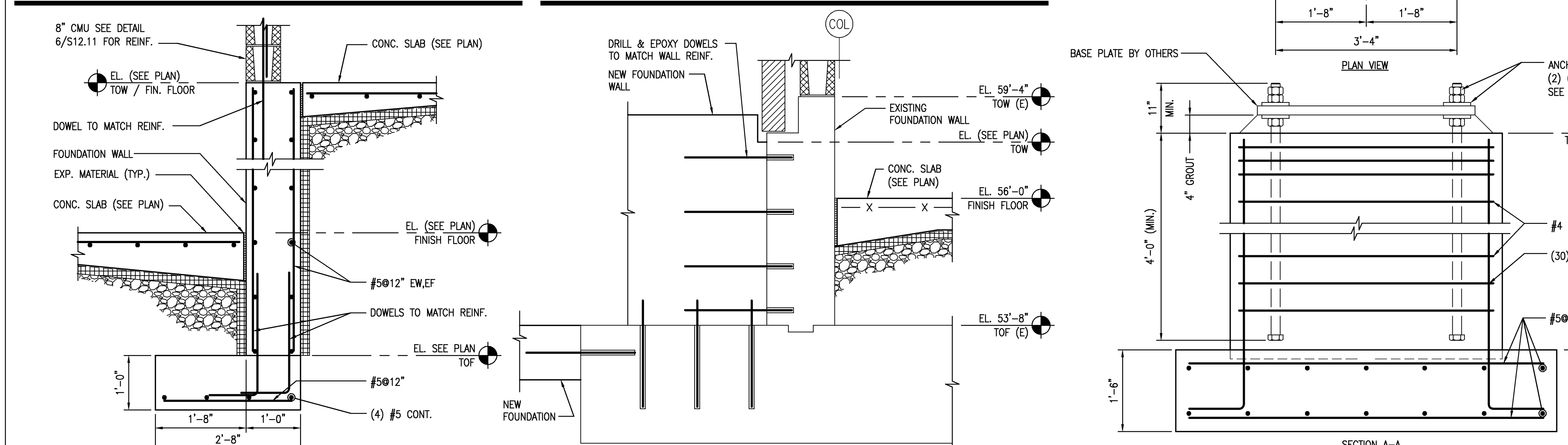
SECTION THROUGH STAIRS SCALE: 3/4" = 1'-0" S02.01.04 **9** **SECTION** SCALE: 3/4" = 1'-0" S02.01.03 **8** **SECTION** SCALE: 3/4" = 1'-0" **4**



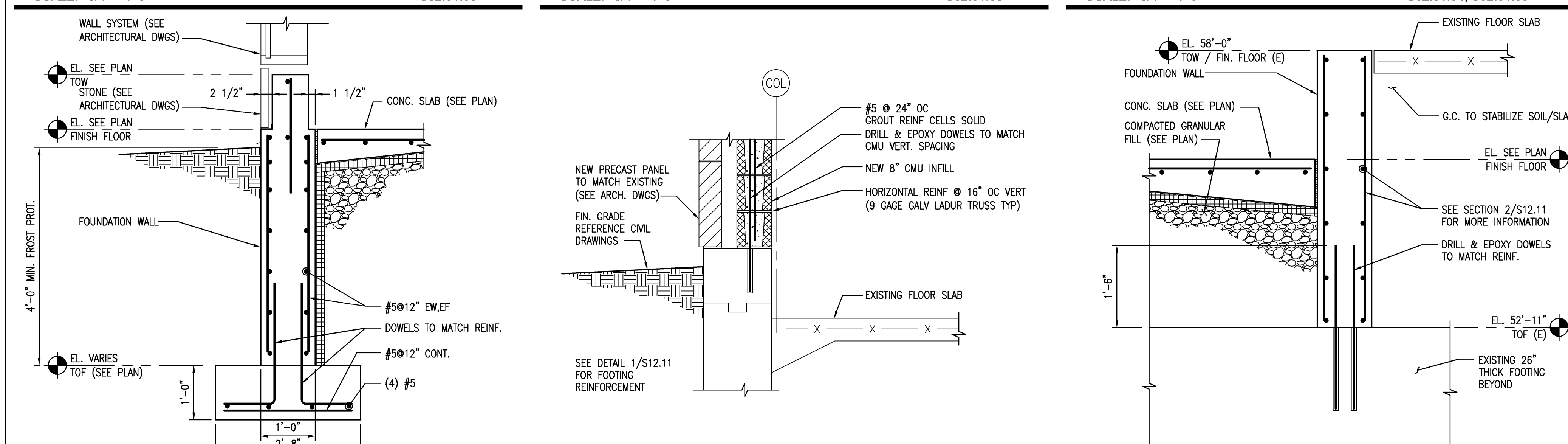
SECTION THROUGH RAMP SCALE: 3/4" = 1'-0" S02.01.04 **10** **WALL SECTION** SCALE: 3/4" = 1'-0" S02.01.05, S02.01.07 **5** **SECTION @ COLUMN PIER** SCALE: 3/4" = 1'-0" S02.01.04, S02.01.05 **1**



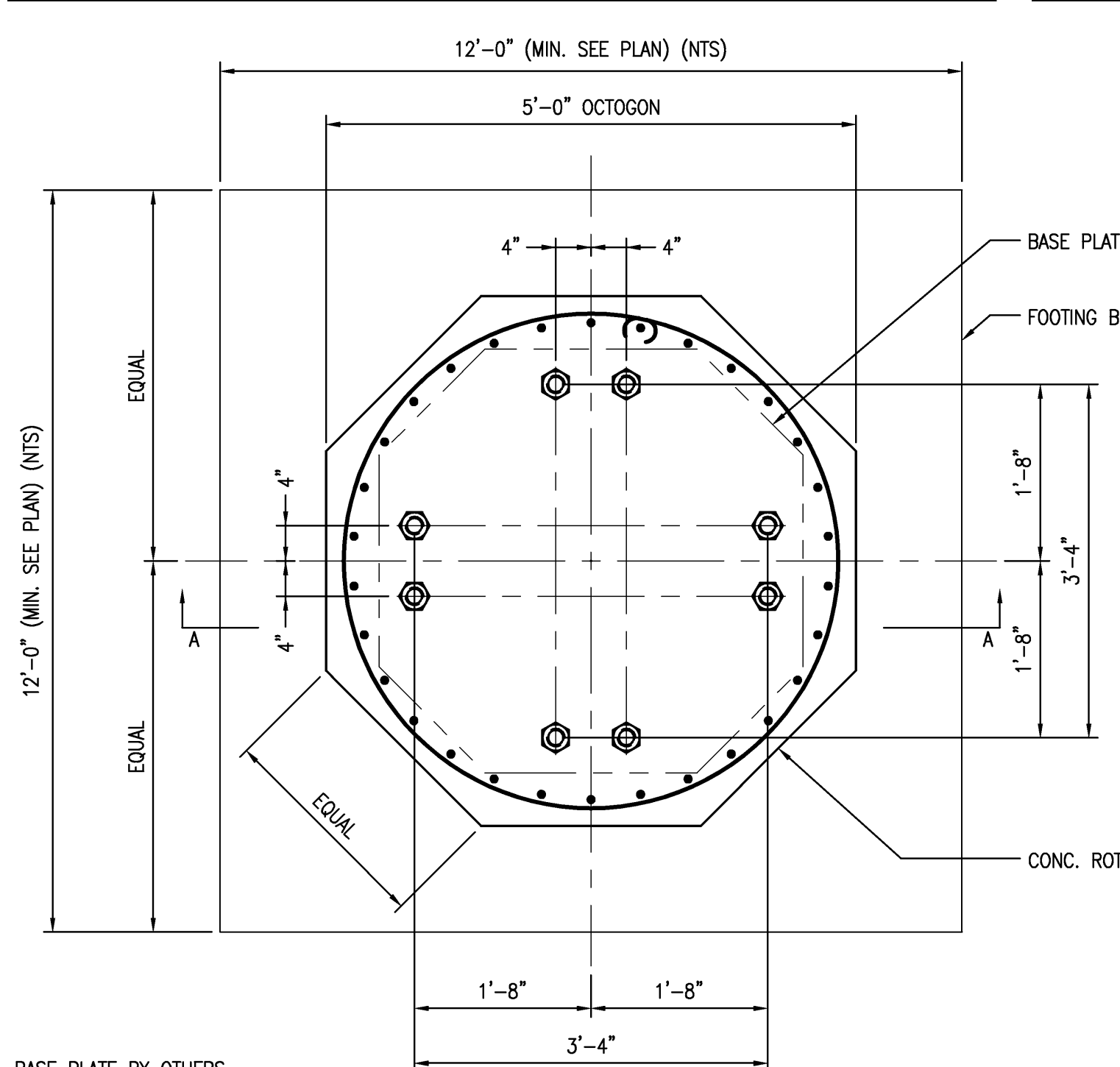
SECTION SCALE: 3/4" = 1'-0" S02.01.05 **14** **SECTION** SCALE: 3/4" = 1'-0" S02.01.03 **11**



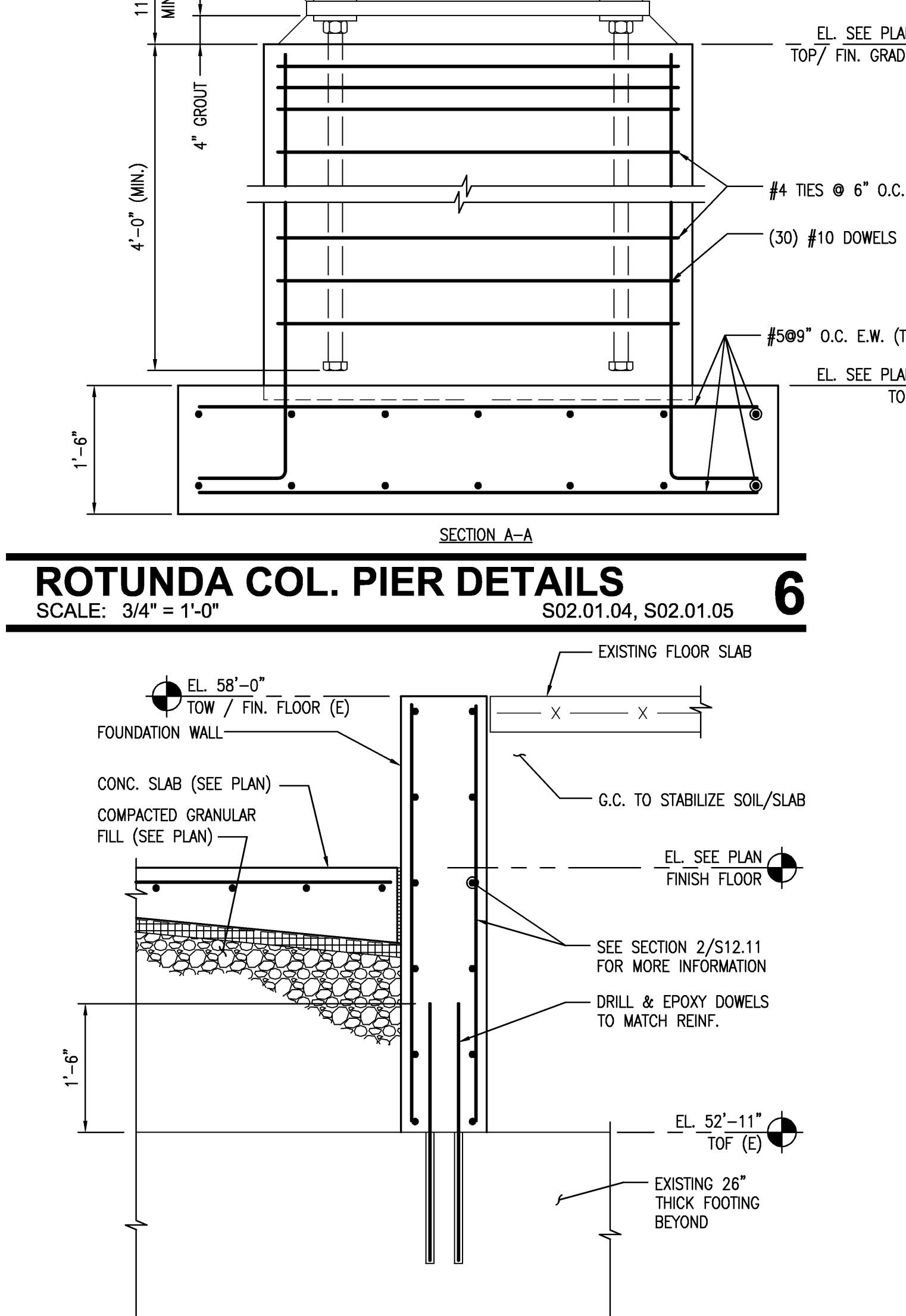
SECTION SCALE: 3/4" = 1'-0" S02.01.05 **15** **SECTION** SCALE: 3/4" = 1'-0" S02.01.03 **12**



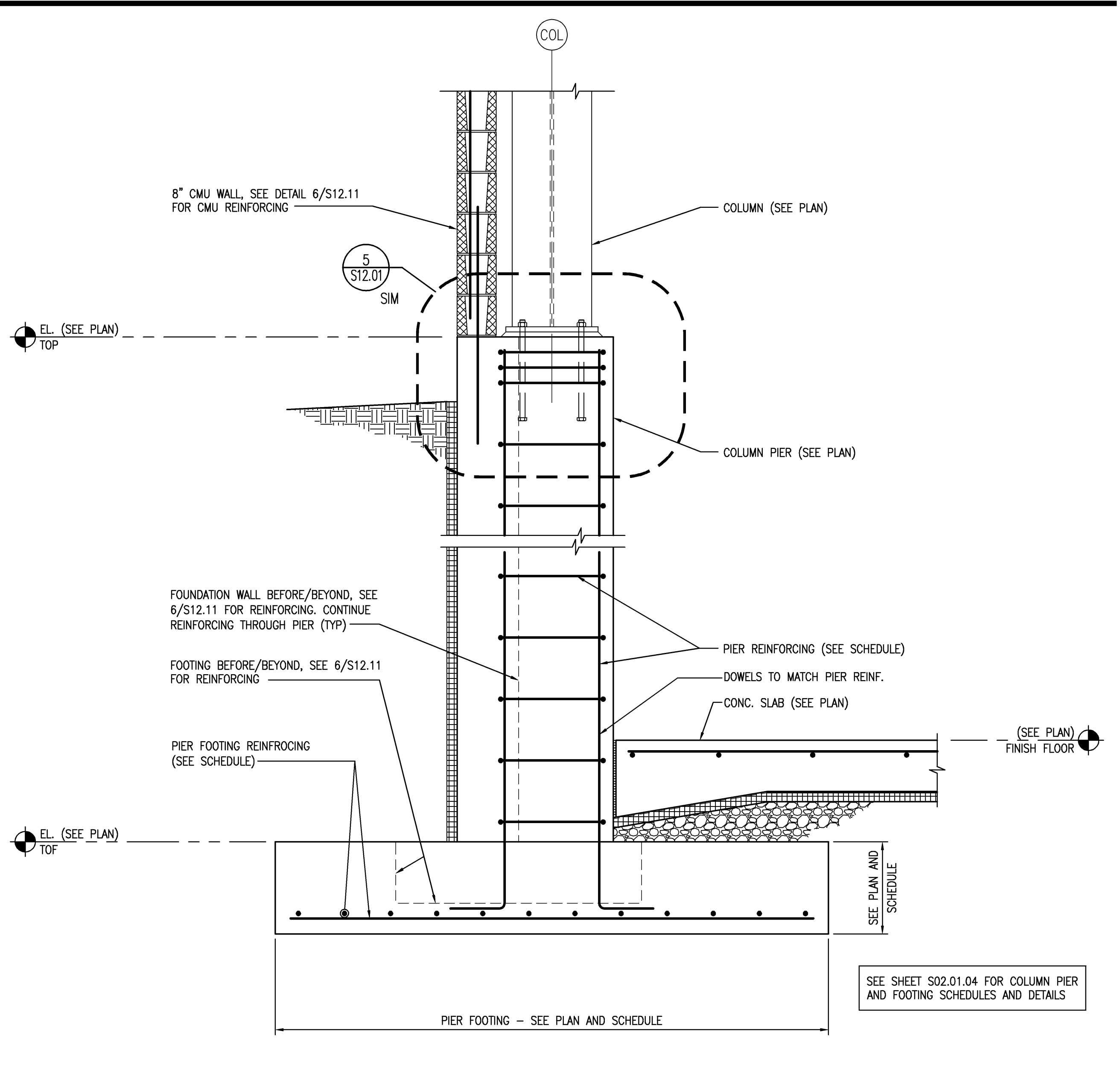
SECTION SCALE: 3/4" = 1'-0" S02.01.04, S02.01.05, S02.01.07 **16** **SECTION** SCALE: 3/4" = 1'-0" S02.01.04 **13**



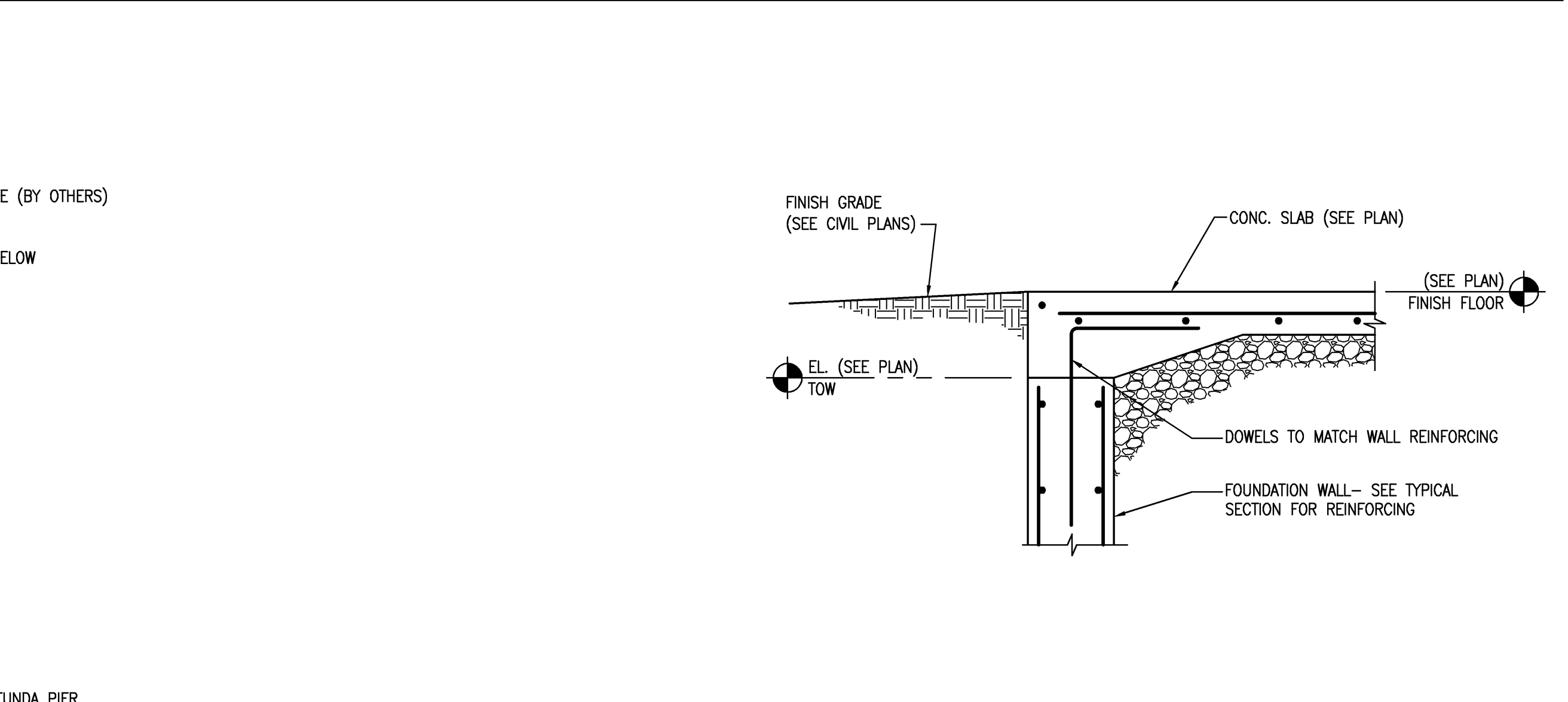
ROTUNDA COL. PIER DETAILS SCALE: 3/4" = 1'-0" S02.01.04, S02.01.05 **6**



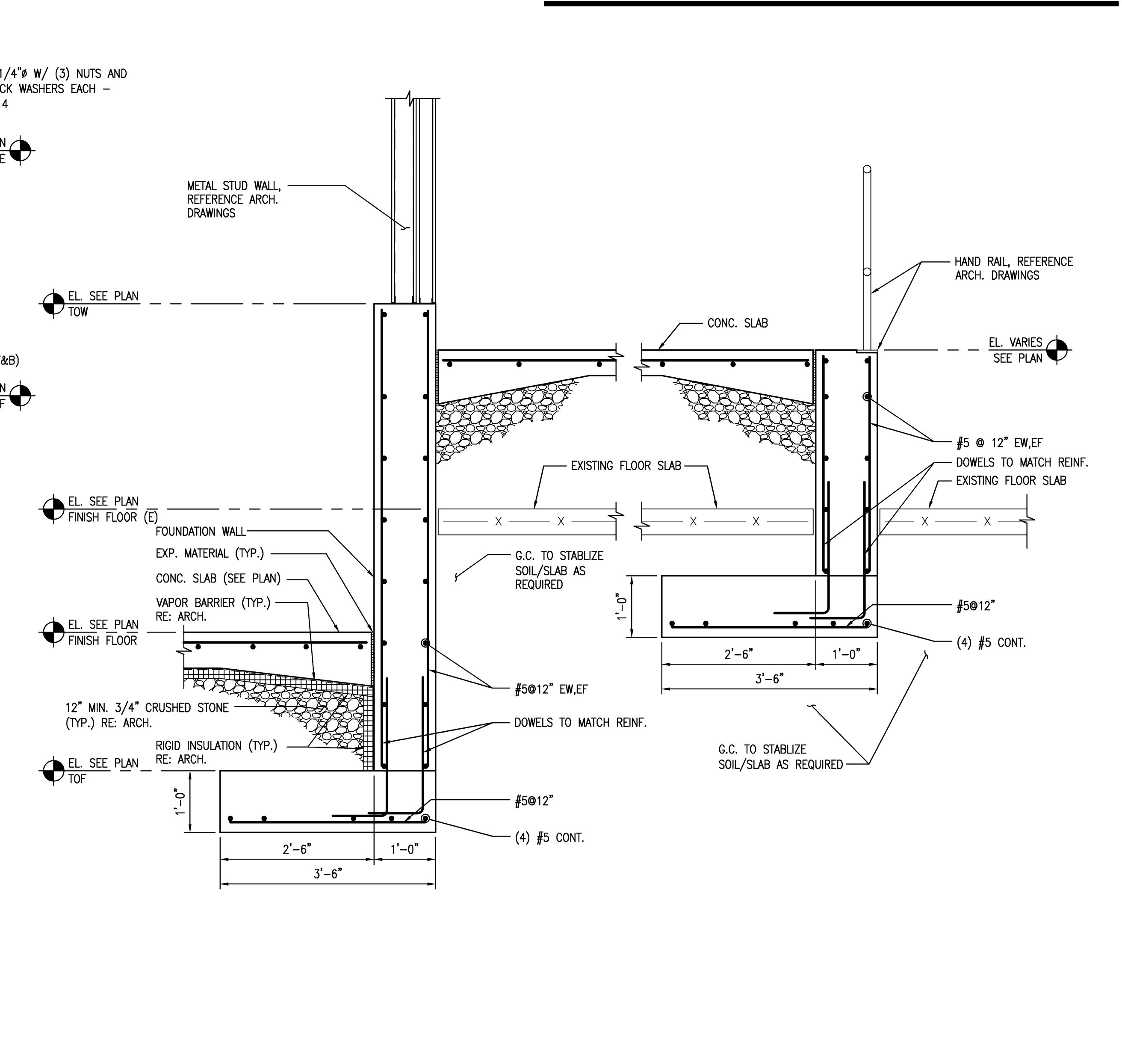
SECTION AT ZONE 4 RAMP SCALE: 3/4" = 1'-0" S02.01.03 **7**



SECTION @ COLUMN PIER SCALE: 3/4" = 1'-0" S02.01.04, S02.01.05 **1**



SECTION @ DOORWAY SCALE: 3/4" = 1'-0" S02.01.04, S02.01.05, S02.01.07 **2**



SECTION AT ZONE 4 RAMP SCALE: 3/4" = 1'-0" S02.01.04 **3**

SHEET NOTES
 BLOCK COURSING SHOWN IS A GRAPHIC REPRESENTATION ONLY AND IS NOT INTENDED FOR CONSTRUCTION. REFERENCE ARCHITECTURAL DRAWINGS FOR COURSING ELEVATION.
 REFERENCE ARCHITECTURAL DRAWINGS FOR ALL INSULATING AND WATERPROOFING REQUIREMENTS.
 REFERENCE S02.01.00 FOR ALL UNDERSLAB DRAINAGE REQUIREMENTS.
 REFERENCE SHEETS S12.01 & S12.02 FOR TYPICAL FOUNDATION AND CONCRETE REINFORCING STANDARDS.

Portland International Jetport
 1001 Westbrook Street
 Portland, Maine 04102

Gensler
 2020 K Street, NW
 Suite 200
 Washington, DC 20006
 Telephone 202.721.5200
 Facsimile 202.872.8587

AMEC ASSOCIATES, INC.
 343 Gorham Road, South Portland, ME 04106
 P: (207) 761-1770 F: (207) 774-1246 www.amec.com

AMEC

THESE DRAWINGS ARE ISSUED FOR CONSTRUCTION AND REFLECT ALL AMEC ISSUED BULLETINS AND SKETCHES.

Issue	Date & Issue Description	By	Check
01	09/22/08 DESIGN DEVELOPMENT	JDE	---
02	12/03/08 75% CONSTRUCTION DOCUMENTS	JDE	---
03	01/23/09 95% CONSTRUCTION DOCUMENTS	JDE	---
04	10/26/09 ISSUED FOR PERMIT	JDE	---
05	02/03/10 BULLETIN #5	JDE	---
06	05/03/10 BULLETIN #10	JDE	---
145	09/01/11 ISSUED FOR CONSTRUCTION	JDE	---

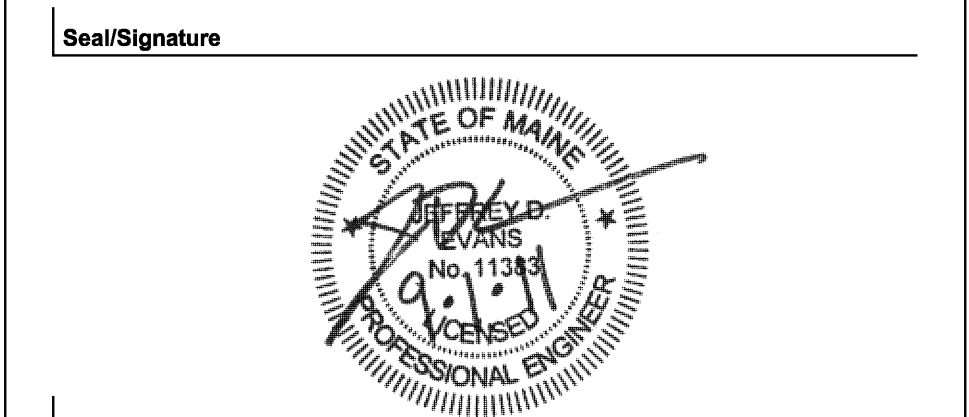
Project Name
 PWM Terminal Enhancement

Project Number
 08-8395-000

CAD File Name
 T:\5330101\SHEETS\S12.12.DWG

Description
 FOUNDATION SECTIONS & DETAILS

Scale
 AS NOTED



S12.12

©2009 Gensler