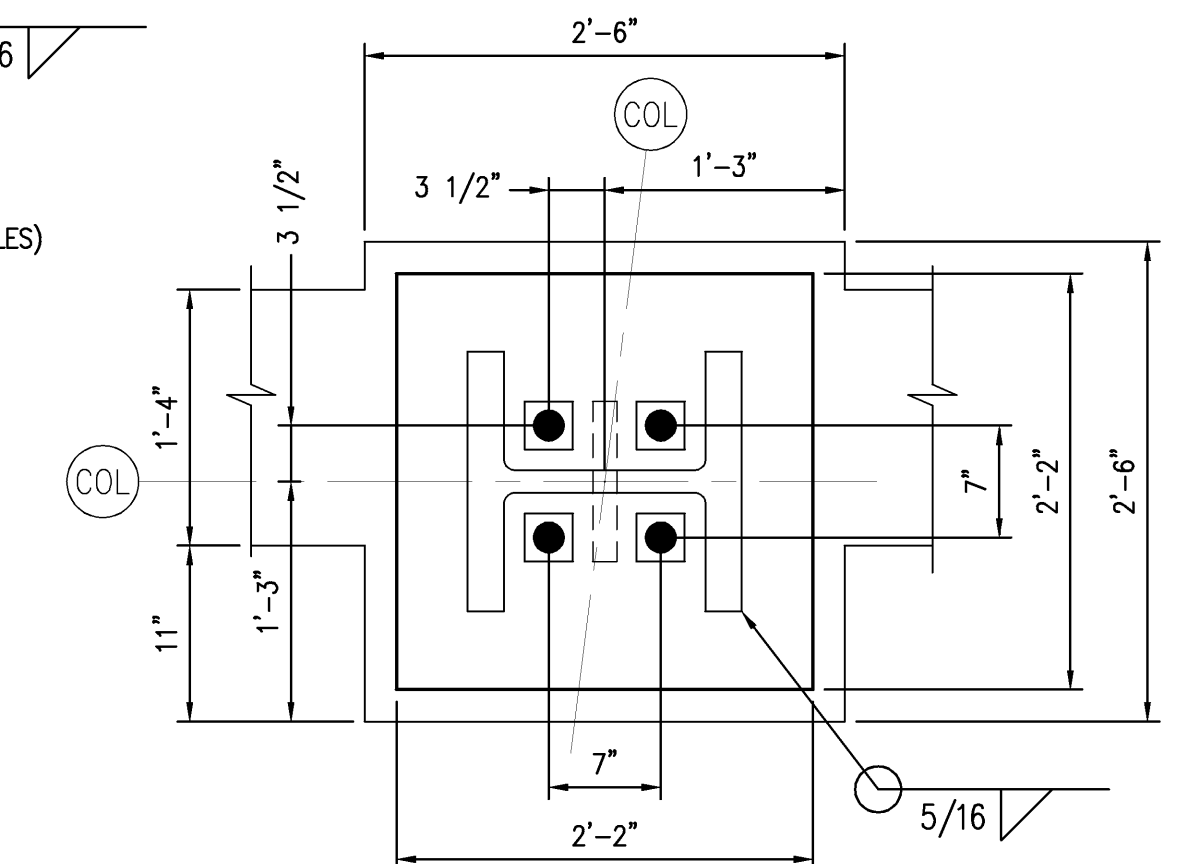
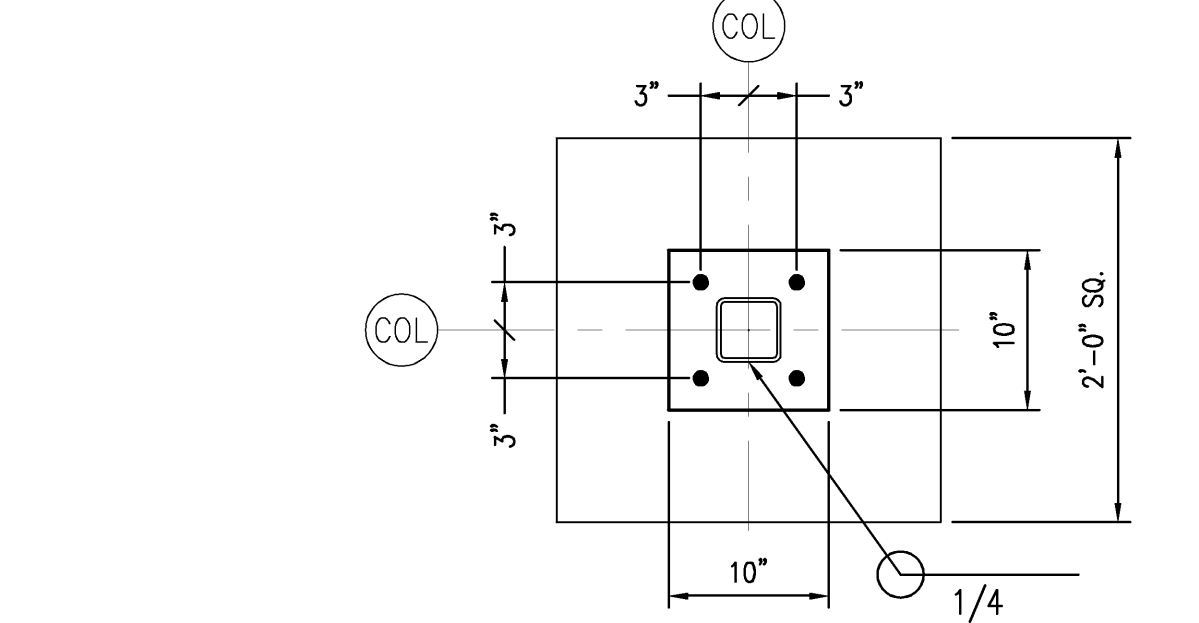


SHEET NOTES

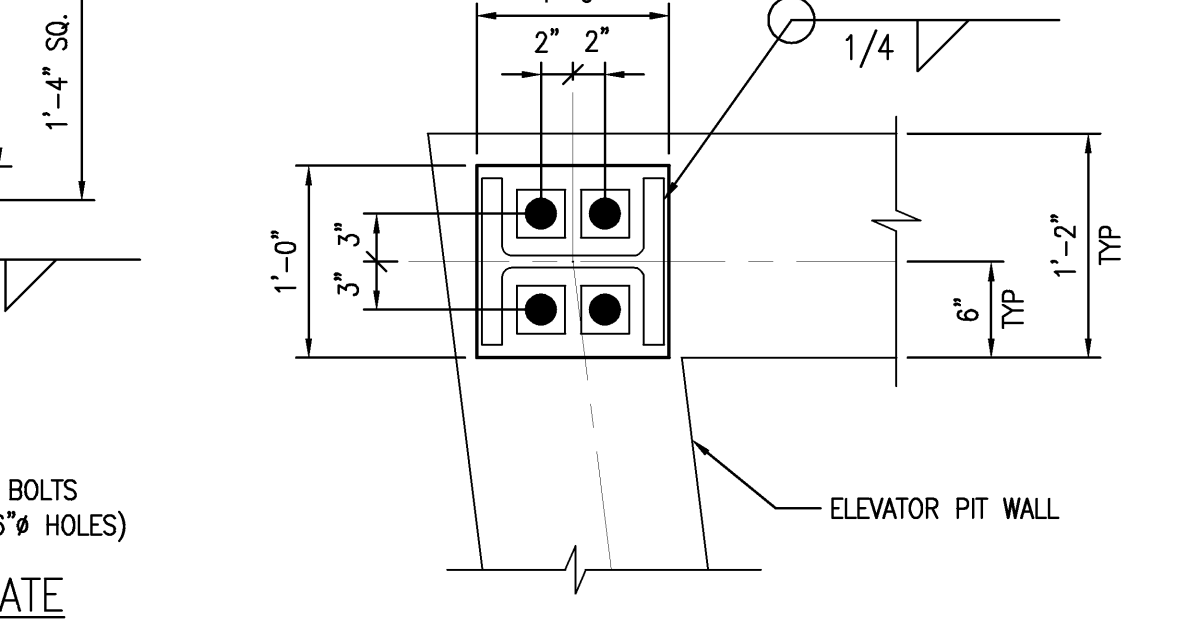
NOTE: ALL BASE PLATES WITH SHEAR LUGS, USE LEVELING NUTS INSTEAD OF LEVELING PLATES. FOR 1" RODS GROUT NEEDS TO BE 1 1/2" THICK TO ALLOW FOR ADJUSTMENT OF LEVELING NUTS. SEE SHEET S12.14 FOR DETAILS.



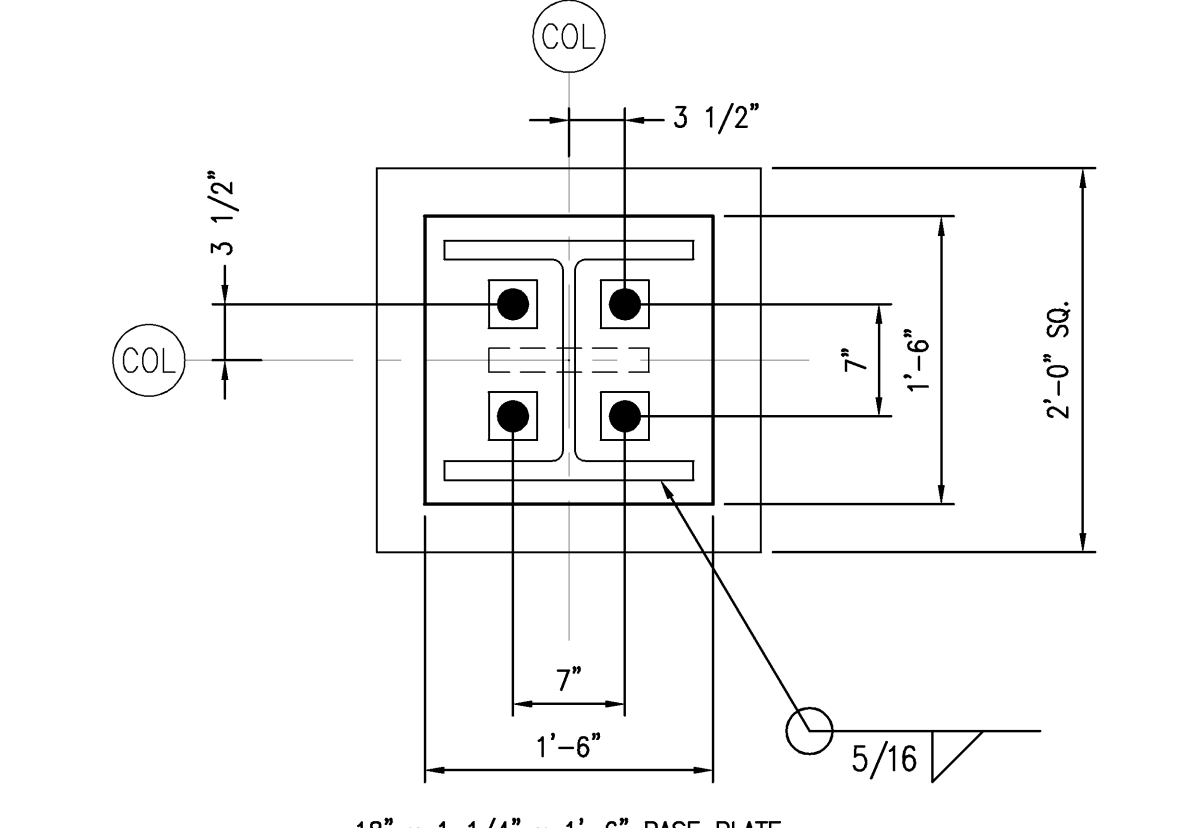
W14x311 COLUMN BASE PLATE
LOCATED @ XC-25



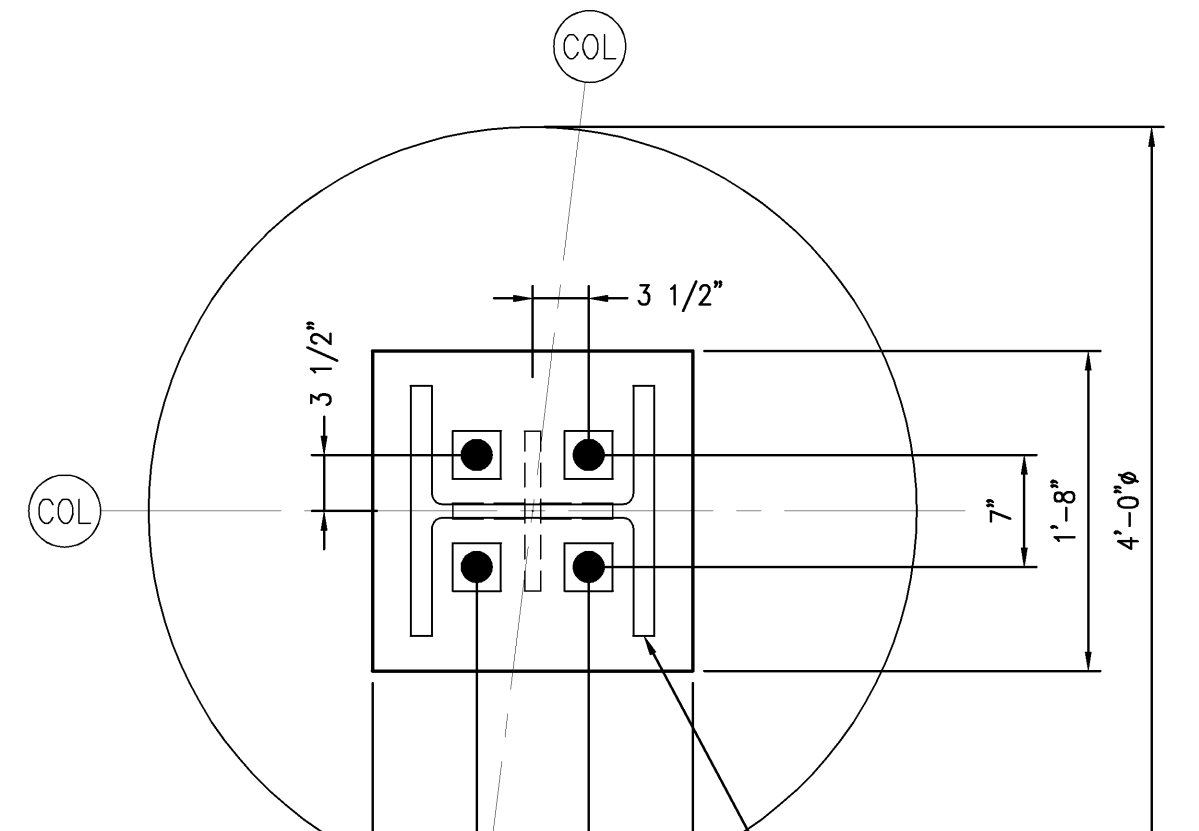
W10x112 COLUMN BASE PLATE
LOCATED @ ELEVATORS 4 & 5



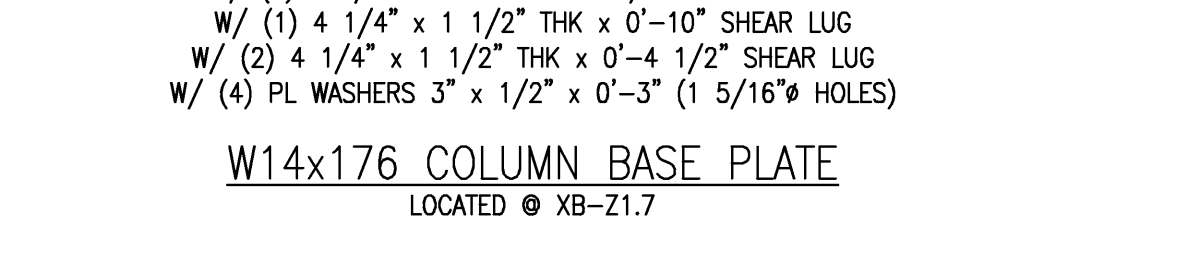
W10x112 COLUMN BASE PLATE
LOCATED @ ELEVATORS 4 & 5



W10x112 COLUMN BASE PLATE
LOCATED @ ELEVATORS 4 & 5



W10x112 COLUMN BASE PLATE
LOCATED @ ELEVATORS 4 & 5



W10x112 COLUMN BASE PLATE
LOCATED @ ELEVATORS 4 & 5

Portland International Jetport
1001 Westbrook Street
Portland, Maine 04102

Gensler

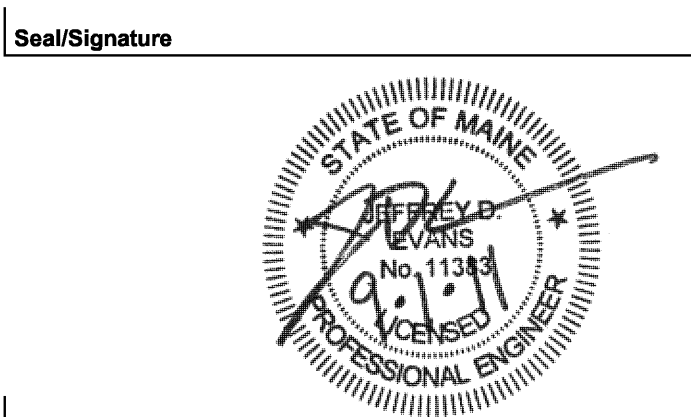
AMEC ASSOCIATES, INC.
engineers - architects - surveyors - construction managers

amec

343 Gorham Road, South Portland ME 04106
P: (207) 761-1770 F: (207) 774-1246 www.amec.com

THESE DRAWINGS ARE ISSUED FOR CONSTRUCTION AND REFLECT ALL AMEC ISSUED BULLETINS AND SKETCHES.

Issue	Date & Issue Description	By	Check
-- 01	09/22/08 DESIGN DEVELOPMENT	JDE	--
-- 02	12/03/08 75% CONSTRUCTION DOCUMENTS	JDE	--
-- 03	01/23/09 95% CONSTRUCTION DOCUMENTS	JDE	--
-- 04	10/26/09 ISSUED FOR PERMIT	JDE	--
▲ 05	02/03/10 BULLETIN #5	JDE	--
▲ 06	05/03/10 BULLETIN #10	JDE	--
145 07	09/01/11 ISSUED FOR CONSTRUCTION	JDE	--



Project Name: PWM Terminal Enhancement

Project Number: 08.6395.000
CAD File Name: T:\5330101\SHEETS\S12.10.DWG
Description: FOUNDATION SECTIONS & DETAILS

Scale: AS NOTED

S12.10

©2009 Gensler

BASE PLATE DETAILS
SCALE: 1" = 1'-0"