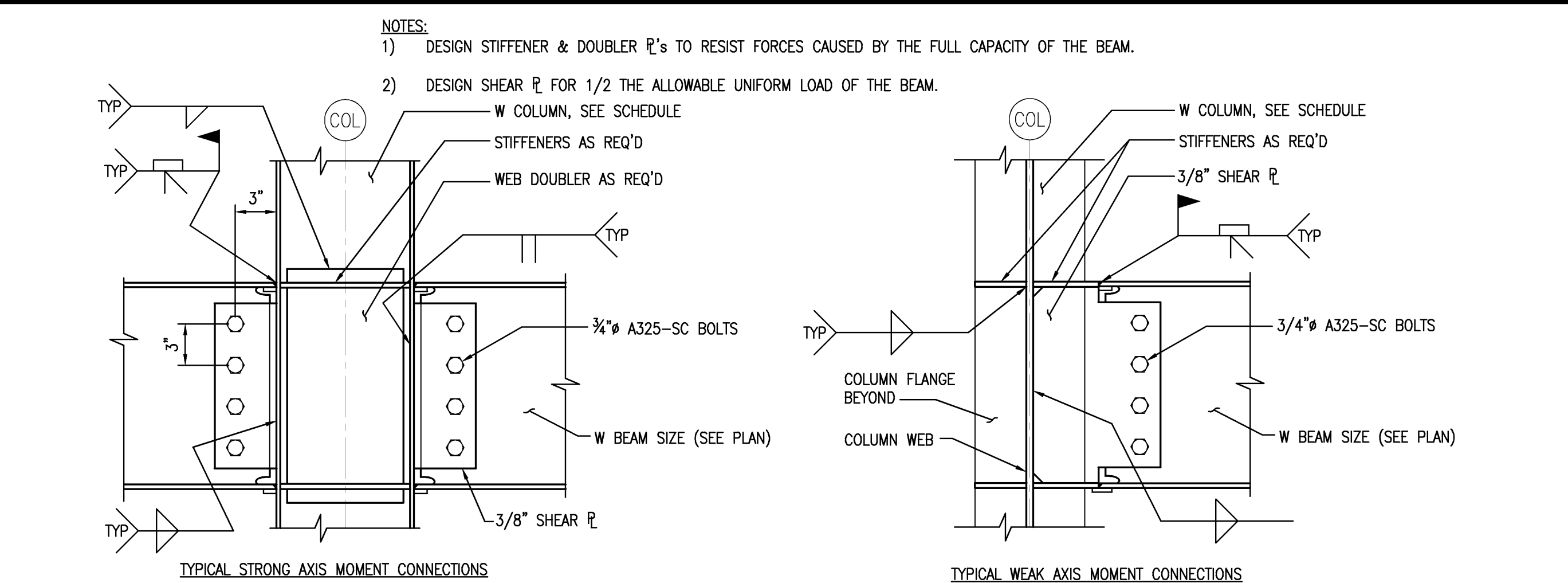
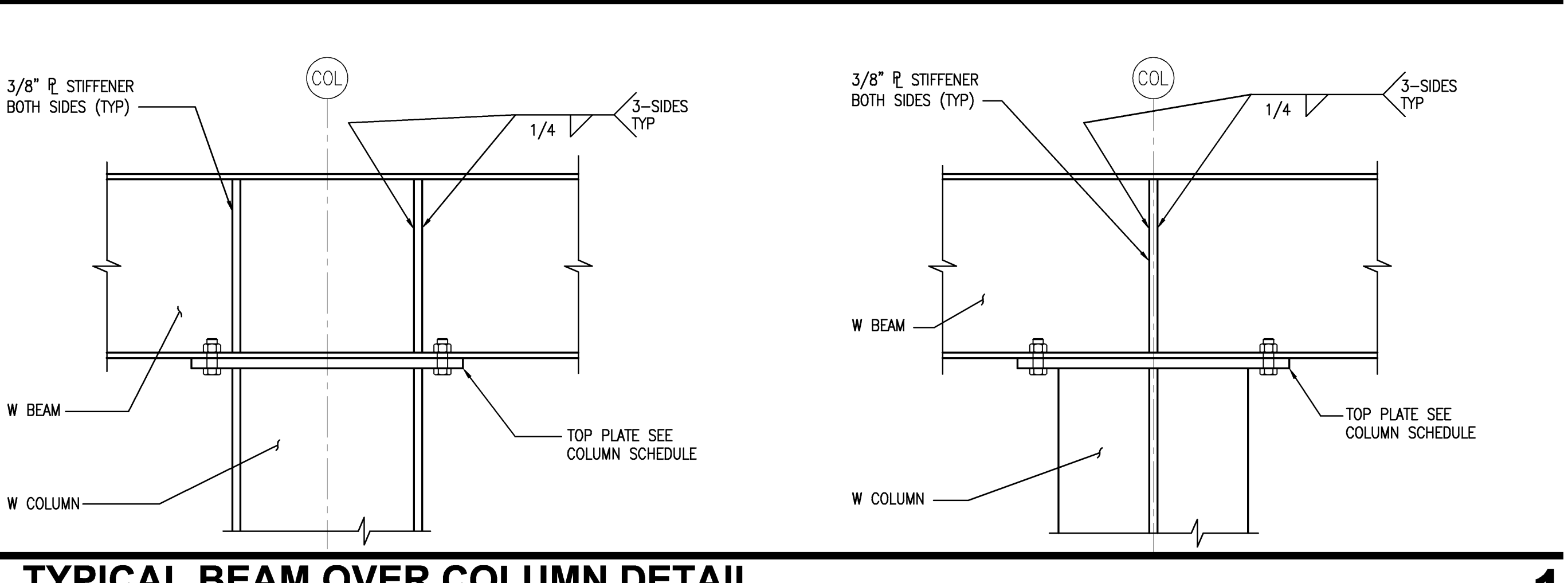


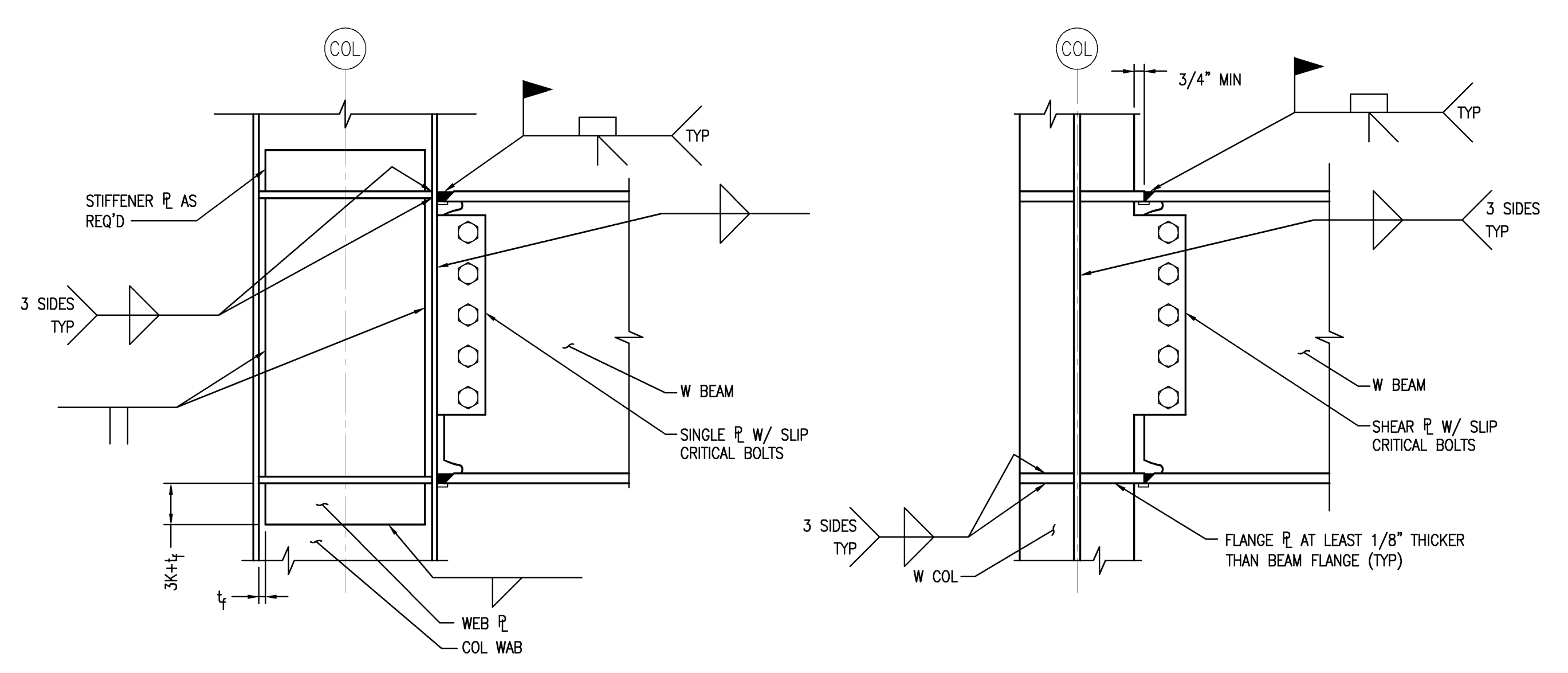
**TYPICAL COLUMN SPLICE DETAILS 10**  
SCALE: 1-1/2" = 1'-0"



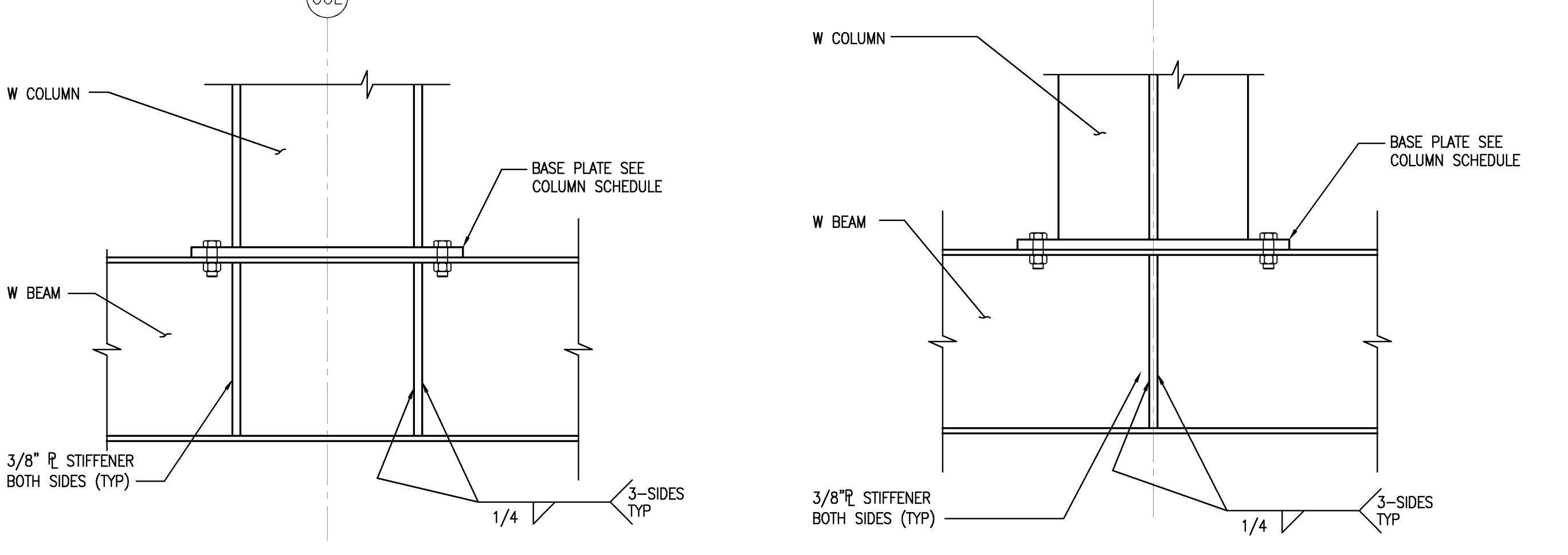
**TYPICAL MOMENT CONNECTION DETAILS**  
SCALE: 1-1/2" = 1'-0"



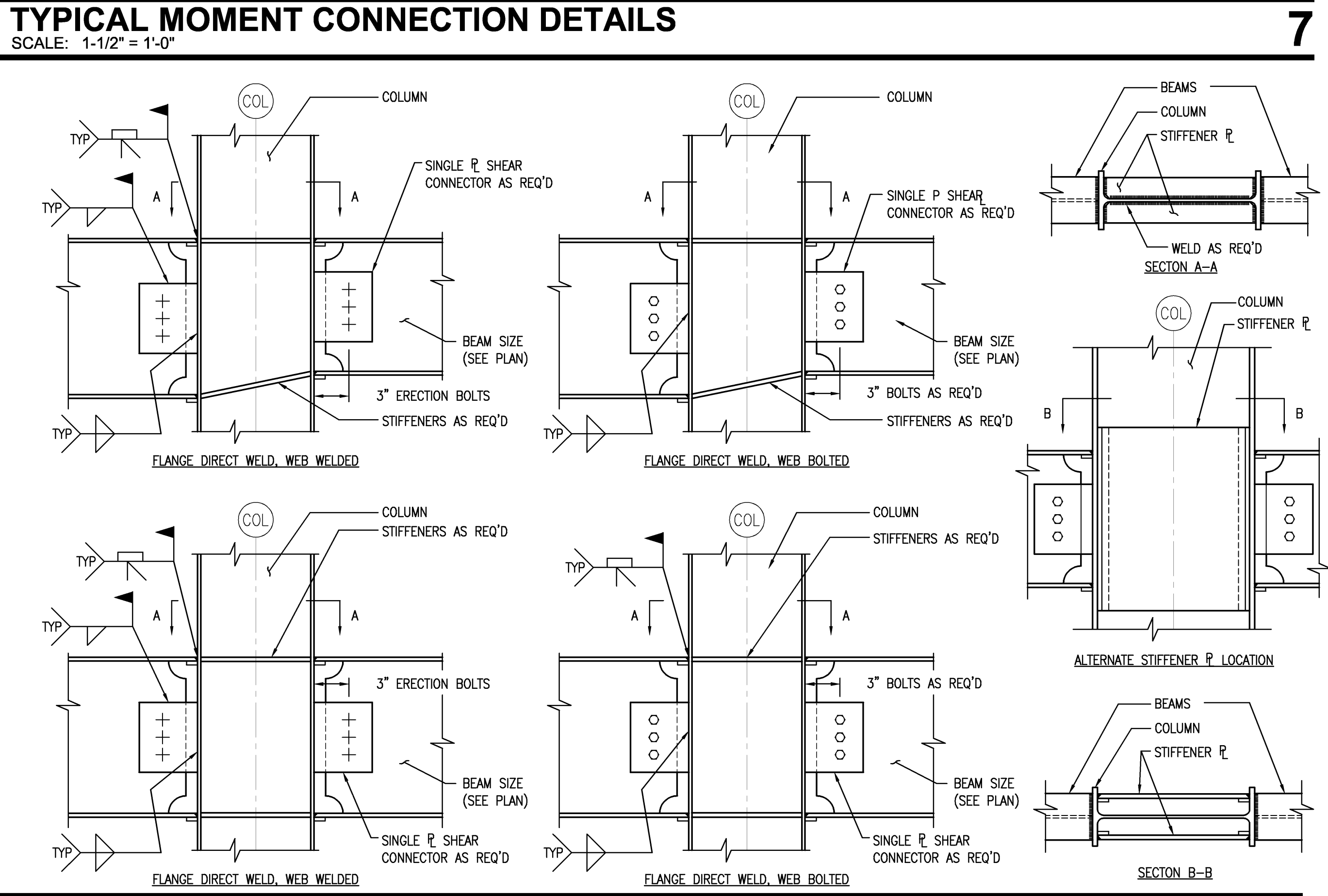
**TYPICAL BEAM OVER COLUMN DETAIL**  
SCALE: 1-1/2" = 1'-0"



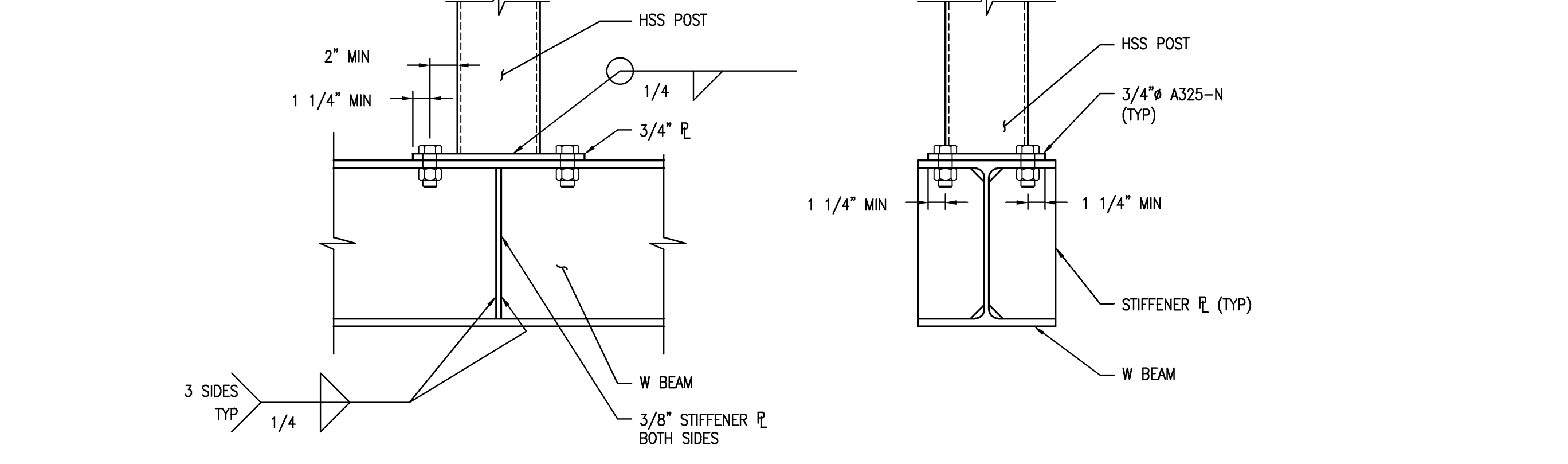
**TYPICAL MOMENT CONNECTION DETAILS**  
SCALE: 1-1/2" = 1'-0"



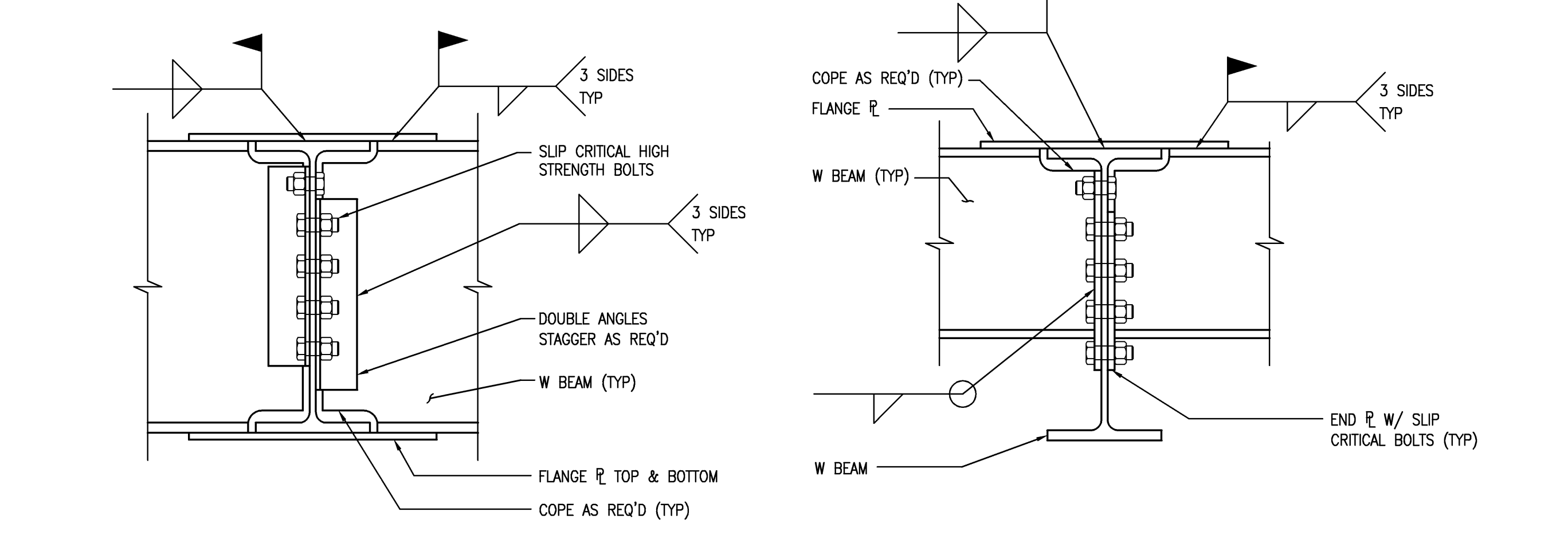
**TYPICAL WF COLUMN ON BEAM DETAIL**  
SCALE: 1-1/2" = 1'-0"



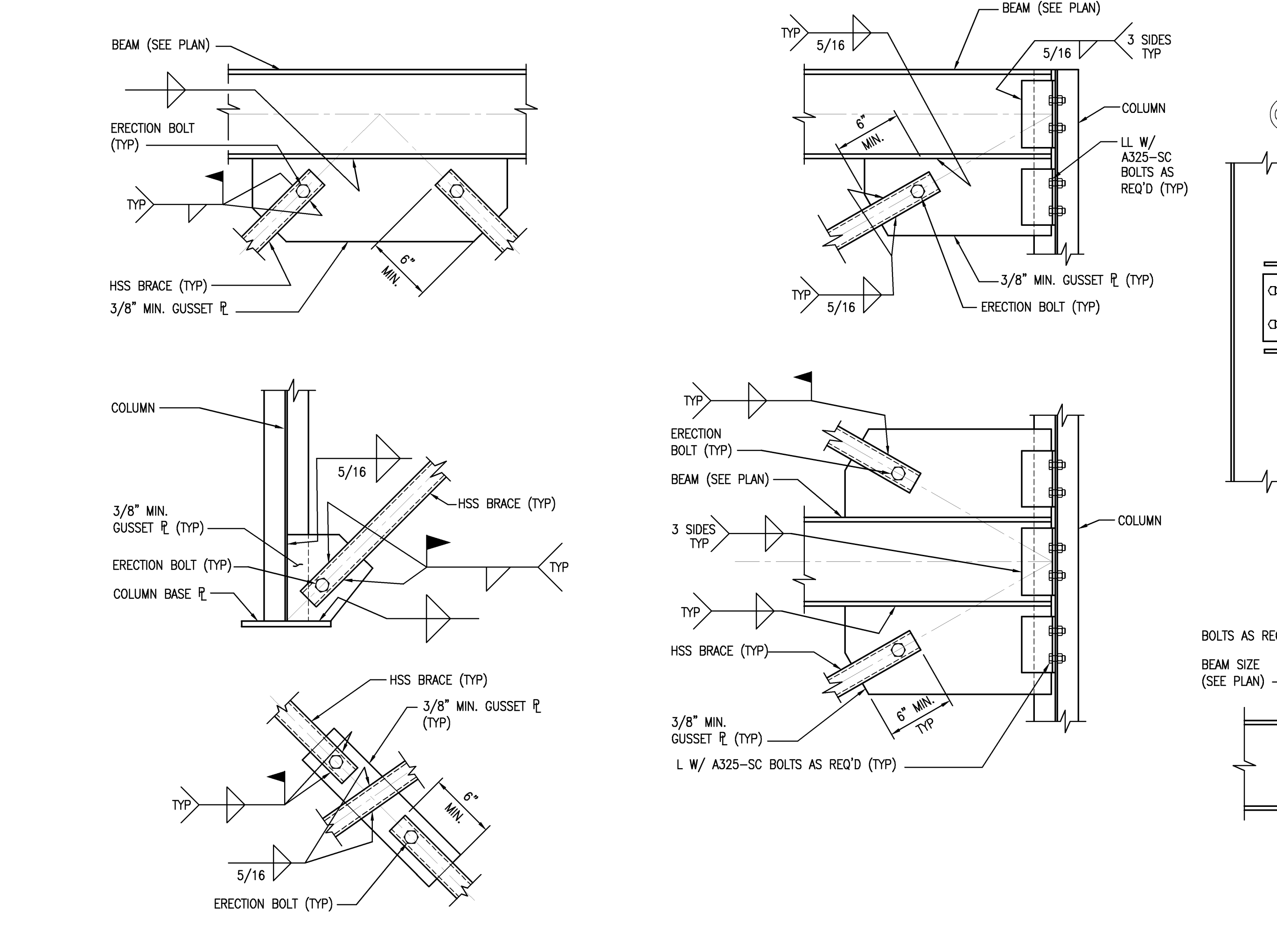
**TYPICAL MOMENT CONNECTION DETAILS**  
SCALE: 1-1/2" = 1'-0"



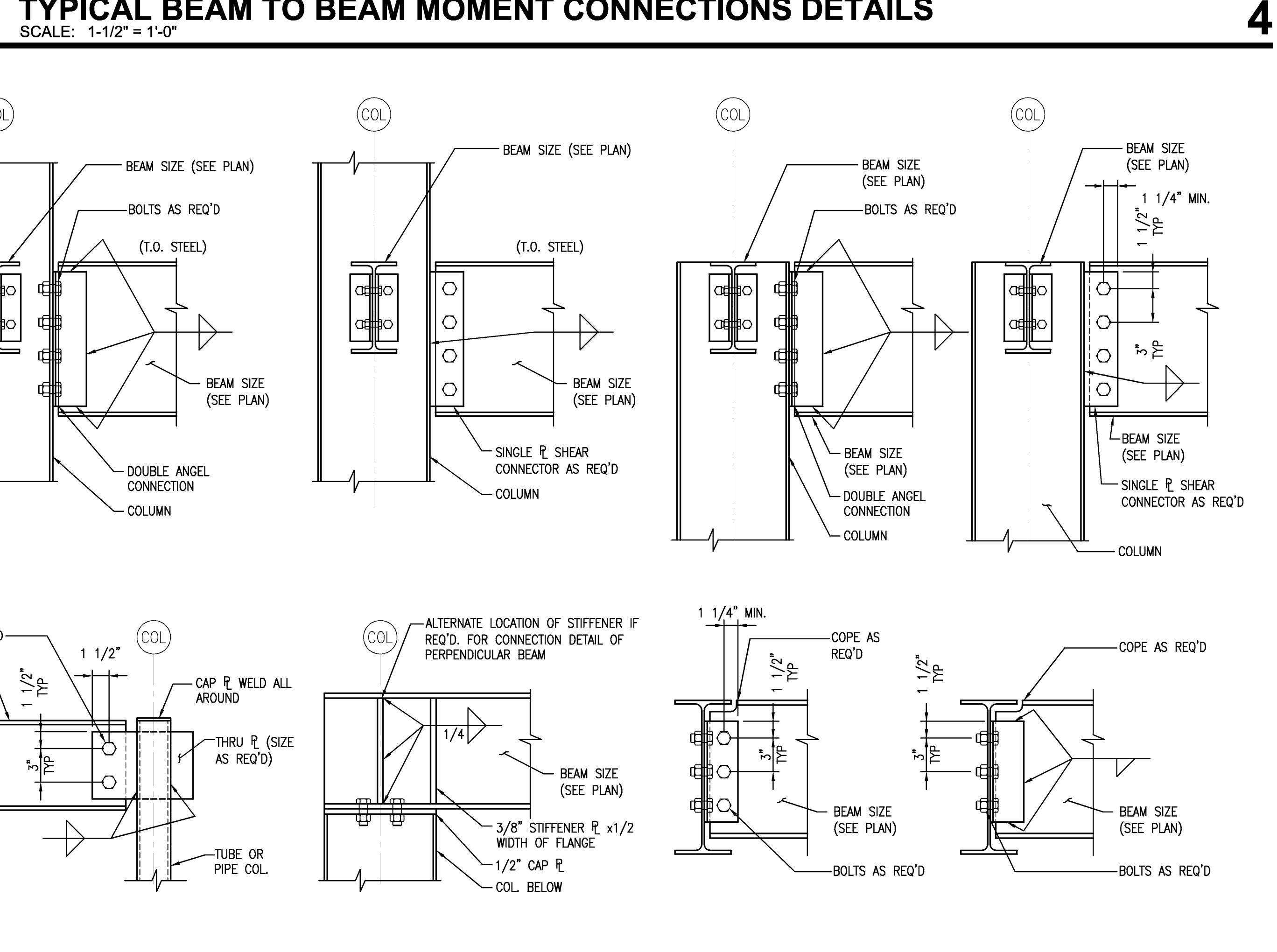
**TYPICAL TUBE COLUMN ON BEAM DETAIL**  
SCALE: 1-1/2" = 1'-0"



**TYPICAL BEAM TO BEAM MOMENT CONNECTIONS DETAILS**  
SCALE: 1-1/2" = 1'-0"



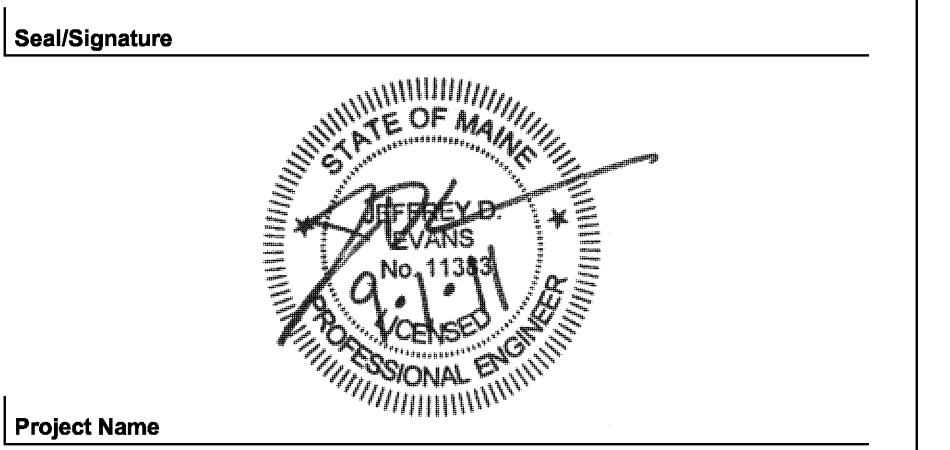
**TYPICAL CROSS BRACING DETAILS**  
SCALE: 1-1/2" = 1'-0"



**TYPICAL CONNECTIOIN DETAILS**  
SCALE: 1-1/2" = 1'-0"

THESE DRAWINGS ARE ISSUED FOR CONSTRUCTION AND REFLECT ALL AMEC ISSUED BULLETINS AND SKETCHES.

Issue	Date & Issue Description	By	Check
-- 01	12/03/08	JDE	--
-- 02	07/23/09	JDE	--
-- 03	10/26/09	JDE	--
Δ 04	02/03/10	JDE	--
145	09/01/11	JDE	--



Project Name  
PJM Terminal Enhancement

Project Number  
08.6395.000

CAD File Name  
T:\5330101\SHEETS\S12.03.DWG

Description  
TYPICAL DETAILS - FRAMING

Scale  
AS NOTED

**S12.03**