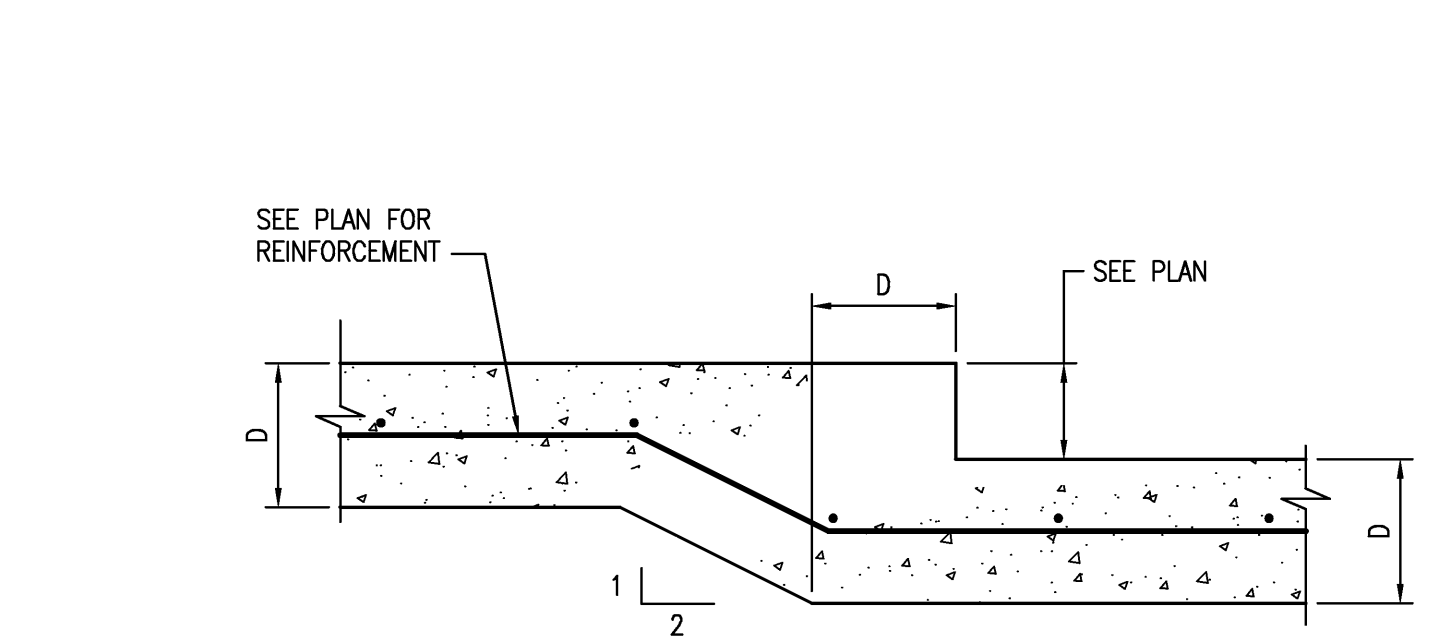
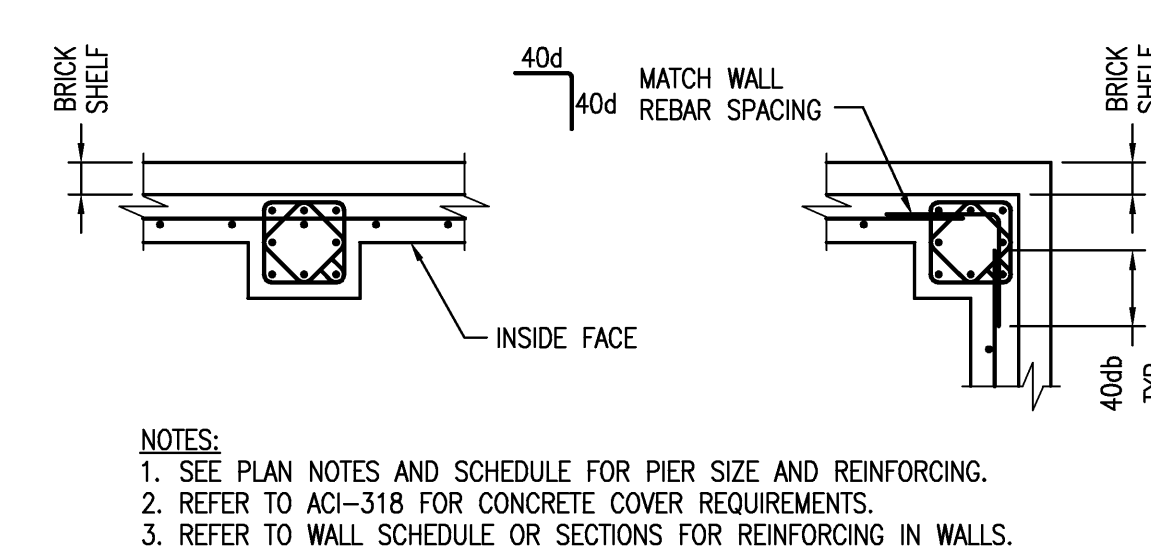


TYPICAL ISOLATION JOINT AT COLUMN DETAILS
SCALE: NOT TO SCALE

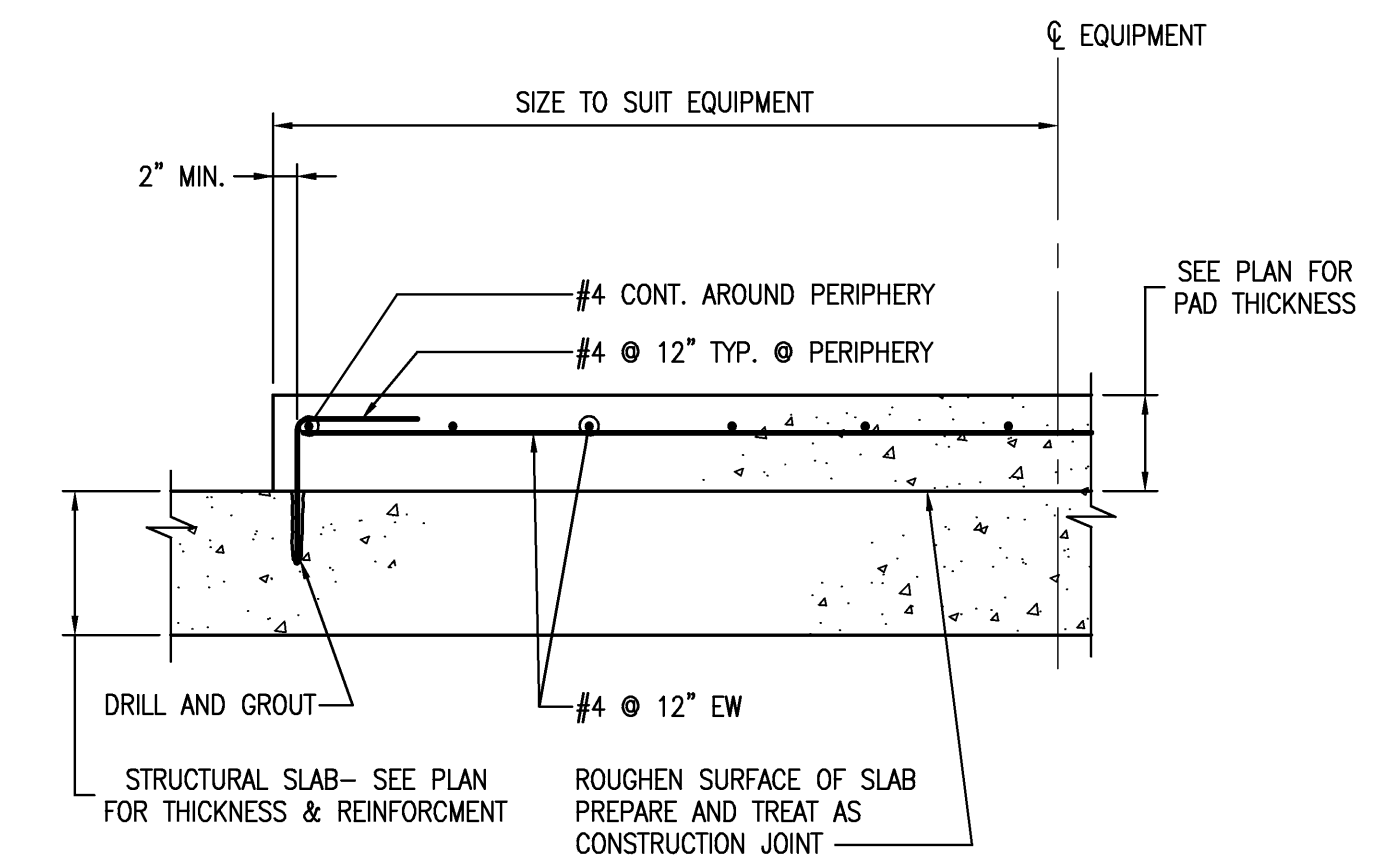


DEPRESSED SLAB ON GRADE
SCALE: NOT TO SCALE

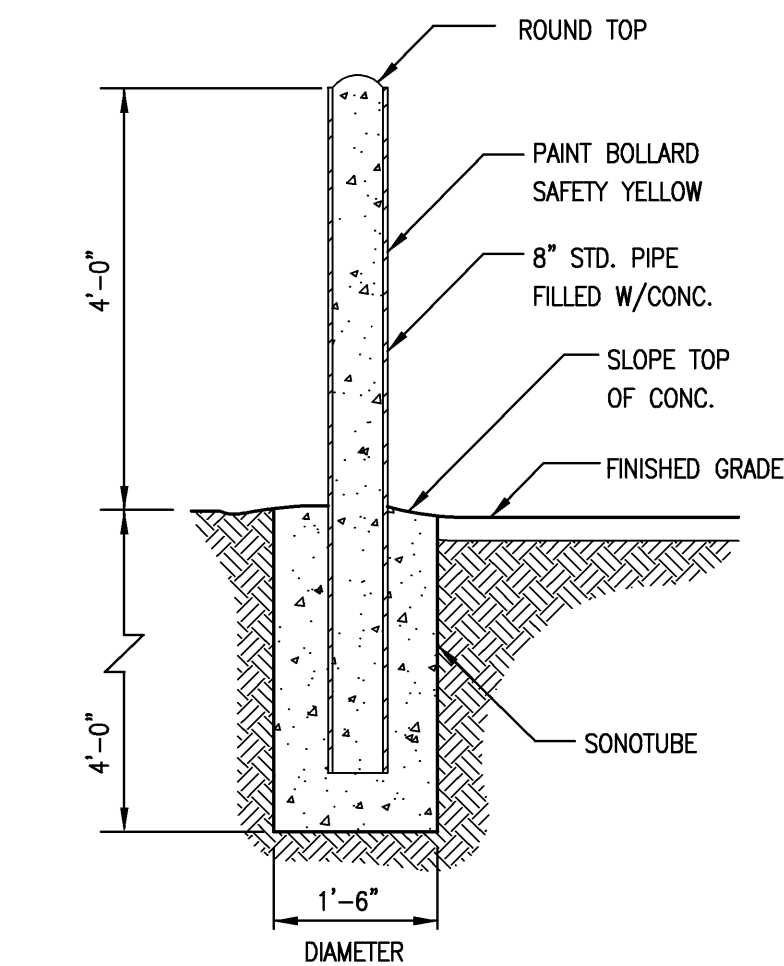


NOTES:
1. SEE PLAN NOTES AND SCHEDULE FOR PIER SIZE AND REINFORCING.
2. REFER TO ACI-318 FOR CONCRETE COVER REQUIREMENTS.
3. REFER TO WALL SCHEDULE OR SECTIONS FOR REINFORCING IN WALLS.

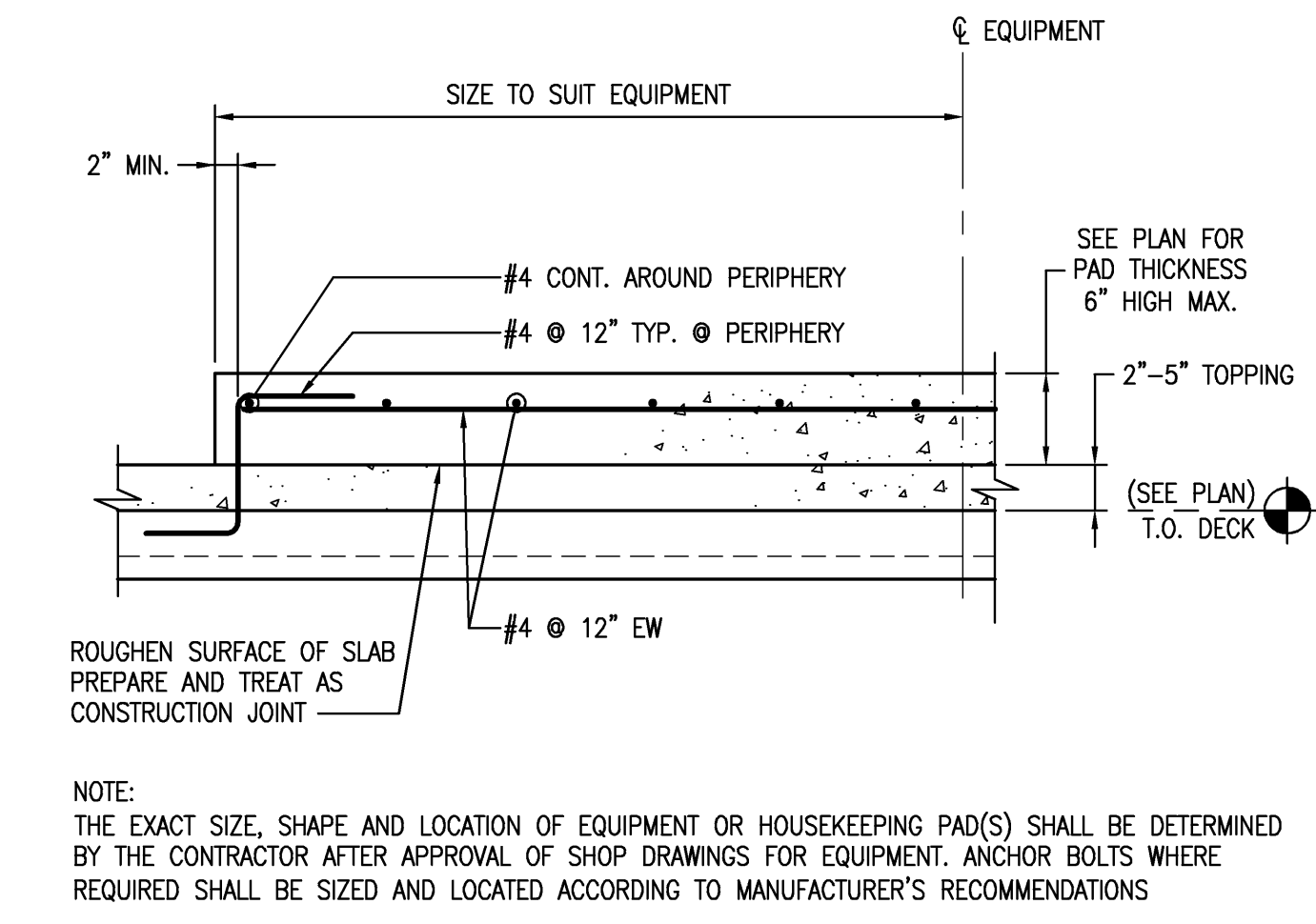
WALL REINF. THROUGH PIERS
SCALE: NOT TO SCALE



TYPICAL EQUIPMENT PAD DETAIL
SCALE: NOT TO SCALE

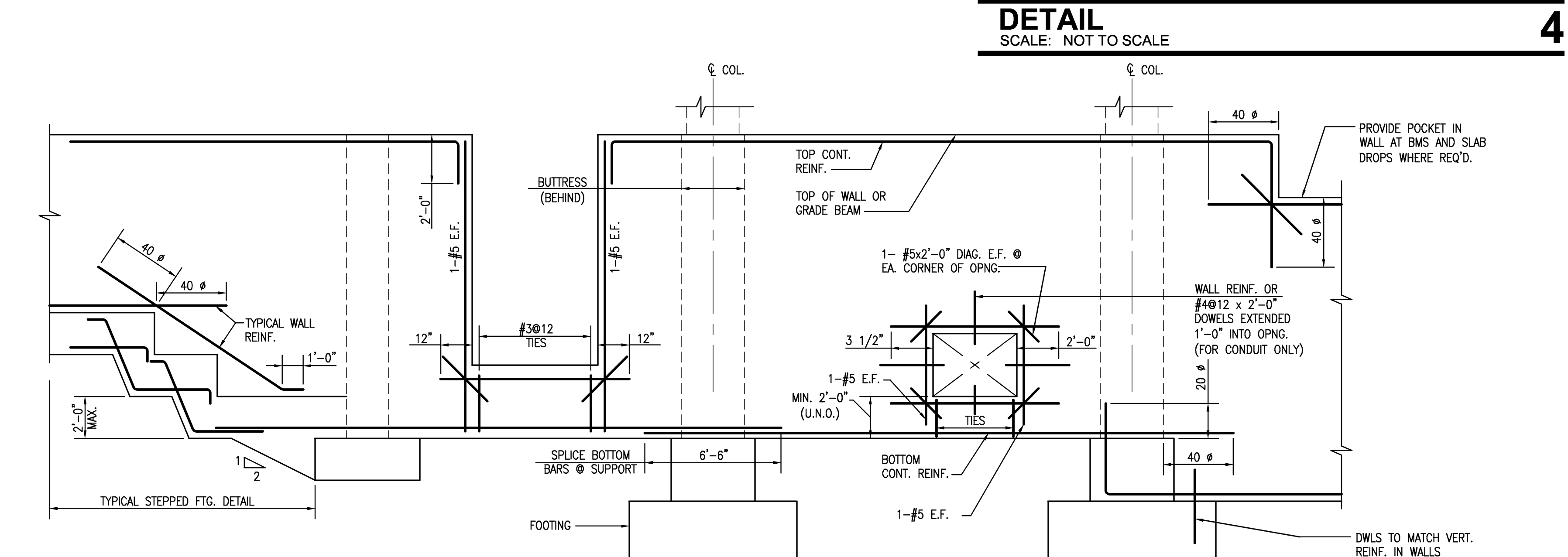


BOLLARD DETAIL
SCALE: NOT TO SCALE



TYPICAL EQUIPMENT PAD DETAIL
SCALE: NOT TO SCALE

NOT USED



ELEVATION SHOWING REQUIRED WALL REINFORCING
SCALE: NOT TO SCALE

Portland International
Jetport
1001 Westbrook Street
Portland, Maine 04102

Gensler
2020 K Street, NW
Suite 200
Washington, DC 20006
Telephone 202.721.5200
Facsimile 202.872.8587

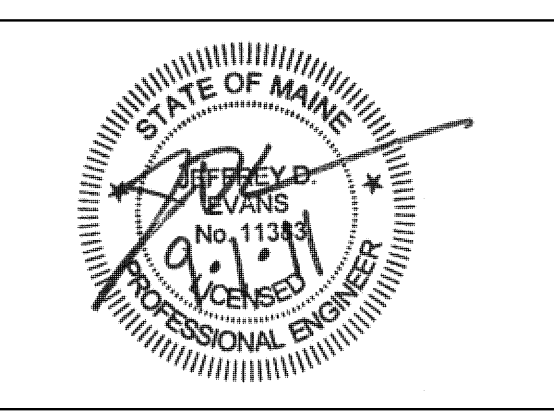
oest ASSOCIATES, INC.
343 Gorham Road, South Portland, ME 04106
P: (207) 761-1770 F: (207) 774-1246 www.oest.com
engineers • architects • surveyors • construction managers

amec
343 Gorham Road, South Portland ME 04106
P: (207) 761-1770 F: (207) 774-1246 www.amec.com

THESE DRAWINGS ARE ISSUED FOR CONSTRUCTION AND REFLECT ALL AMEC ISSUED BULLETINS AND SKETCHES.

Issue	Date & Issue Description	By	Check
-- 01	12/03/08	.JDE	--
-- 02	01/23/09	.JDE	--
-- 03	10/26/09	.JDE	--
△ 04	02/03/10	.JDE	--
145 05	09/01/11	.JDE	--

See Signature



Project Name
PJM Terminal Enhancement
Project Number
08.6395.000
CAD File Name
T:\5330101\SHEETS\S12.02.DWG
Description
TYPICAL DETAILS - FOUNDATION

Scale
AS NOTED

S12.02

©2009 Gensler