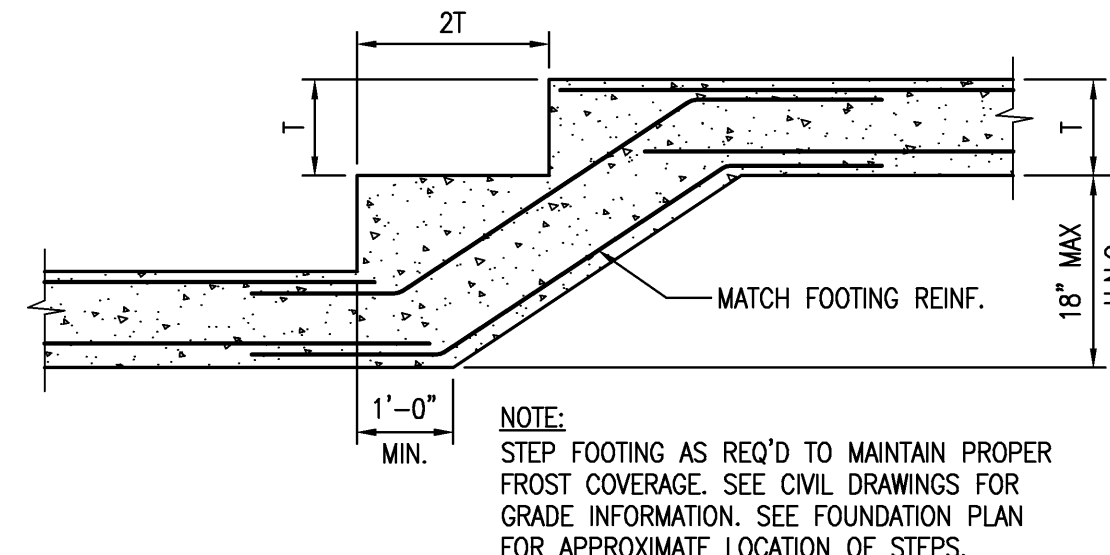
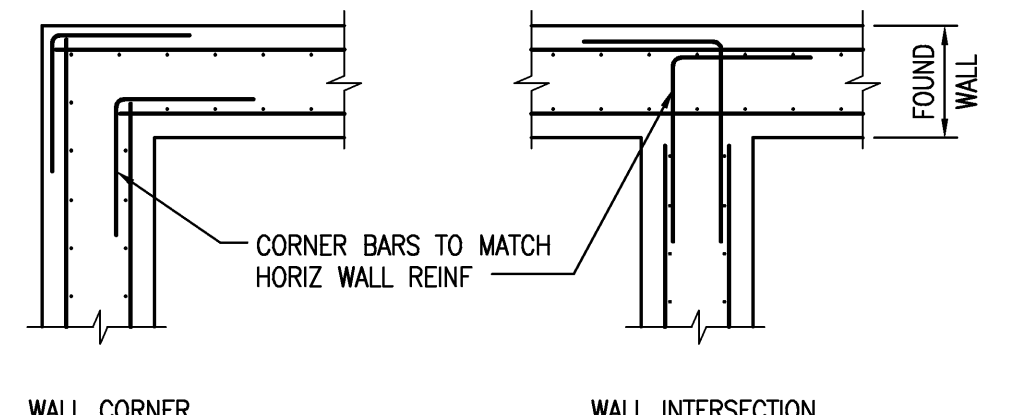


INTERNAL COLUMN FOOTING SECTION (TYP.)
SCALE: 3/4" = 1'-0"
S02.01.04, S02.01.05 **15**



STEP FOOTING DETAIL
SCALE: 1/2" = 1'-0" **10**



FOUNDATION WALL DETAILS
SCALE: 1/2" = 1'-0" **4**

TENSION DEVELOPMENT LENGTH (inches) FOR DEFORMED BARS IN CONCRETE

BAR SIZE	f'c = 3000 psi, fc = 60,000 psi		f'c = 4000 psi, fc = 60,000 psi	
	OTHER BARS	TOP BARS	OTHER BARS	TOP BARS
#3	12	13	12	12
#4	14	18	12	16
#5	17	22	15	19
#6	20	26	18	23
#7	29	38	25	34
#8	33	43	29	37
#9	37	48	32	42
#10	45	56	39	50
#11	55	71	48	62

$\alpha = 1.0$ FOR OTHER BARS AND 1.3 FOR TOP BARS
 $\beta = 1.0$ FOR UNCOATED BARS
 $\gamma = 0.8$ FOR #6 AND SMALLER AND 1.0 FOR #7 AND LARGER BARS
 $\lambda = 1.0$ FOR NORMAL WEIGHT CONCRETE

CATEGORY 6 BAR PLACEMENT
 CLEAR SPACING OF BARS > 6 ϕ
 CLEAR COVER > 2 ϕ

TABLE BASED ON ACI 318-02 & ACI 318-05

TENSION LAP SPLICE LENGTH (inches) FOR DEFORMED BARS IN CONCRETE

BAR SIZE	f'c = 3000 psi, fc = 60,000 psi		f'c = 4000 psi, fc = 60,000 psi	
	OTHER BARS	TOP BARS	OTHER BARS	TOP BARS
#3	16	16	13	16
#4	18	23	16	20
#5	22	28	20	25
#6	27	35	23	29
#7	38	49	33	42
#8	43	56	37	48
#9	48	63	42	55
#10	58	76	50	65
#11	71	93	62	80
#14	NOT PERMITTED	NOT PERMITTED	NOT PERMITTED	NOT PERMITTED

$\alpha = 1.0$ FOR OTHER BARS AND 1.3 FOR TOP BARS
 $\beta = 1.0$ FOR UNCOATED BARS
 $\gamma = 0.8$ FOR #6 AND SMALLER AND 1.0 FOR #7 AND LARGER BARS
 $\lambda = 1.0$ FOR NORMAL WEIGHT CONCRETE

CATEGORY 6 BAR PLACEMENT
 CLEAR SPACING OF BARS > 6 ϕ
 CLEAR COVER > 2 ϕ

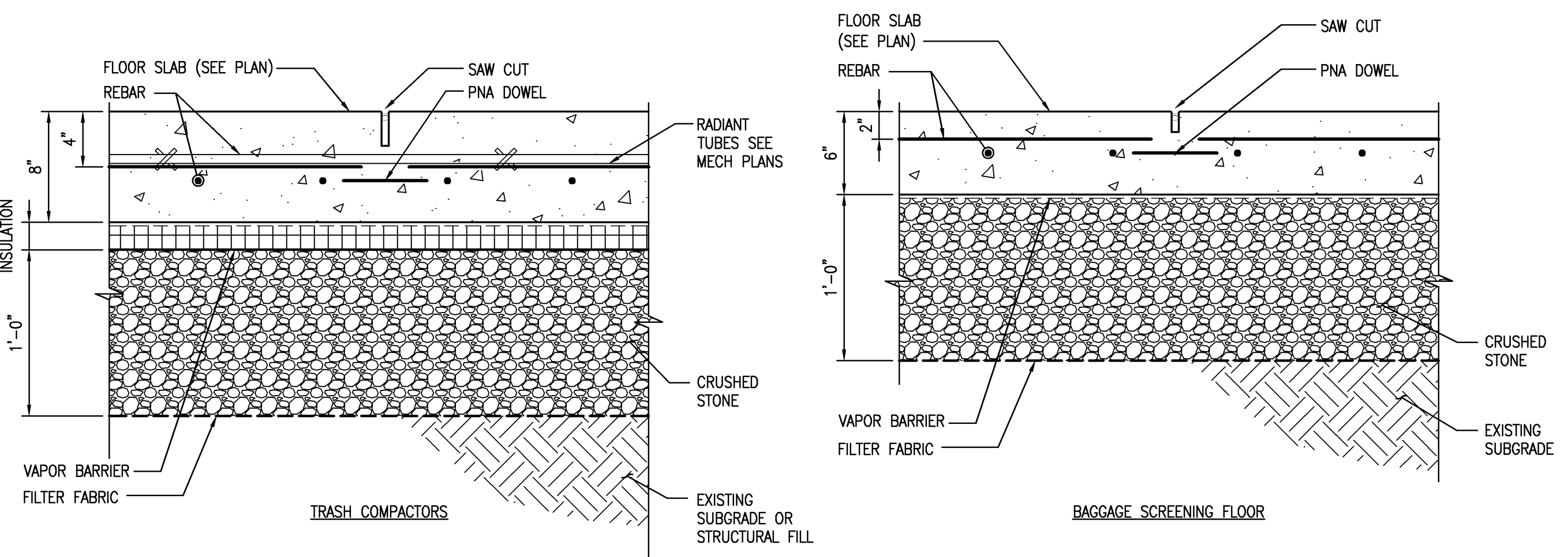
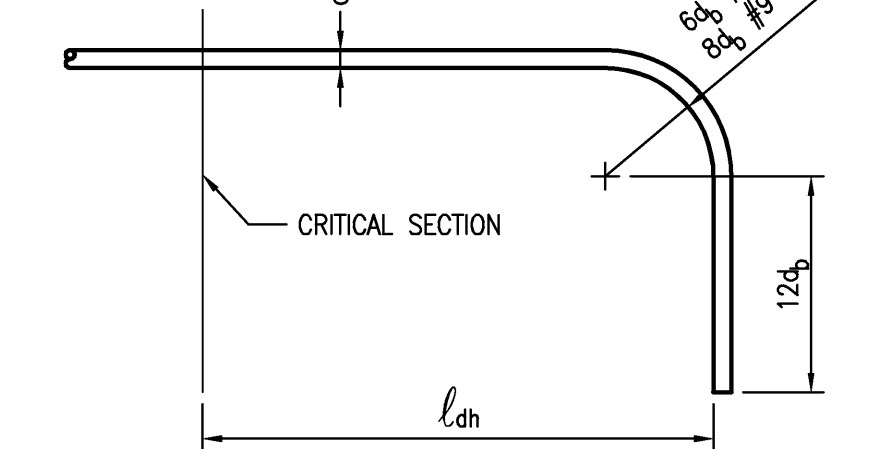
TABLE ASSUMES CLASS B LAP SPLICES
 TABLE BASED ON ACI 318-02 & ACI 318-05

TENSION DEVELOPMENT LENGTH (inches) FOR STANDARD 90° HOOKS

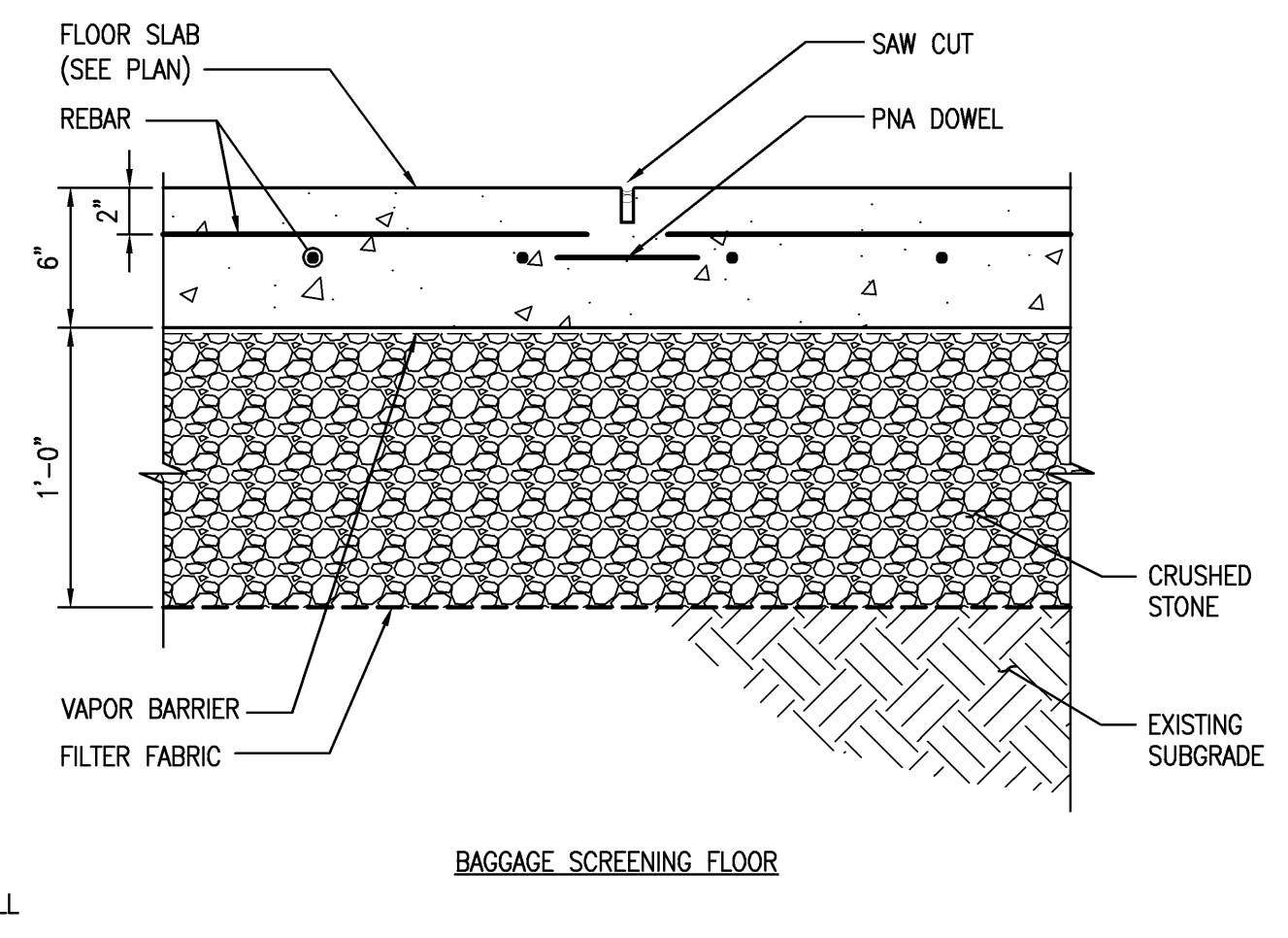
BAR SIZE	f'c (psi)					HOOK LENGTH 12 ϕ
	3000	3500	4000	5000		
#3	6	6	6	6	5	
#4	8	8	7	7	6	
#5	10	10	9	8	8	
#6	12	11	10	9	9	
#7	14	13	12	11	11	
#8	16	15	14	12	12	
#9	18	17	15	14	14	
#10	20	19	17	15	16	
#11	22	21	19	17	17	

$\lambda = 1.0$ FOR NORMAL WEIGHT CONCRETE
 $\beta = 1.0$ FOR UNCOATED BARS

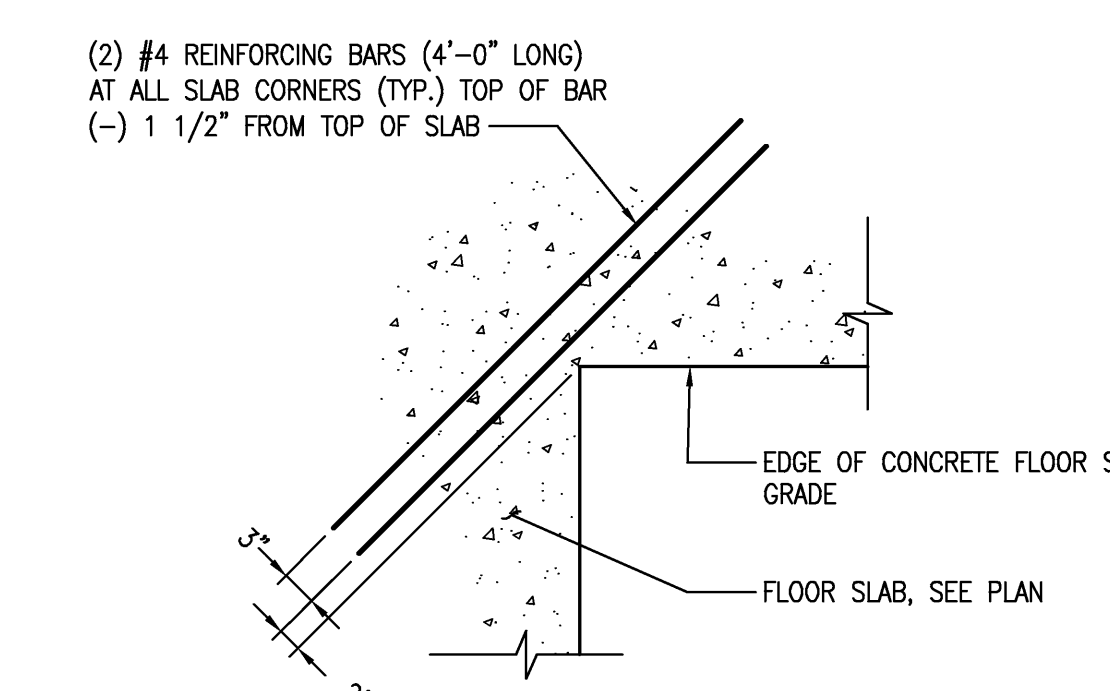
TABLE BASED ON ACI 318-02 & ACI 318-05 SECTION 12.5



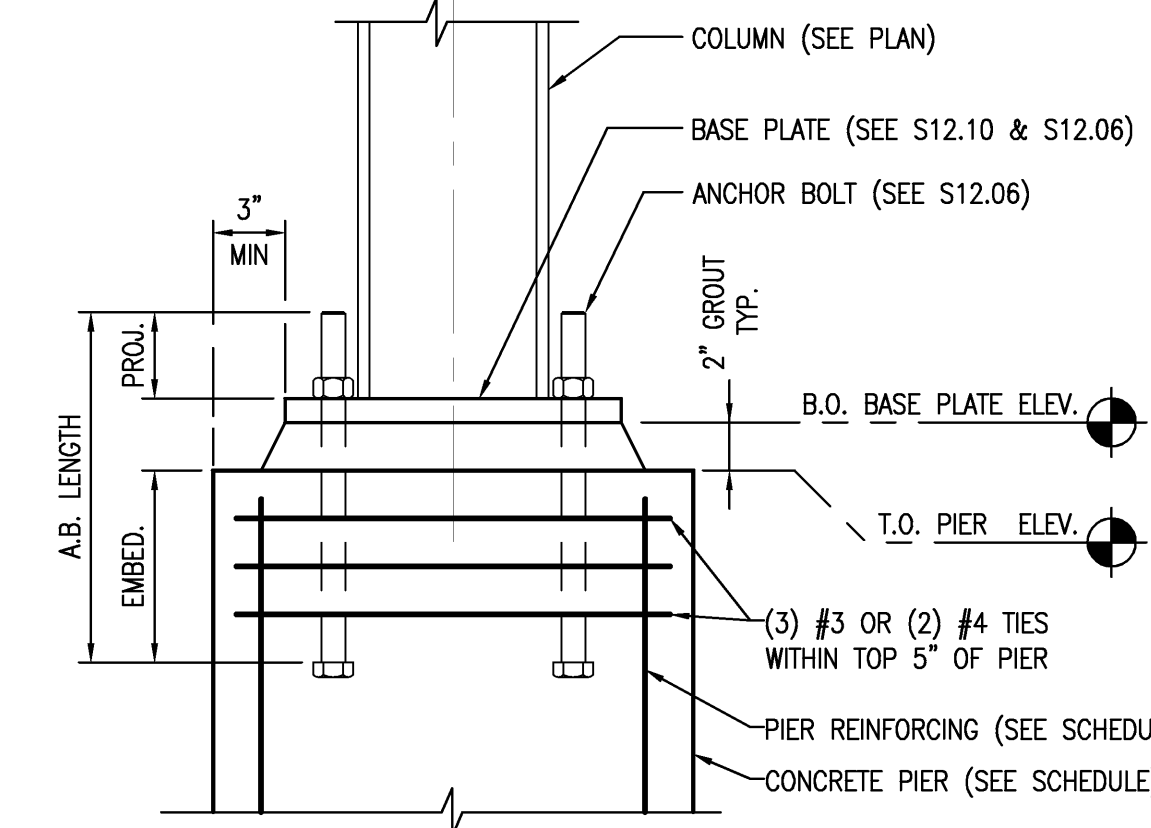
FLOOR DETAIL
SCALE: 1-1/2" = 1'-0" **20**



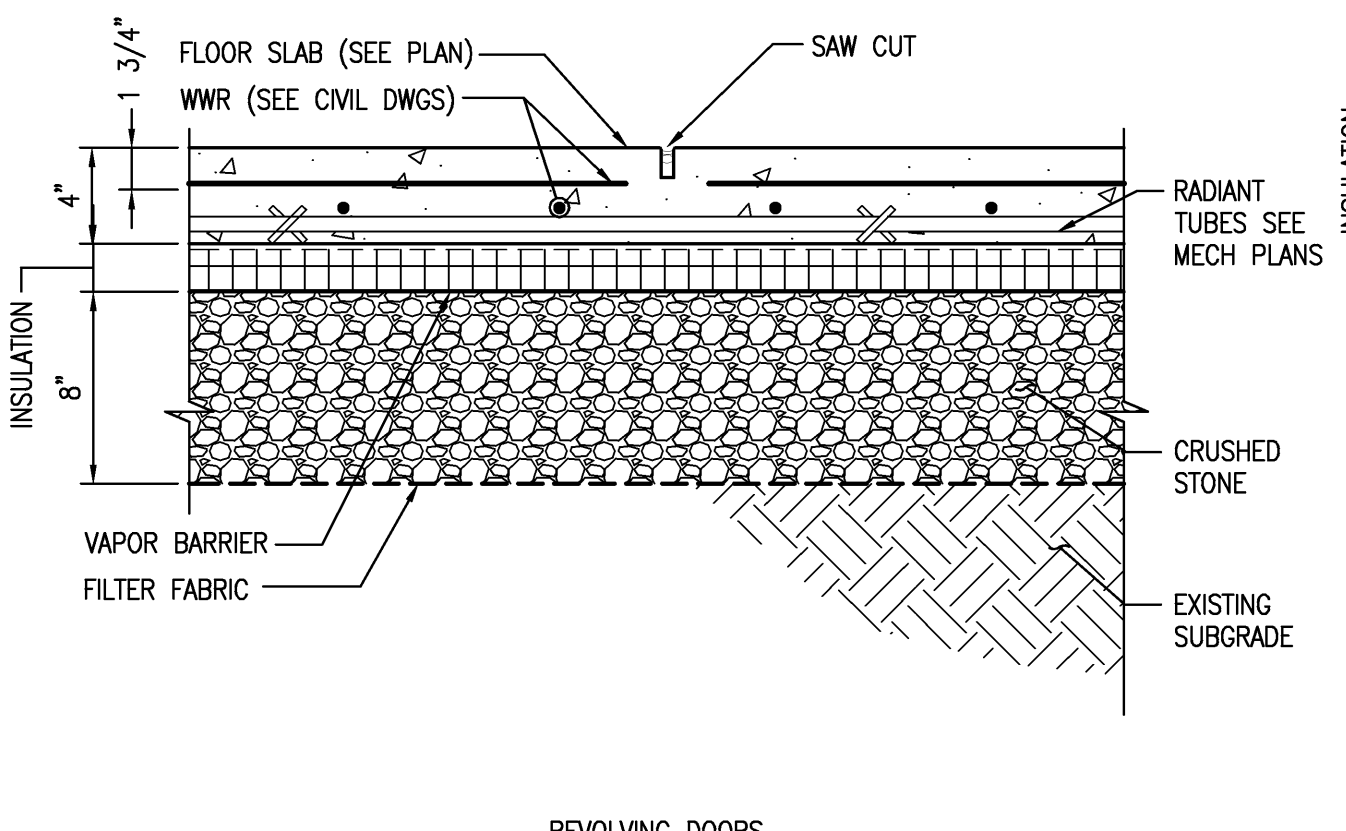
FLOOR DETAIL
SCALE: 1-1/2" = 1'-0" **16**



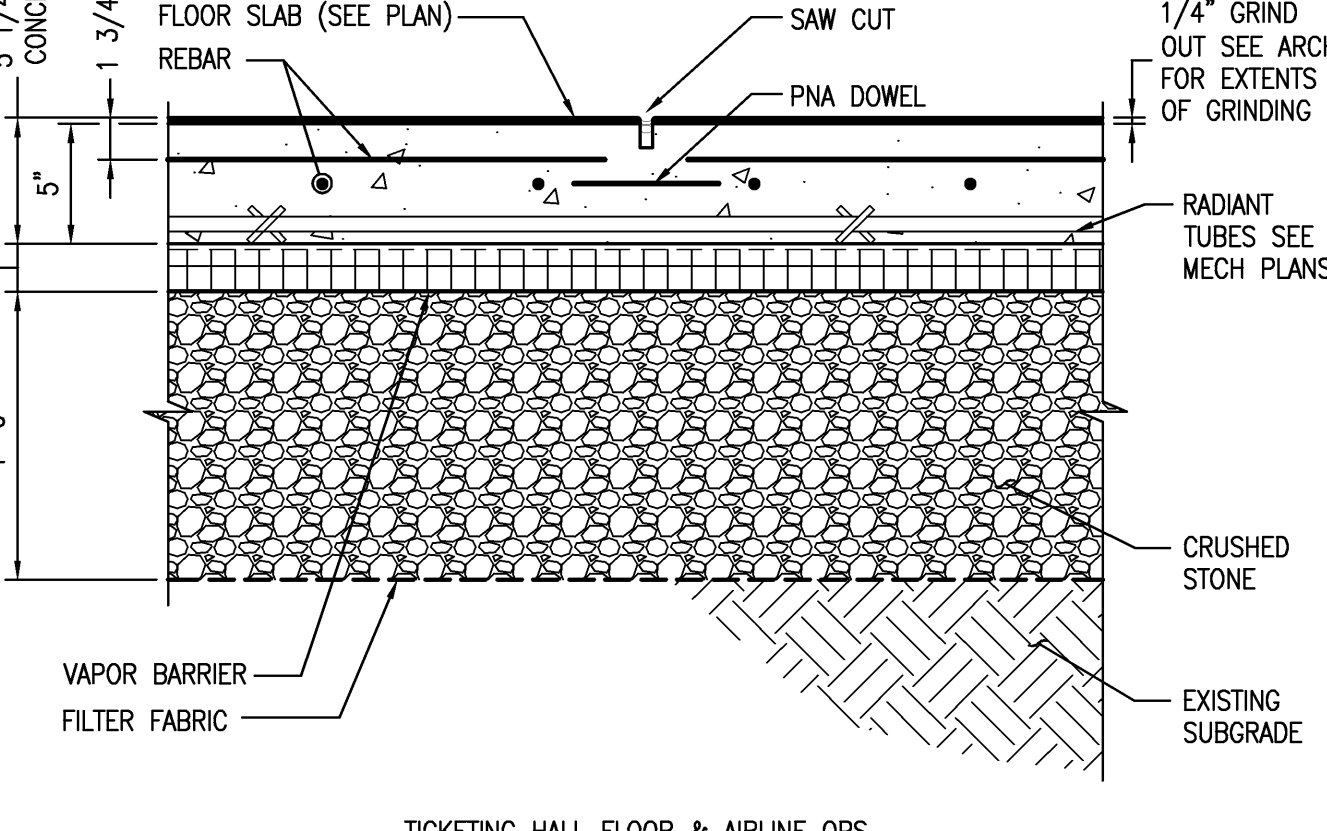
RE-ENTRANT BAR DETAIL
SCALE: 3/4" = 1'-0" **11**



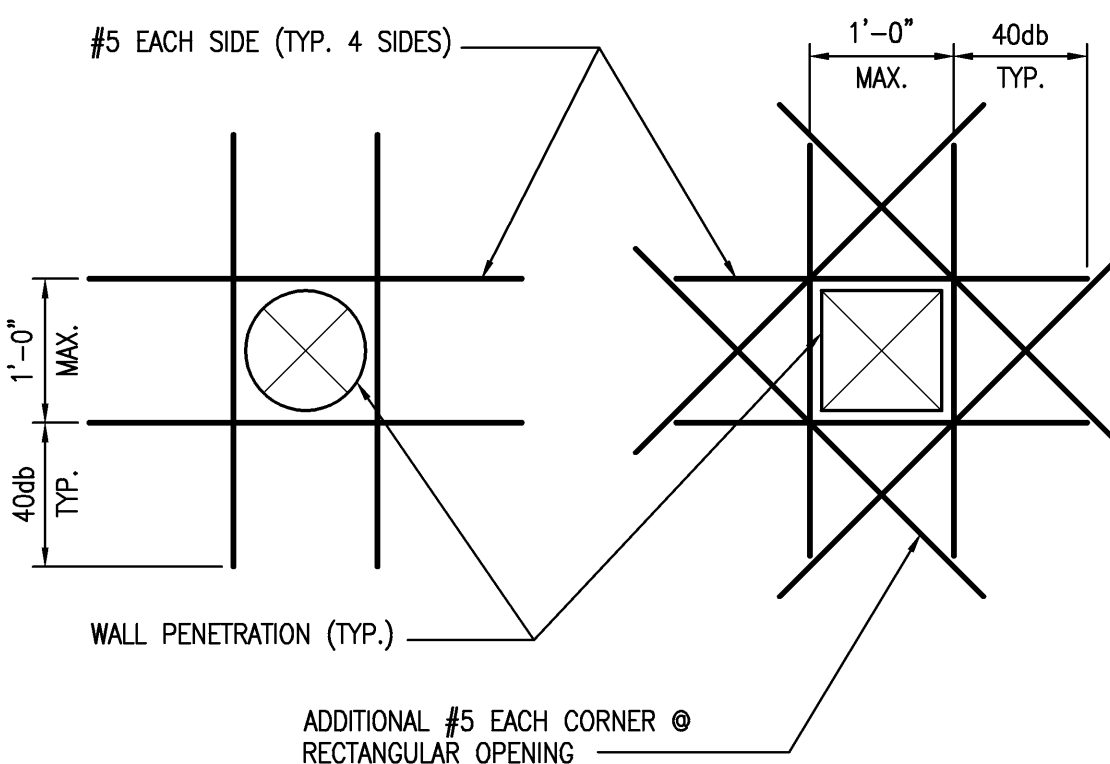
COLUMN / PIER DETAIL
SCALE: 1-1/2" = 1'-0" **5**



FLOOR DETAIL
SCALE: 1-1/2" = 1'-0" **21**



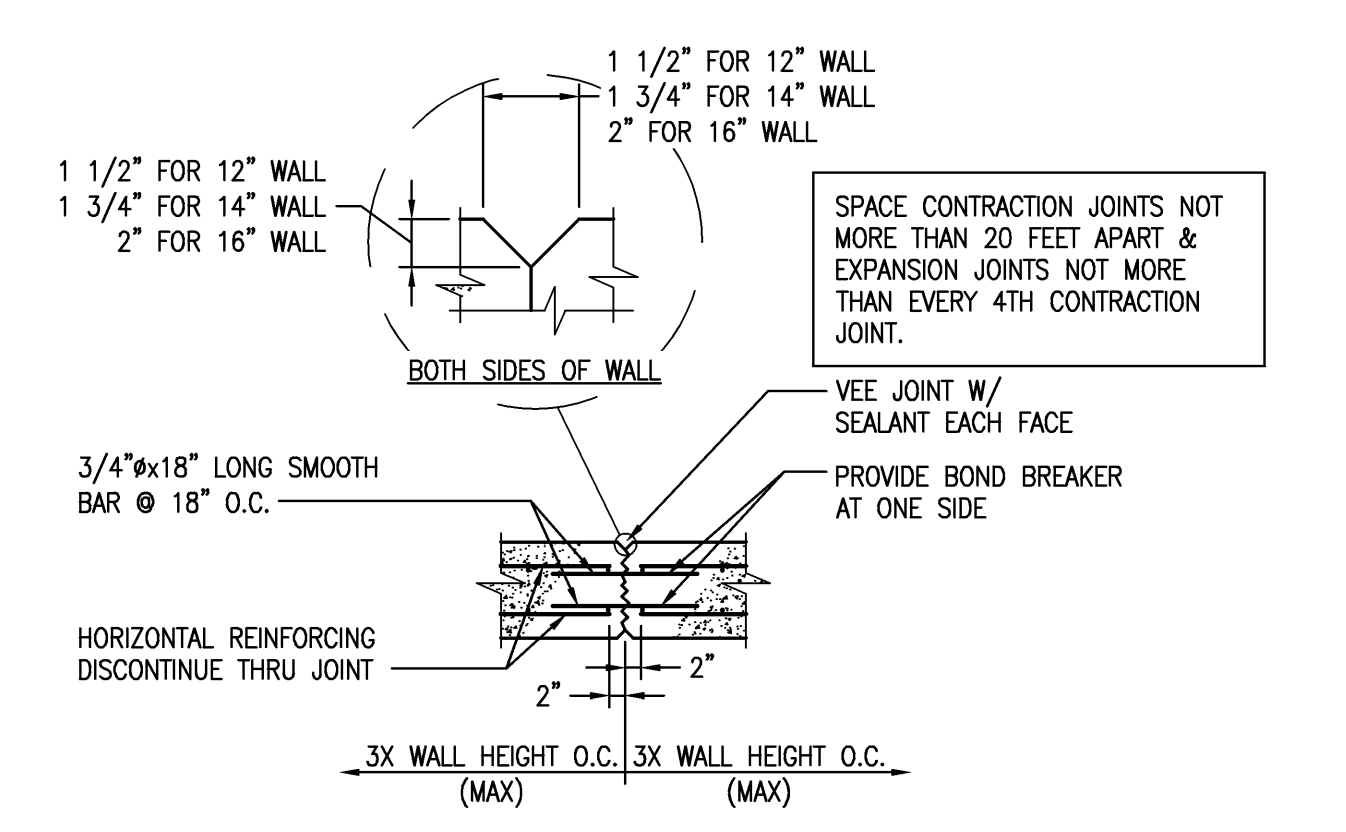
FLOOR DETAIL
SCALE: 1-1/2" = 1'-0" **17**



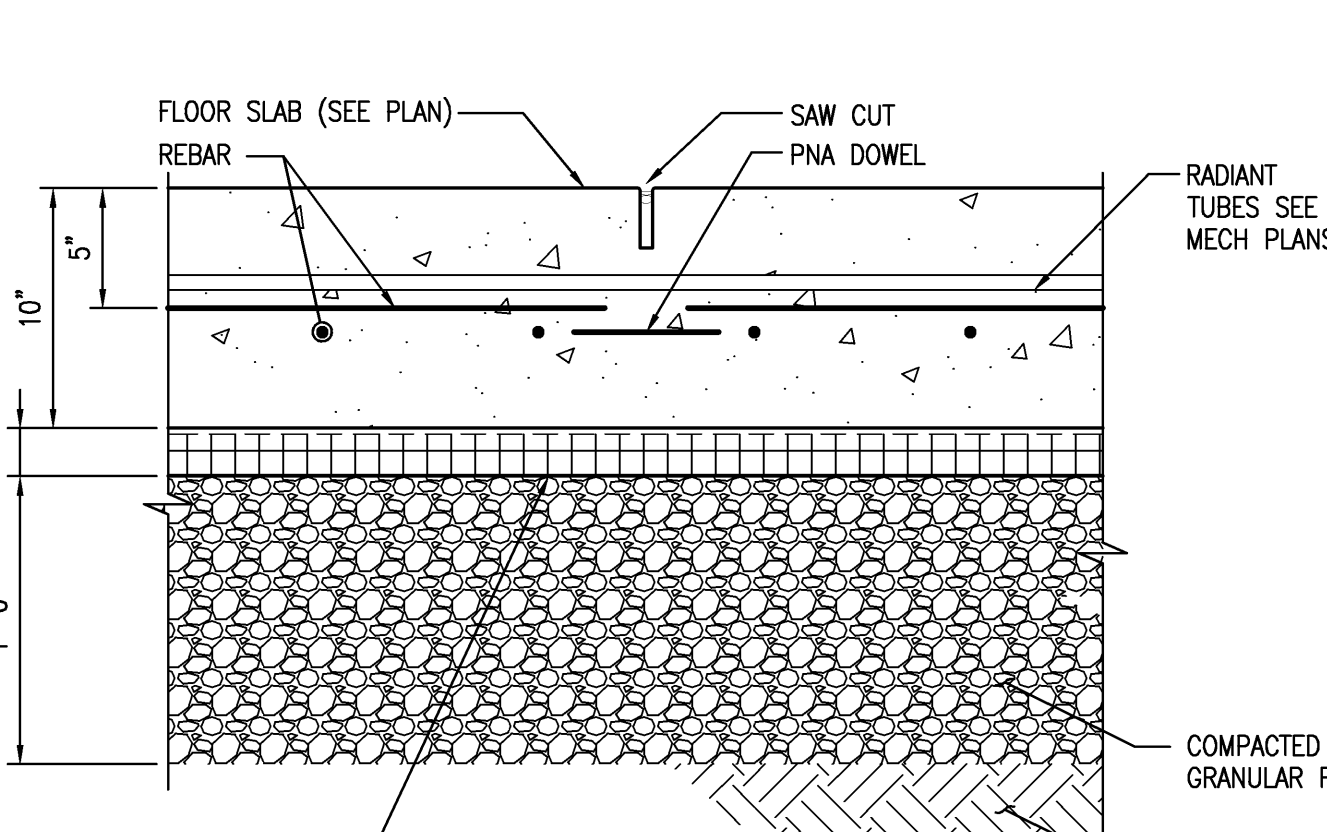
CONC. PENETRATION REINF. DETAILS
SCALE: 3/4" = 1'-0" **12**

NOT USED

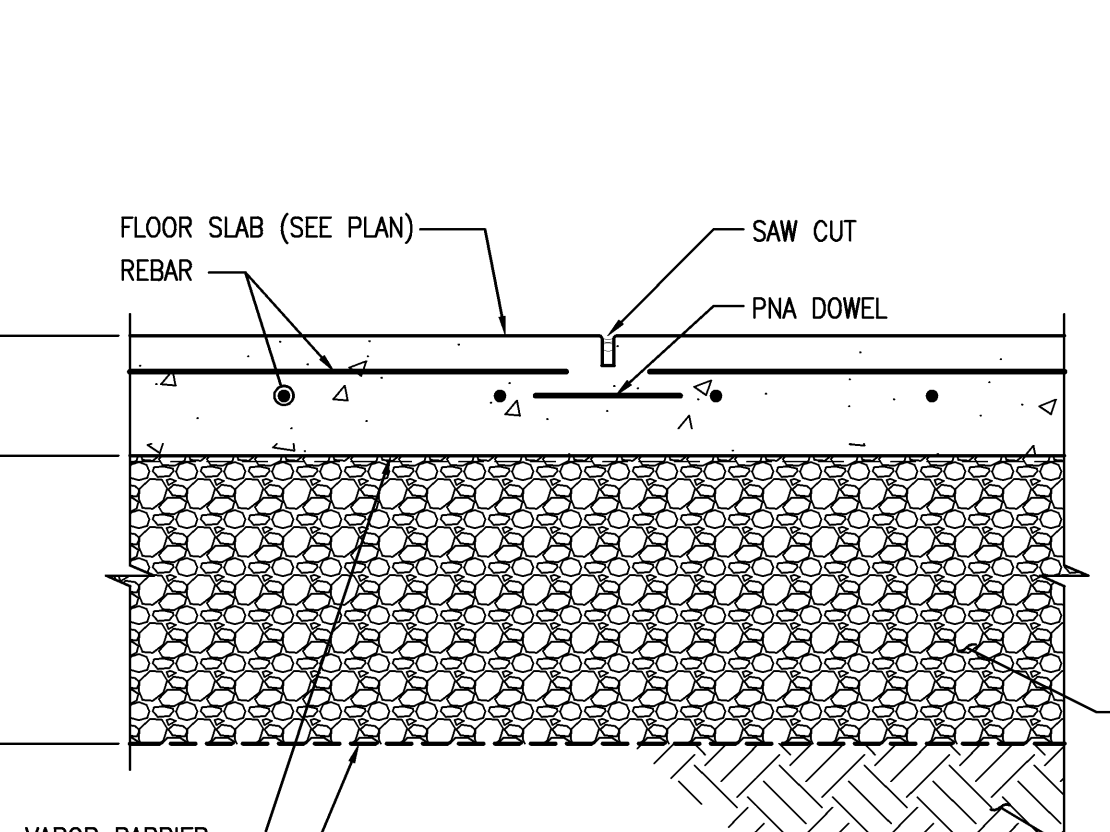
DETAIL
SCALE: 1-1/2" = 1'-0" **6**



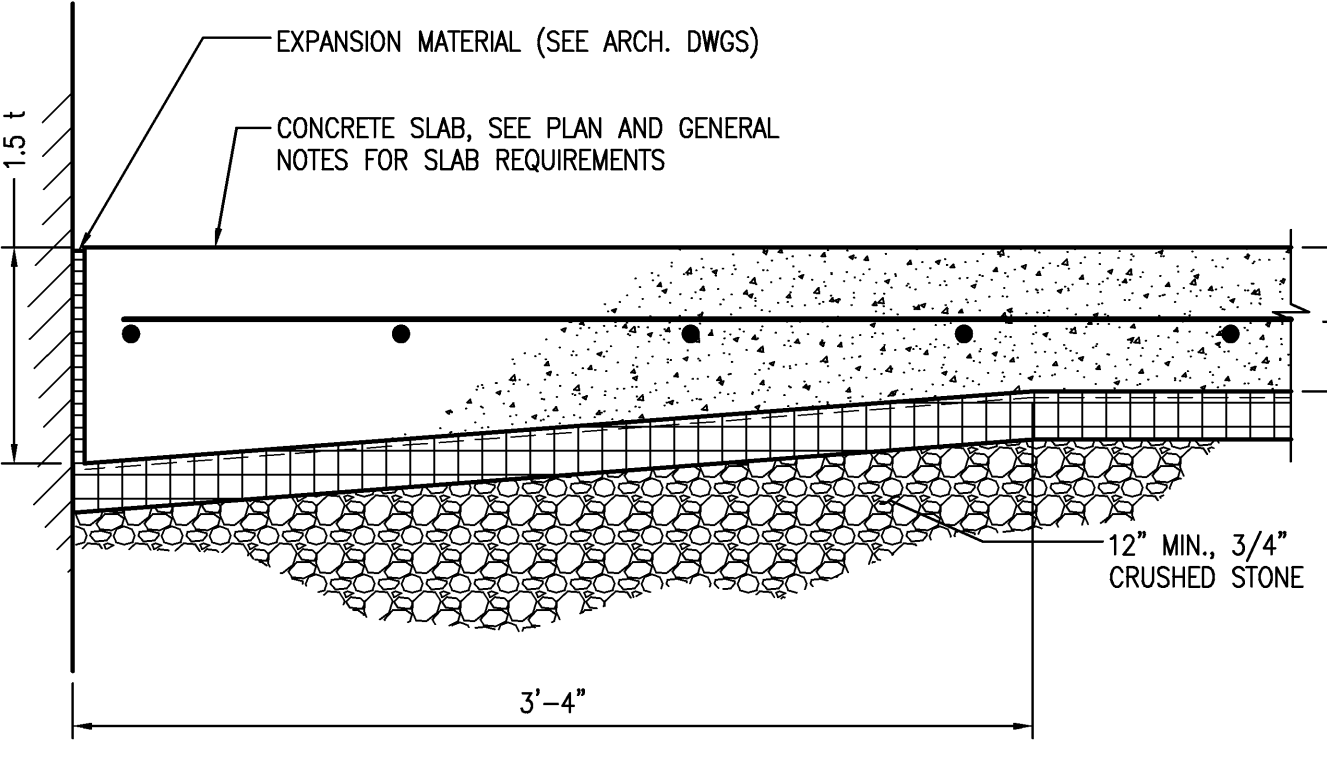
WALL CONTRACTION JOINT DETAIL
SCALE: 1/2" = 1'-0" **22**



FLOOR DETAIL
SCALE: 1-1/2" = 1'-0" **18**

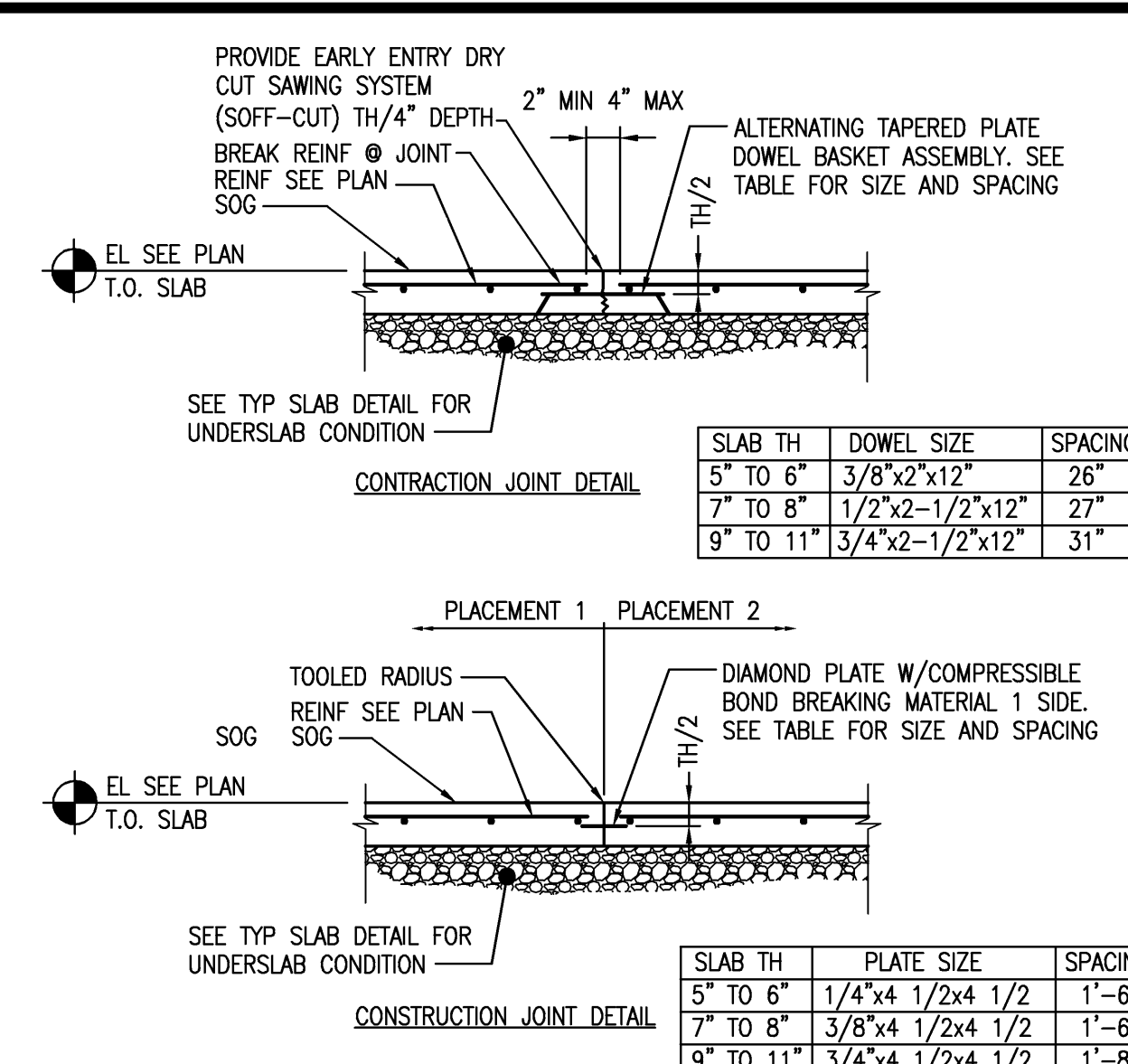


DETAIL
SCALE: 3/4" = 1'-0" **13**

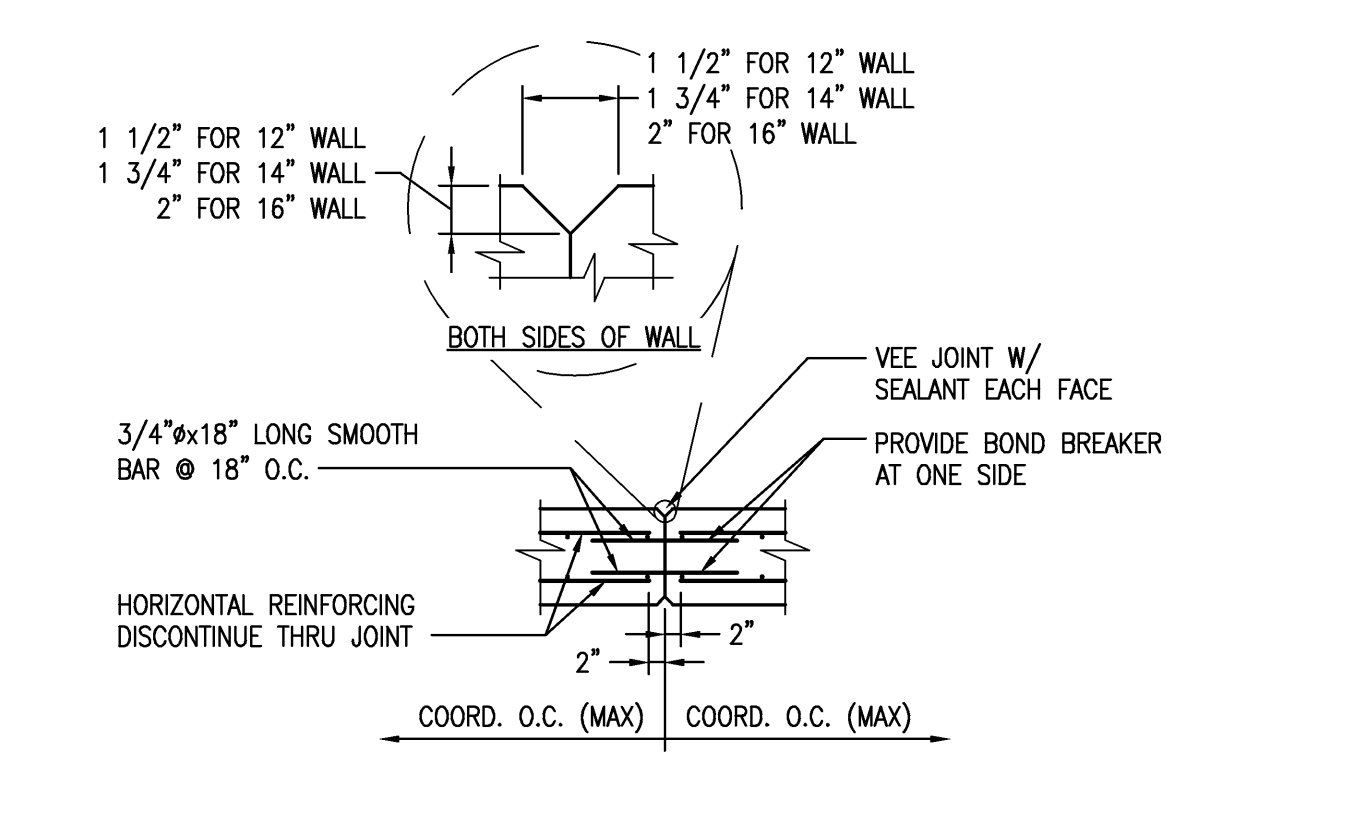


EDGE OF SLAB ON GRADE DETAIL
SCALE: 1-1/2" = 1'-0" **7**

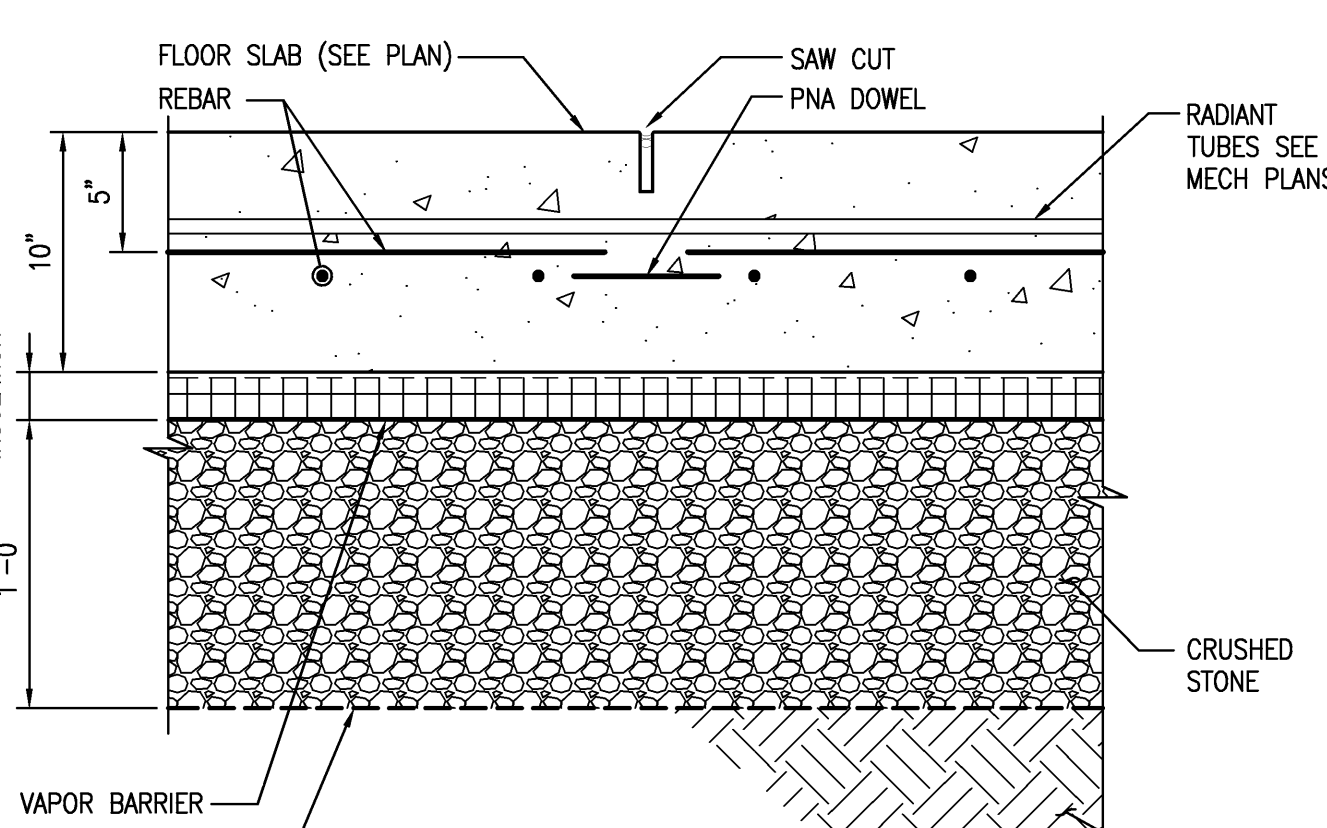
REINFORCING SCHEDULES
SCALE: NO SCALE **1**



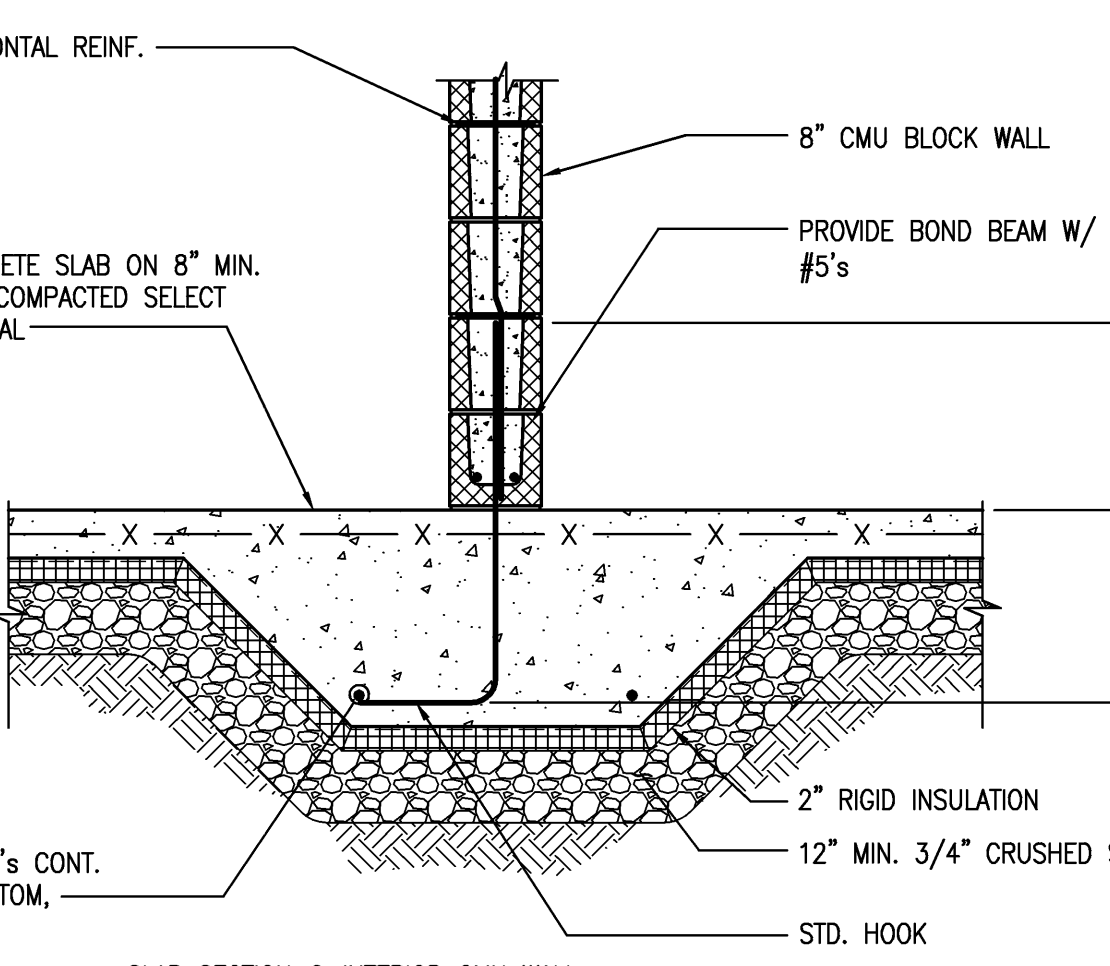
SLAB JOINT DETAILS
SCALE: 1/2" = 1'-0" **2**



WALL CONSTRUCTION JOINT DETAIL
SCALE: 1/2" = 1'-0" **23**

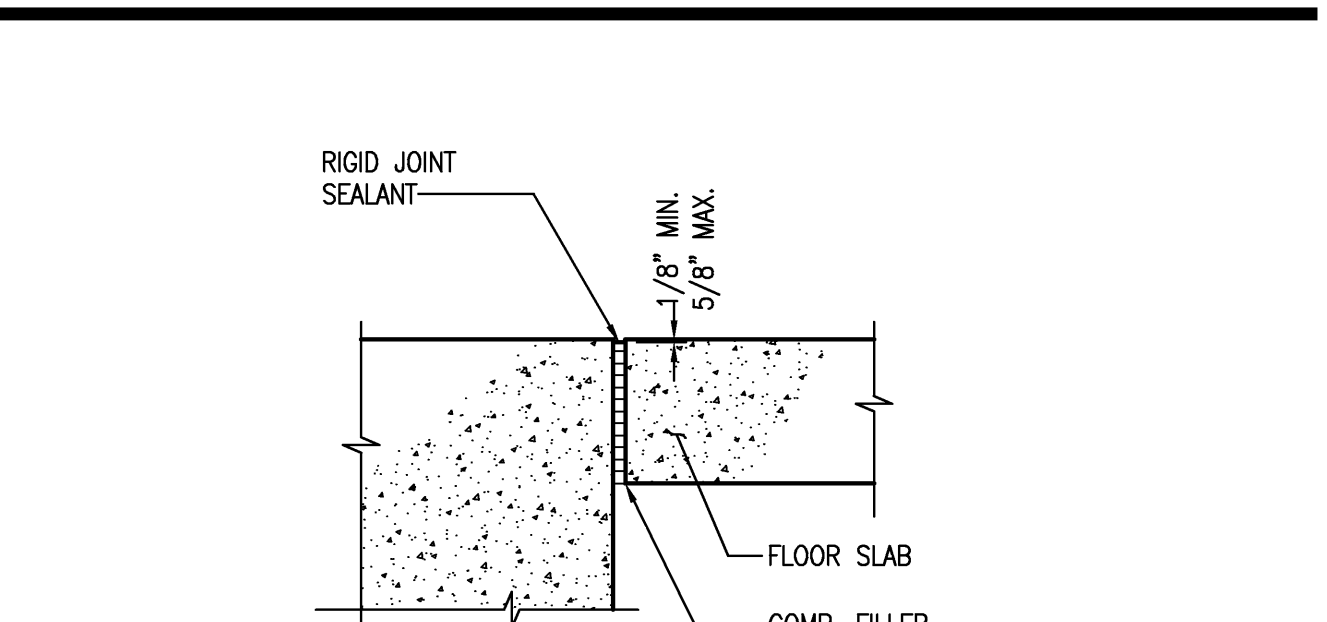


FLOOR DETAIL
SCALE: 1-1/2" = 1'-0" **19**

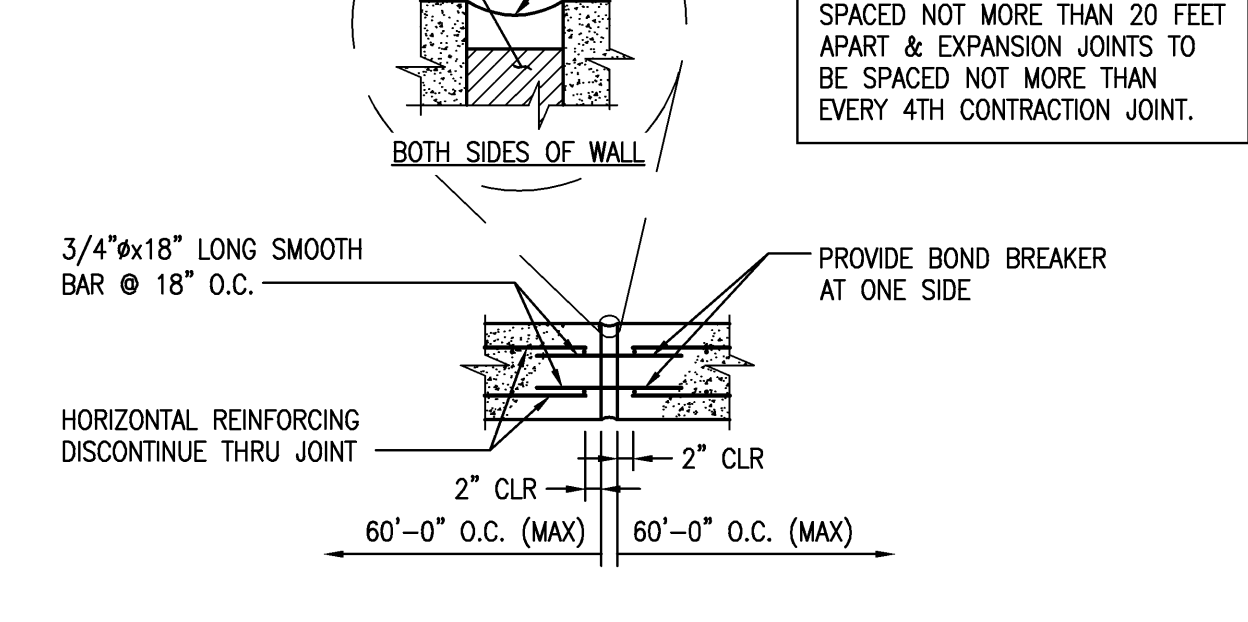


THICKENED SLAB / CMU DETAIL
SCALE: 3/4" = 1'-0" S02.01.04, S02.01.05 **14**

WALL DEPRESSION DETAIL
SCALE: 1/2" = 1'-0" **8**



WALL EXPANSION JOINT DETAIL
SCALE: 1/2" = 1'-0" **3**



SHEET NOTES
 BLOCK COURSING SHOWN IS A GRAPHIC REPRESENTATION ONLY AND IS NOT INTENDED FOR CONSTRUCTION. REFERENCE ARCHITECTURAL DRAWINGS FOR COURSING ELEVATION.
 REFERENCE ARCHITECTURAL DRAWINGS FOR ALL INSULATING AND WATERPROOFING REQUIREMENTS.
 REFERENCE S02.01.00 FOR ALL UNDERSLAB DRAINAGE REQUIREMENTS.
 REFERENCE SHEETS S12.01 & S12.02 FOR TYPICAL FOUNDATION AND CONCRETE REINFORCING STANDARDS.

Portland International Jetport
 1001 Westbrook Street
 Portland, Maine 04102

Gensler

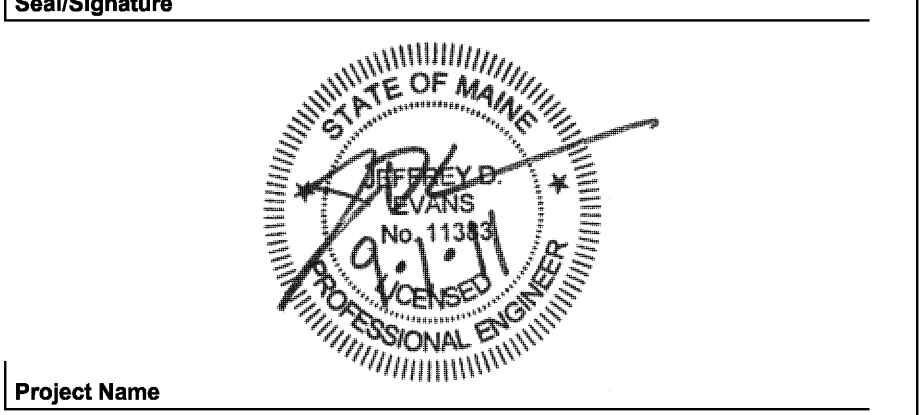
oest ASSOCIATES, INC.
 363 Oyster Road, South Portland, ME 04106
 P: (207) 781-9799 F: (207) 774-1246 www.oest.com
 engineers • architects • surveyors • construction managers

amec

343 Gorham Road, South Portland ME 04106
 P: (207) 761-1770 F: (207) 774-1246 www.amec.com

THESE DRAWINGS ARE ISSUED FOR CONSTRUCTION AND REFLECT ALL AMEC ISSUED BULLETINS AND SKETCHES.

Issue	Date & Issue Description	By	Check
-- 01	07/11/08	JDE	--
-- 02	09/22/08	JDE	--
-- 03	12/03/08	JDE	--
-- 04	01/23/09	JDE	--
-- 05	10/26/09	JDE	--
△ 06	02/03/10	JDE	--
△ 07	09/01/11	JDE	--
145	07/09/11	JDE	--
	ISSUED FOR CONSTRUCTION		



Project Name
 PWM Terminal Enhancement
 Project Number
 08-8395-000
 CAD File Name
 T:\3330101\SHEETS\S12.01.DWG
 Description
 TYPICAL DETAILS - FOUNDATION

Scale
 AS NOTED

S12.01

©2009 Gensler