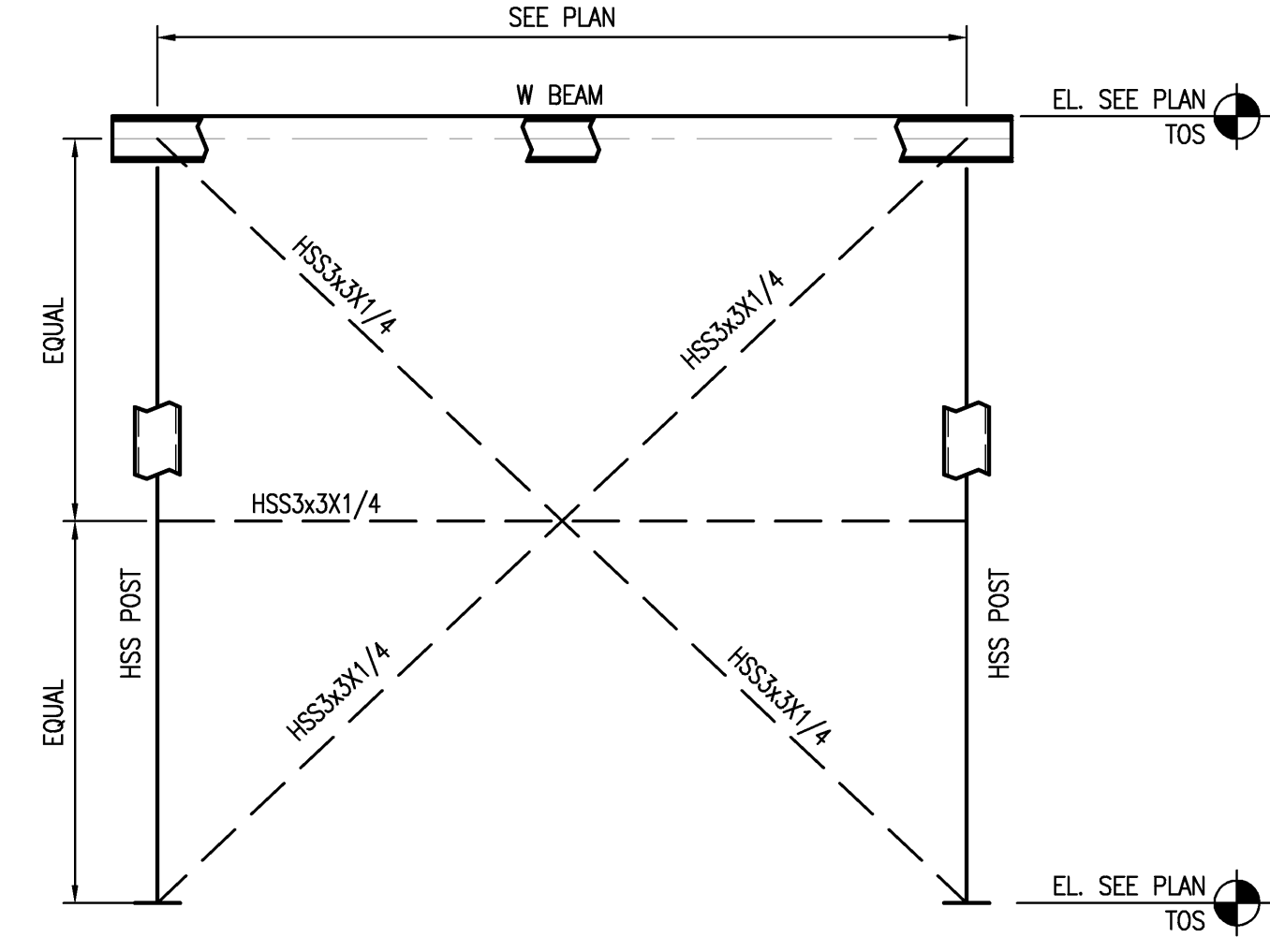
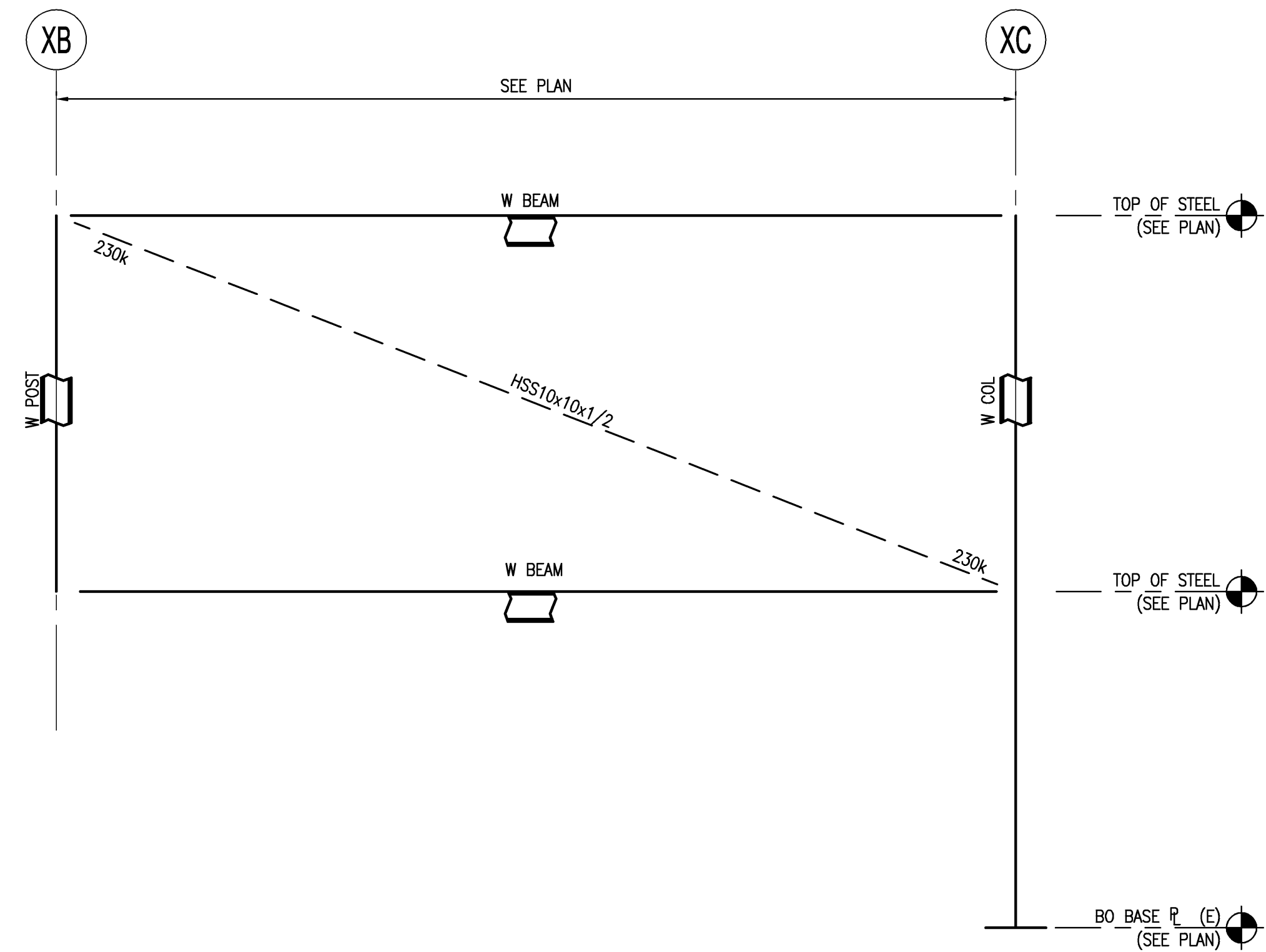


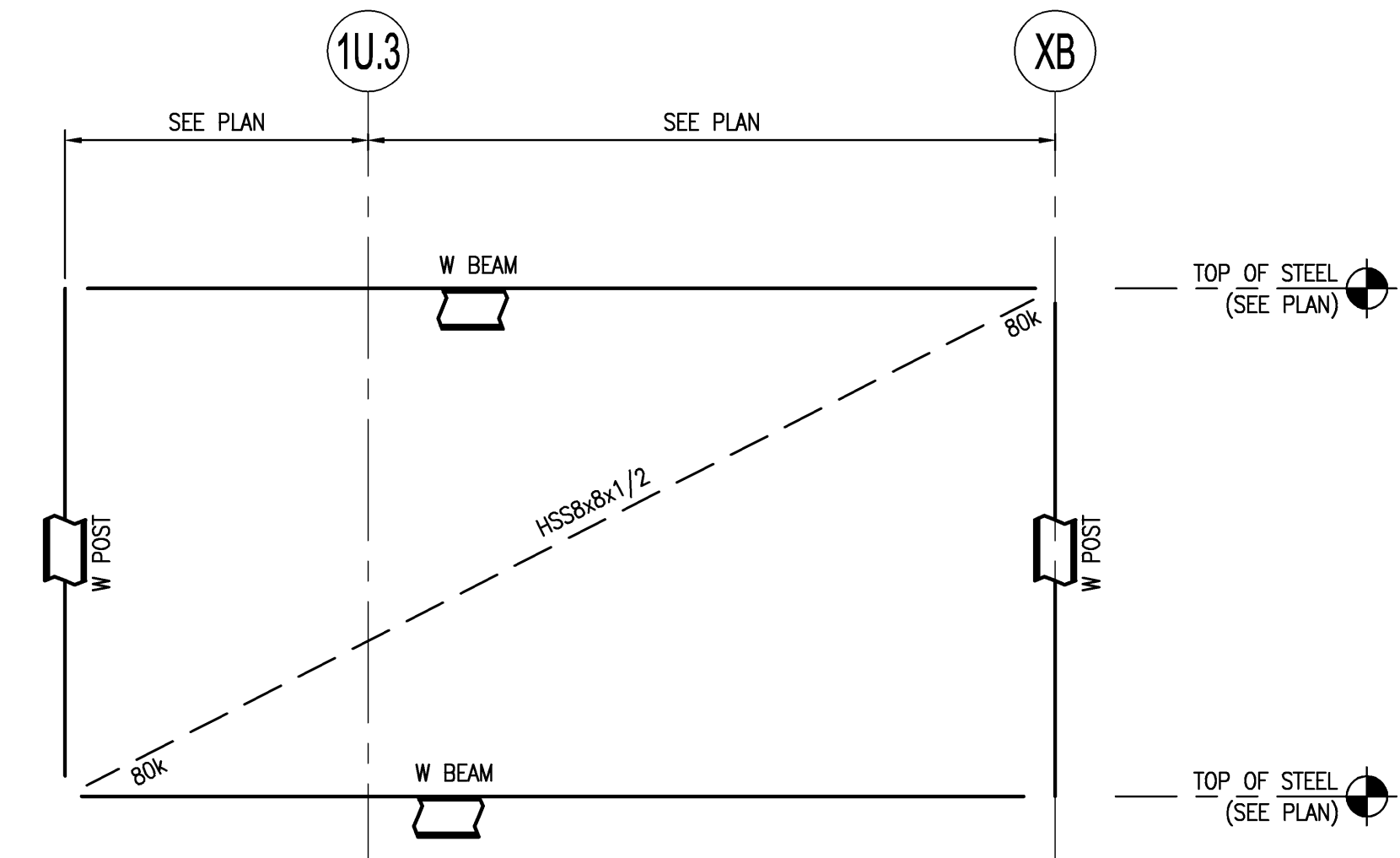
FRAMING ELEV. STAIR #14 10
SCALE: 1/2" = 1'-0" S02.03.04



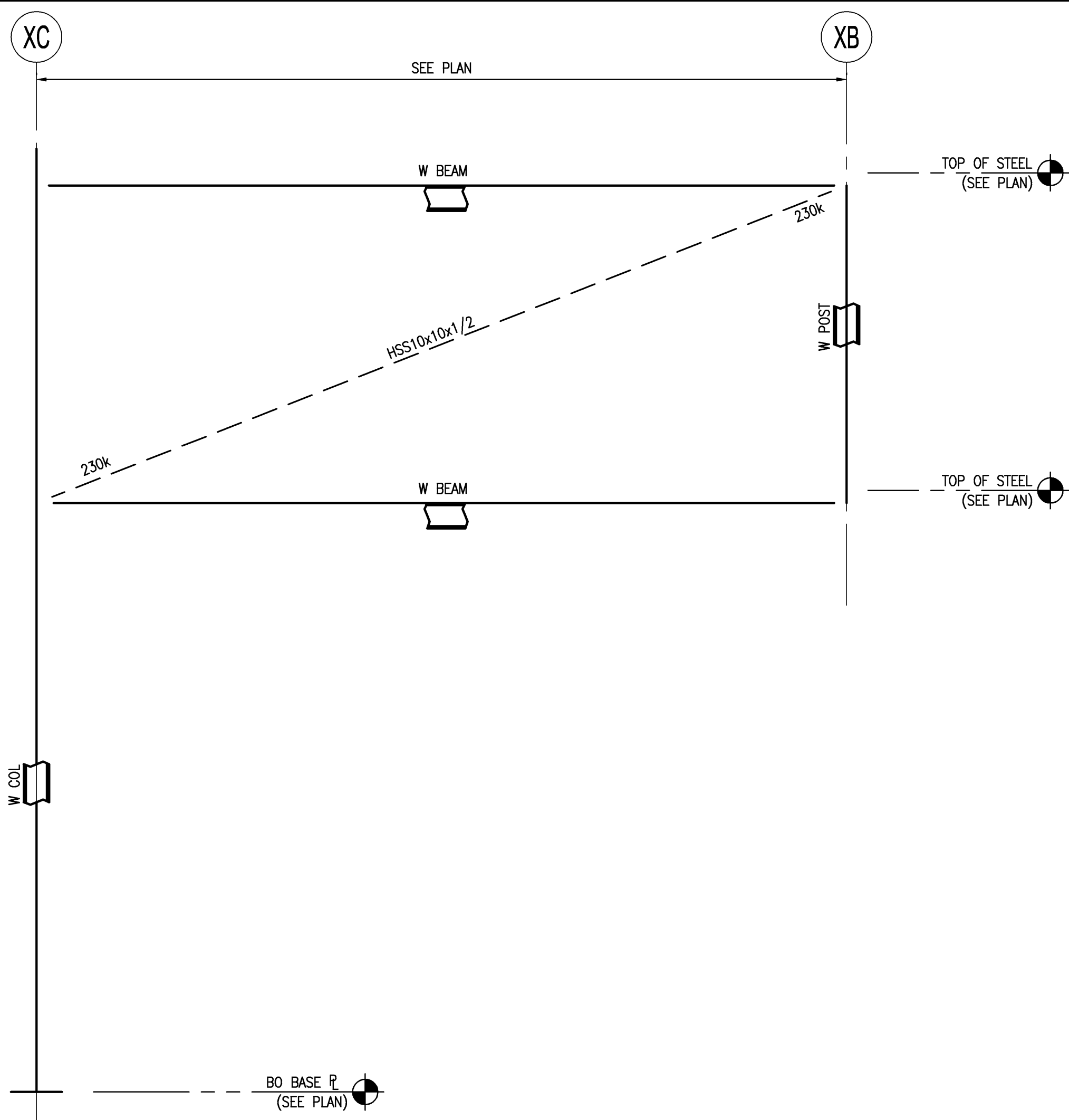
FRAMING ELEV. STAIR #14 9
SCALE: 1/2" = 1'-0" S02.03.04



FRAMING ELEVATION 4
SCALE: 1/4" = 1'-0" S02.05.06



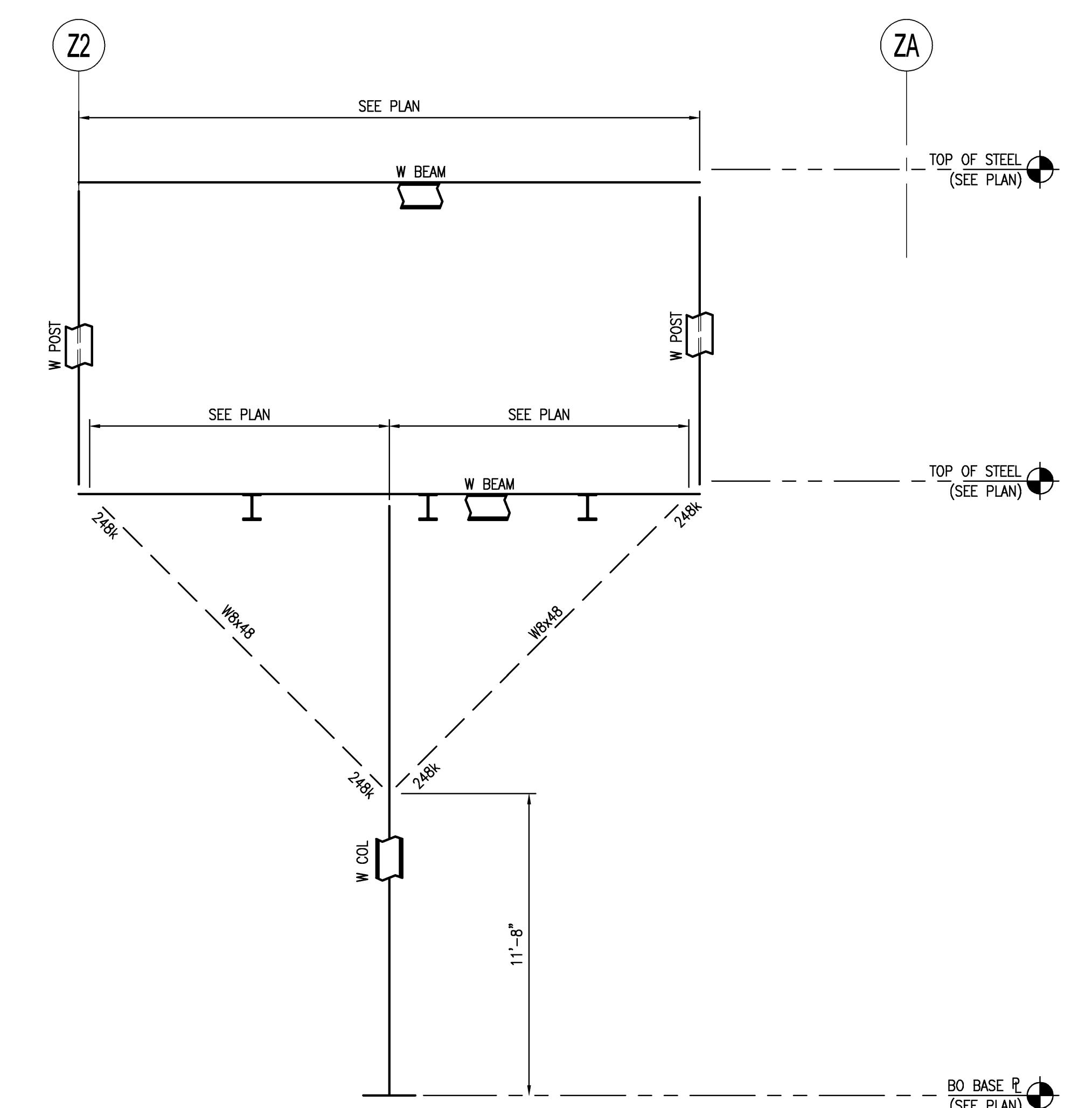
FRAMING ELEVATION 5
SCALE: 1/4" = 1'-0" S02.05.06



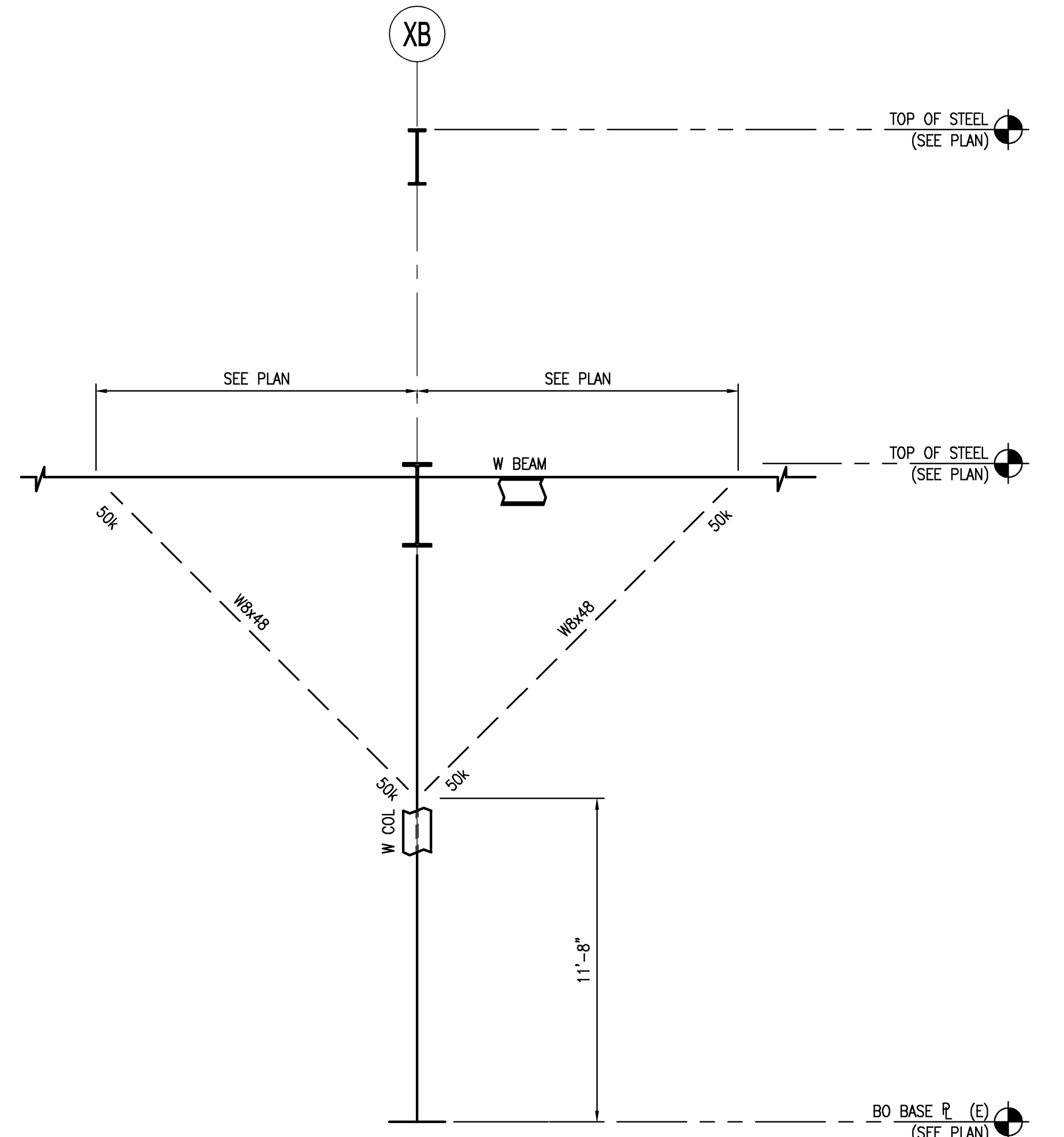
FRAMING ELEVATION 6
SCALE: 1/4" = 1'-0" S02.05.06

FRAMING ELEVATION 8
SCALE: 1/2" = 1'-0"

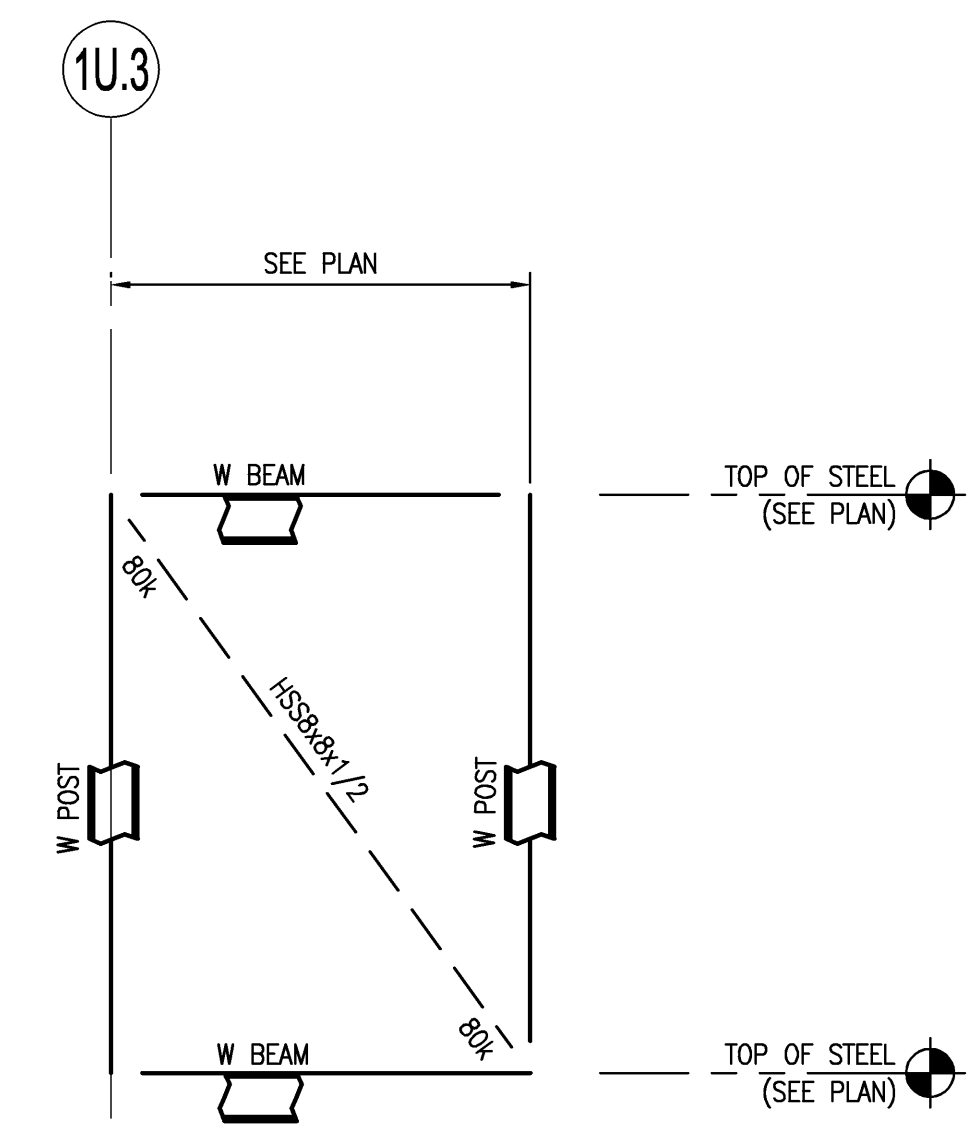
FRAMING ELEVATION 7
SCALE: 1/2" = 1'-0"



FRAMING ELEVATION 1
SCALE: 1/4" = 1'-0" S02.04.06



FRAMING ELEVATION 2
SCALE: 1/4" = 1'-0" S02.04.06



FRAMING ELEVATION 3
SCALE: 1/4" = 1'-0" S02.05.06

SHEET NOTES
12X (EXAMPLE) INDICATES MEMBER END REACTION IN KIPS.

Portland International Jetport
1001 Westbrook Street
Portland, Maine 04102

Gensler

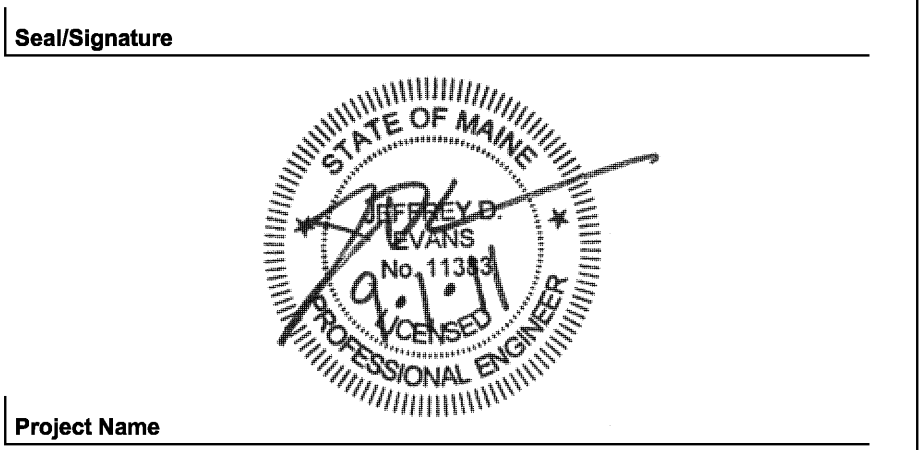
oest ASSOCIATES, INC.
engineers - architects - surveyors - construction managers

amec

343 Gorham Road, South Portland ME 04106
P: (207) 761-1770 F: (207) 774-1246 www.amec.com

THESE DRAWINGS ARE ISSUED FOR CONSTRUCTION AND REFLECT ALL AMEC ISSUED BULLETINS AND SKETCHES.

Issue	Date	Issue Description	By	Check
--	01	01/23/09	JDE	--
--	02	95% CONSTRUCTION DOCUMENTS	JDE	--
--	02	10/26/09	JDE	--
145	03	ISSUED FOR PERMIT	JDE	--
145	03	09/01/11	JDE	--
		ISSUED FOR CONSTRUCTION		



Project Name: PWM Terminal Enhancement
Project Number: 08.6395.000
CAD File Name: T:\5330101\SHEETS\S09.02.DWG
Description: FRAMING ELEVATIONS

Scale: 1/4" = 1'-0"

S09.02

©2009 Gensler