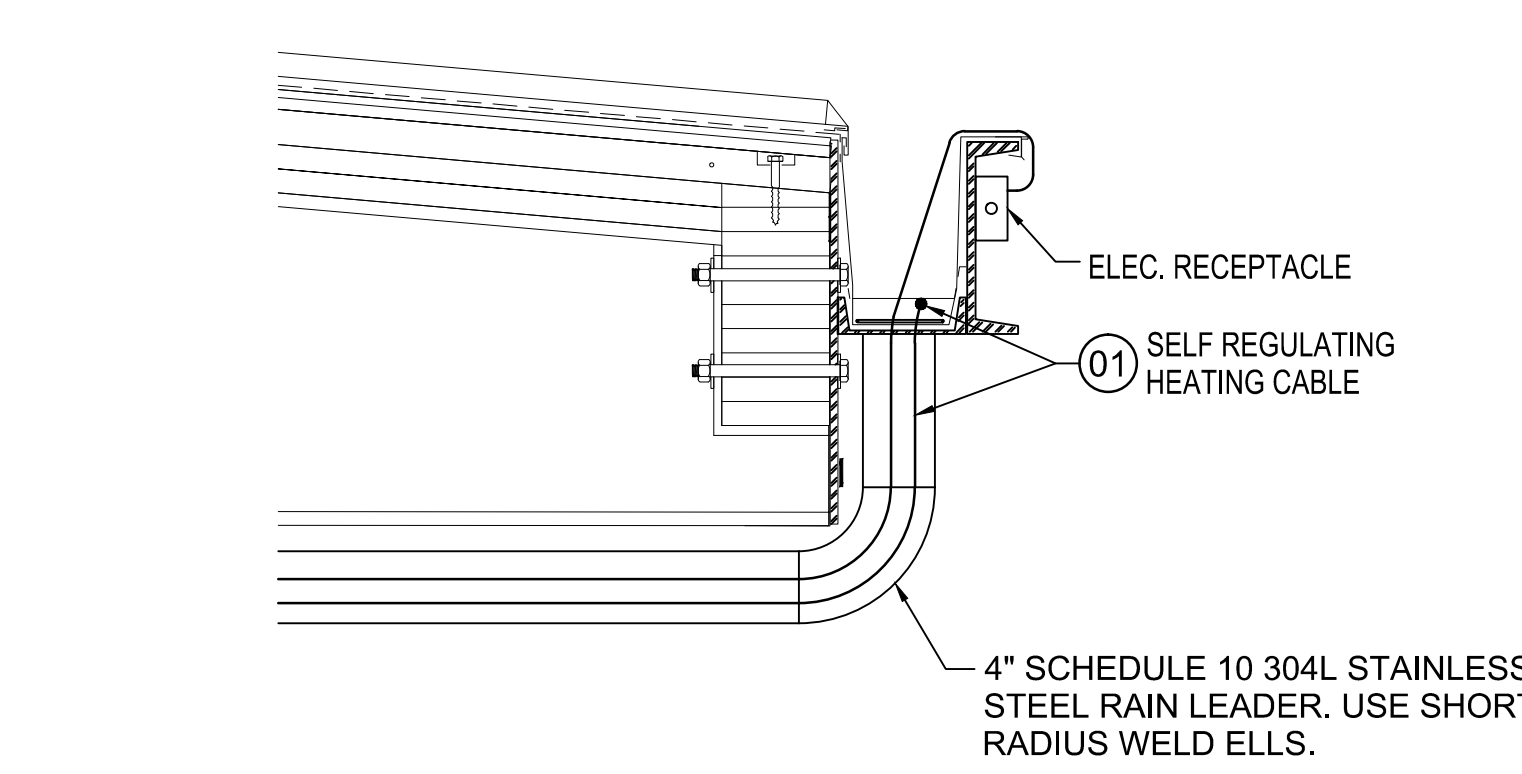


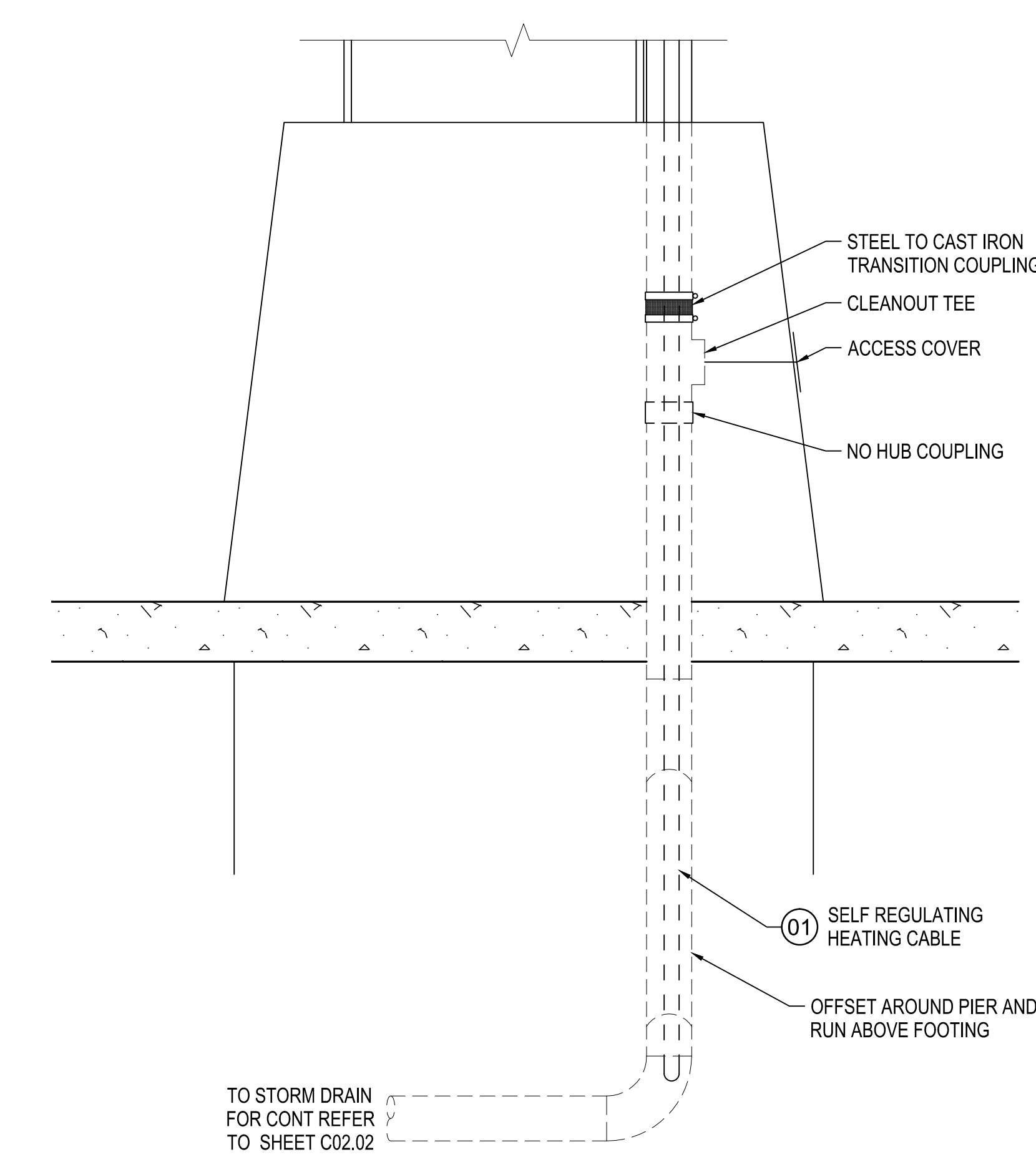
**CANOPY HEAT TRACE LAYOUT**  
SCALE: NOT TO SCALE

**5**



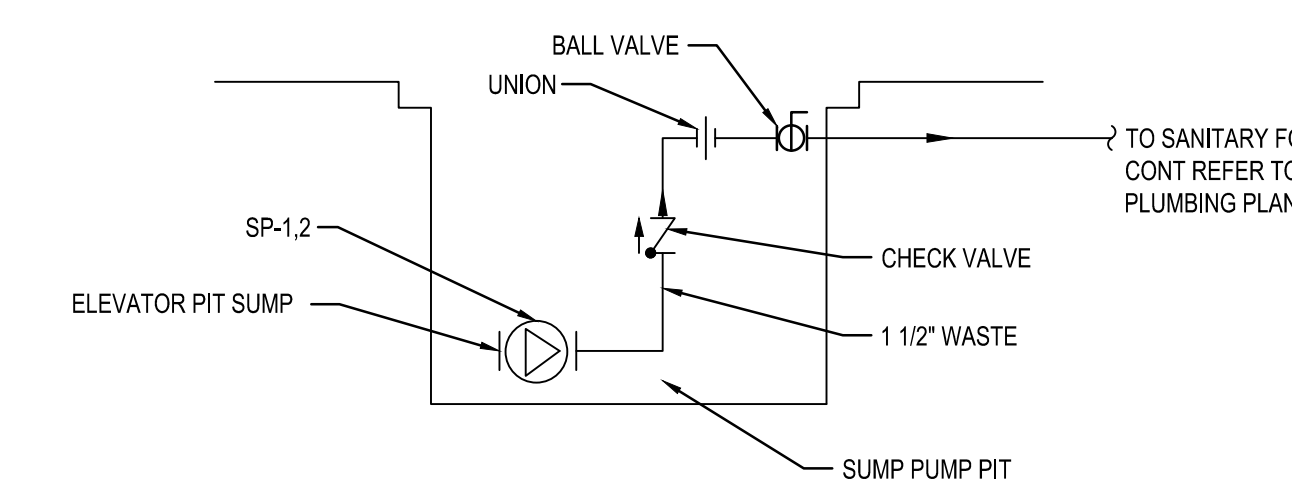
**HEAT TRACE DETAIL @ GUTTER**  
SCALE: NOT TO SCALE

**1**



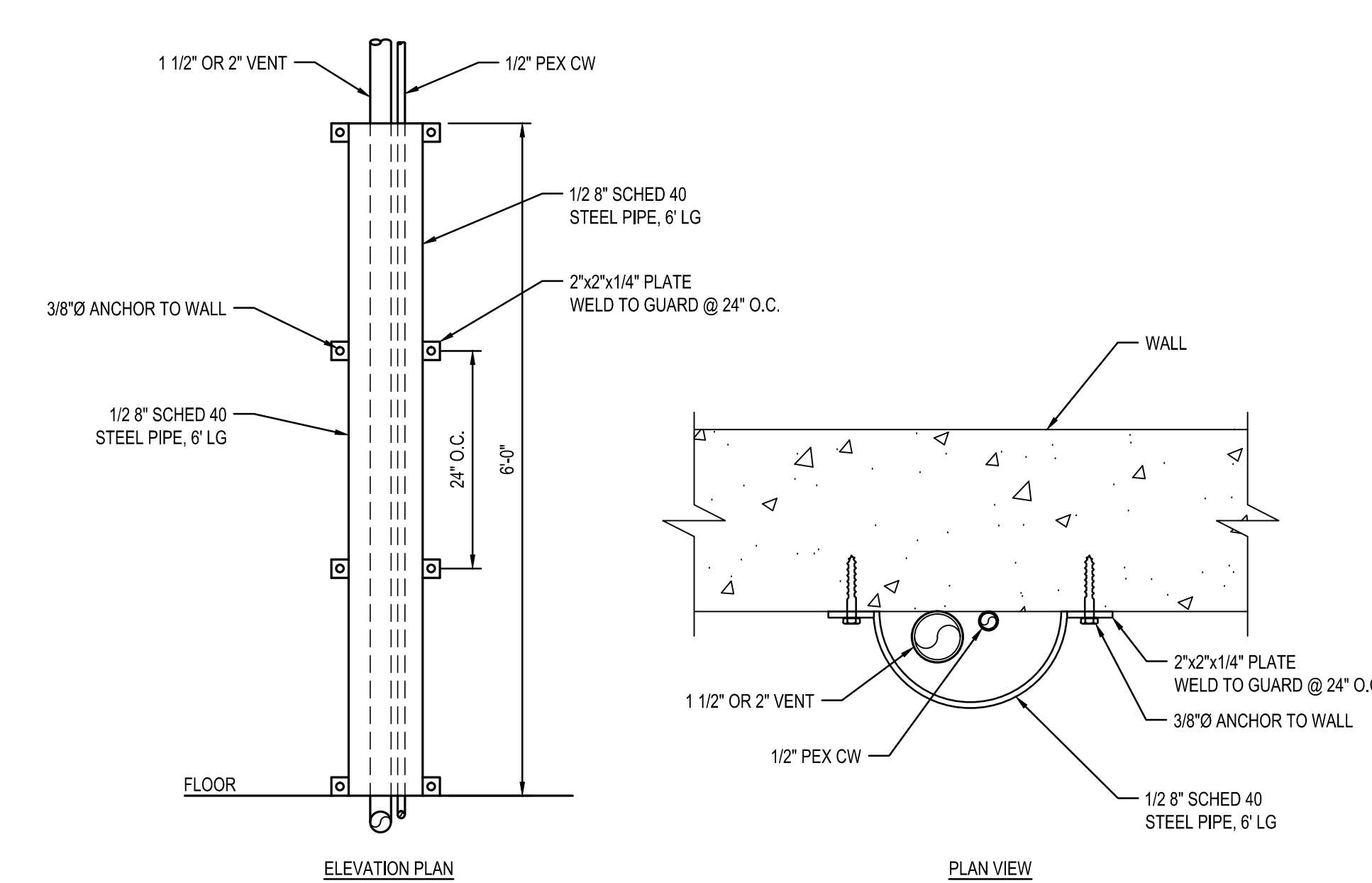
**HEAT TRACE DETAIL @ BASE**  
SCALE: NOT TO SCALE

**2**



**ELEVATOR PIT SUMP PUMP DETAIL**  
SCALE: NOT TO SCALE

**3**



**BAGGAGE MAKEUP PIPE GUARD DETAIL**  
SCALE: NOT TO SCALE

**4**

**SHEET NOTES**

01 SR TRACE EASY HEAT SELF REGULATING HEATING CABLE, CATALOG NO. SR22J, NOMINAL 2W/FT., 277V, 1 PHASE. RUN IN BASE OF RAIN GUTTER AND LOOP DOWN RAIN LEADER TO 4" BELOW GRADE.

**Portland International Jetport**  
1001 Westbrook Street  
Portland, Maine 04102

**Gensler**  
2020 K Street, NW  
Suite 200  
Washington, DC 20006  
Telephone 202.721.5200  
Facsimile 202.872.8587

**nest ASSOCIATES, INC.**  
343 Gorham Road, South Portland, ME 04106  
P: (207) 761-1770 F: (207) 774-1246 www.nest.com  
engineers • architects • surveyors • construction managers

**amec**  
343 Gorham Road, South Portland ME 04106  
P: (207) 761-1770 F: (207) 774-1246 www.amec.com

THESE DRAWINGS ARE ISSUED FOR CONSTRUCTION AND REFLECT ALL AMEC ISSUED BULLETINS AND SKETCHES.

Issue	Date & Issue Description	By	Check
01	12/03/08	KLM	JS
02	01/23/09	CM	JS
03	10/26/09	PWZ	JS
04	09/01/11	PWZ	JS

**GENERAL NOTES**

A SEE SHEET P00.00 FOR LEGEND AND GENERAL NOTES.

Seal/Signature

Project Name  
P12.23 Terminal Enhancement

Project Number  
00.0395.000

CAD File Name  
T:\0330101\Sheets\P12.23.dwg

Description  
PLUMBING DETAILS

Scale  
NOT TO SCALE

**P12.23**