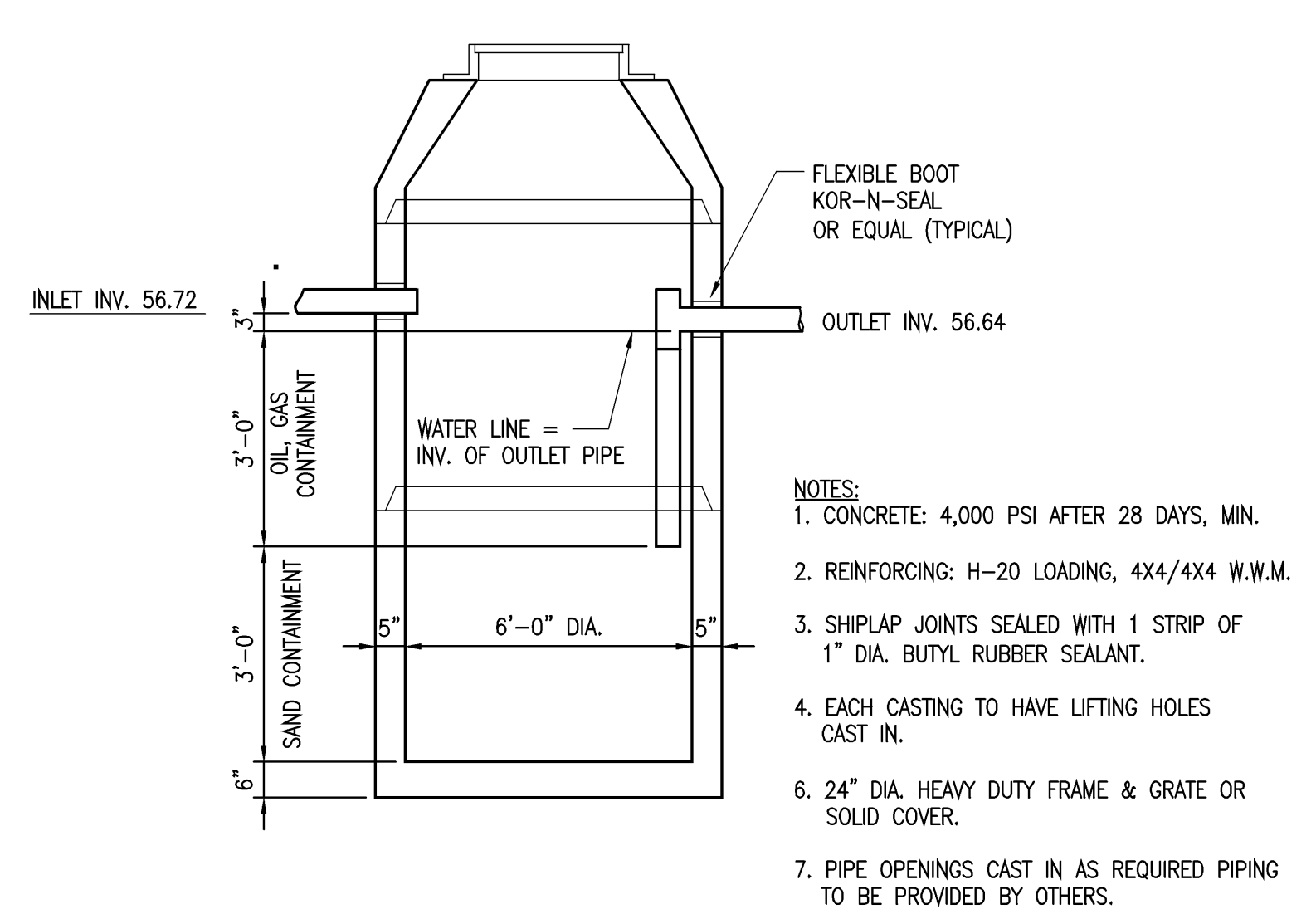
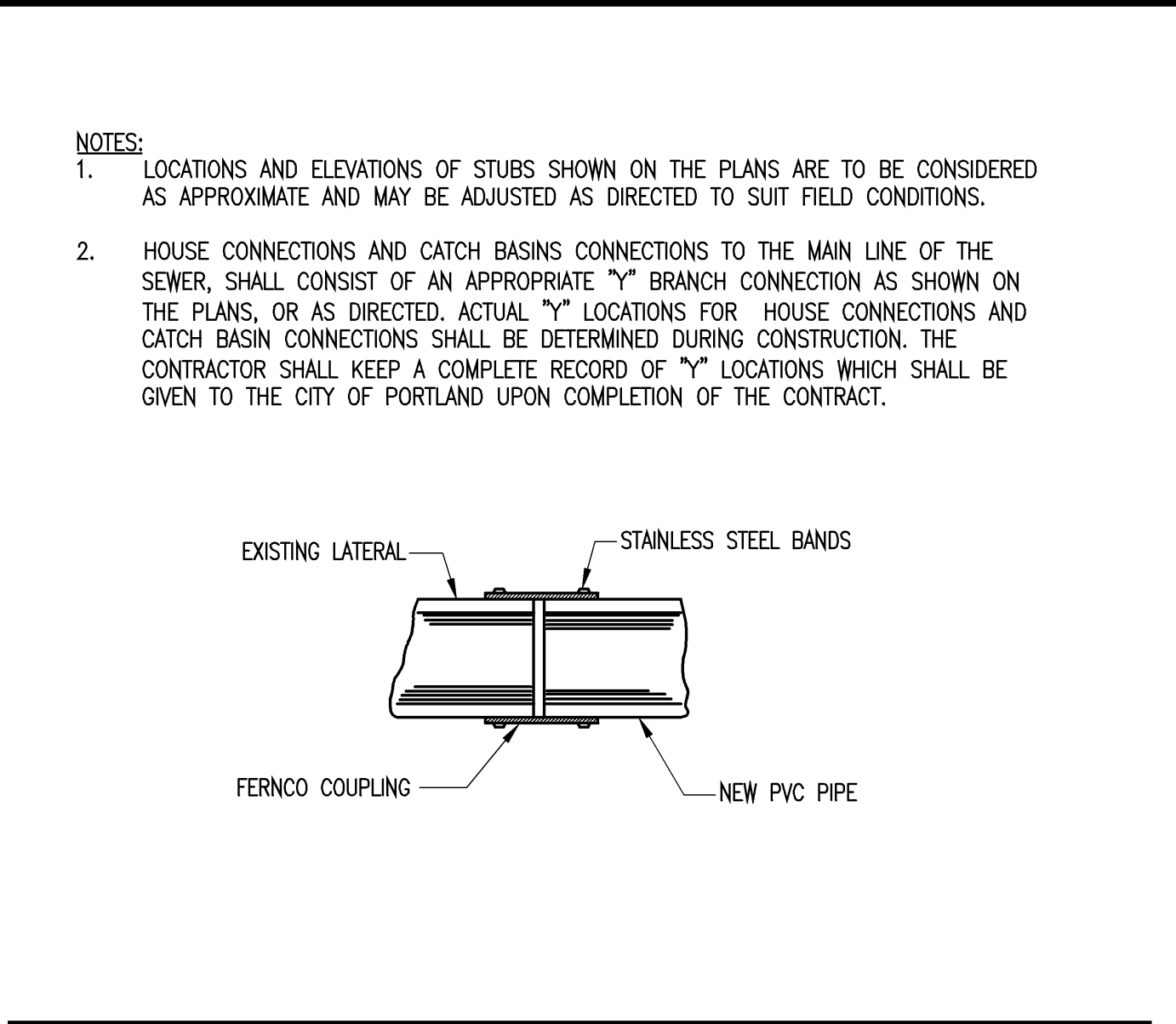


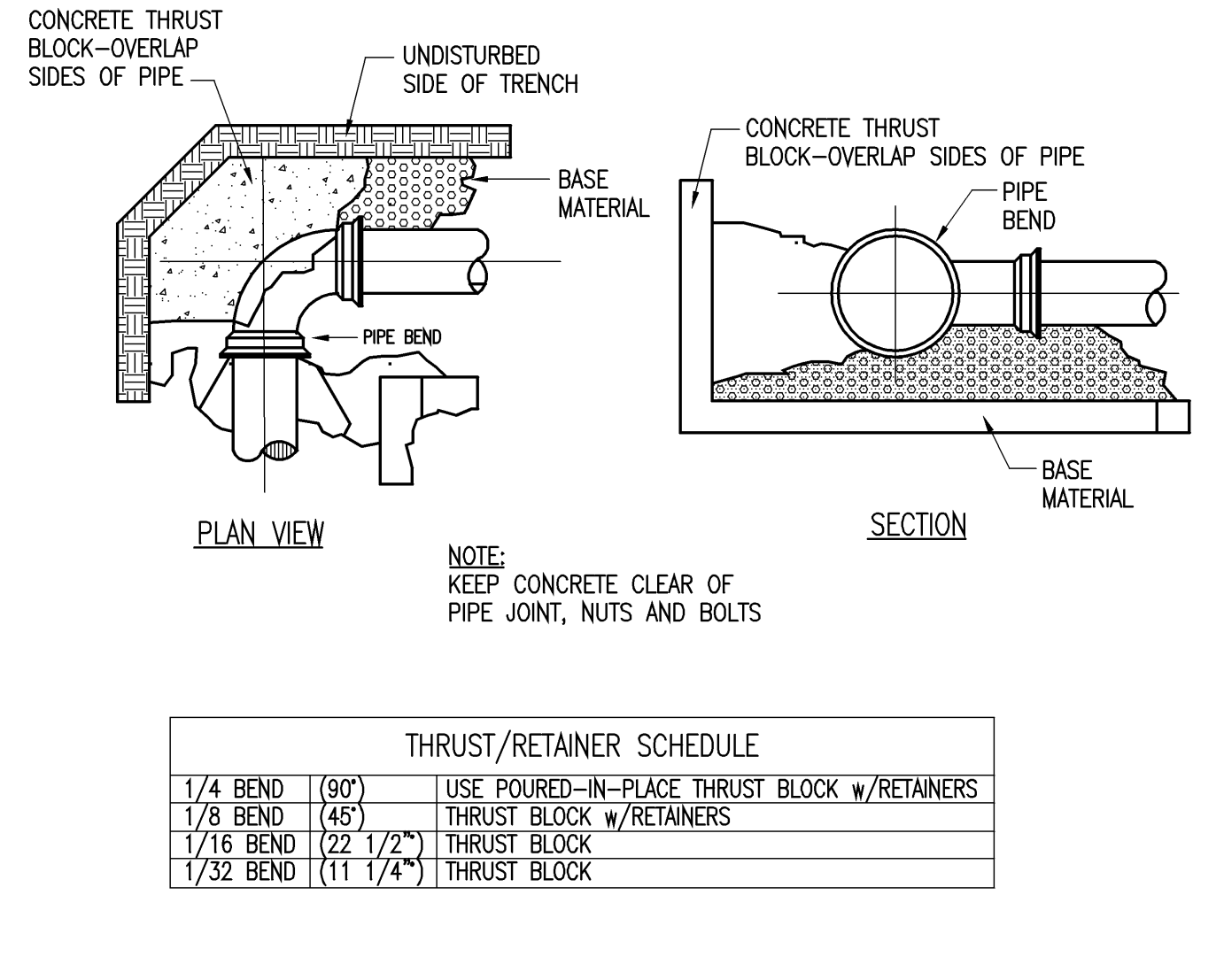
1000 GAL. GREASE TRAP
SCALE: NOT TO SCALE



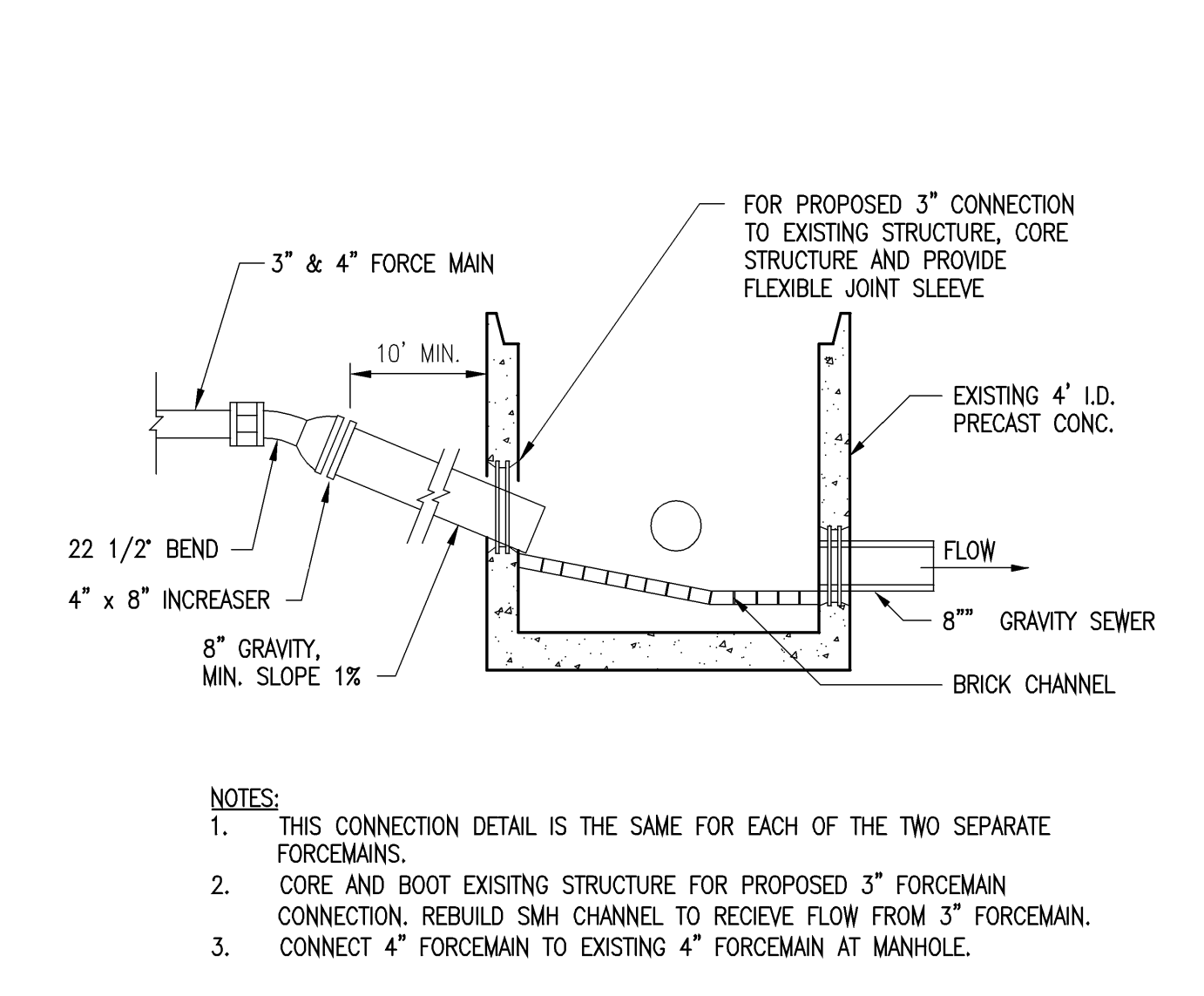
1250 GAL. OIL/WATER SEPARATOR
SCALE: NOT TO SCALE



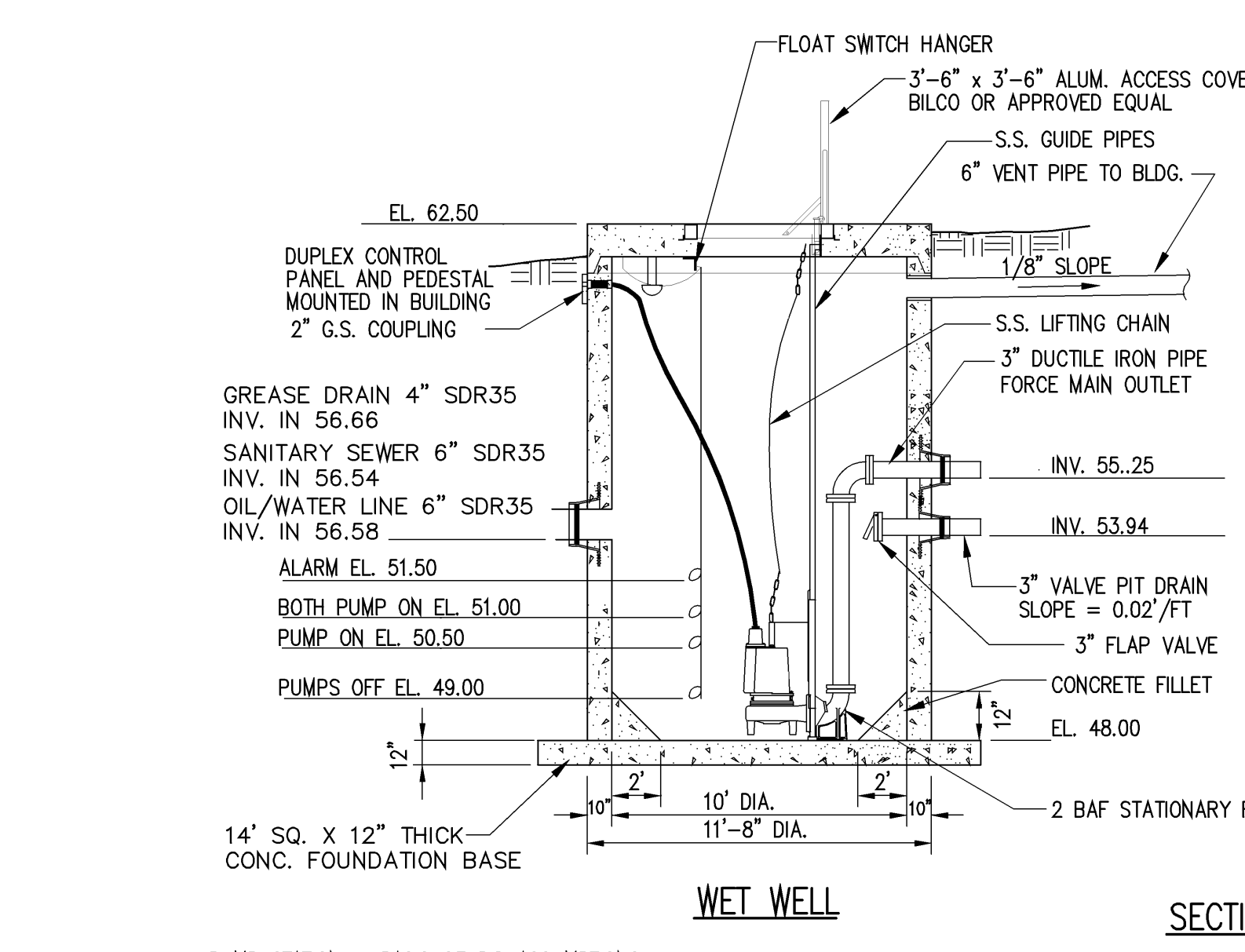
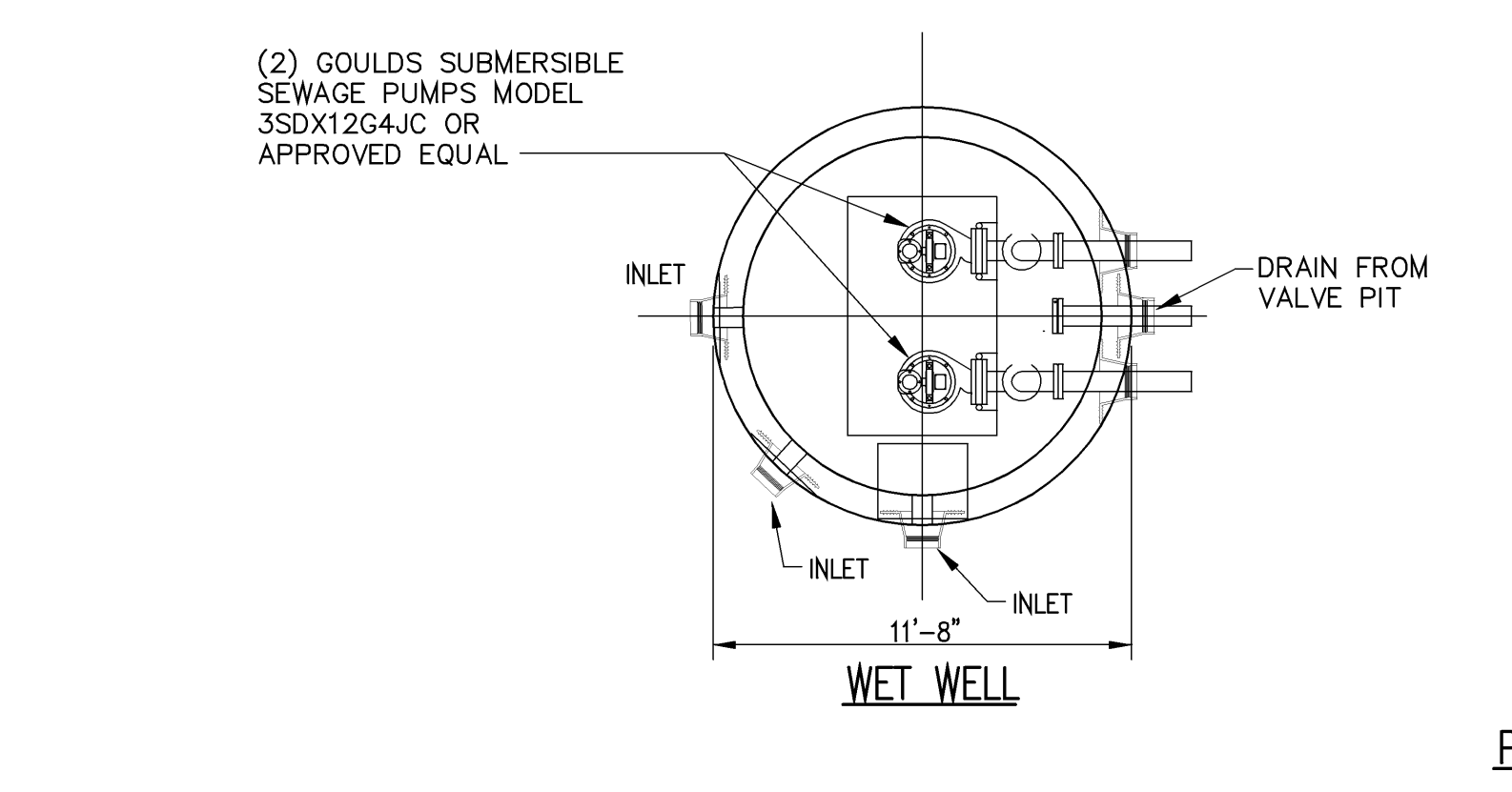
FERNCO COUPLING
SCALE: NOT TO SCALE



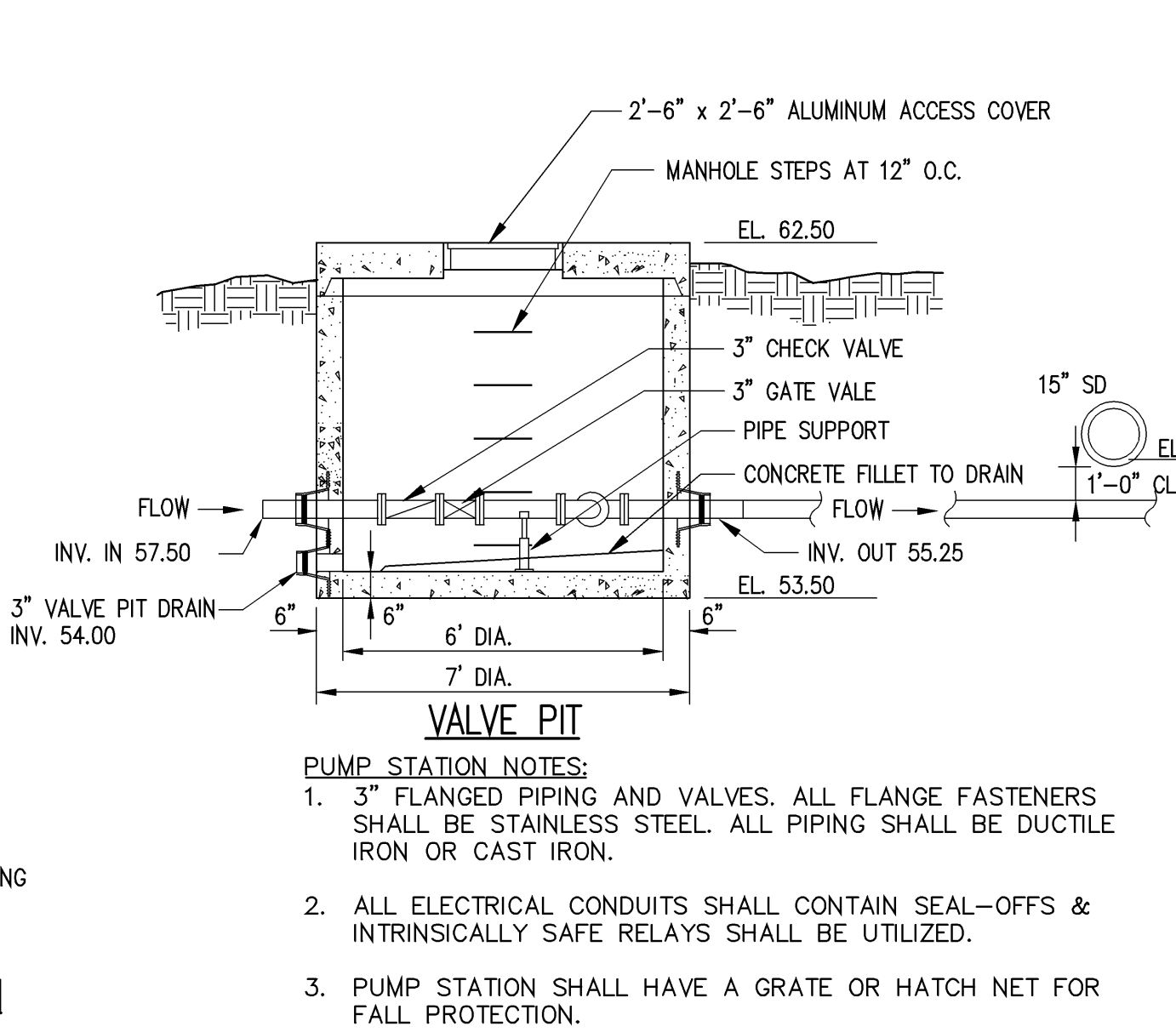
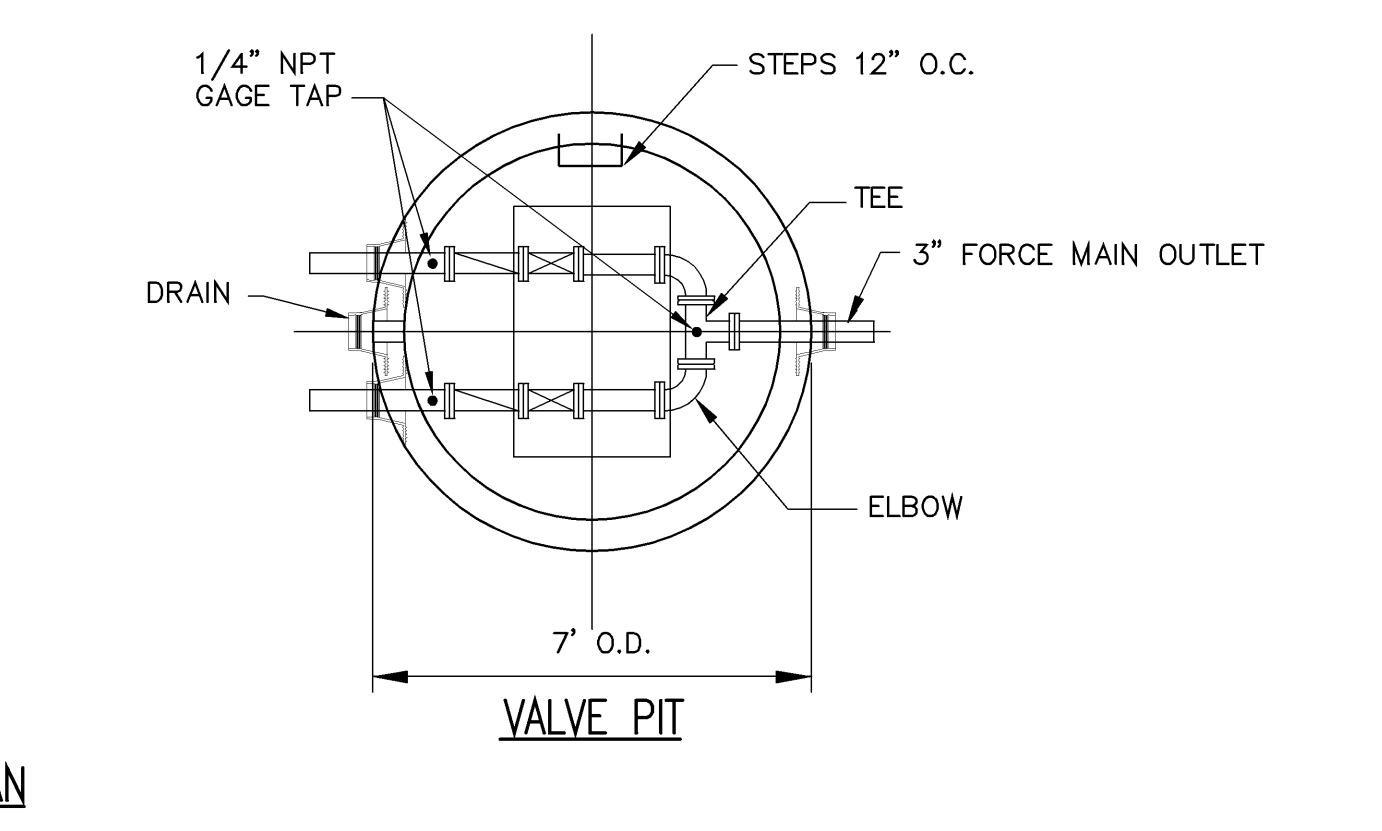
FORCEMAIN THRUST BLOCK
SCALE: NOT TO SCALE



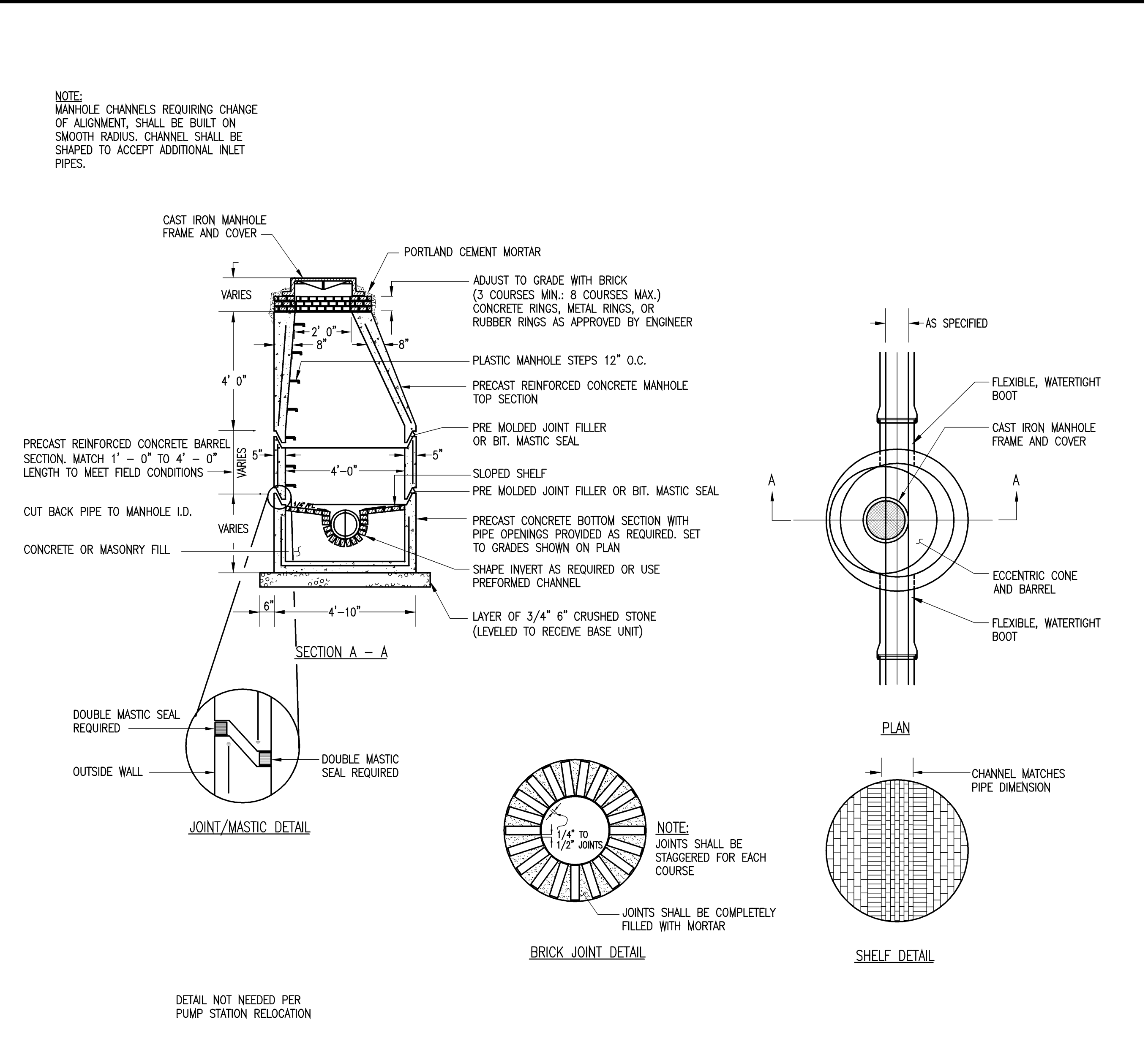
FORCEMAIN TERMINUS CONNECTION
SCALE: NOT TO SCALE



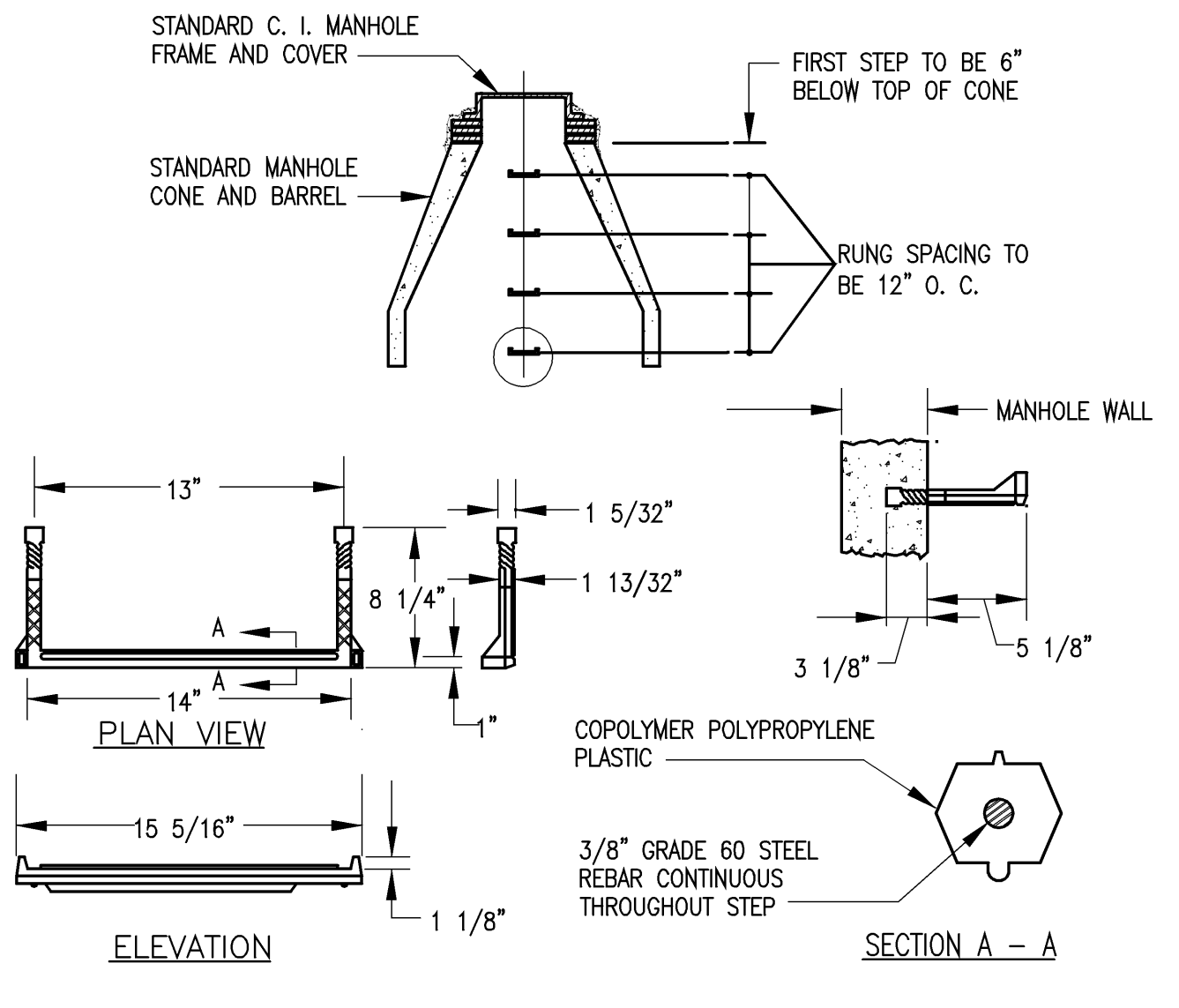
WASTEWATER PUMP STATION
SCALE: NOT TO SCALE



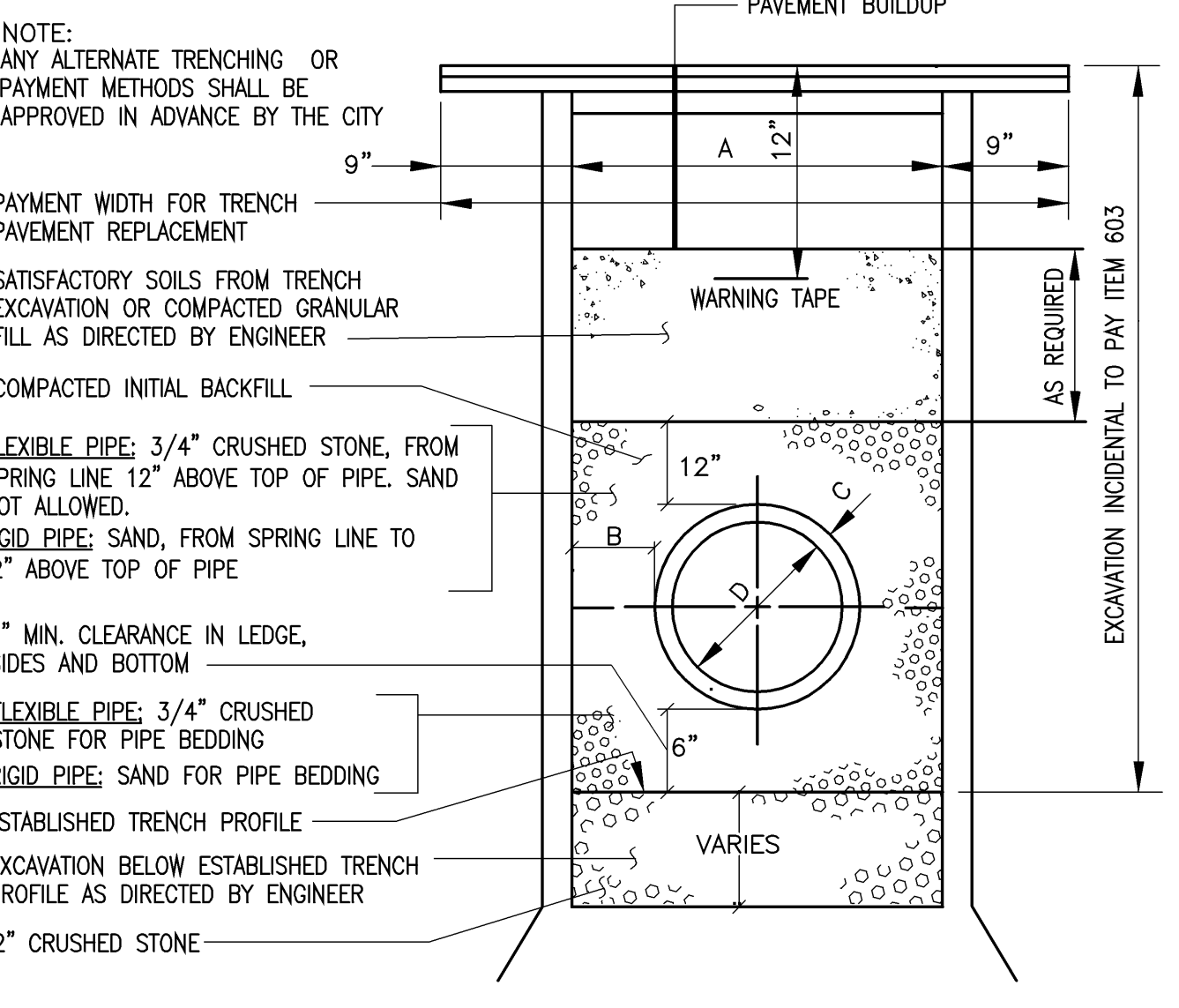
WASTEWATER PUMP STATION
SCALE: NOT TO SCALE



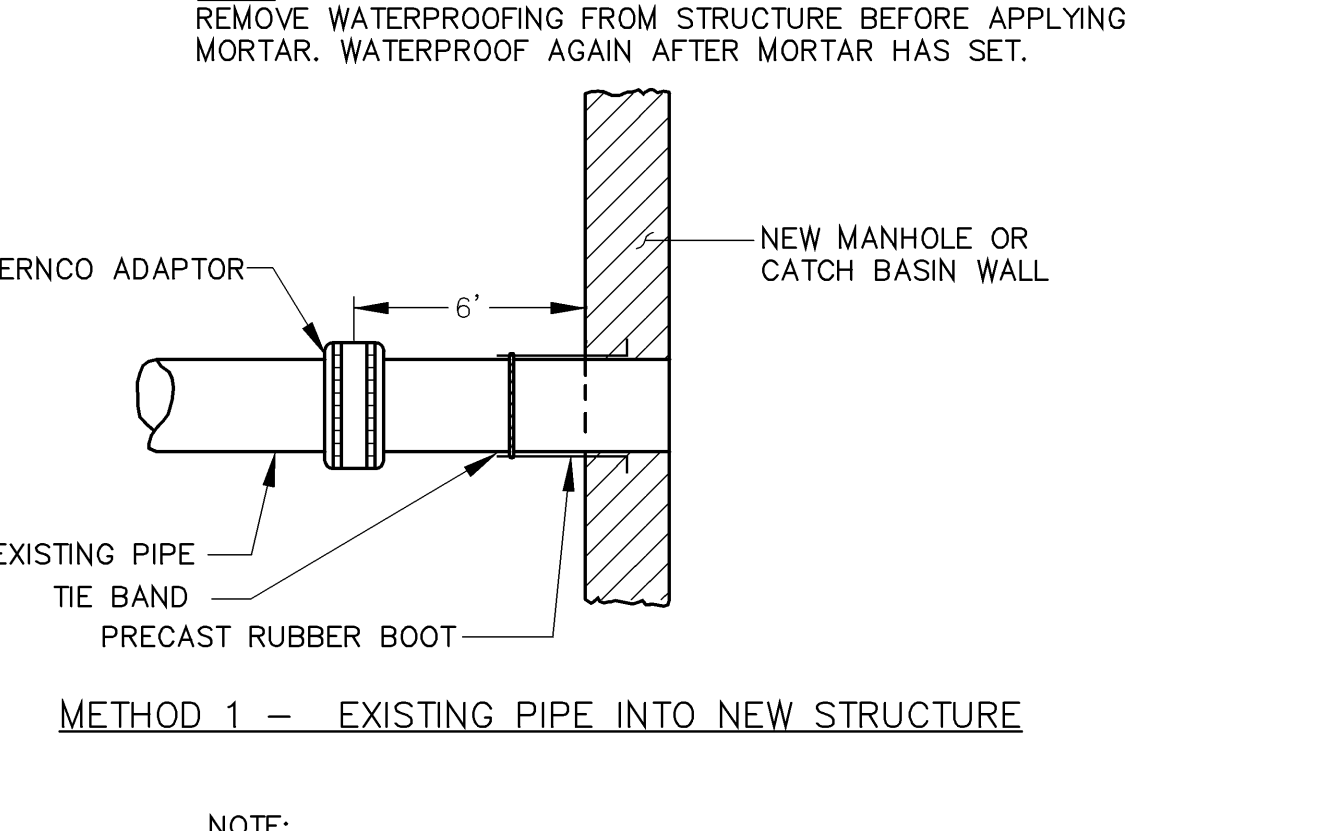
SANITARY MANHOLE - PRECAST CONCRETE TYPE \"A\"
SCALE: NOT TO SCALE



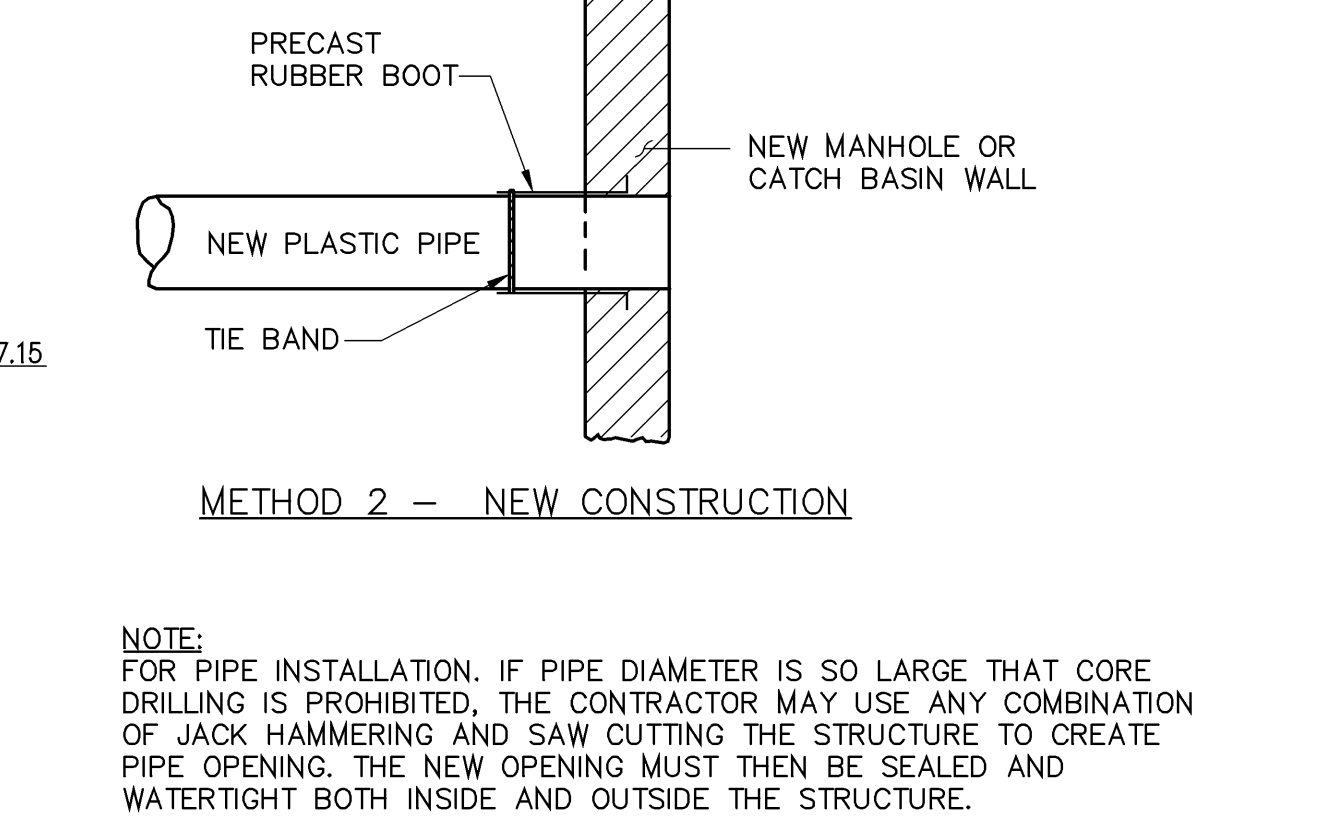
PLASTIC MANHOLE STEPS
SCALE: NOT TO SCALE



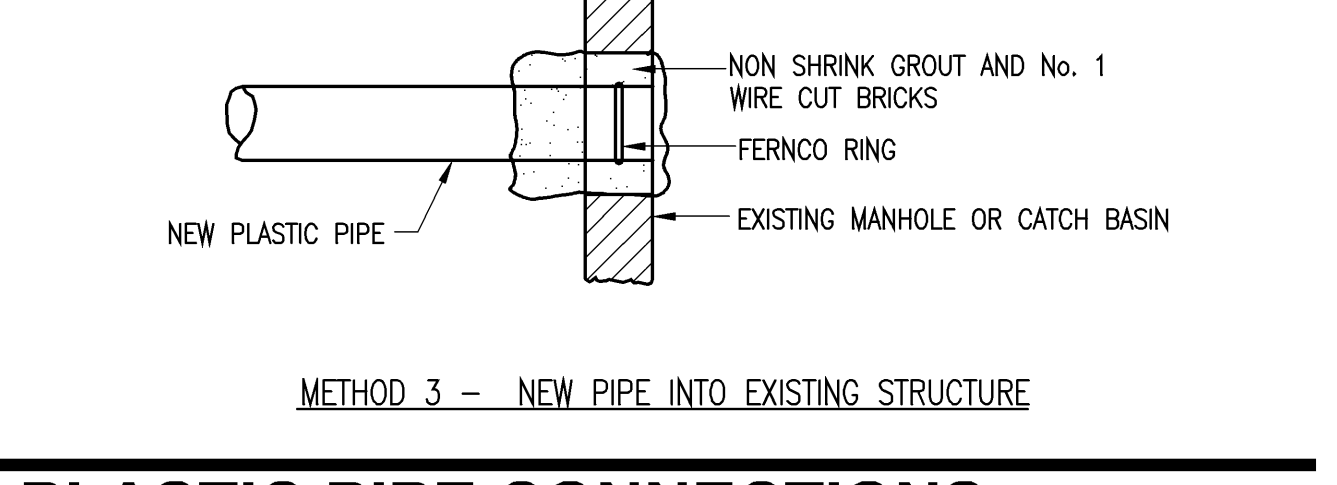
PIPE INSTALLATION
SCALE: NOT TO SCALE



METHOD 1 - EXISTING PIPE INTO NEW STRUCTURE



METHOD 2 - NEW CONSTRUCTION



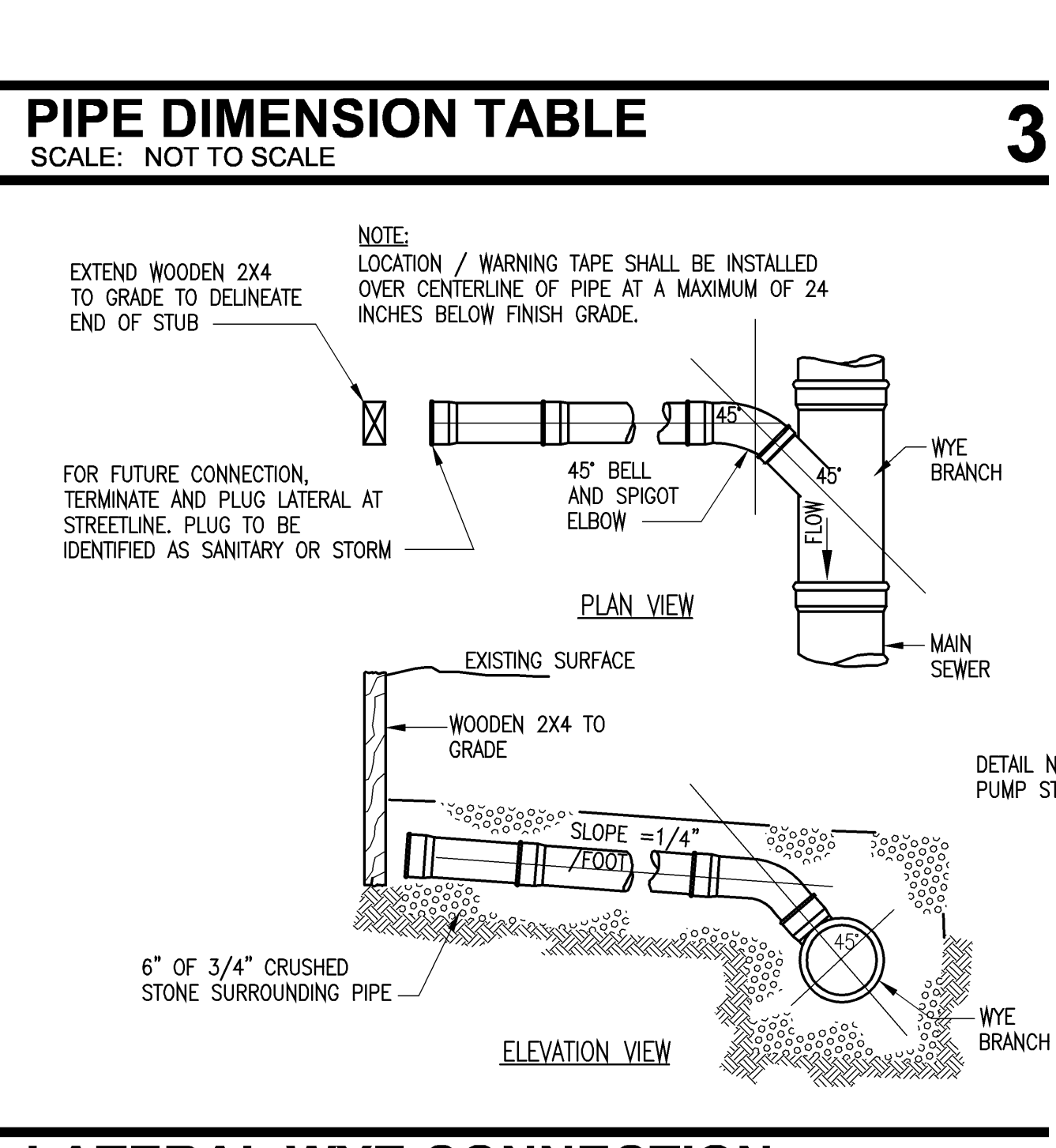
METHOD 3 - NEW PIPE INTO EXISTING STRUCTURE

**TABLE OF DIMENSIONS
PVC, TRUSS, CMP, & POLYETHYLENE PIPE**

D	A	B	C	VOL. BASE /100'	UNSHEETED G. D. SOCKET
8"	3'-0"	1'-1 1/2"	0'-1 1/2"	7.358	10.3/8"
10"	3'-0"	1'-0 3/8"	0'-0 5/8"	7.858	12 1/2"
12"	3'-0"	1'-0 1/2"	0'-0 3/4"	7.858	14 1/2"
14"	3'-0"	1'-0 1/2"	0'-0 3/4"	8.178	16 3/4"
16"	3'-0"	1'-0 1/2"	0'-0 3/4"	8.447	18"
18"	3'-0"	1'-0 1/2"	0'-0 3/4"	8.663	21 1/8"
20"	3'-0"	1'-0 1/2"	0'-0 3/4"	8.815	23 3/8"
24"	3'-0"	1'-3 1/4"	0'-0 7/8"	9.633	27 3/4"
27"	3'-0"	1'-1 1/4"	0'-0 6"	10.959	31 1/8"
30"	3'-0"	1'-1 1/4"	0'-0 6"	11.128	34 1/2"
33"	3'-0"	1'-1 3/4"	0'-0 6"	11.378	38 1/8"
36"	4'-0"	1'-3 1/4"	0'-0 6"	11.378	14.910

A = WIDTH OF UNSHEETED TRENCH

PIPE DIMENSION TABLE
SCALE: NOT TO SCALE



LATERAL WYE CONNECTION
SCALE: NOT TO SCALE

SHEET NOTES

- ALL CONCRETE SHALL BE CLASS "A" AND HAVE A MINIMUM ULTIMATE COMPRESSIVE STRENGTH OF 4000 PSI PER SQ. INCH AT THE END OF 28 DAYS, UNLESS OTHERWISE NOTED.
- PRECAST REINFORCED CONCRETE MANHOLE TOP SECTION SHALL BE MANUFACTURED PER ASTM SPEC. C-478-67.
- SEWER BRICK SHALL CONFORM TO ASTM SPEC. DESIGNATE ON C-32-63, GRADE MA AND SA.
- ALL MANHOLES SHALL HAVE A WATERPROOFING APPLIED TO THE EXTERIOR SURFACE.
- CASTINGS SHALL CONFORM TO ASTM DESIGNATION A48-CLASS 35. ALL PARTS OF CASTINGS, EXCEPT FINISHED SURFACE, SHALL RECEIVE A COAT OF OIL, TAR PITCH VARNISH OR ASPHALTUM PAINT WHICH SHALL BE SMOOTH AND TOUGH BUT NOT BRITTLE.
- MANHOLES MAY BE CONSTRUCTED OF MASONRY, PRECAST REINFORCED CONCRETE, OR CAST IN PLACE.
- ALL PRECAST MANHOLES AND CATCH BASINS SHALL BE IDENTIFIED BY STATION AND CENTERLINE PAINTED ON THE SIDE OF THE STRUCTURE BY THE MANUFACTURER.
- STORM AND SEWER MANHOLES SHALL HAVE SOLID COVERS WITH ONE DRILLED PICK HOLE.
- EXISTING MANHOLES, CATCH BASINS, FRAMES, AND COVERS SHALL BE SALVAGED BY THE CONTRACTOR, AND SHALL REMAIN THE PROPERTY OF THE CITY OF PORTLAND.

Portland International Jetport
1001 Westbrook Street
Portland, Maine 04102

Gensler
DESIGN DEVELOPMENT
75% CONSTRUCTION DOCUMENTS
95% CONSTRUCTION DOCUMENTS
ISSUED FOR PERMIT
ADDENDUM #2
BULLETIN #4C
ISSUED FOR CONSTRUCTION

amec
343 Gorham Road, South Portland ME 04106
P: (207) 761-1770 F: (207) 774-1246 www.amec.com

2020 K Street, NW
Suite 200
Washington, DC 20006
Telephone 202.721.5200
Facsimile 202.872.8557

oest ASSOCIATES, INC.
343 Gorham Road, South Portland, ME 04106
P: (207) 761-1770 F: (207) 774-1246 www.oest.com
engineers • architects • surveyors • construction managers

THESE DRAWINGS ARE ISSUED FOR CONSTRUCTION AND REFLECT ALL AMEC ISSUED BULLETINS AND SKETCHES.

Issue	Date & Issue Description	By	Check
1	09/22/08	W/W	A/M
2	12/03/08	W/W	A/M
3	01/23/09	W/W	A/M
4	10/26/09	W/W	FEM
5	11/12/09	W/W	FEM
6	05/21/10	W/W	MSD
7	09/01/11	W/W	SDH

Project Name: P/W Terminal Enhancement
Project Number: 08.6395.000
CAD File Name: T:\5330101\SHEETS\C12.02.DWG
Description: SANITARY SECTIONS & DETAILS
Scale: AS NOTED

C12.02
©2009 Gensler