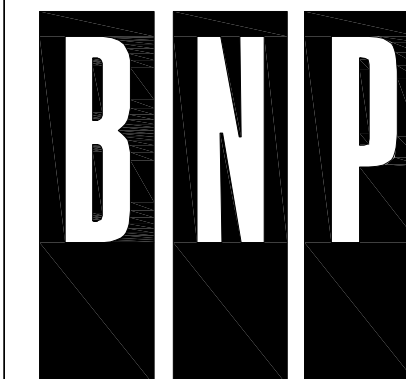


**SHEET NOTES**

**Portland International  
Jetport**  
1001 Westbrook Street  
Portland, Maine 04102

**Gensler**

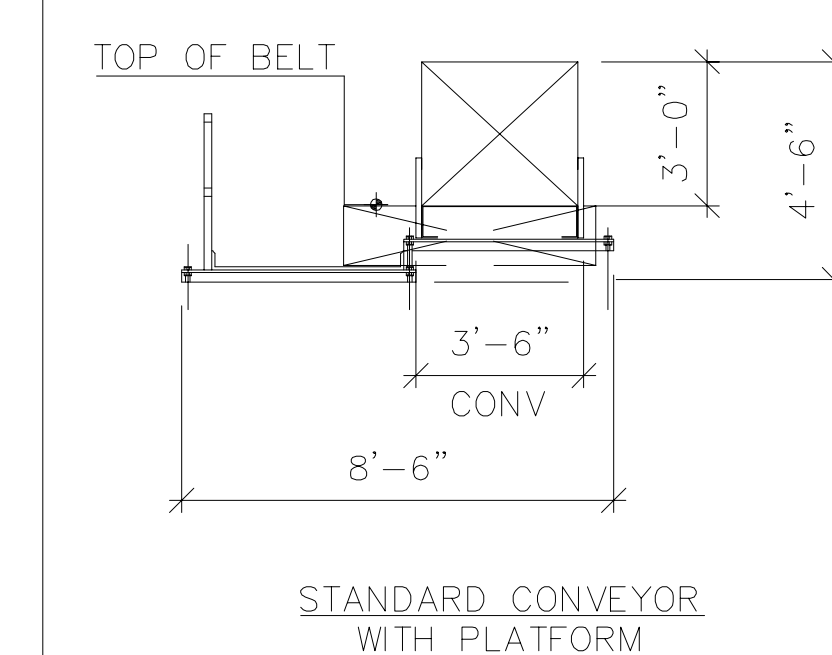
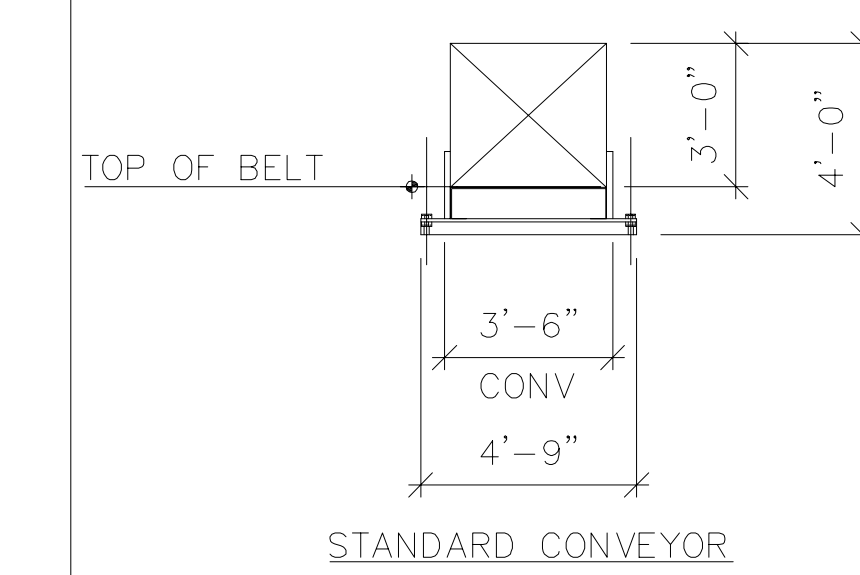
2020 K Street, NW  
Suite 200  
Washington, DC 20006  
Telephone 202.721.5200  
Facsimile 202.872.8587



PHONE: 203.792.3000  
FAX: 203.792.4900  
BNPHQ@BNPASSOCIATES.COM

101 EAST RIDGE OFFICE PARK  
SUITE 103  
DANBURY, CT 06810 USA

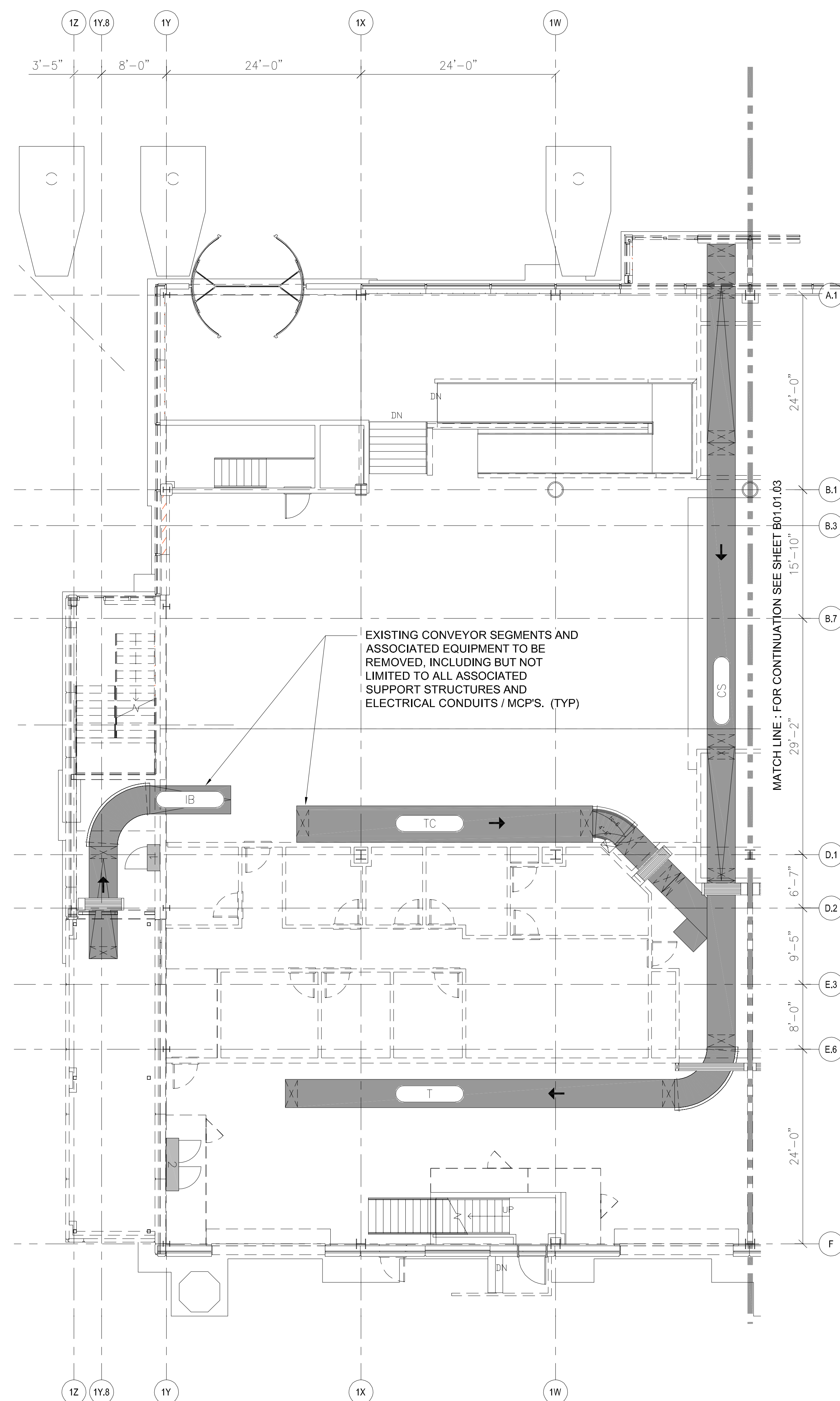
**LEGEND**



**GENERAL NOTES**

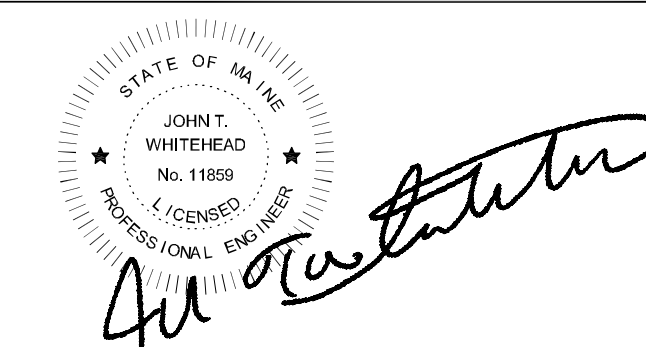
Issue	Date & Issue Description	By	Check
01	10/28/09	BNP	JW/KS
02	ISSUED FOR 30% 30% DESIGN SUBMITTAL	BNP	JW/KS
03	ISSUED FOR 75% 75% SUBMITTAL	BNP	JW/KS
04	ISSUED FOR PERMIT	BNP	JW/KS

**KEY PLAN**



2 PARTIAL PLAN EXISTING - DEMOLITION - ZONE 4  
B01.01.04 1/8" = 1'-0"

See Signature



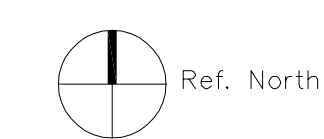
Project Name  
PJM Terminal Expansion

Project Number  
09.6395.000

CAD File Name  
B01.01.04.dwg

Description  
BAGGAGE HANDLING PLAN - LEVEL 1 - ZONE 4

Scale



**B01.01.04**

©2008 Gensler