

GENERAL SYMBOL LEGEND		ABBREVIATIONS	
GENERAL ABBR.	DESCRIPTION	GENERAL ABBR.	DESCRIPTION
	TUG & CART TRAFFIC FLOW DIRECTION	AFF	ABOVE FINISHED FLOOR
	CONVEYOR FLOW DIRECTION	ALT	ALTERNATE
	CONVEYOR REVERSE FLOW DIRECTION	ARCH	PROJECT ARCHITECT
	TOP OF BELT ELEVATION UNLESS OTHERWISE NOTED	BF	BETWEEN FRAME
	POWER DROP POINT DESIGNATION	BHS	BAGGAGE HANDLING SYSTEM
	POWER DROP POINT DESIGNATION	BLDG	BUILDING
	ITEM NUMBER NEW EQUIPMENT	BOS	BOTTOM OF STEEL
	EXISTING CONVEYORS	BOT	BOTTOM
	EXISTING CONVEYORS FOR DEMOLITION	CL	CENTERLINE
	NEW BHS EQUIPMENT	CLR	CLEAR
	NEW INSTALLED BHS EQUIPMENT	CNTR	CONTAINER
	NEW BHS EQUIPMENT WITH MAINTENANCE PLATFORM	CONC	CONCRETE
	FUTURE BHS EQUIPMENT WITH FUTURE MAINTENANCE PLATFORM	CONT	CONTINUOUS
		CONV	CONVEYOR
		CS	CURBSIDE
		DWG	DRAWING
		EL	ELEVATION
		ENGR	ENGINEER OF RECORD
		EQUIP	EQUIPMENT
		FIN	FINISH
		FL	FLOOR
		GC	GENERAL CONTRACTOR
		HP	HIGH POINT
		ID	IDENTIFICATION
		INTFC	INTERFACE
		INT'L	INTERNATIONAL
		LVL	LEVEL
		MAINT	MAINTENANCE
		MAX	MAXIMUM
		MIN	MINIMUM
		MCP	MOTOR CONTROL PANEL
		NIC	NOT IN CONTRACT
		NO	NUMBER
		OA	OVERALL
		O/C	ON CENTER
		OPS	OPERATIONS
		PAX	PASSENGERS
		PDP	POWER DROP POINT
		PLATF	PLATFORM
		PT	POWER TURN
		REF	REFERENCE
		REQ'D	REQUIRED
		SIM	SIMILAR
		SS	STAINLESS STEEL
		STR	STRUCTURE
		TC	TICKET COUNTER
		TEMP	TEMPORARY
		TERM	TERMINAL
		TOB	TOP OF BELT
		TOP	TOP OF PLATFORM
		TOS	TOP OF STEEL
		TYP	TYPICAL
		VIF	VERIFY IN FIELD

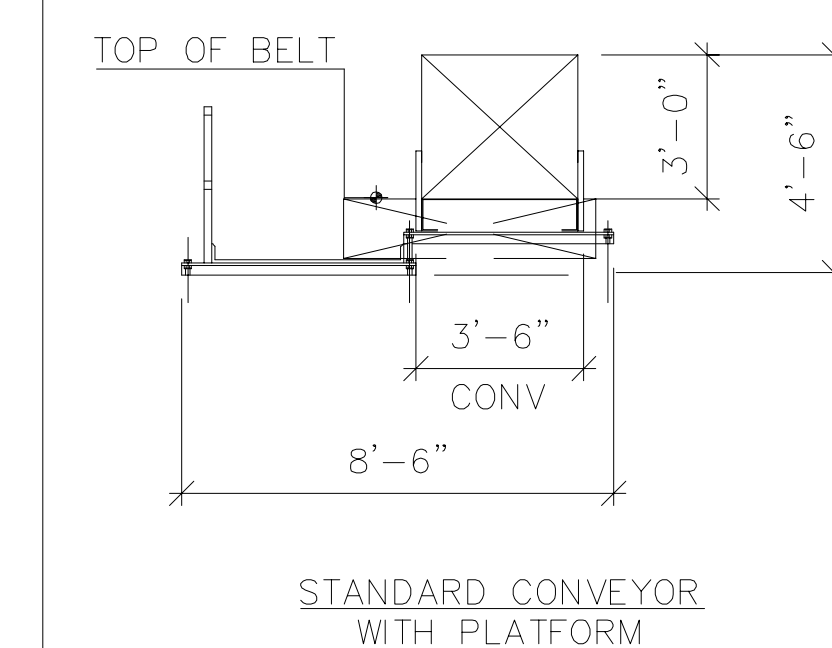
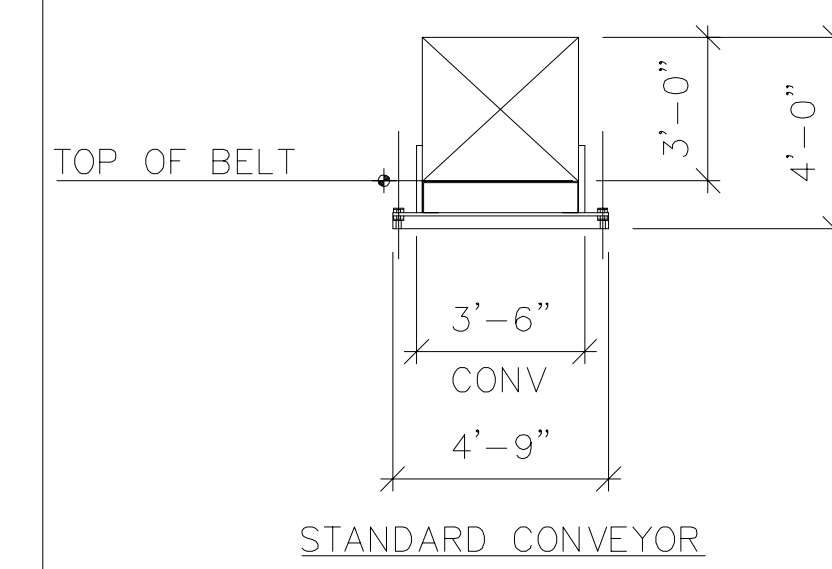
  

IDENTIFICATION NOMENCLATURE	
	NEW CONVEYOR I.D.
	SEQUENTIAL NUMBER OF SUBSYSTEMS OF THIS TYPE SUBSYSTEM DESCRIPTION IDENTIFIER.
	1ST SET OF ALPHA CHARACTERS SUBSYSTEM DESCRIPTION
	'CB' - CLEAR BAG LINE
	'ED' - SCREENING LINE
	'MF' - MAKE-UP FEED
	'SB' - SUSPECT BAG LINE
	'TC' - TICKET COUNTER LINE
	'IB' - INBOUND LINE
	'ME' - MANUAL ENCODING LINE
	'ML' - MAIN SORT LINE
	'MU' - MAKE-UP DEVICE
	'RI' - RE-INPUT LINE
	'OS' - OVERSIZE LINE
	'SS' - SCREENING LOOP
	SHEET NUMBER DESIGNATIONS
	B0.00 SHEET NUMBER
	DRAWING SERIES DISCIPLINE DESIGNATOR
	B0.61 PHASE PHASING SERIES DISCIPLINE DESIGNATOR
	B0.01.01 BUILDING ZONE (SHEET NUMBER) FLOOR LEVEL DESIGNATOR DRAWING SERIES DISCIPLINE DESIGNATOR

Sheet List Table	
Sheet Number	Sheet Title
B00.00	LEGEND - SYMBOLS AND ABBREVIATIONS
B00.01	BAGGAGE HANDLING SYSTEM LEGEND - SYMBOLS AND ABBREVIATIONS
B00.02	BAGGAGE HANDLING PLAN - SYSTEM OVERLAY TSA REIMBURSABLE
B00.03	BAGGAGE HANDLING PLAN - BHS SYSTEM OVERLAY
B00.61	BAGGAGE HANDLING SYSTEM - PHASING PLAN - PHASE 1
B00.62	BAGGAGE HANDLING SYSTEM - PHASING PLAN - PHASE 2
B00.63	BAGGAGE HANDLING SYSTEM - PHASING PLAN - PHASE 3
B00.64	BAGGAGE HANDLING SYSTEM - PHASING PLAN - PHASE 4
B01.01.00	BAGGAGE HANDLING PLAN - LEVEL 1 - OVERALL
B01.01.03	BAGGAGE HANDLING PLAN - LEVEL 1 - ZONE 3
B01.01.04	BAGGAGE HANDLING PLAN - LEVEL 1 - ZONE 4
B02.01.00	BAGGAGE HANDLING PLAN - LEVEL 1 - OVERALL
B02.01.03	BAGGAGE HANDLING PLAN - LEVEL 1 - ZONE 3
B02.01.04	BAGGAGE HANDLING PLAN - LEVEL 1 - ZONE 4
B02.01.05	BAGGAGE HANDLING PLAN - LEVEL 1 - ZONE 5
B02.02.00	BAGGAGE HANDLING PLAN - LEVEL 2 - OVERALL
B02.02.03	BAGGAGE HANDLING PLAN - LEVEL 2 - ZONE 3
B02.02.04	BAGGAGE HANDLING PLAN - LEVEL 2 - ZONE 4
B02.02.05	BAGGAGE HANDLING PLAN - LEVEL 2 - ZONE 5
B02.03.00	BAGGAGE HANDLING PLAN - LEVEL 3 - OVERALL
B02.03.04	BAGGAGE HANDLING PLAN - LEVEL 3 - ZONE 4
B03.01.01	DETAIL PLANS - CBRA ROOMS
B04.00.01	BHS SCHEMATIC SYSTEM
B04.00.02	EMERGENCY POWER SCHEMATIC
B05.01.03	BAGGAGE HANDLING PLAN - PLATFORM - LEVEL 1 - ZONE 3
B05.01.04	BAGGAGE HANDLING PLAN - PLATFORM - LEVEL 1 - ZONE 4
B05.01.05	BAGGAGE HANDLING PLAN - PLATFORM - LEVEL 1 - ZONE 5
B05.02.03	BAGGAGE HANDLING PLAN - PLATFORM - LEVEL 2 - ZONE 3
B05.02.04	BAGGAGE HANDLING PLAN - PLATFORM - LEVEL 2 - ZONE 4
B05.02.05	BAGGAGE HANDLING PLAN - PLATFORM - LEVEL 2 - ZONE 5
B09.01	SECTIONS A-C
B09.02	SECTIONS D-I
B09.03	SECTIONS J-L
B09.04	SECTIONS M-N
B09.05	SECTIONS O-R
B12.00	BAGGAGE HANDLING SYSTEM - CONVEYOR LOAD DIAGRAMS
B12.01	BAGGAGE HANDLING SYSTEM - CONVEYOR LOAD DIAGRAMS
B12.02	BAGGAGE HANDLING SYSTEM - ATTACHMENT DETAILS
B12.03	BAGGAGE HANDLING SYSTEM - ATTACHMENT DETAILS
B12.04	BAGGAGE HANDLING SYSTEM - TYP DETAILS - FIRE-SECURITY DOOR
B12.05	BAGGAGE HANDLING SYSTEM - TYP DETAILS - IMPACT PROTECTION
B12.06	BAGGAGE HANDLING SYSTEM - TYP DETAILS - LADDERS & CROSSOVERS
B12.07	BAGGAGE HANDLING SYSTEM - TYP DETAILS - LADDERS
B12.08	BAGGAGE HANDLING SYSTEM - TYP DETAILS - TICKET COUNTER
B12.09	BAGGAGE HANDLING SYSTEM - TYP DETAILS - FLAT PLATE MAKE-UP
B12.10	BAGGAGE HANDLING SYSTEM - TYP DETAILS - ATR
B12.11	BAGGAGE HANDLING SYSTEM - TYP DETAILS - SIGNAGE
B12.12	BAGGAGE HANDLING SYSTEM - TYP DETAILS - SIGNAGE

### SHEET NOTES

### LEGEND



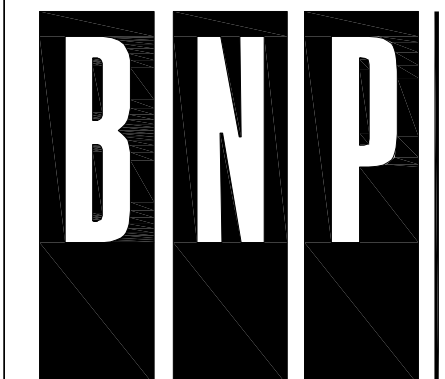
### GENERAL NOTES

- THE FOLLOWING, TOGETHER WITH THE PROJECT SPECIFICATIONS AND BHS DRAWINGS SHALL APPLY:
- CHECK AND FIELD VERIFY ALL BHS RELATED DIMENSIONS ON THE JOB SITE BEFORE PROCEEDING WITH WORK, AND BE RESPONSIBLE FOR THEIR ACCURACY. IF DISCREPANCIES ARE FOUND BETWEEN THE BHS DRAWINGS, SPECIFICATIONS AND FIELD CONDITIONS, THEY SHALL BE REPORTED TO THE OWNER'S REPRESENTATIVE.
  - NO DIMENSIONS SHALL BE SCALED, DRAWINGS DIMENSIONS SHOWN SHALL BE USED.
  - REFERENCE STRUCTURAL DRAWINGS FOR BEAM LOCATIONS.
  - FOR ADDITIONAL BHS RIGHT-OF-WAY DETAILS SEE B12 SERIES.
  - ALL TICKET COUNTERS AND BAG WELL SCALES NOT BY BHS CONTRACTOR.
  - BHS CONTRACTOR TO COORDINATE WITH ALL OTHER TRADES TO MAINTAIN BAGGAGE SYSTEM RIGHT-OF-WAY.
  - ALL DIMENSIONS ARE FROM COLUMN CENTER LINE TO FACE OF CONVEYOR SIDE GUARD, UNLESS OTHERWISE NOTED.
  - ALL OTHER TRADES TO MAINTAIN 3'-0" CLEAR RIGHT-OF-WAY FROM TOP OF BELT TO NEAREST OBSTRUCTION. HANGING OF ANY EQUIPMENT COMPONENTS MECHANICAL, ELECTRICAL, PLUMBING, HVAC... FROM THE CONVEYOR, CATWALK OR ASSOCIATED SUPPORTS IS NOT ALLOWED.
  - ALL BHS RIGHT-OF-WAY SHALL TAKE PRECEDENCE OVER ALL OTHER BUILDING SERVICES (MECHANICAL DUCT WORK AND PIPES, ELECTRICAL CONDUIT, SECURITY CONDUIT, FIRE PROTECTION PIPING, PLUMBING PIPES, ETC.)
  - ALL FINISHED FLOOR DIMENSIONS ARE TAKEN FROM THE HIGH POINT OF THE FINISHED FLOOR.

**Portland International Jetport**  
1001 Westbrook Street  
Portland, Maine 04102

**Gensler**

2020 K Street, NW  
Suite 200  
Washington, DC 20006  
Telephone 202.721.5200  
Facsimile 202.872.8587



PHONE: 203.792.3000  
FAX: 203.792.4900  
BNPHQ@BNPASSOCIATES.COM

101 EAST RIDGE OFFICE PARK  
SUITE 103  
DANBURY, CT 06810 USA

Issue	Date & Issue Description	By	Check
01	7/15/09	BNP	JWKS
02	9/15/09	BNP	JWKS
03	10/26/09	BNP	JWKS
	ISSUED FOR PERMIT		

See Signature

Project Name  
PJM Terminal Expansion

Project Number  
09.6395.000  
CAD File Name  
B00.01.dwg  
Description  
BAGGAGE HANDLING SYSTEM LEGEND - SYMBOLS AND ABBREVIATIONS AND DRAWING LIST

Scale

**B00.01**