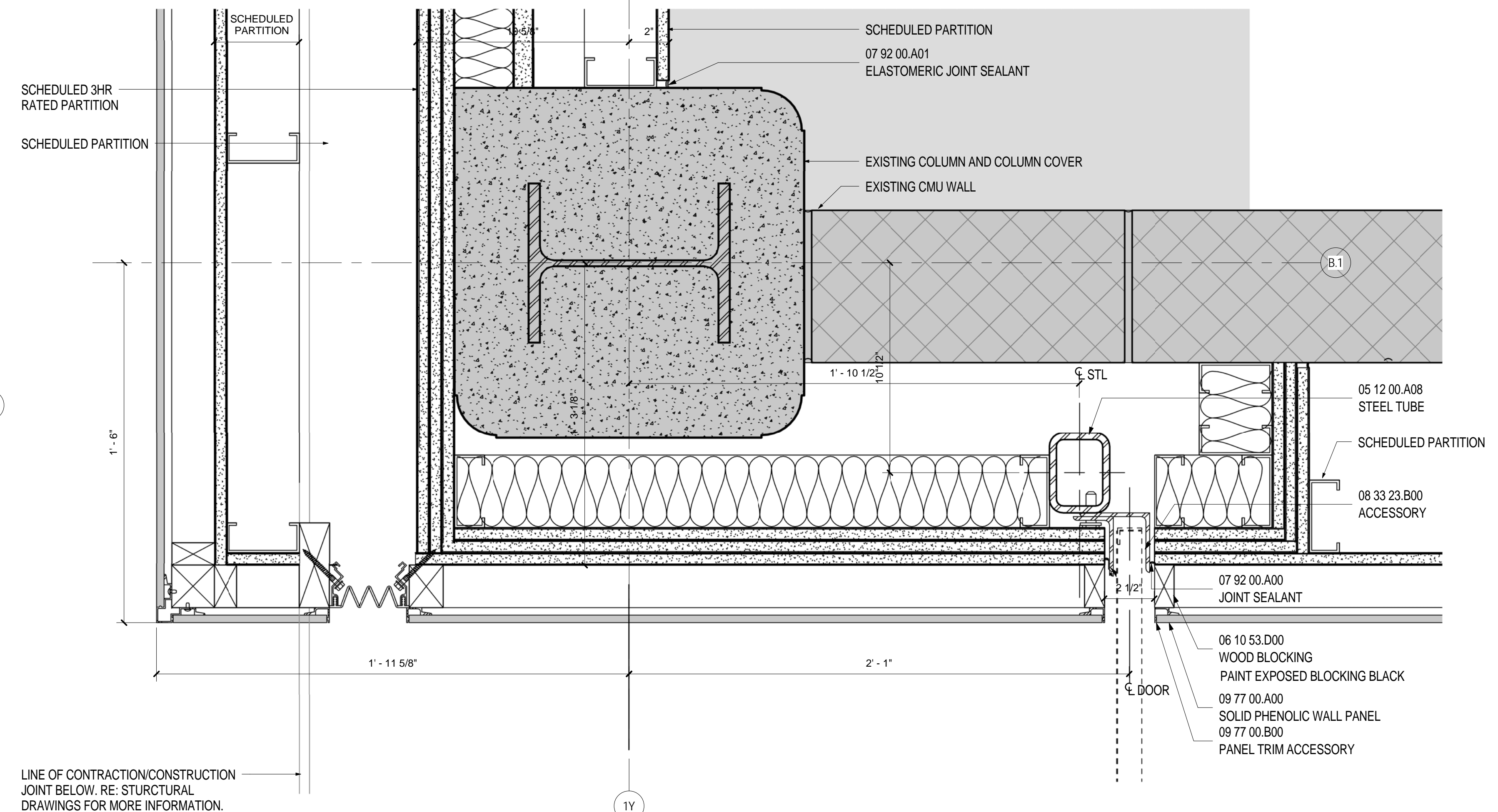
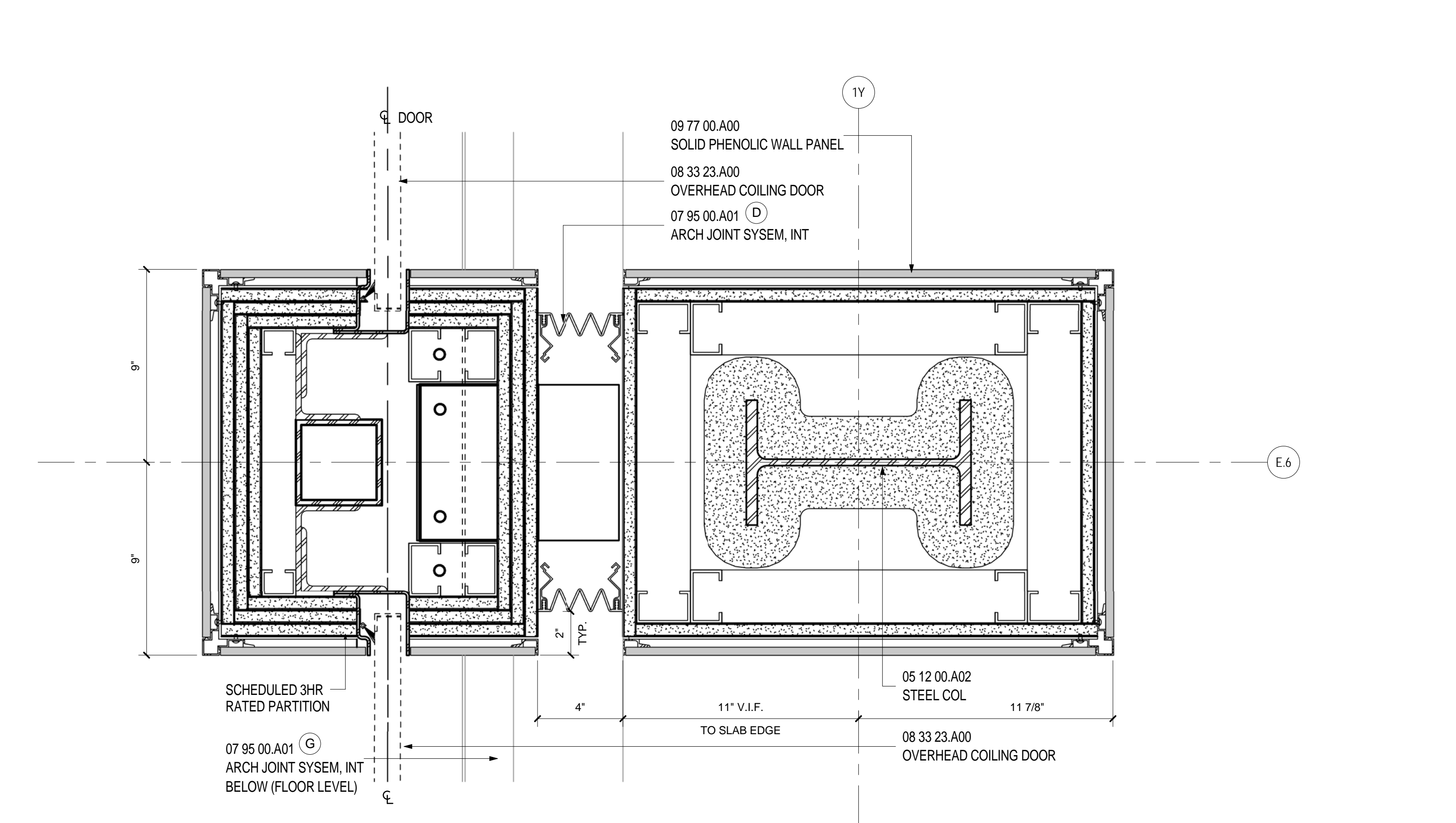


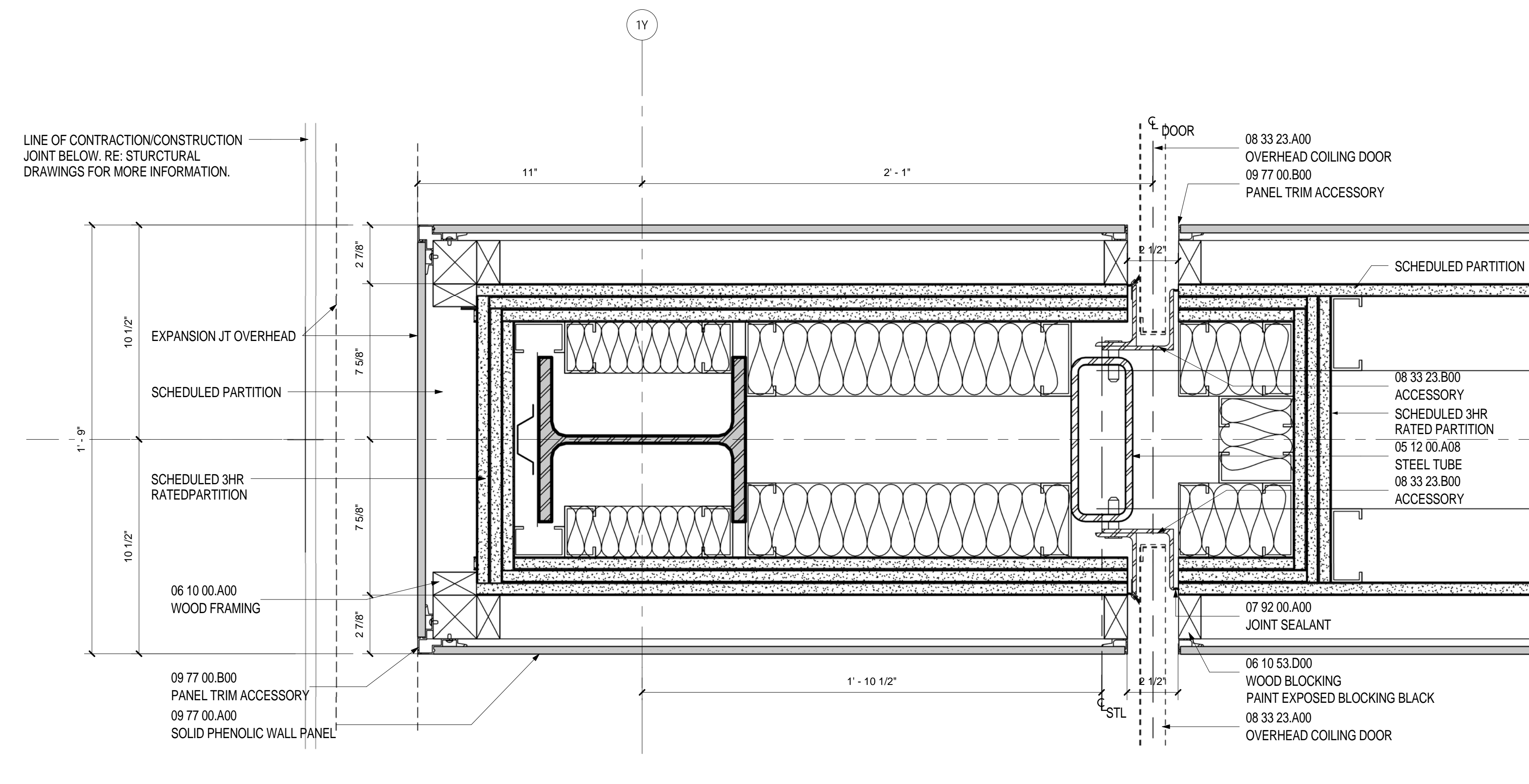
FIRE SHUTTER LEVEL 3 @ 1Y/D.1
SCALE: 3" = 1'-0"



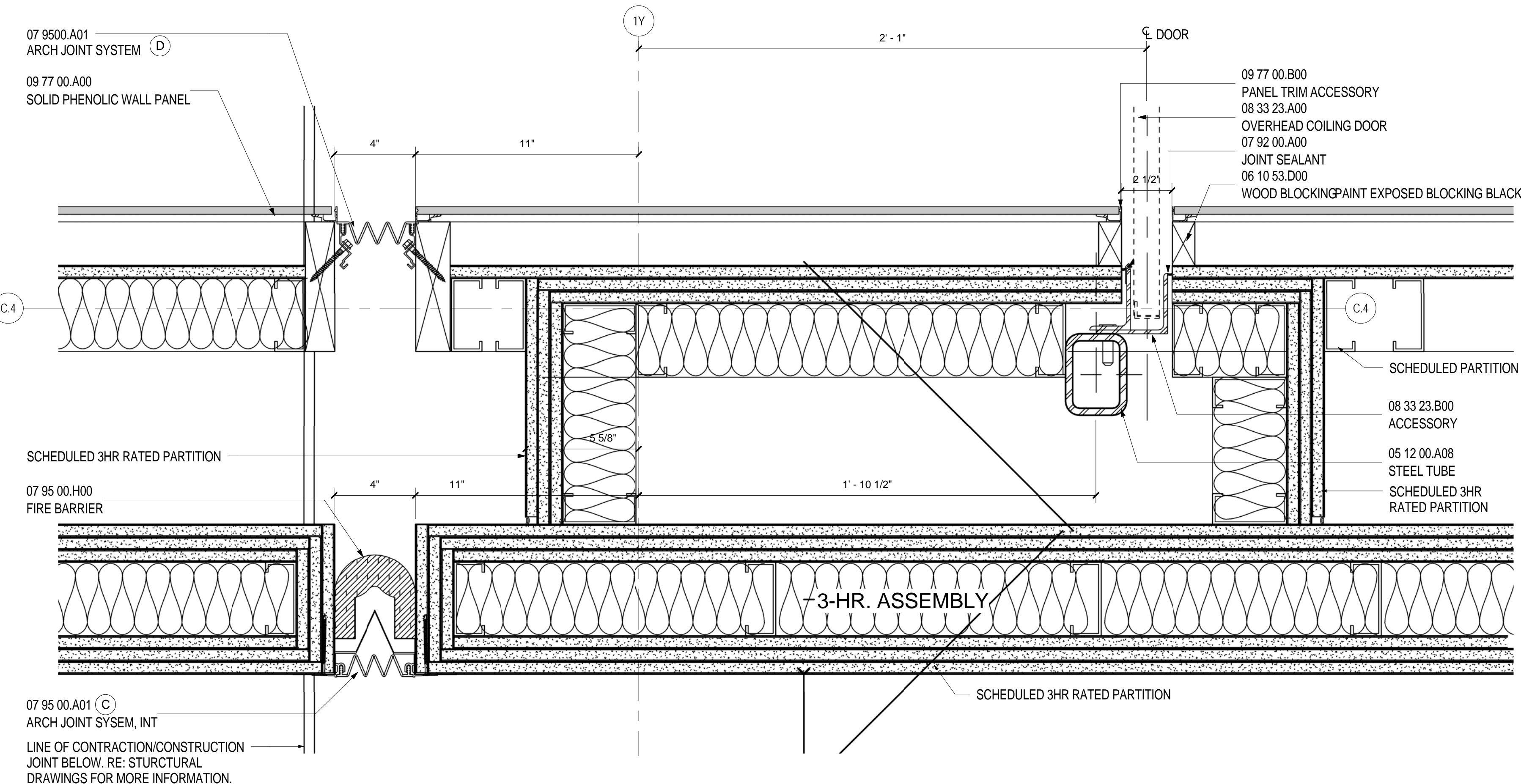
4 FIRE SHUTTER LEVEL 2 @ 1Y/B.1
SCALE: 3" = 1'-0"



FIRE SHUTTER LEVEL 3 @ 1Y/E.6
SCALE: 3" = 1'-0"



5 FIRE SHUTTER LEVEL 2 @ 1Y/B.6 POST
SCALE: 3" = 1'-0"



FIRE SHUTTER LEVEL 2 @ 1Y/C.4
SCALE: 3" = 1'-0"

SHEET NOTES

EXPANSION JOINTS

- (A) MODEL: SEISMIC COLORSEAL 4" (COLOR: BRONZE) MFG: EMSEAL
- (B) MODEL: FWS 400 (COLOR: GRAY) MFG: C/S GROUP
- (C) MODEL: FWS 400 MFJ-4W FIRE BARRIER (COLOR: GRAY) MFG: C/S GROUP
- (D) MODEL: FWS 400 (COLOR: WHITE) MFG: C/S GROUP
- (E) MODEL: APW 400 MFG: C/S GROUP
- (F) MODEL: WFR3 (COLOR: WHITE) MFG: EMSEAL OR EQUIVALENT
- (G) MODEL: GTPM-400 HD MFG: C/S GROUP
- (H) MODEL: FWSC-400 (COLOR: WHITE) MFG: C/S GROUP
- (J) MODEL: BRJ-400 W/ FIRE BARRIER MFG: C/S GROUP
- (K) MODEL: BRJW-400 W/ FIRE BARRIER MFG: C/S GROUP

Portland International
Jetport
1001 Westbrook Street
Portland, Maine 04102

Gensler
2020 K Street, Northwest
Suite 200
Washington DC 20006
Telephone 202.721.5200
Facsimile 202.872.8587

Date	Description
12/03/08	75% CONSTRUCTION DOCUMENTS
01/23/09	95% CONSTRUCTION DOCUMENTS
10/26/09	ISSUED FOR PERMIT
145 09/01/11	ISSUED FOR CONSTRUCTION

Seal/Signature

Project Name
PJM Terminal Enhancement

Project Number
09.6395.000

Description
FIRE SHUTTER DETAILS

Scale
3" = 1'-0"

A12.78

© 2009 Gensler