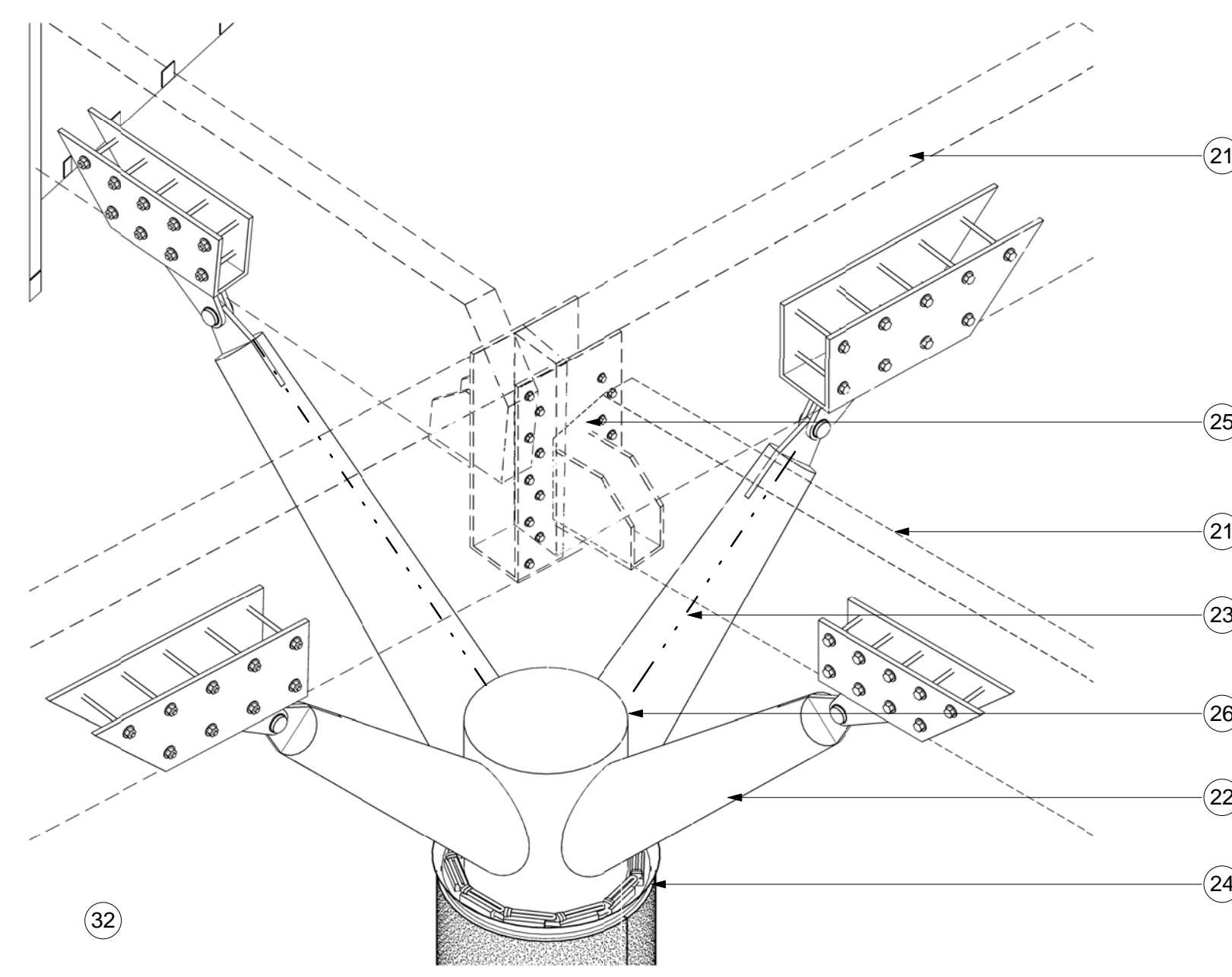


TREE COLUMN @ SLOPED ROOF

SCALE:

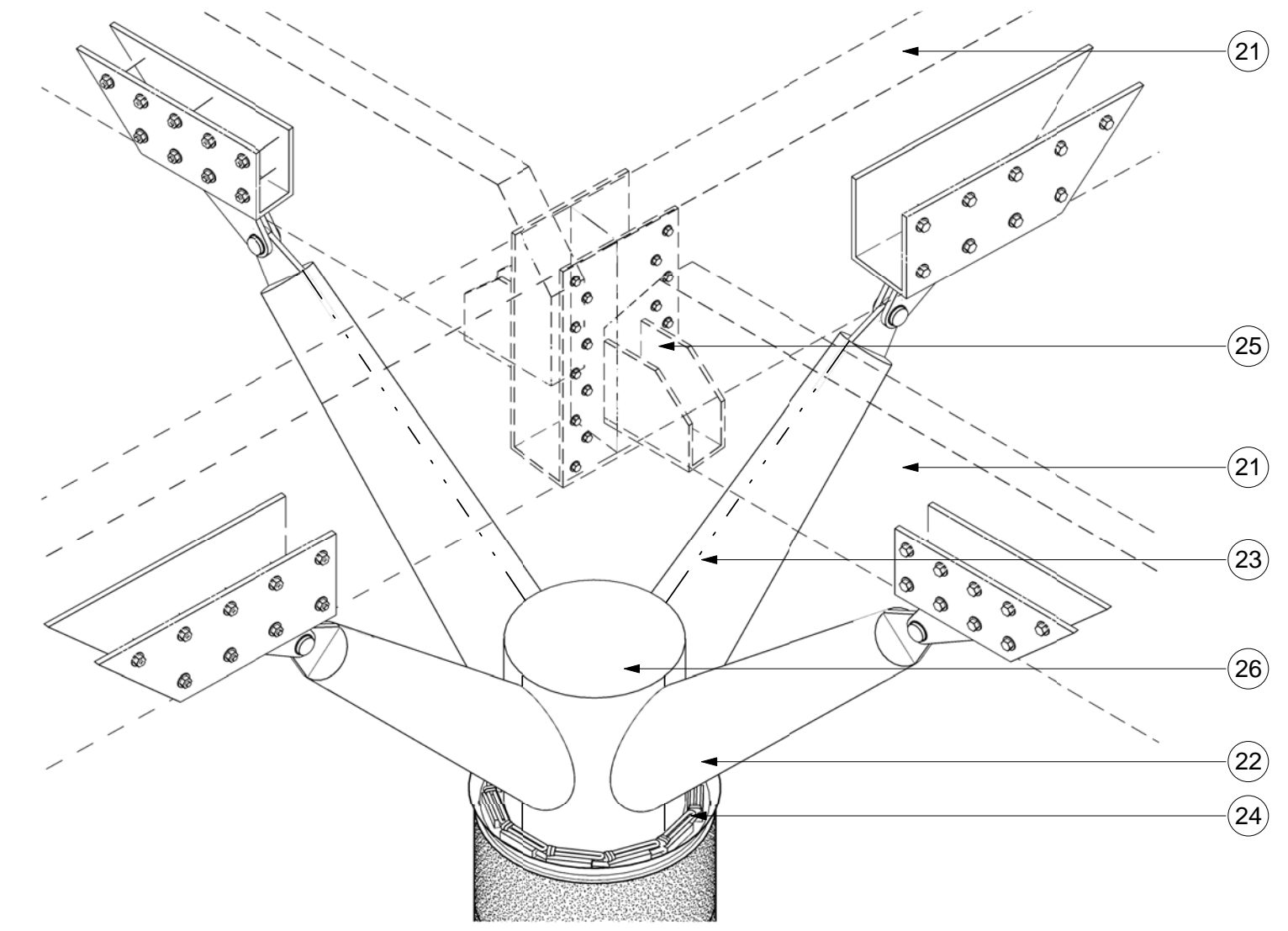
11



TREE COLUMN @ ROOF FOLD

SCALE:

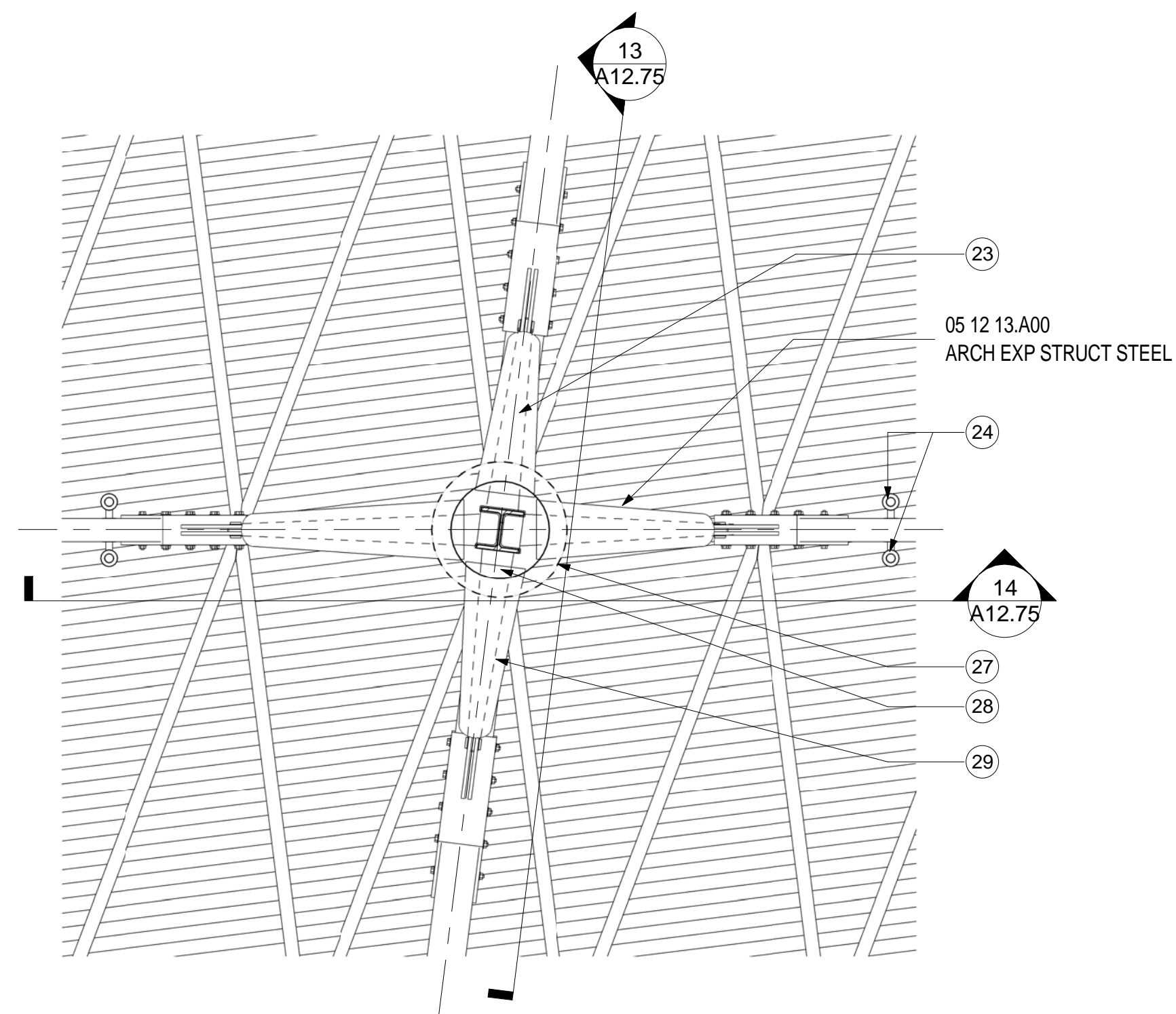
6



TREE COLUMN @ FLAT ROOF

SCALE:

1

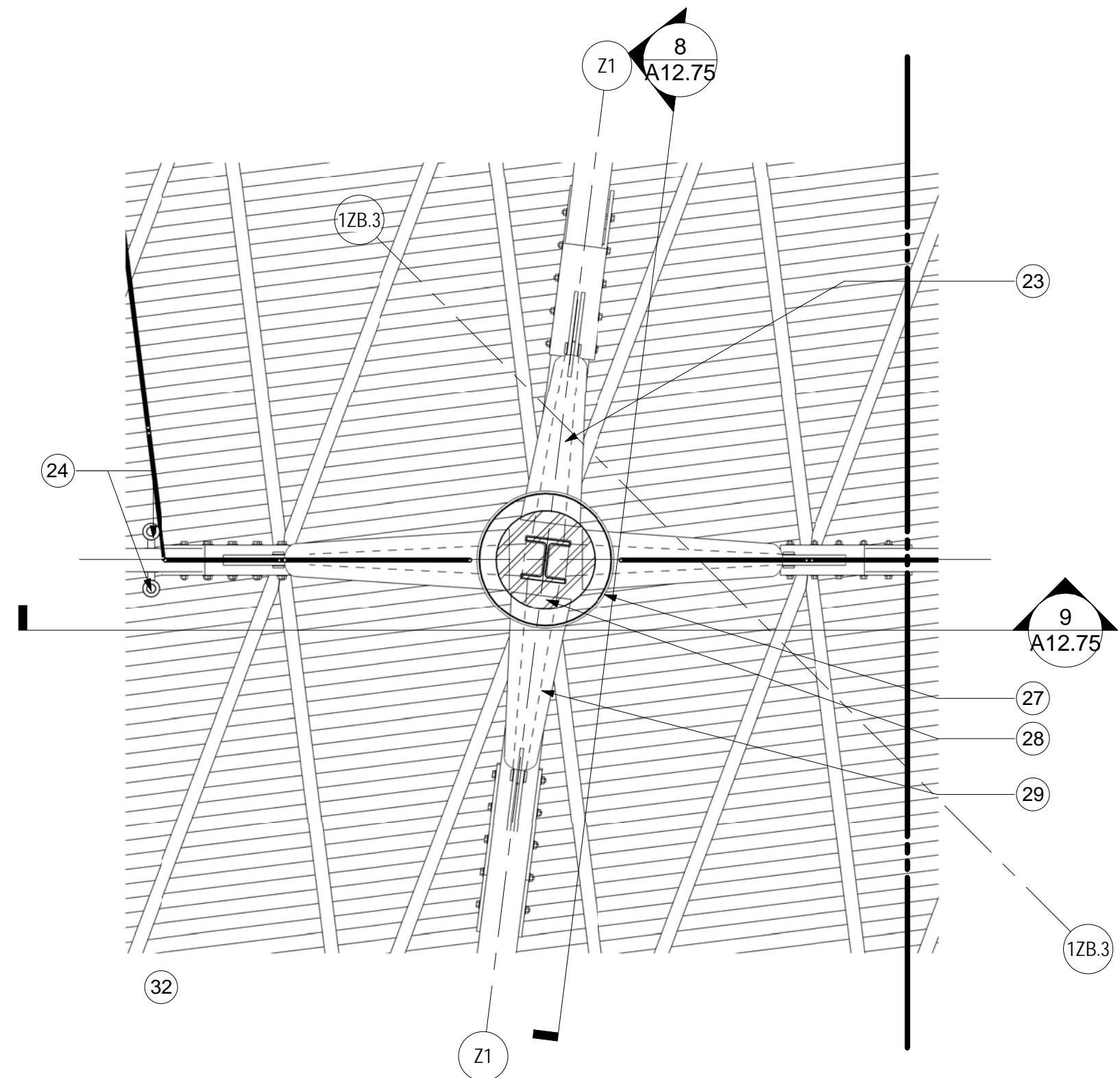


TREE COLUMN @ SLOPED ROOF

SCALE: 1/4" = 1'-0"

A04.05.05

12

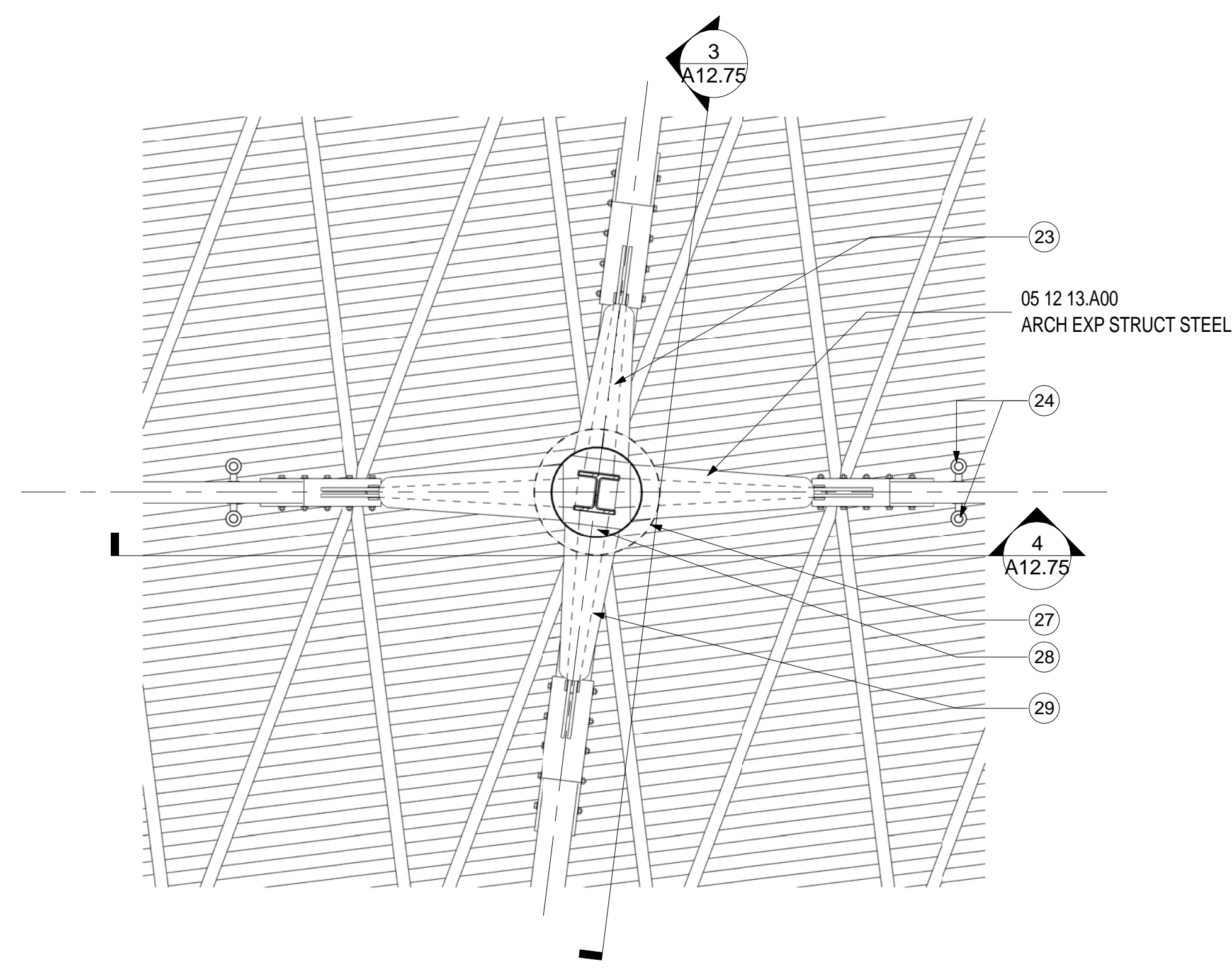


TREE COLUMN @ ROOF FOLD

SCALE: 1/4" = 1'-0"

A04.05.05

7

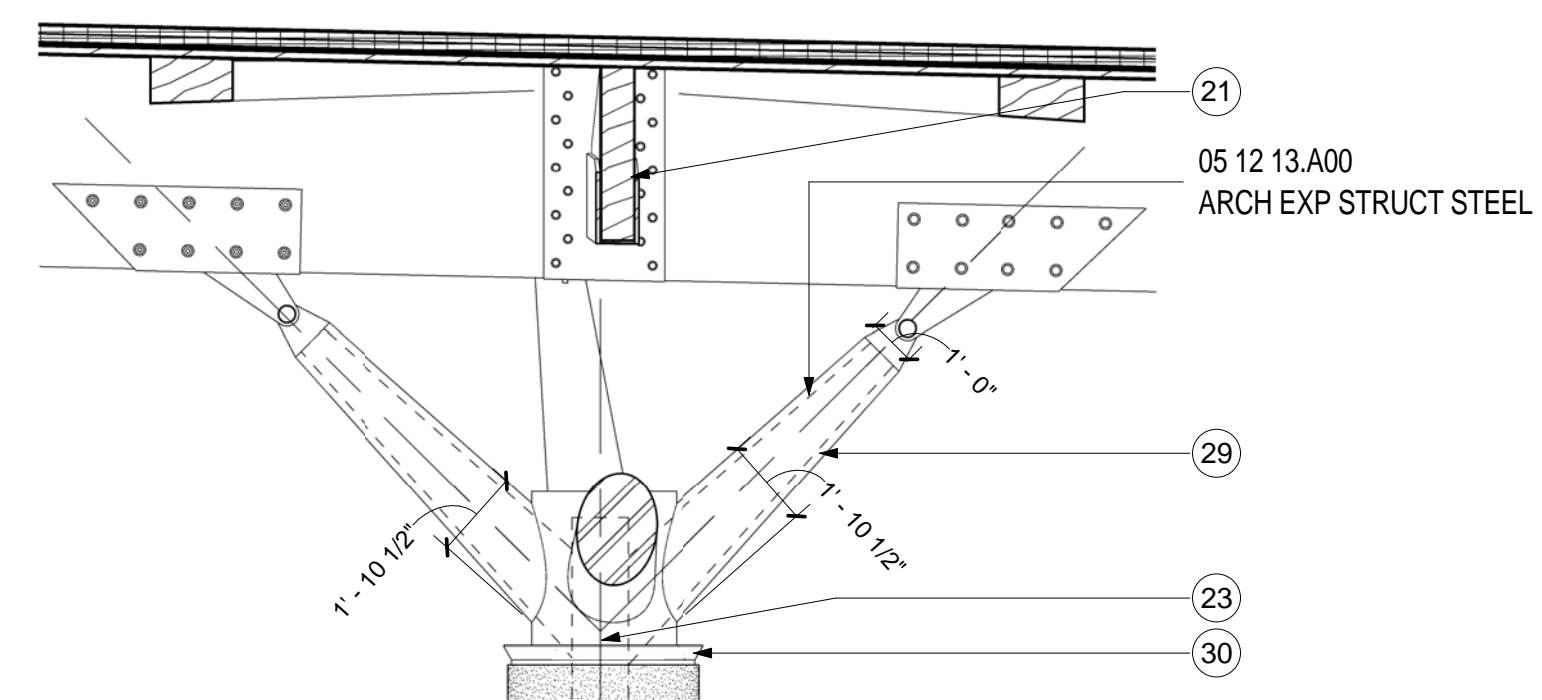


TREE COLUMN @ FLAT ROOF

SCALE: 1/4" = 1'-0"

A04.05.06

2

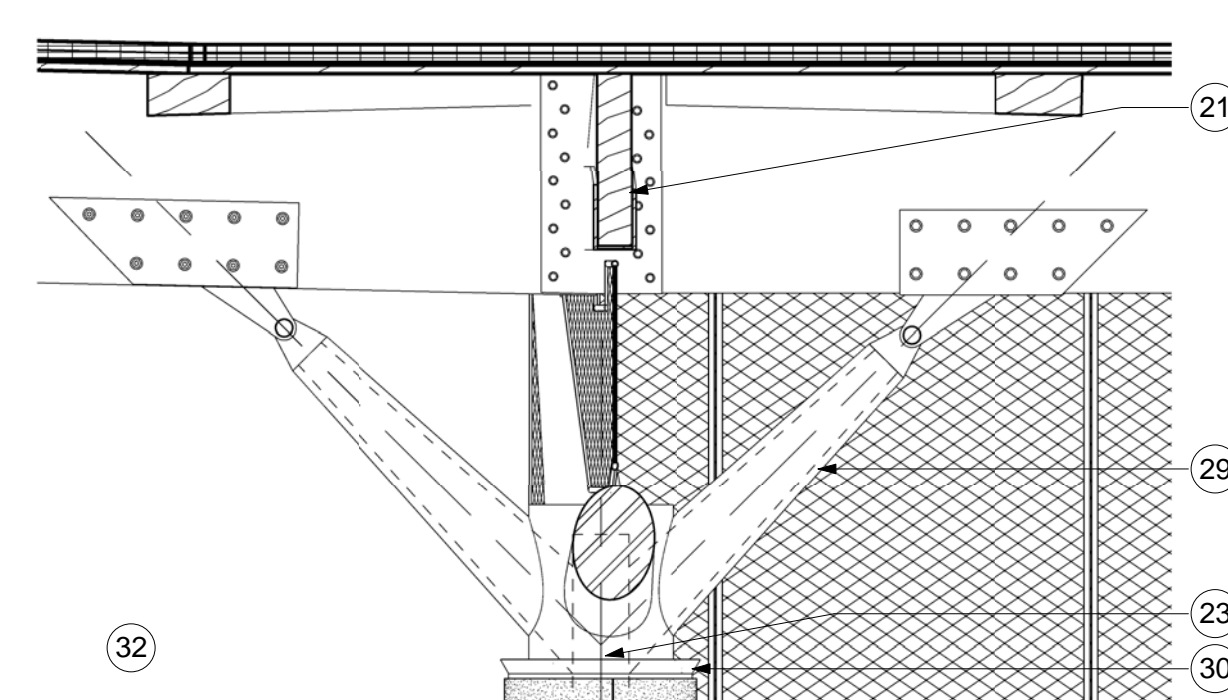


SECTION @ SLOPED ROOF

SCALE: 1/4" = 1'-0"

A12.75

13

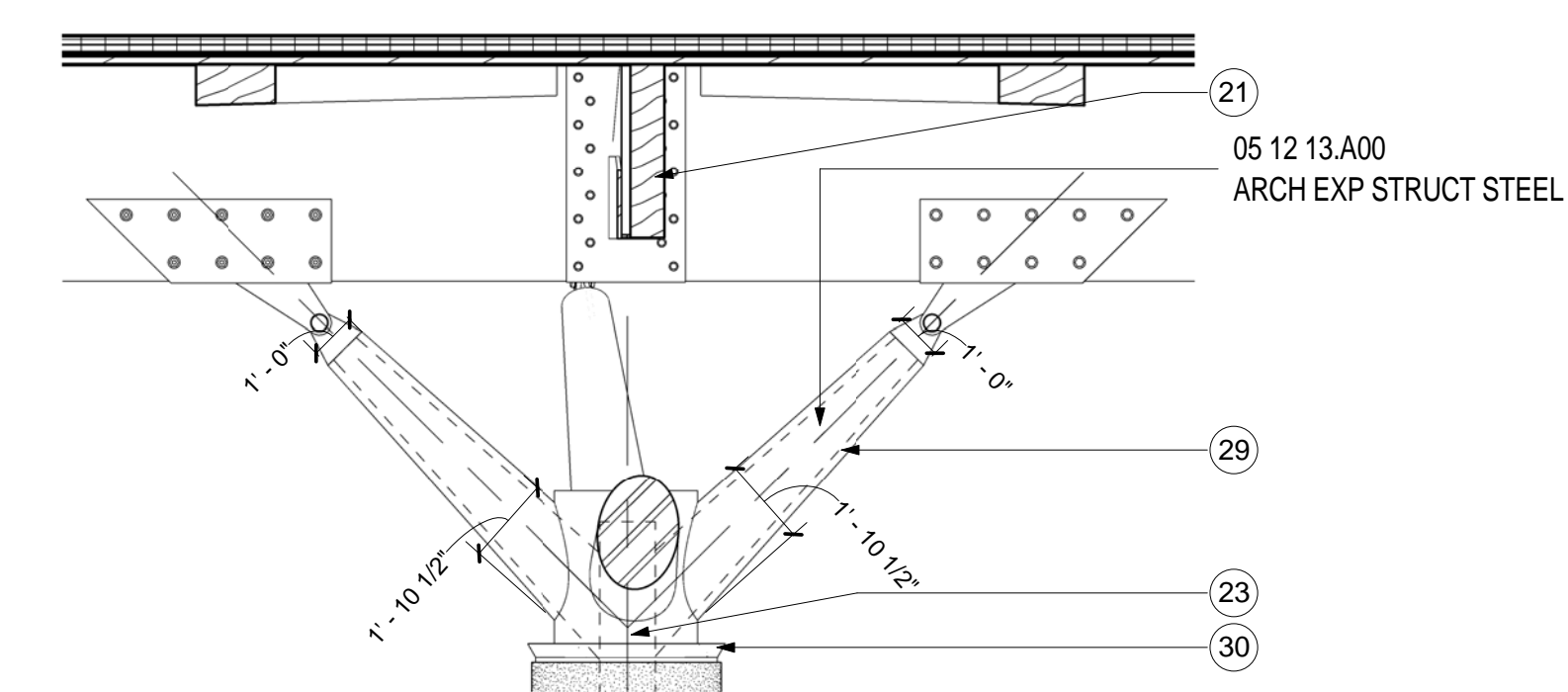


SECTION @ ROOF FOLD

SCALE: 1/4" = 1'-0"

A12.75

8

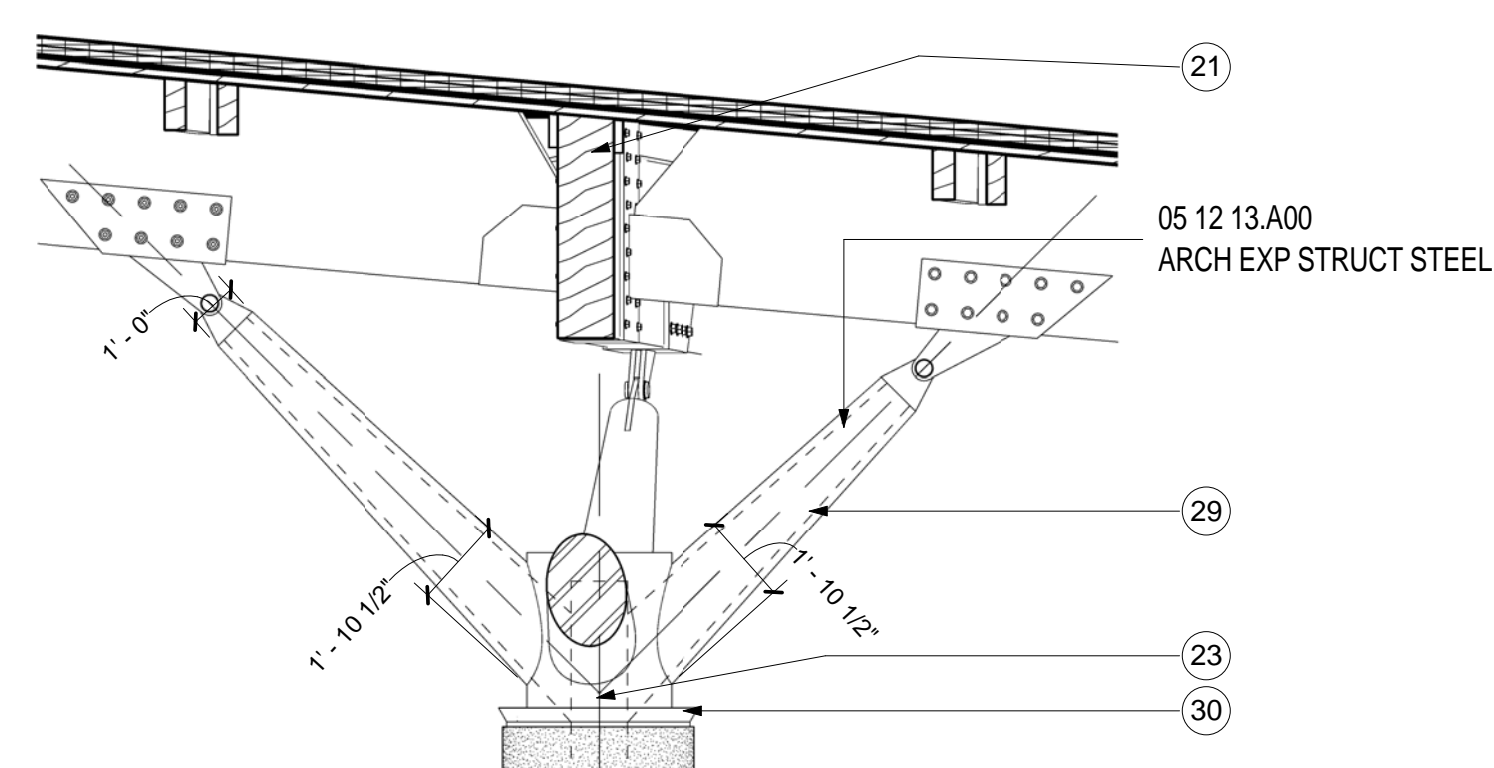


SECTION @ FLAT ROOF

SCALE: 1/4" = 1'-0"

A12.75

3

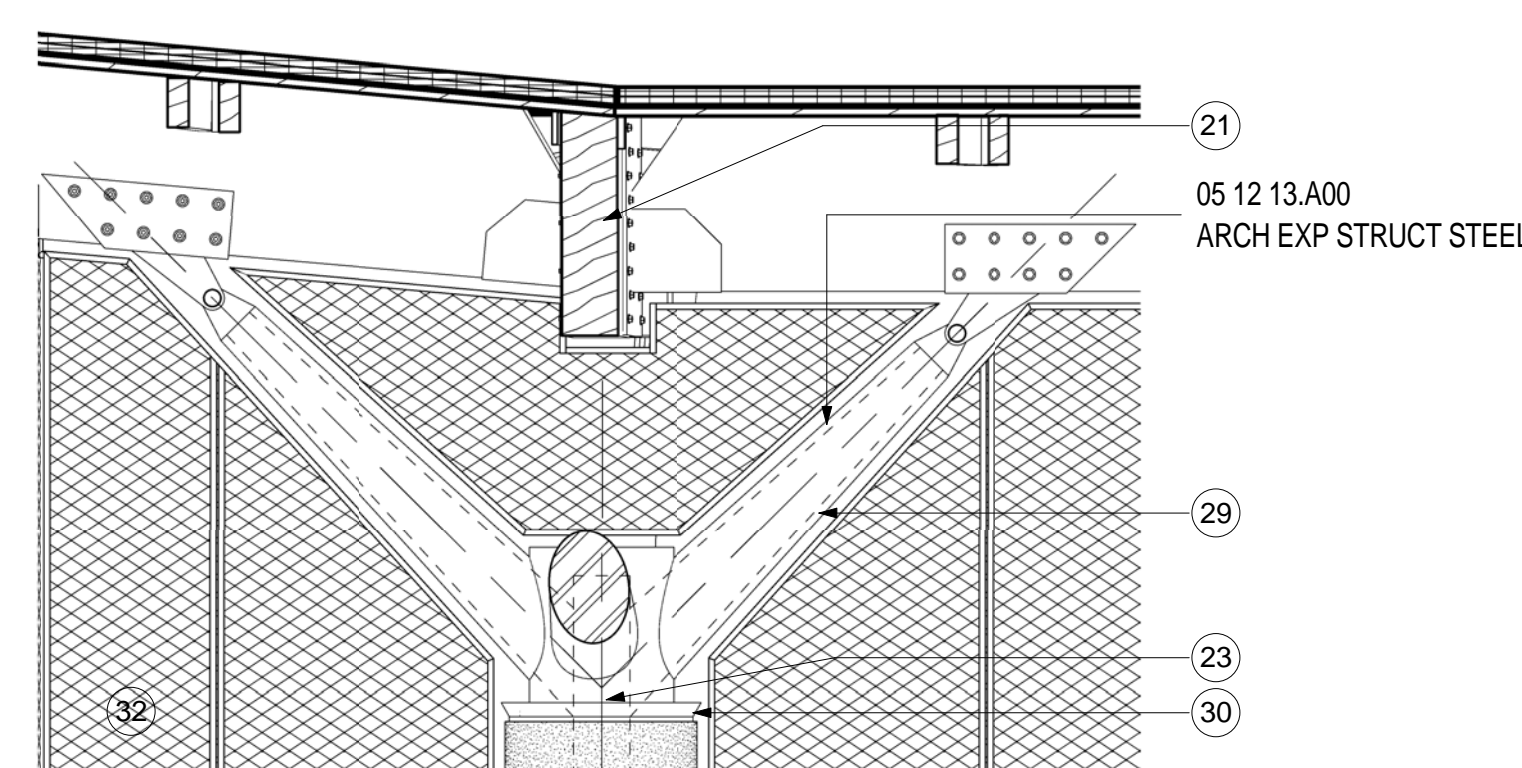


SECTION @ SLOPED ROOF

SCALE: 1/4" = 1'-0"

A12.75

14

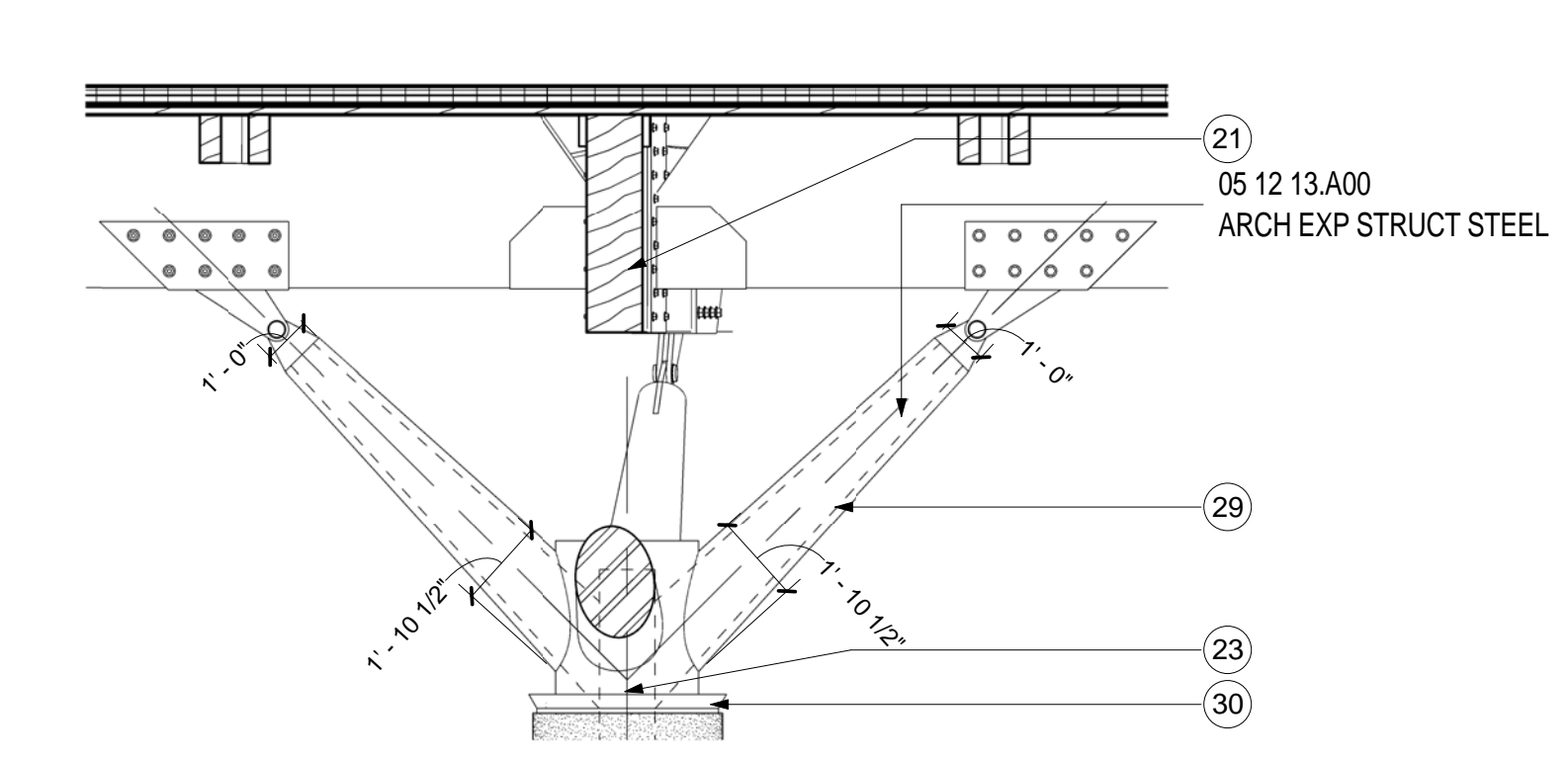


SECTION @ ROOF FOLD

SCALE: 1/4" = 1'-0"

A11.10

9

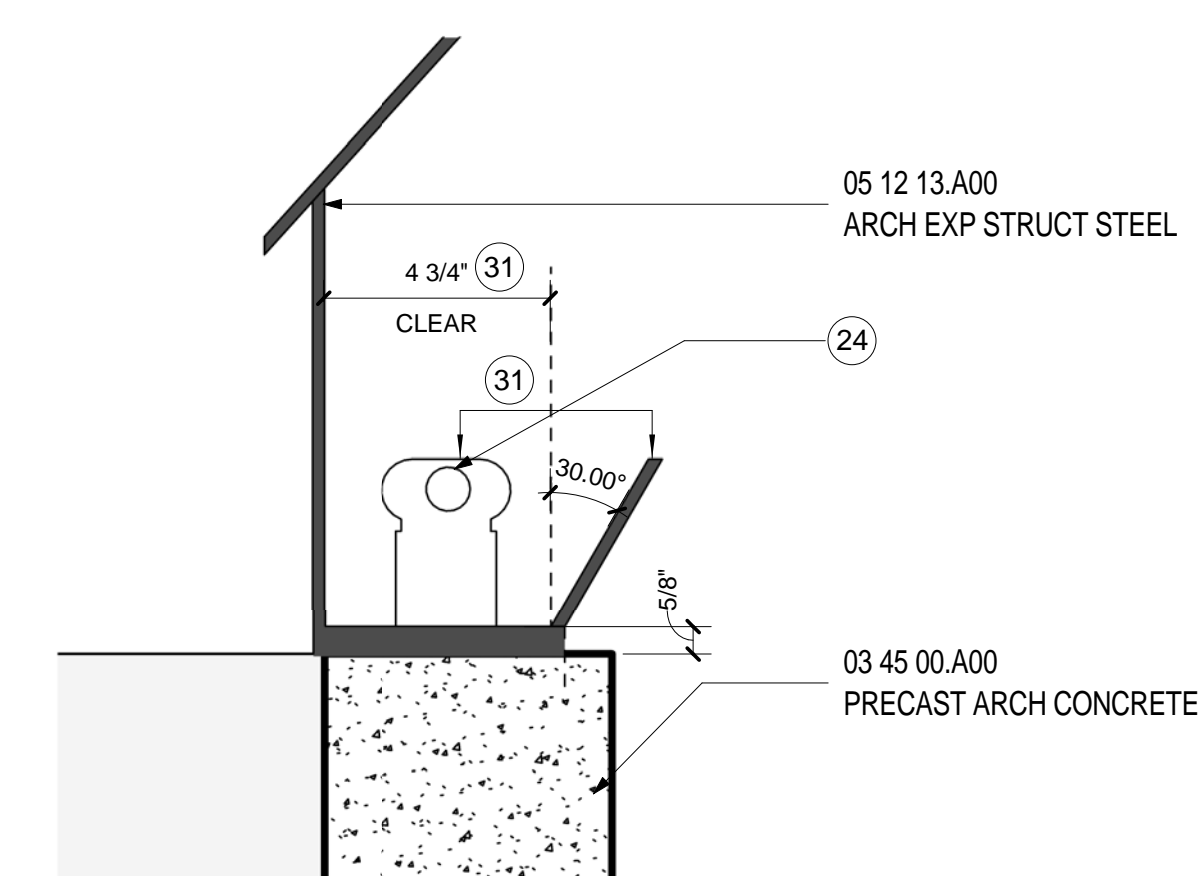


SECTION @ FLAT ROOF

SCALE: 1/4" = 1'-0"

A12.75

4



LIGHT COVE SHIELD

SCALE: 3" = 1'-0"

A12.74

5

SHEET NOTES

- 01 STRUCTURAL STEEL
- 02 EXISTING PIER WHERE OCCURS.
- 03 CONTRACTION/CONSTRUCTION JOINT. RE: STRUCTURAL ENGINEER DRAWINGS FOR MORE INFORMATION.
- 04 RAIN LEADER WHERE OCCURS. REF: PLUMBING PLANS FOR LOCATIONS.
- 05 STROBE (AS APPLICABLE)
- 06 BREAK METAL PAINTED P-02.
- 07 WALL OUTLET (AS APPLICABLE)
- 08 6" ROOF LEADER WHERE OCCURS. REF: PLUMBING PLANS FOR LOCATIONS.
- 09 FIN TUBE ENCLOSURE. RE: MECHANICAL DRAWINGS FOR FIN TUBE INFORMATION.
- 11 GATE SIGNAGE FLAG. RE: A07 SERIES SIGNAGE DRAWINGS
- 13 SCHEDULED SPEAKER WHERE OCCURS. REFER TO AV DRAWINGS FOR ADDITIONAL INFORMATION
- 14 30% OPEN AREA PERFORATED METAL INSERT. COLOR TO MATCH ADJACENT PAINT COLOR
- 15 PROVIDE BLACK FILLER
- 16 SCHEDULED FEC DEVICE WHERE OCCURS. REFER TO CONSTRUCTION PLANS FOR LOCATION AND ADDITIONAL INFORMATION
- 17 LINE OF FOLD IN PLAN
- 18 SCHEDULED TEMPERATURE SENSOR WHERE OCCURS. REFER TO MECHANICAL DRAWINGS FOR ADDITIONAL INFORMATION
- 19 SCHEDULED PARTITION. REFER TO CONSTRUCTION PLAN FOR PARTITION TYPE AND ADDITIONAL INFORMATION
- 20 STRUCTURAL PIER. REFER TO STRUCTURAL DRAWINGS FOR ADDITIONAL INFORMATION
- 21 GLU LAM. REFER TO STRUCTURAL DRAWINGS FOR ADDITIONAL INFORMATION
- 22 1/4" AESS COVER PLATE
- 23 DASHED LINE REPRESENT WELDED SEAM. TYPICAL LOCATION TO BE ALONG THE CENTERLINE OF TAPERED STRUCTURAL STEEL
- 24 SCHEDULED LIGHT FIXTURE. RE: PROJECT MANUAL FOR MORE INFORMATION.
- 25 GLU LAM BRACKET. REFER TO STRUCTURAL DRAWINGS FOR ADDITIONAL INFORMATION
- 26 OPEN TOP TO ALLOW FOR CONNECTION TO STRUCTURAL STEEL COLUMN
- 27 LINE OF COLUMN ENCLOSURE AND LIGHT COVE BELOW
- 28 AESS ENCLOSURE TO EXTEND BEYOND ROUND ENCLOSURE
- 29 TAPERED STRUCTURAL STEEL. REFER TO STRUCTURAL DRAWINGS FOR ADDITIONAL INFORMATION
- 30 LIGHT COVE SHIELD. COORDINATE HEIGHT WITH SELECTED LIGHT FIXTURE MANUFACTURES DIMENSIONS
- 31 COORDINATE CLEAR WIDTH AND HEIGHT WITH SELECTED LIGHT FIXTURE MANUFACTURES DIMENSIONS
- 32 MOCK UP; AESS TREE COLUMN
- 33 EMBED ANGLE
- 34 STRUCTURAL WIND GIRT. MAINTAIN 3/4" REVEAL AROUND STEEL
- 35 MULLION BEYOND
- 36 PRECAST PANEL TO RUN 2" ABOVE 6" STUD IN METAL SOFFIT ASSEMBLY

Portland International Jetport

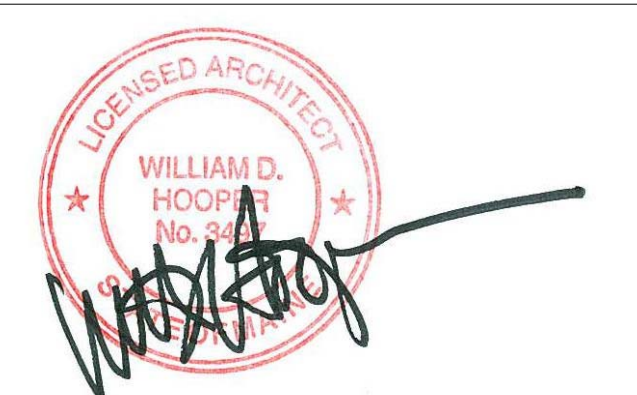
1001 Westbrook Street
Portland, Maine 04102

Gensler

2020 K Street, Northwest
Suite 200
Washington DC 20006
Telephone 202.721.5200
Facsimile 202.872.8587

Date	Description
10/26/09	ISSUED FOR PERMIT
09/01/11	ISSUED FOR CONSTRUCTION

Seal/Signature



Project Name
PWM Terminal Enhancement

Project Number
09.6395.000

Description
INTERIOR COLUMN DETAILS

Scale
As indicated

A12.75

© 2009 Gensler