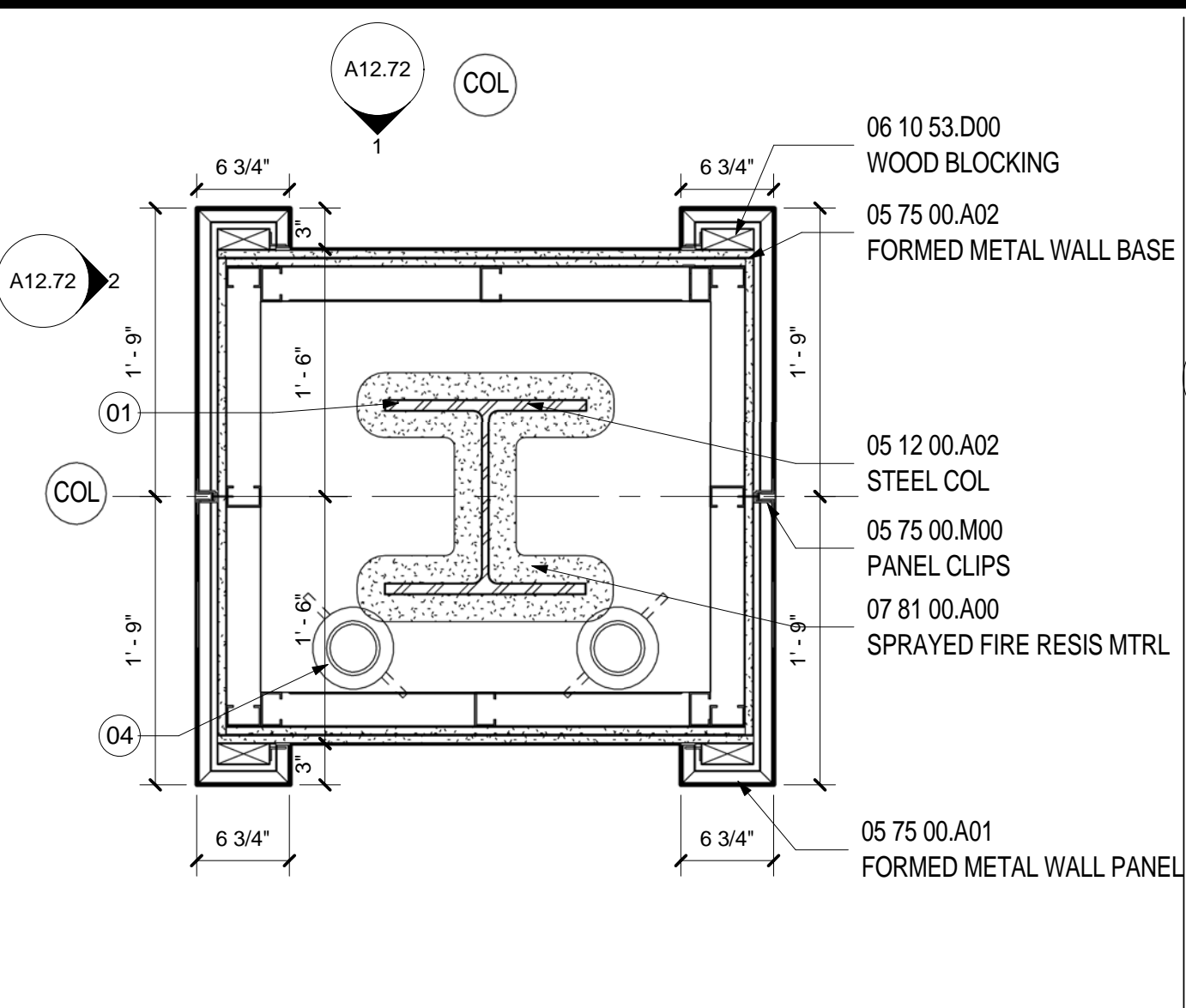
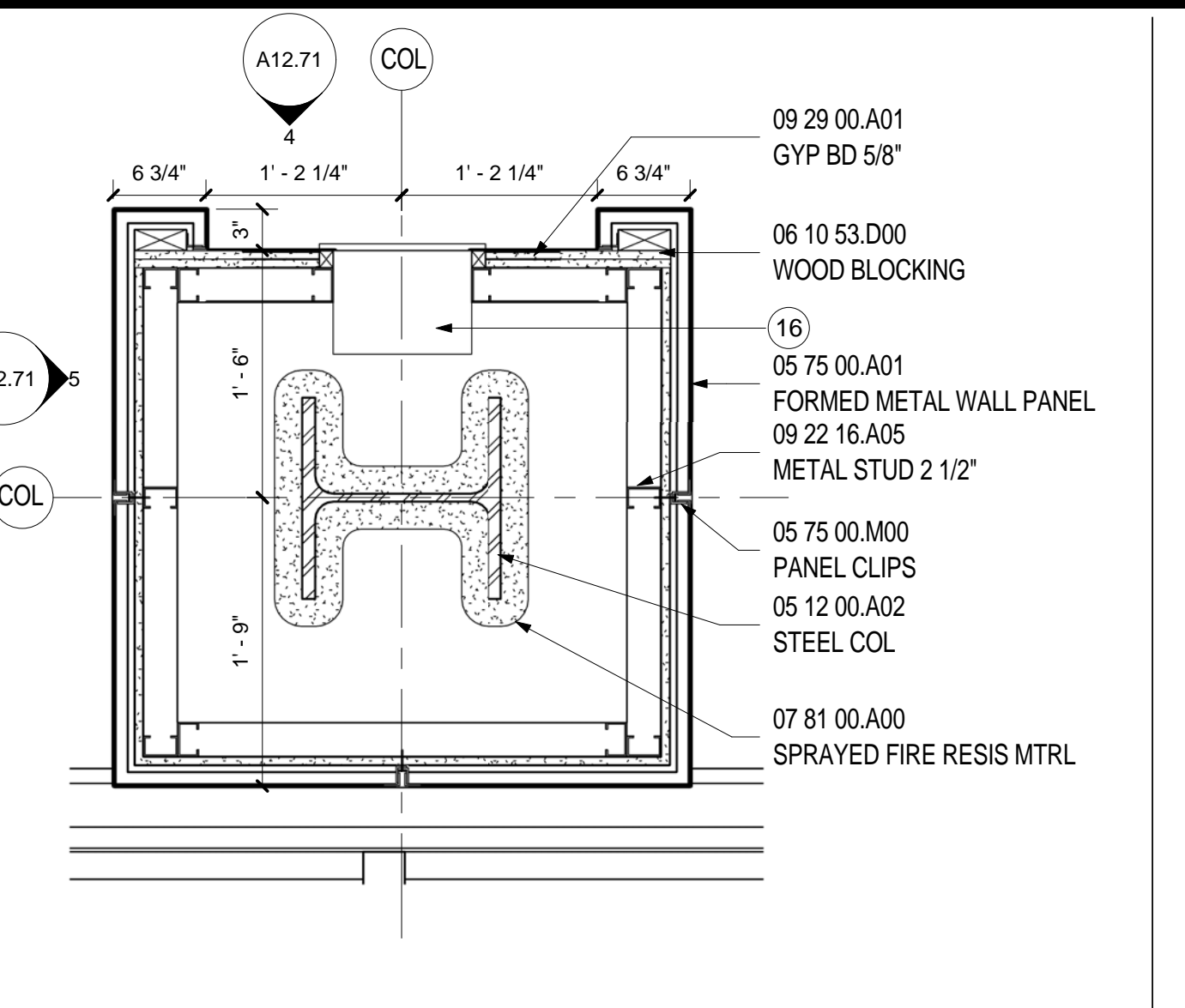


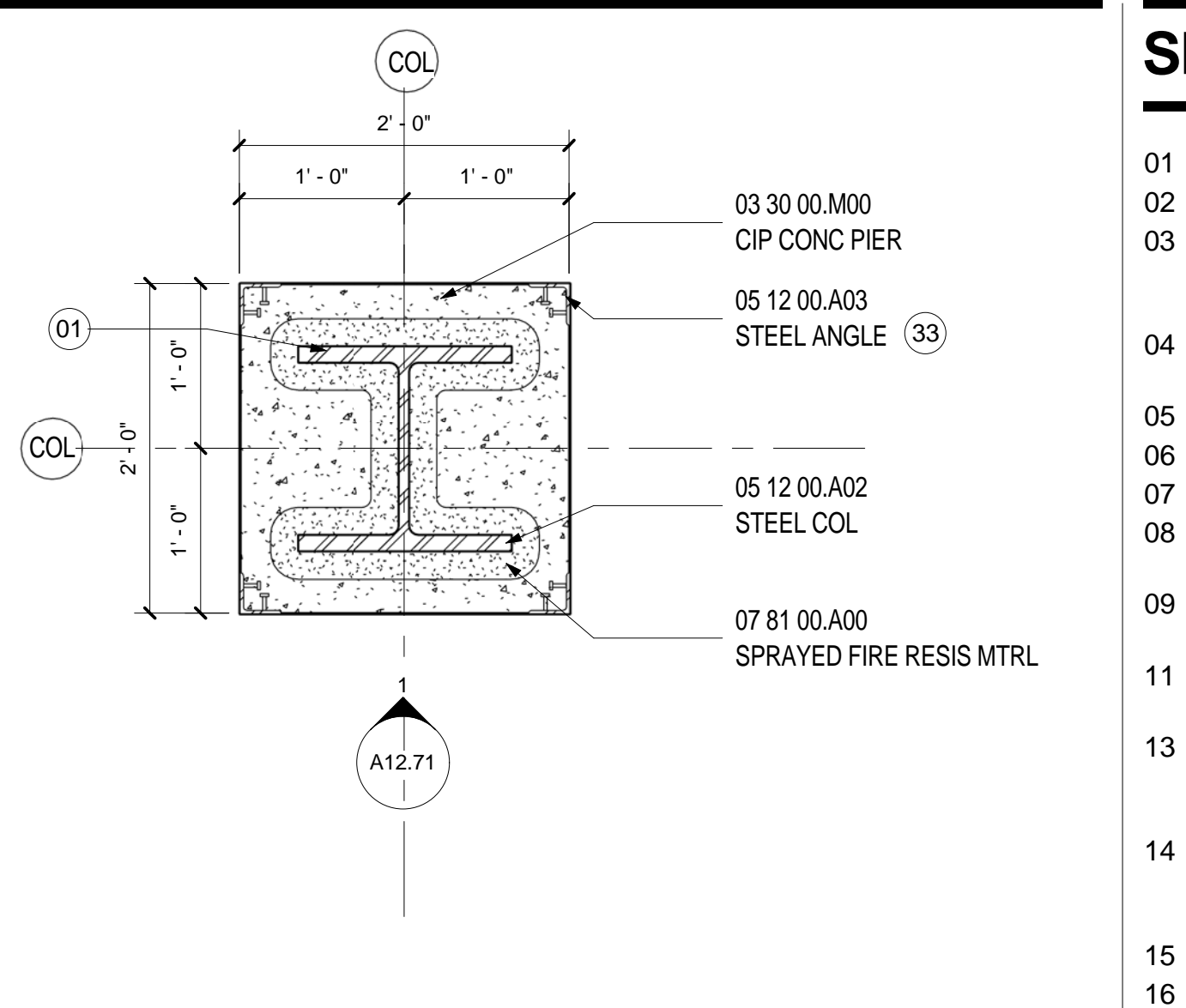
COL @ CONCOURSE E. ON LVL 3
SCALE: 1" = 1'-0"
A02.03.05 16



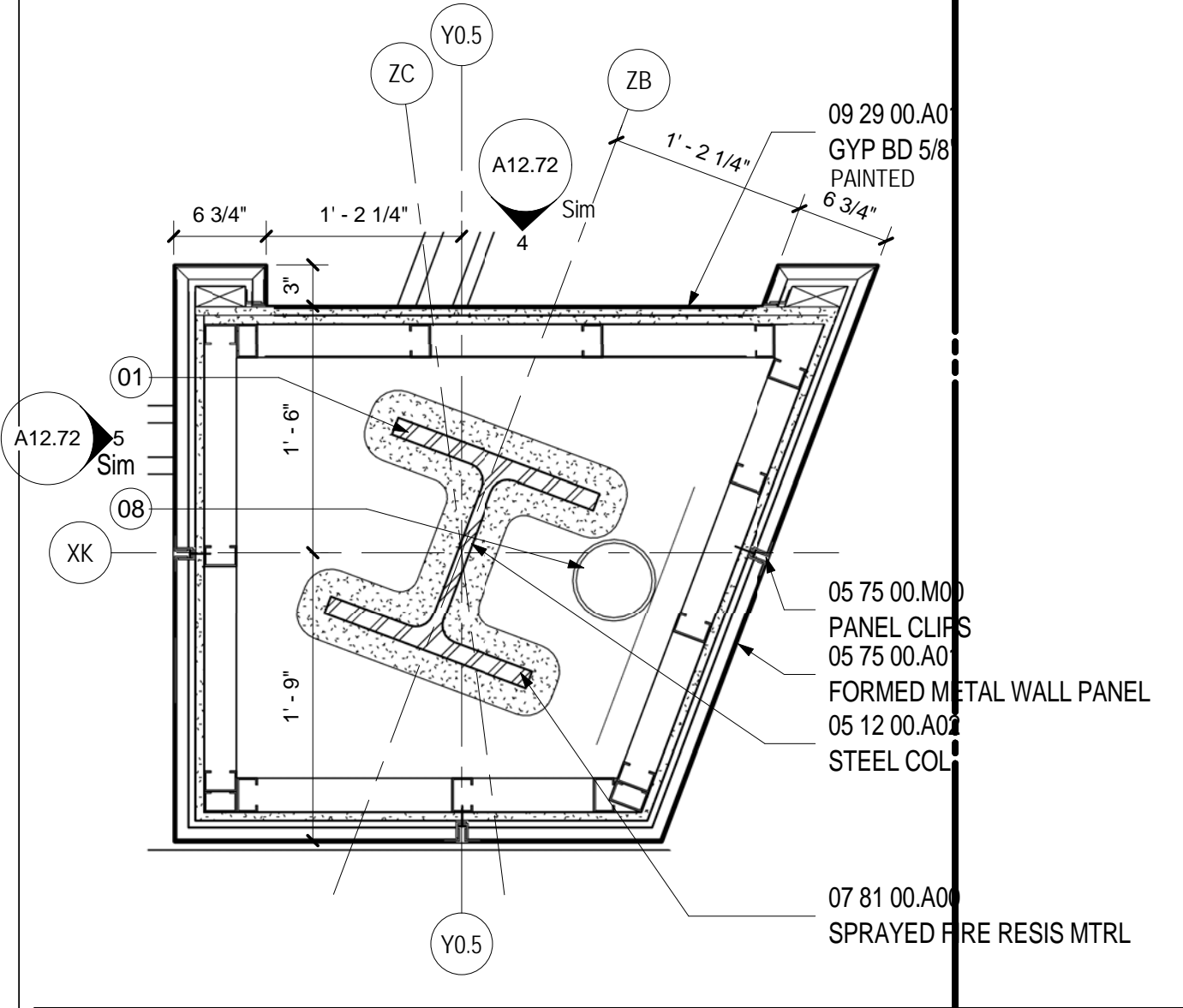
TYP. COL @ HOLDROOM
SCALE: 1" = 1'-0"
A02.02.03 11



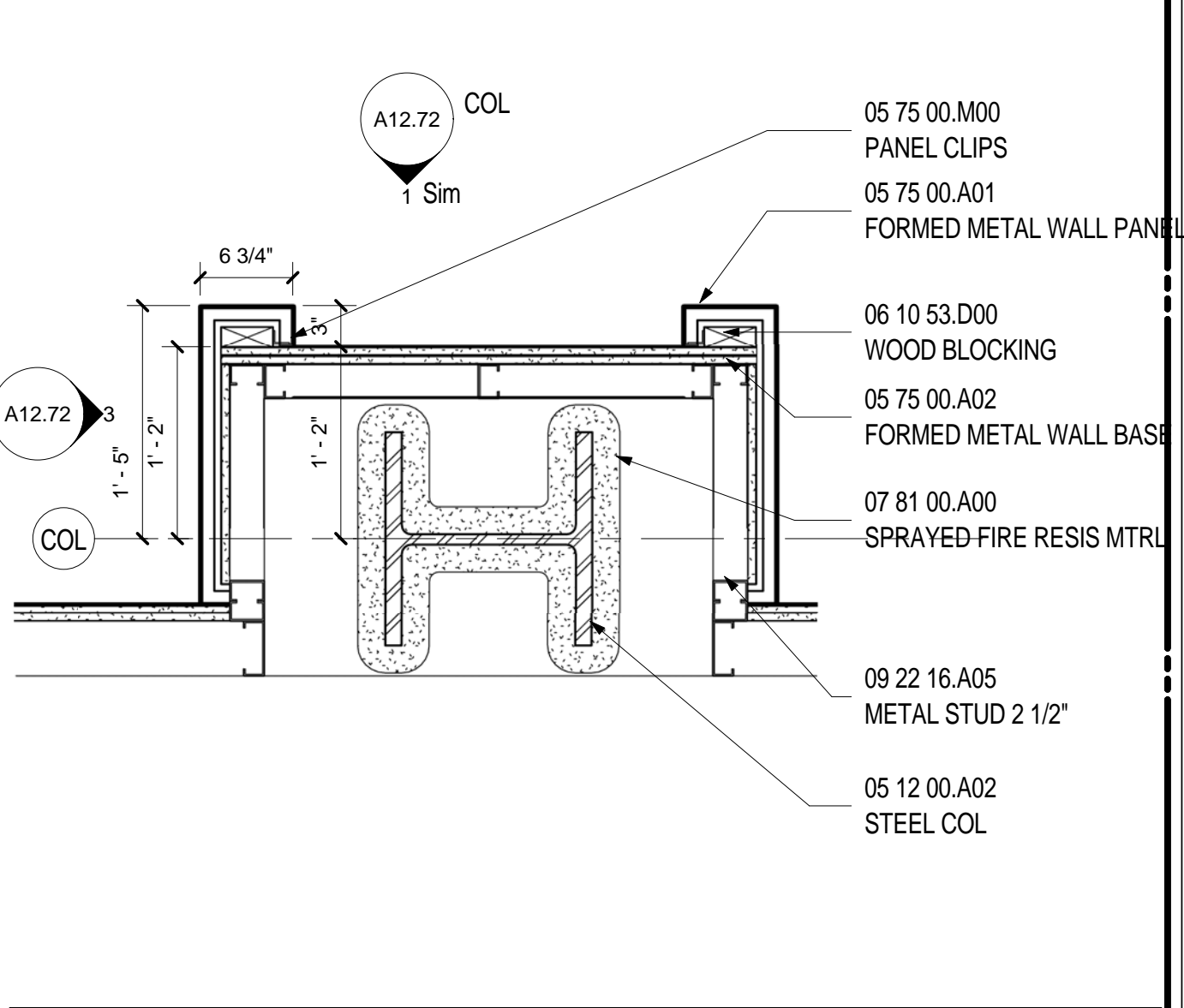
TYP. COL @ TKT HALL
SCALE: 1" = 1'-0"
A09.50 6



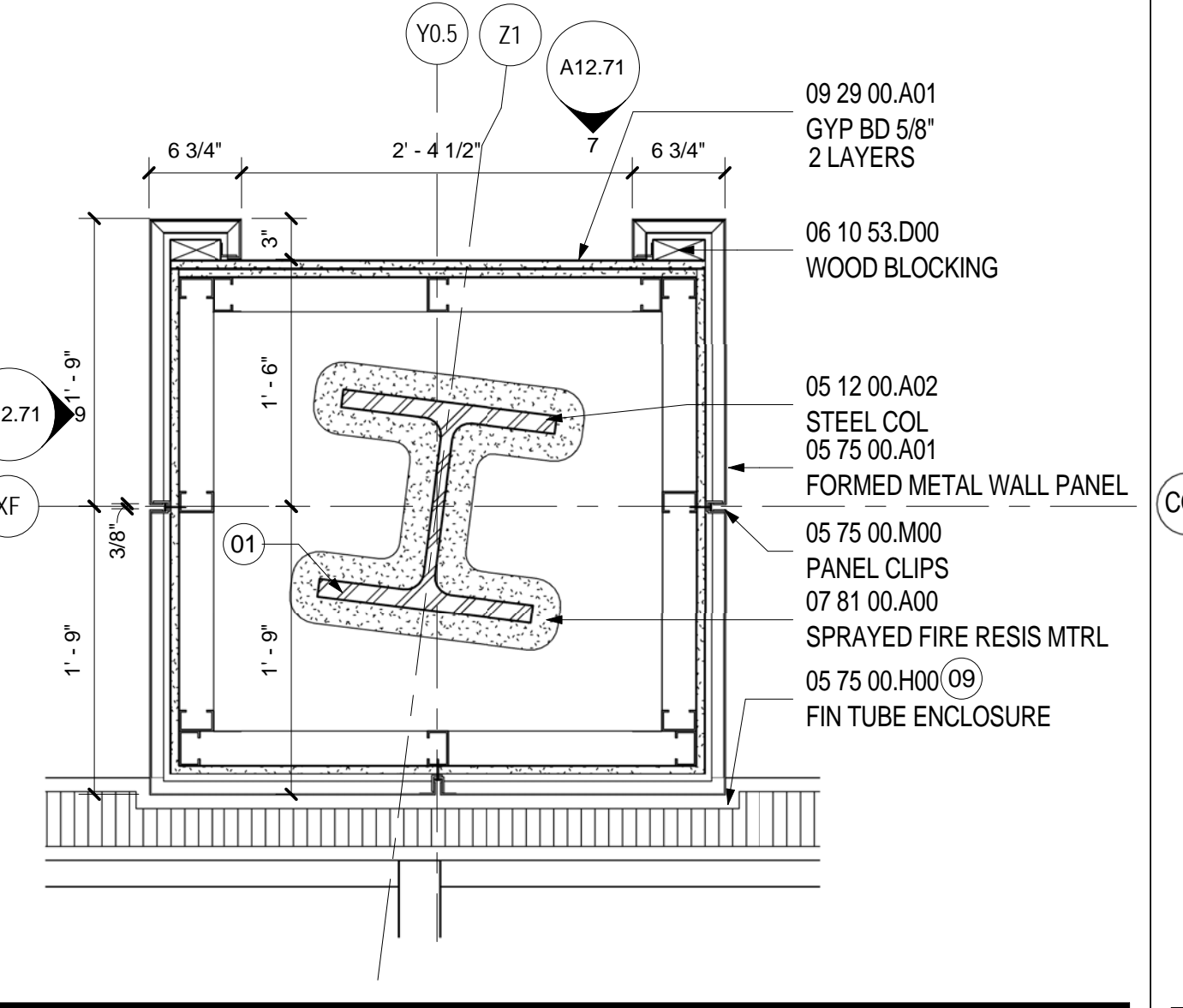
COL @ BAGGAGE OUTBOUND
SCALE: 1" = 1'-0"
A02.01.03 1



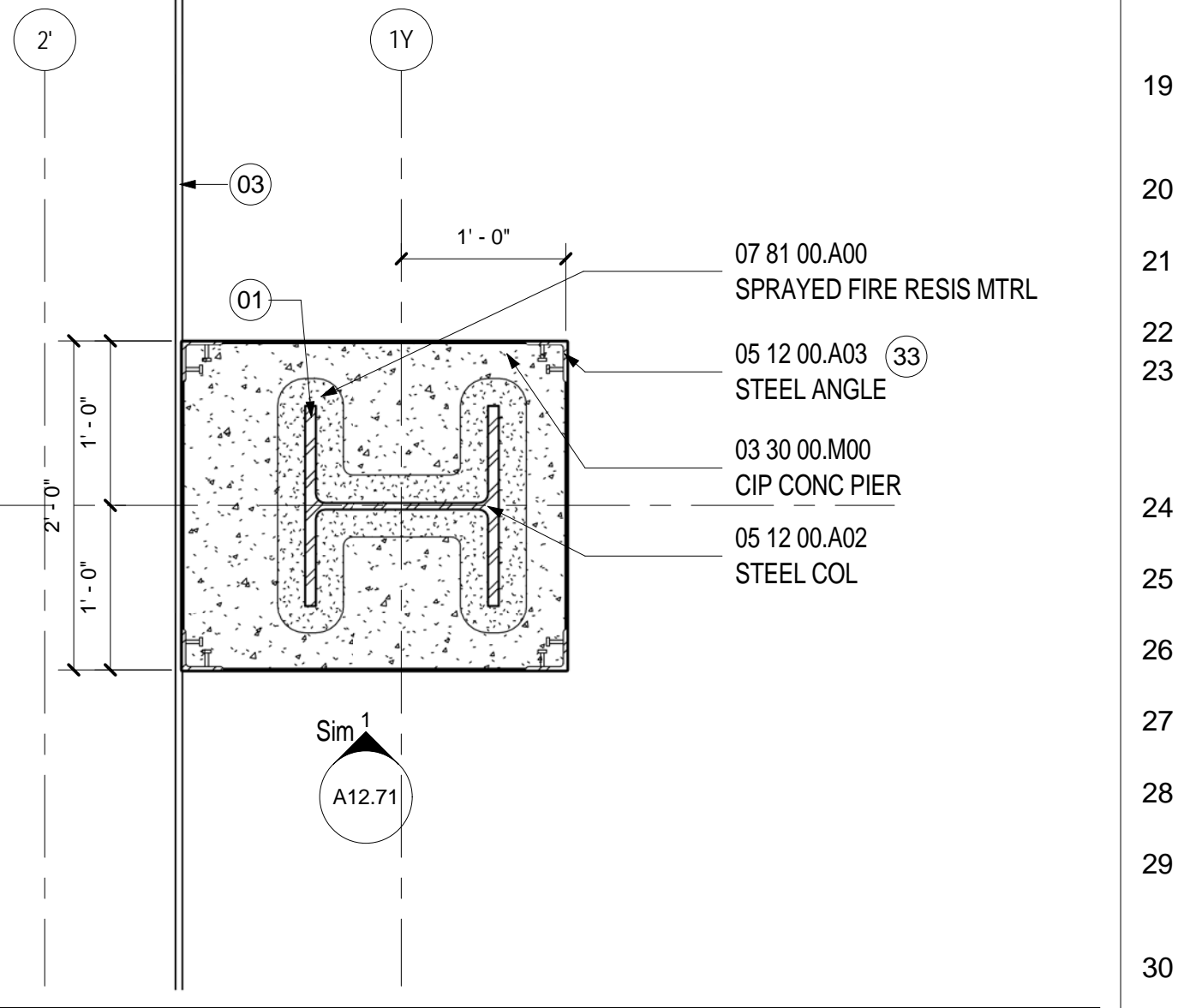
COL @ CONCOURSE E. ON LVL 4
SCALE: 1" = 1'-0"
A02.04.05 17



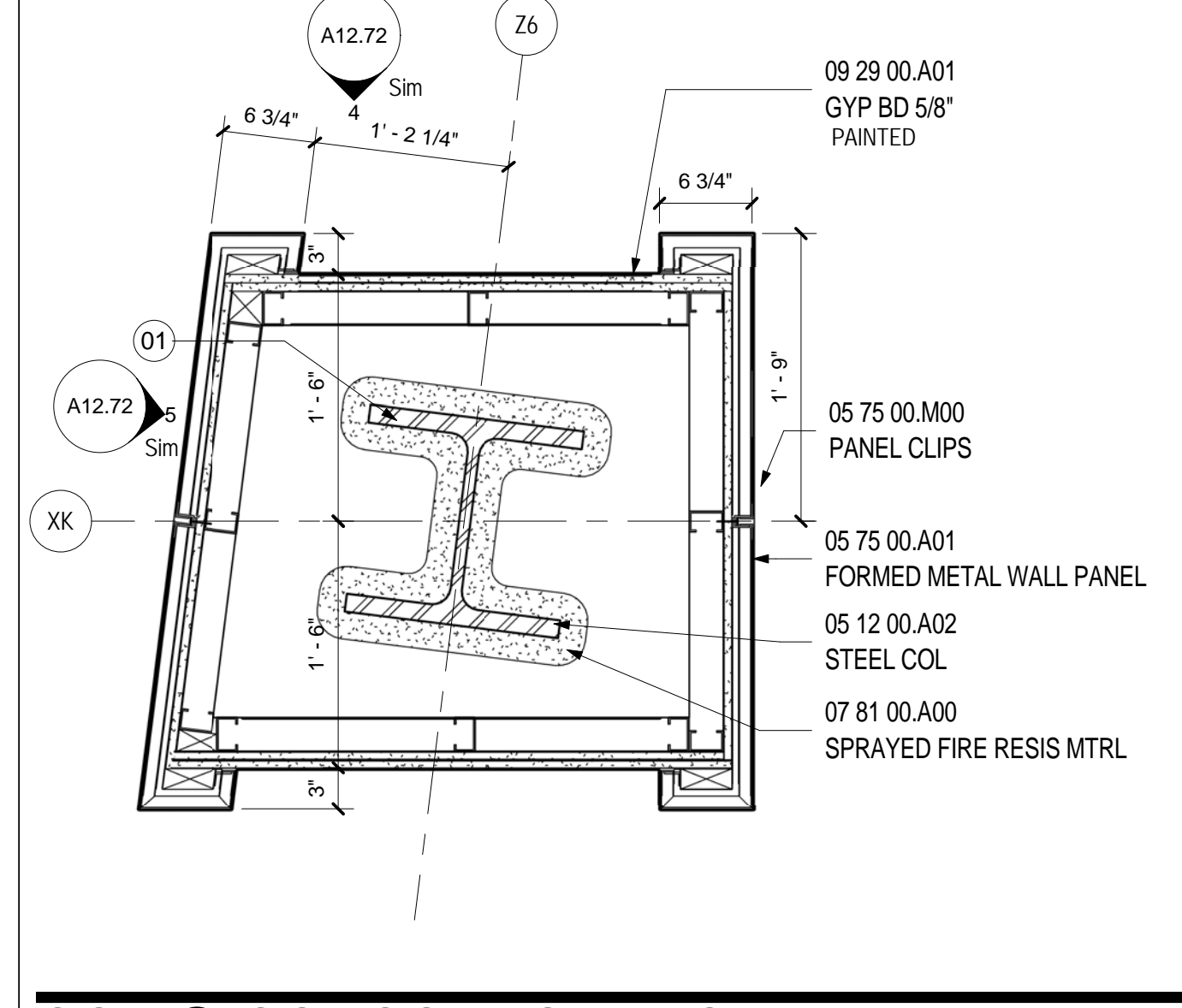
COL @ HOLDROOM PERIMETER
SCALE: 1" = 1'-0"
A09.63 12



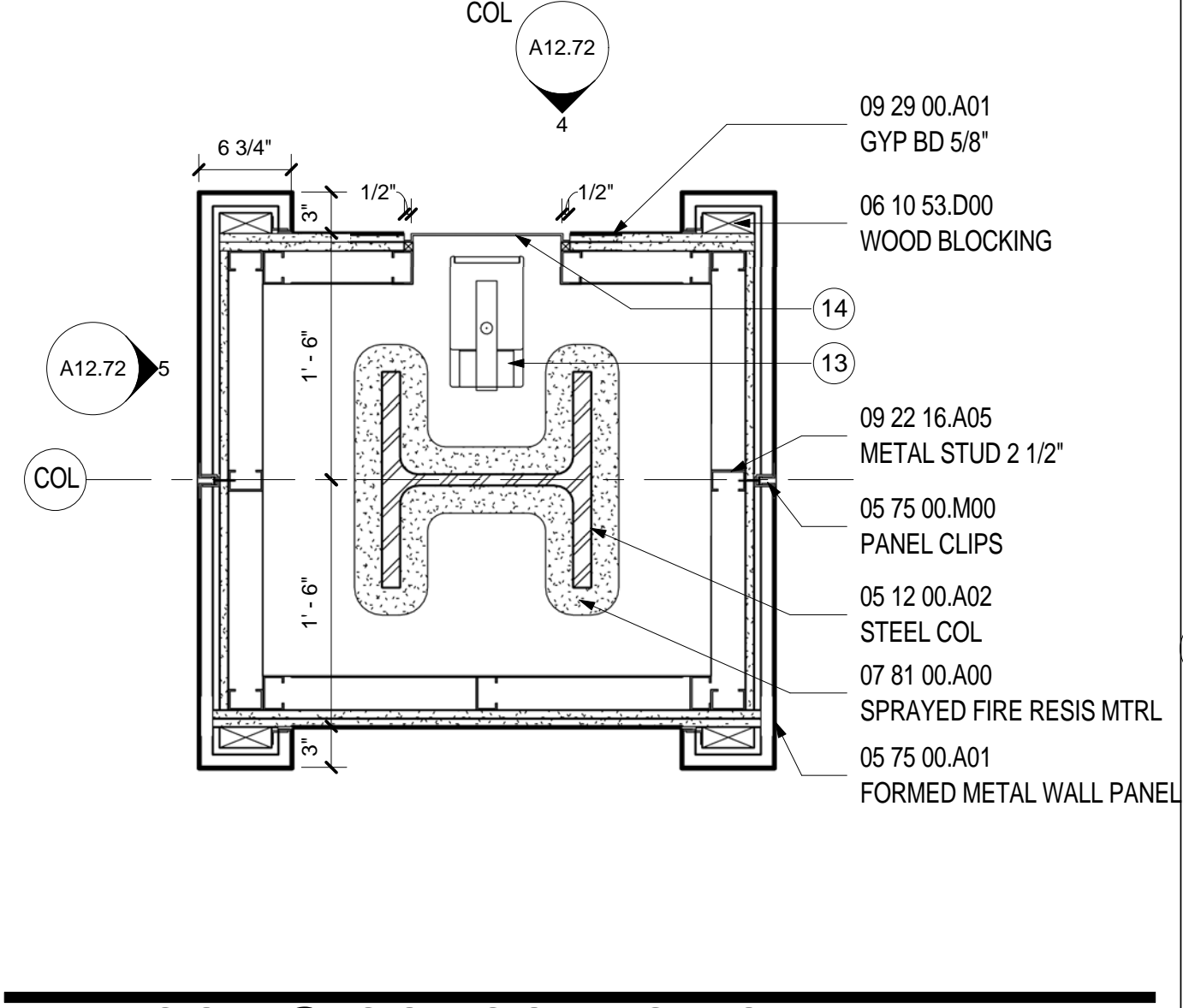
COL @ TKT HALL
SCALE: 1" = 1'-0"
A02.02.03 7



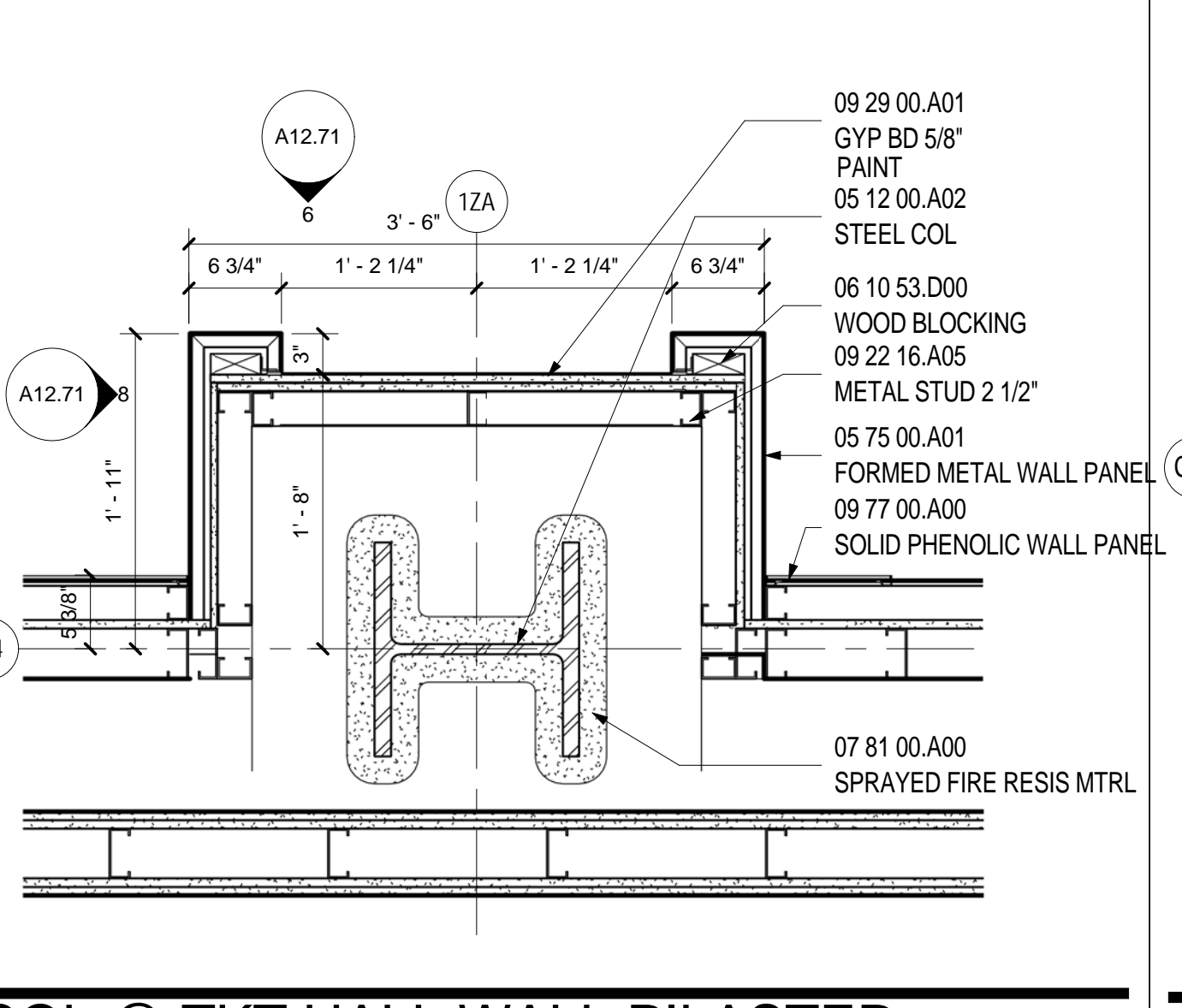
COL @ BAG OUTBOUND EXP JT
SCALE: 1" = 1'-0"
A02.01.04 2



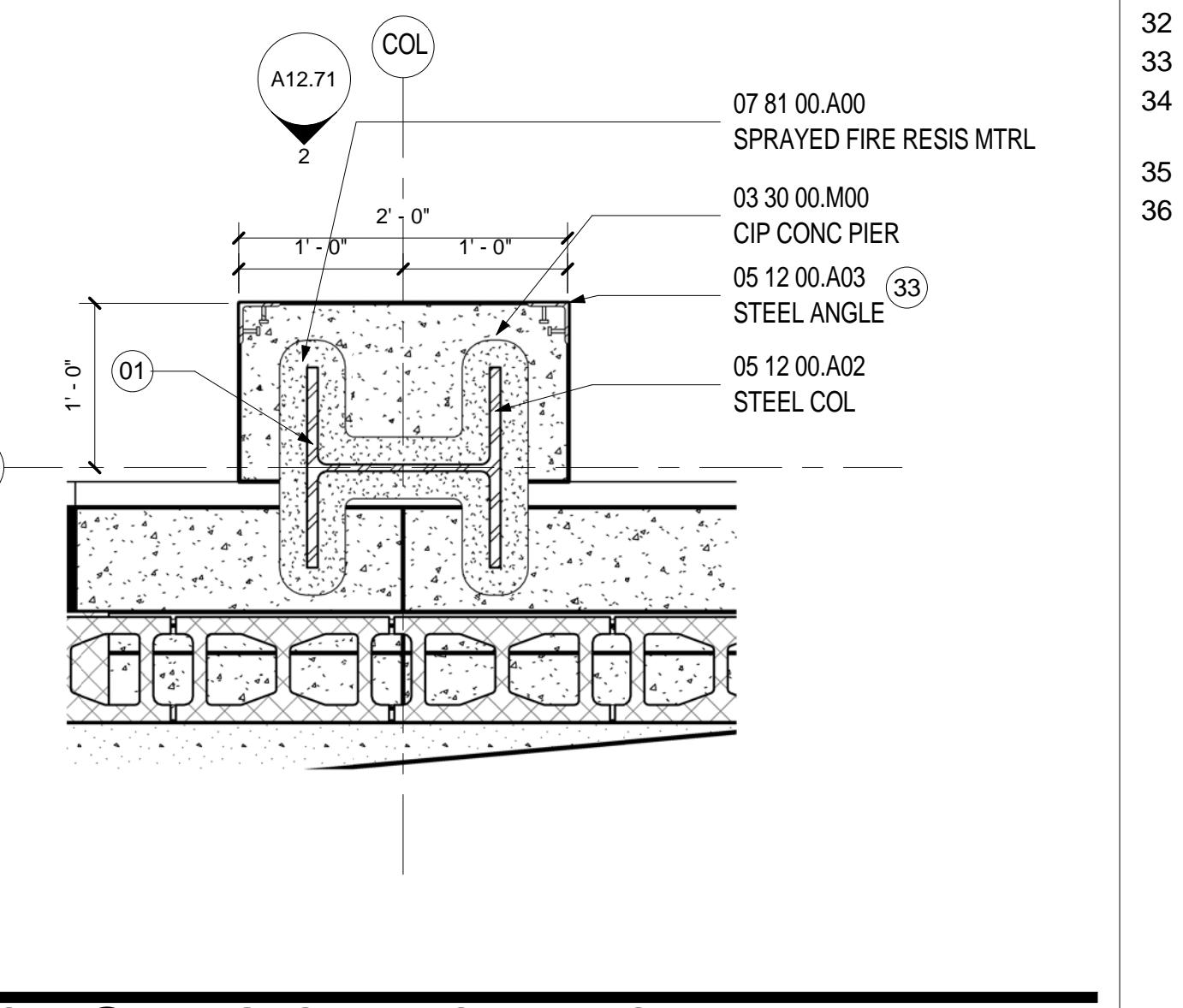
COL @ CONCOURSE W ON LVL 3
SCALE: 1" = 1'-0"
A02.03.05 18



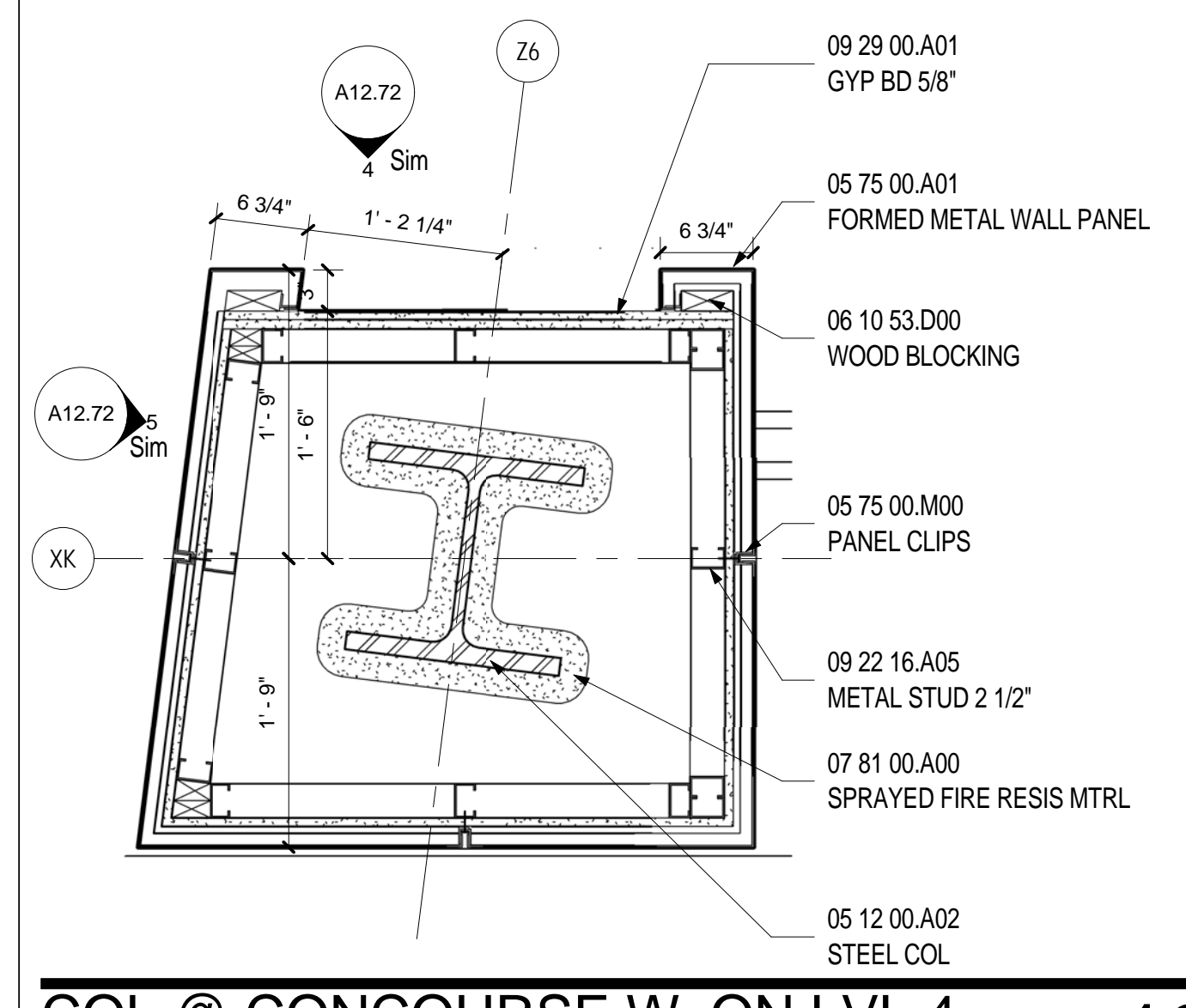
TYP. COL @ CONCOURSE ON LVL 3
SCALE: 1" = 1'-0"
A02.03.05 13



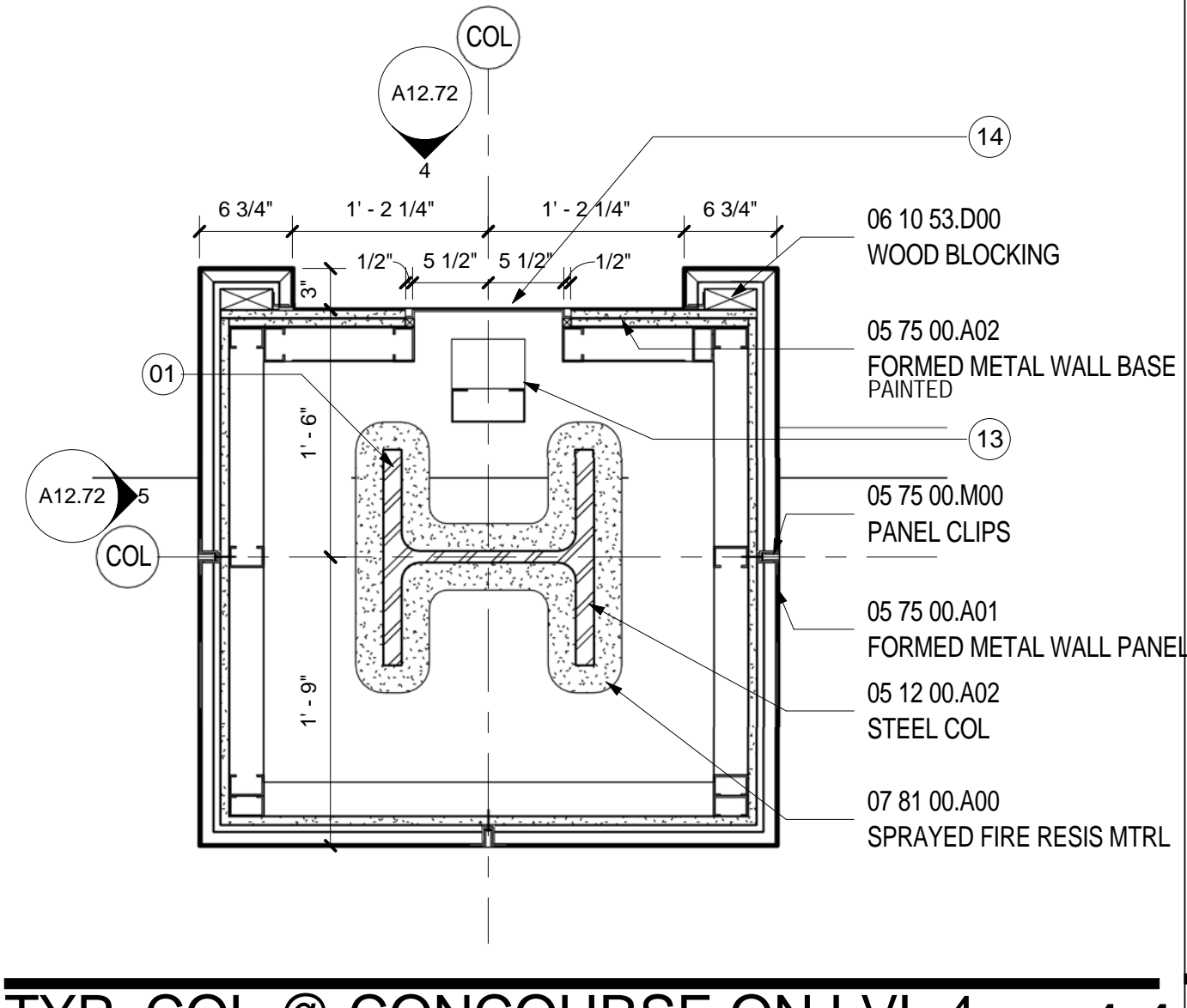
COL @ TKT HALL WALL PILASTER
SCALE: 1" = 1'-0"
A02.02.04 8



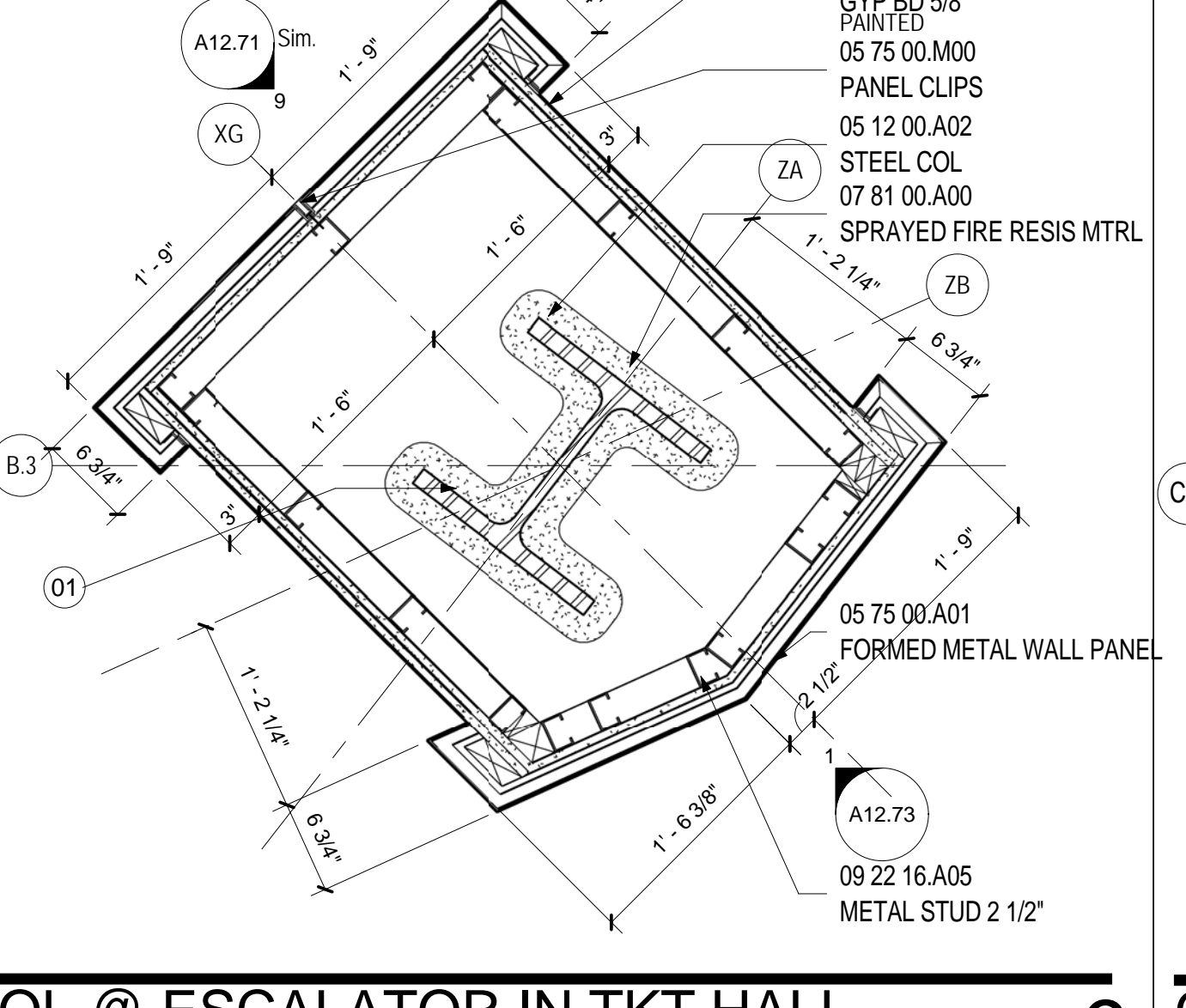
COL @ BAG OUTBOUND S. WALL
SCALE: 1" = 1'-0"
A02.01.05 3



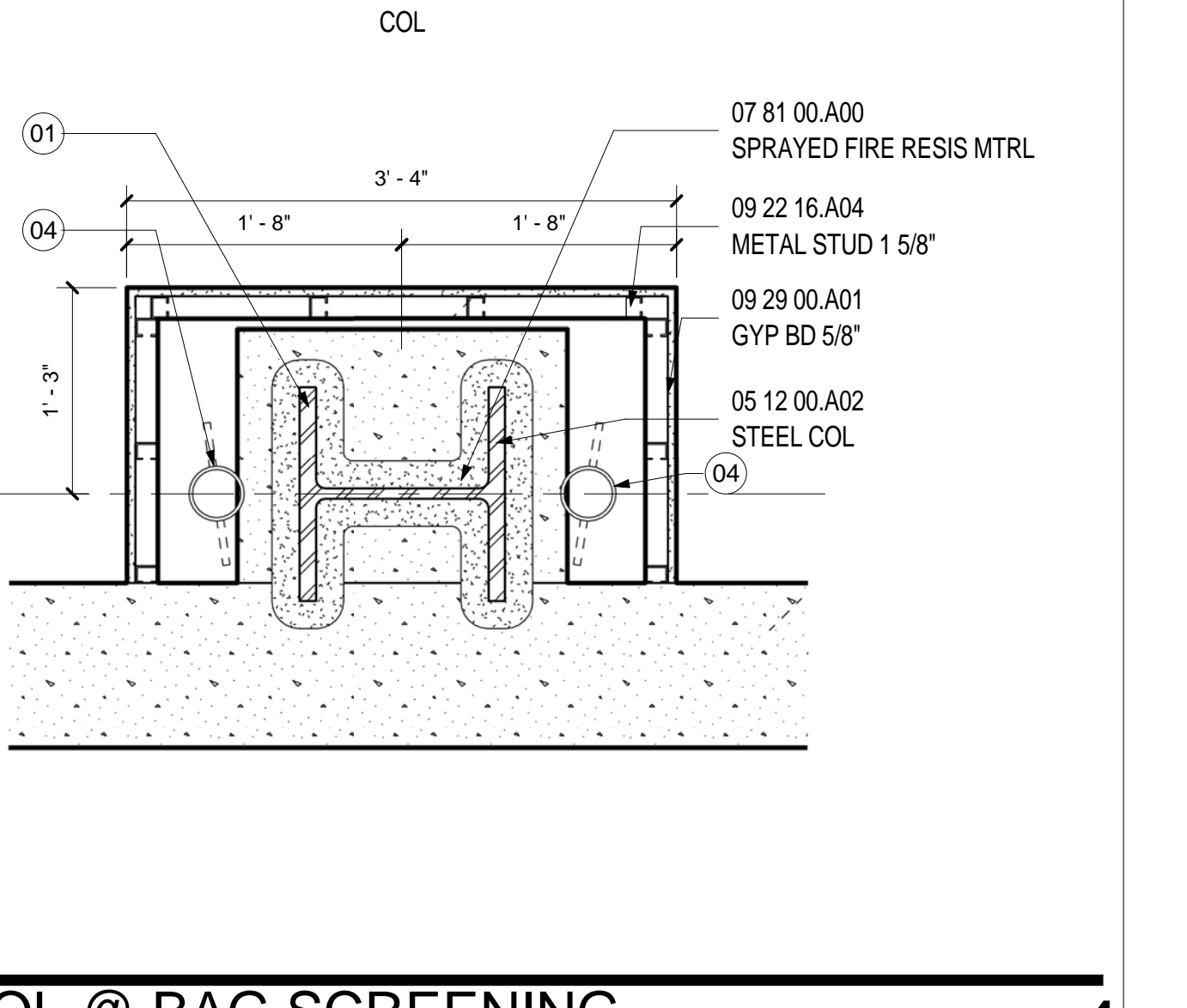
COL @ CONCOURSE W. ON LVL 4
SCALE: 1" = 1'-0"
A09.33 19



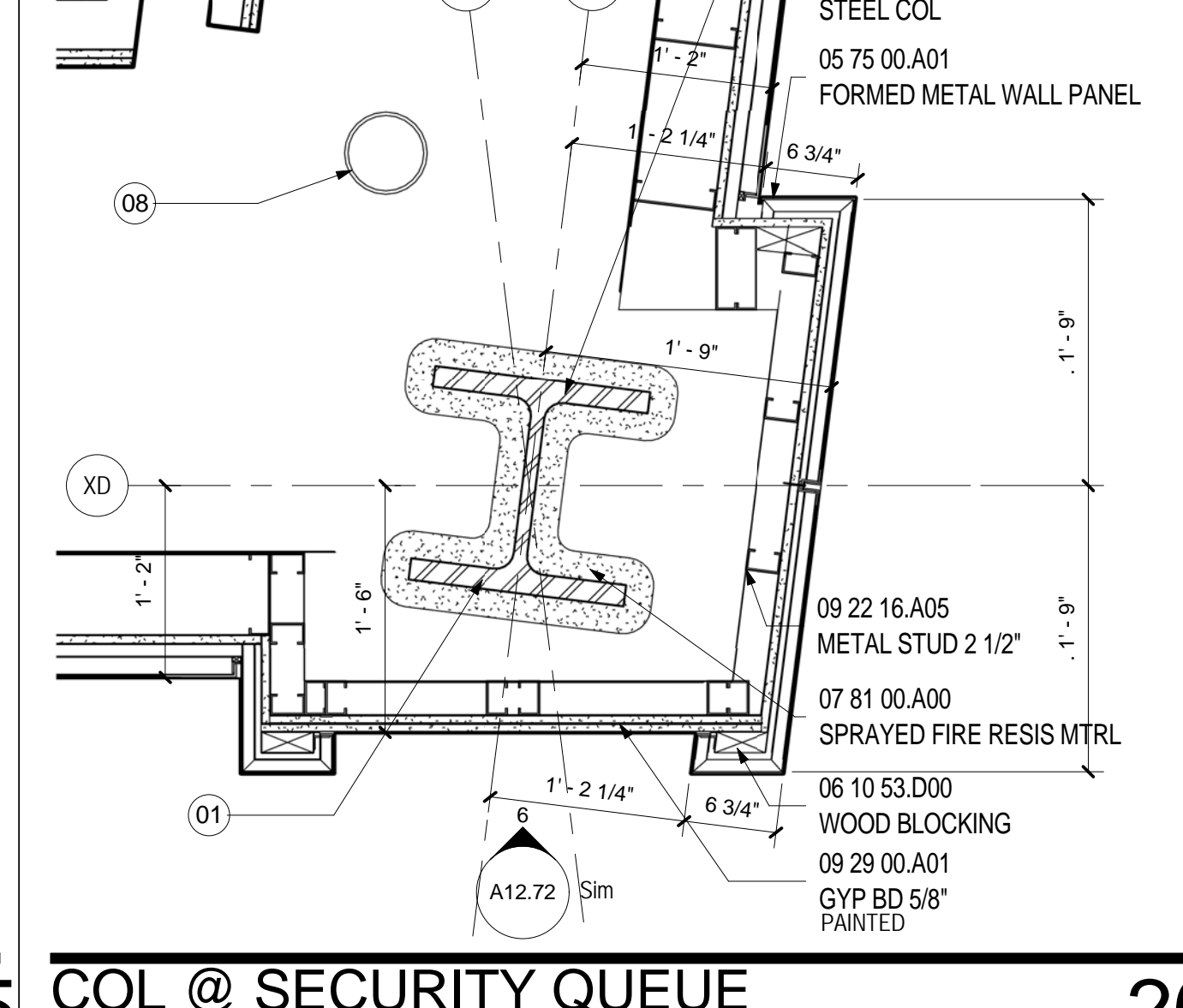
TYP. COL @ CONCOURSE ON LVL 4
SCALE: 1" = 1'-0"
A02.04.05 14



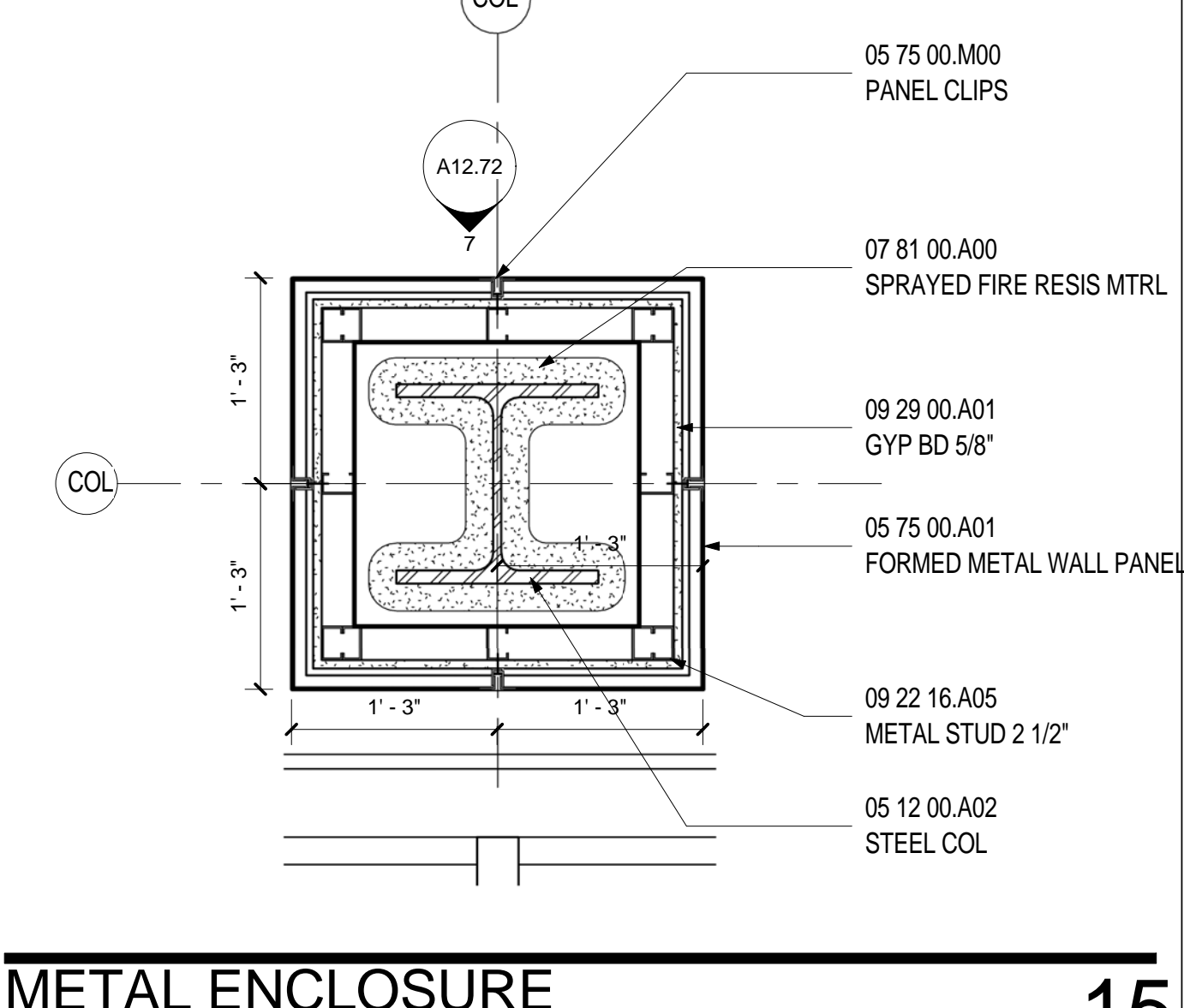
COL @ ESCALATOR IN TKT HALL
SCALE: 1" = 1'-0"
A02.02.04 9



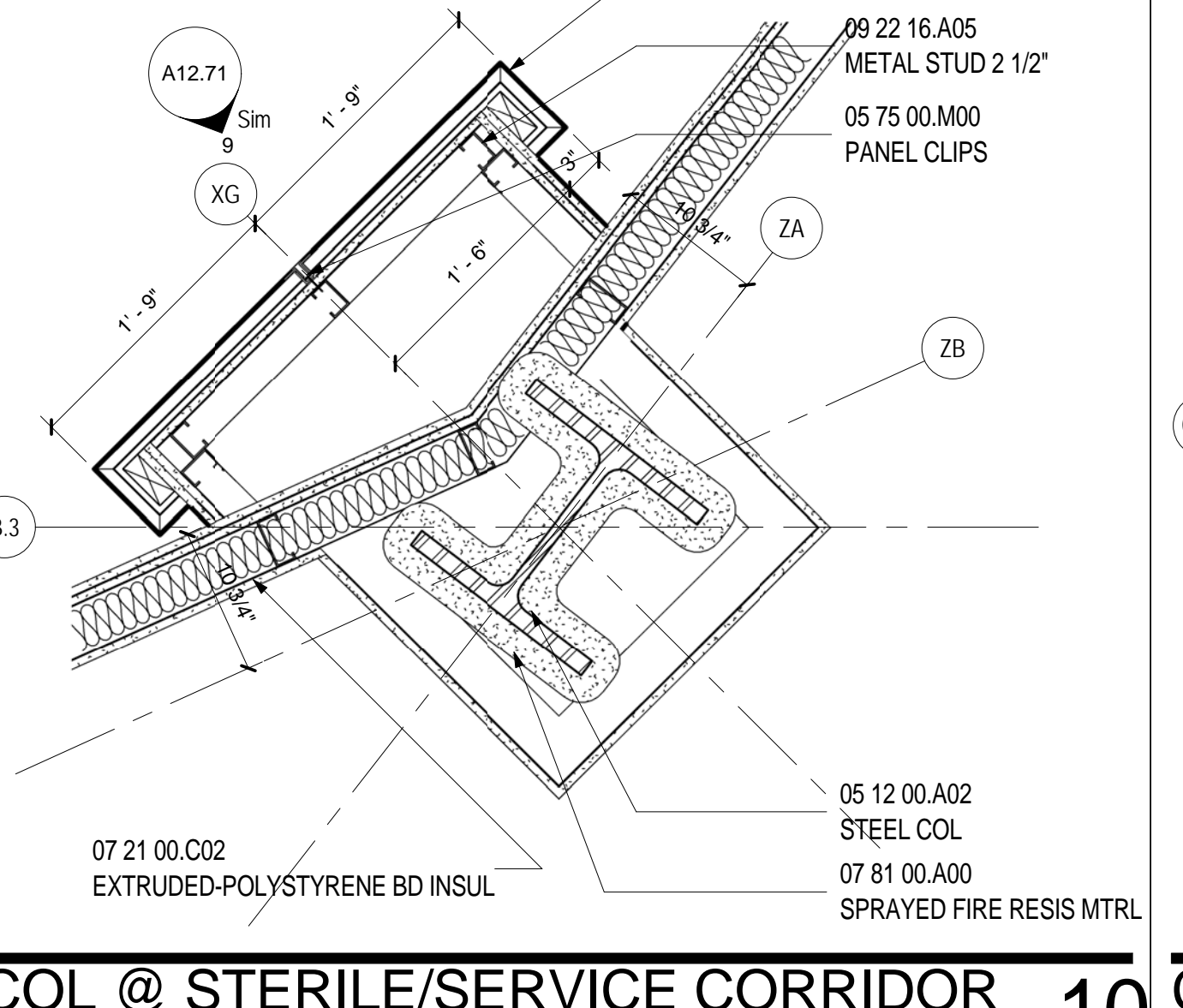
COL @ BAG SCREENING
SCALE: 1" = 1'-0"
A02.01.05 4



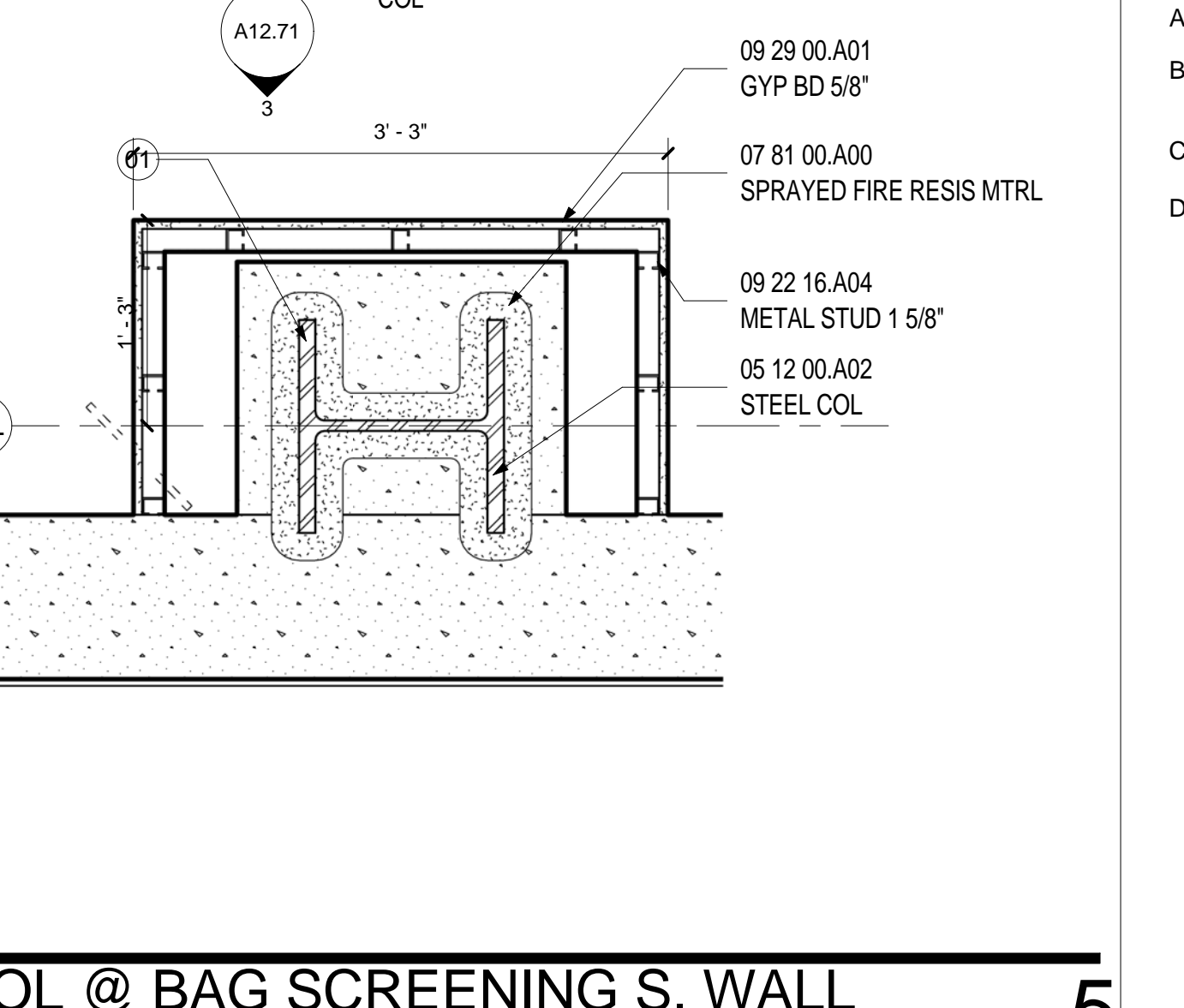
COL @ SECURITY QUEUE N. WALL
SCALE: 1" = 1'-0"
A02.04.06 25



COL @ SECURITY QUEUE
SCALE: 1" = 1'-0"
A02.04.06 20



METAL ENCLOSURE
SCALE: 1" = 1'-0"
A09.30 15



COL @ BAG SCREENING S. WALL
SCALE: 1" = 1'-0"
A02.01.05 5

- SHEET NOTES**
- STRUCTURAL STEEL
 - EXISTING PIER WHERE OCCURS.
 - CONTRACTOR/CONSTRUCTION JOINT. RE: STRUCTURAL ENGINEER DRAWINGS FOR MORE INFORMATION.
 - RAIN LEADER WHERE OCCURS. REF: PLUMBING PLANS FOR LOCATIONS.
 - STROBE (AS APPLICABLE)
 - BREAK METAL PAINTED P-02
 - WALL OUTLET (AS APPLICABLE)
 - 6\"/>

Portland International Jetport
1001 Westbrook Street
Portland, Maine 04102

Gensler
2020 K Street, Northwest
Suite 200
Washington DC 20006
Telephone 202.721.5200
Facsimile 202.872.8587

Date	Description
12/03/08	75% CONSTRUCTION DOCUMENTS
01/23/09	95% CONSTRUCTION DOCUMENTS
10/26/09	ISSUED FOR PERMIT
145 09/01/11	ISSUED FOR CONSTRUCTION

- GENERAL NOTES**
- COLUMN COVERS GENERALLY TO BE 6\"/>

Seal/Signature

WILLIAM D. HOOPER

Project Name
PJM Terminal Enhancement

Project Number
09.6395.000

Description
INTERIOR COLUMN DETAILS

Scale
As indicated

A12.70

© 2009 Gensler