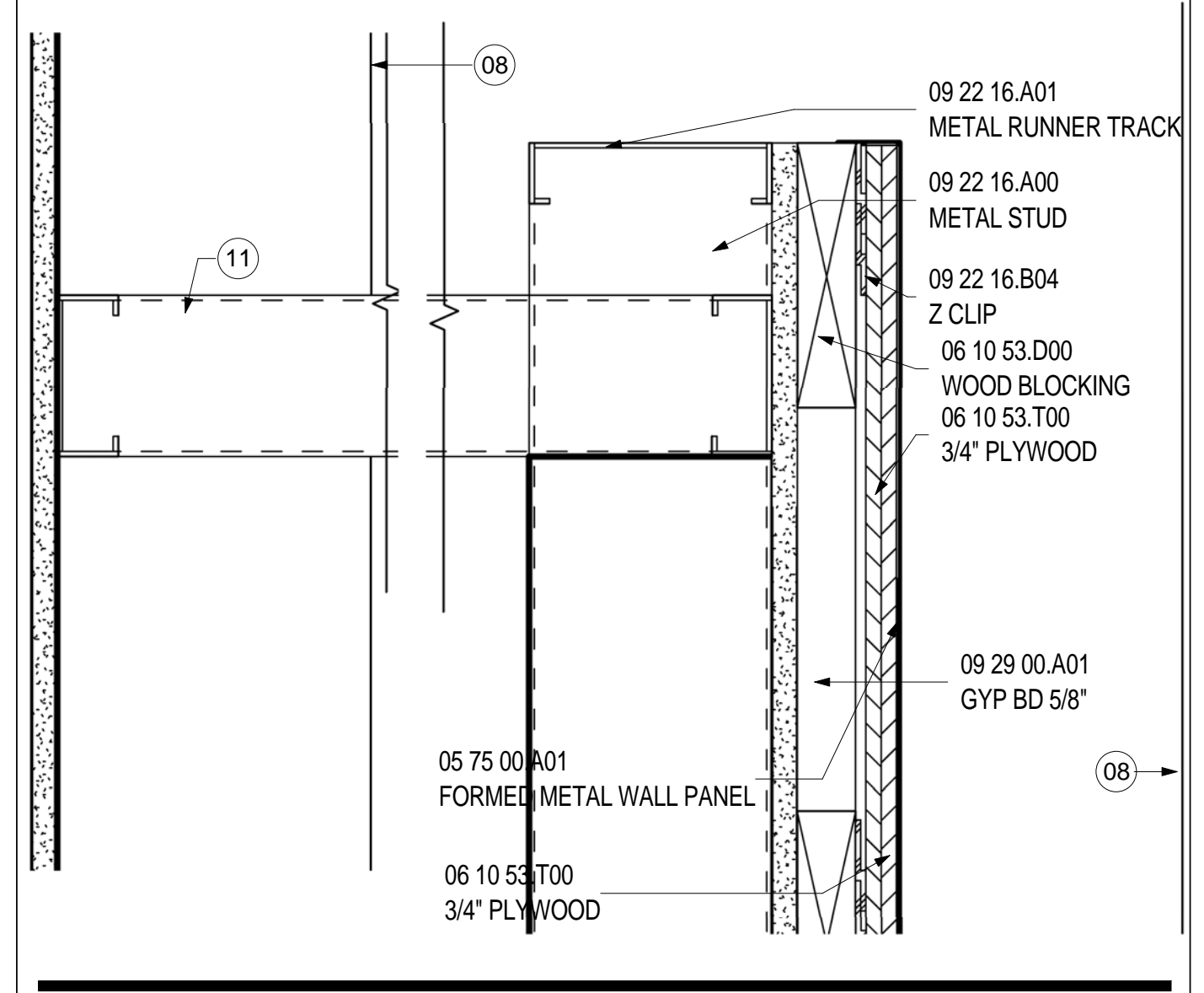
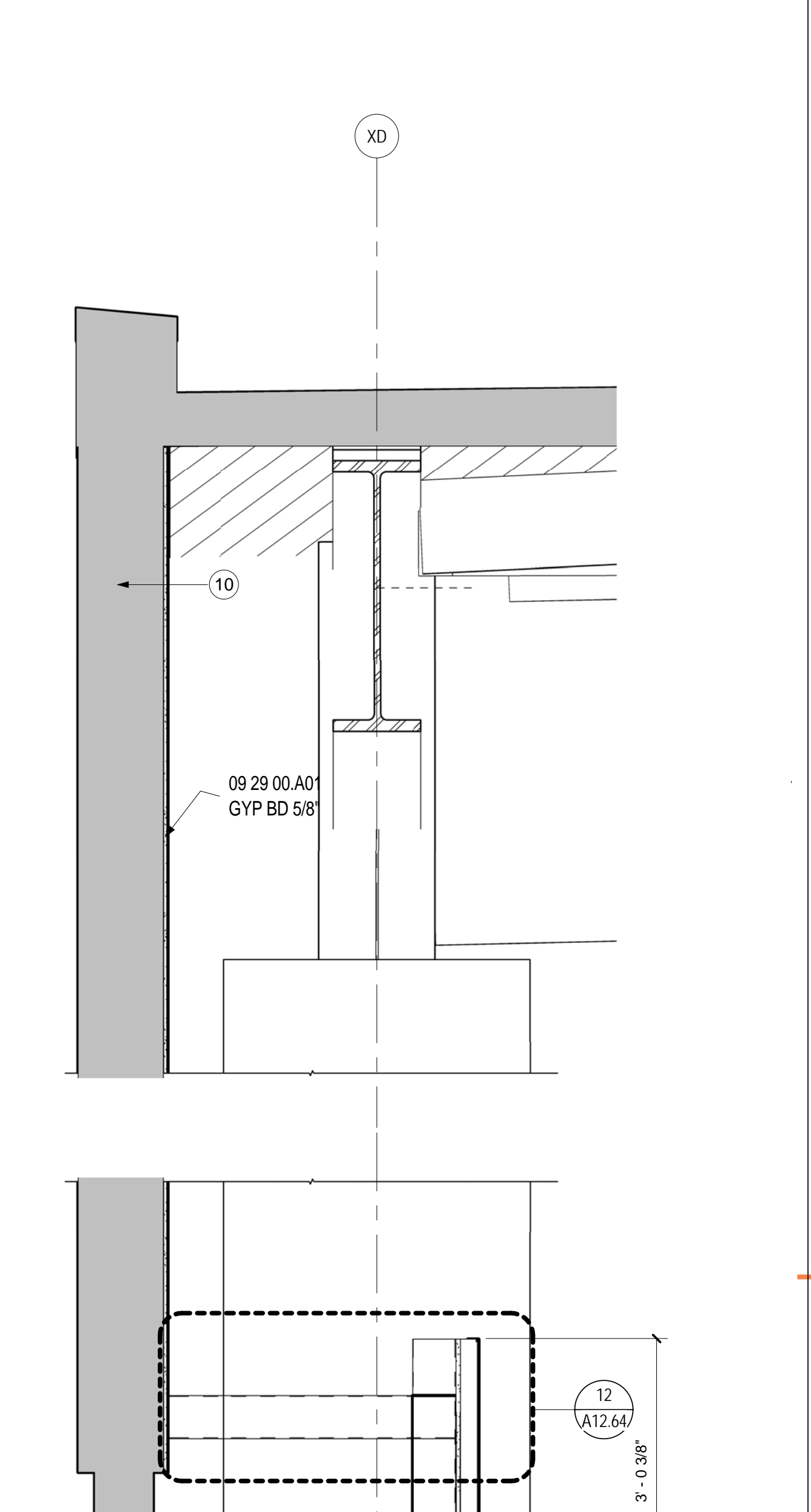


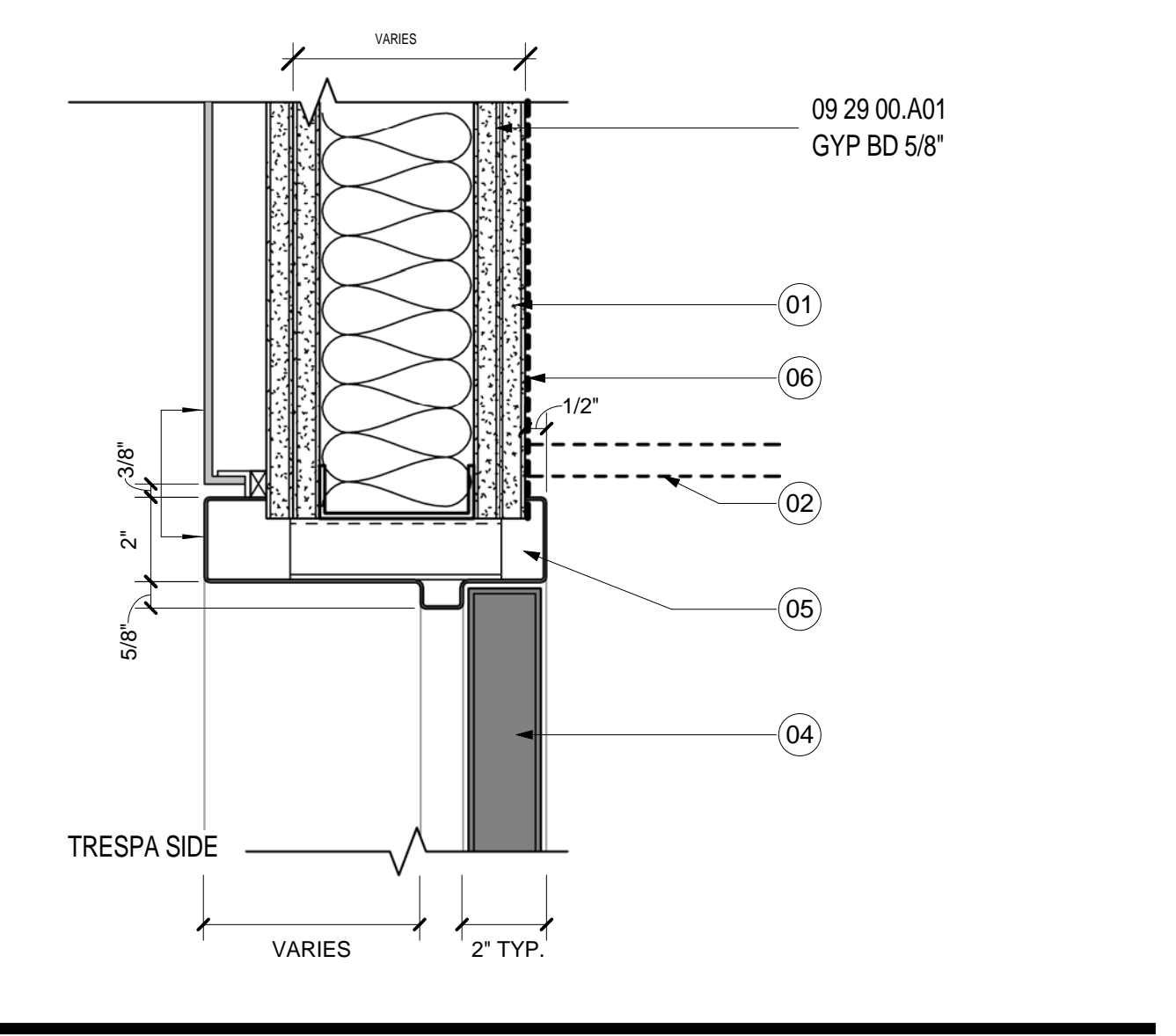
HEAD - DOOR TYPE A4 AT TEMP GATE 17
SCALE: 3" = 1'-0"



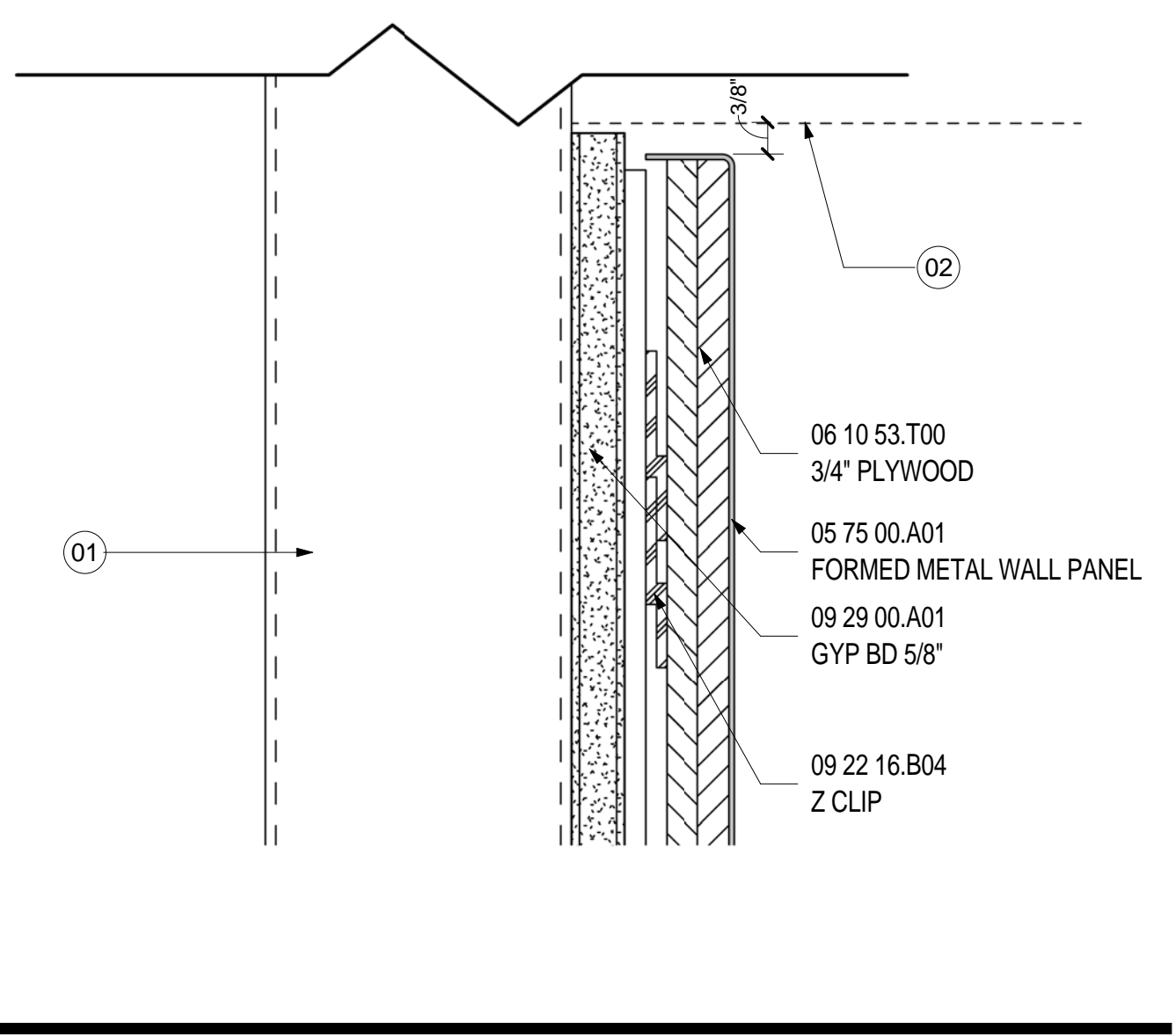
SILL DETAIL AT METAL WALL PANEL
SCALE: 3" = 1'-0"



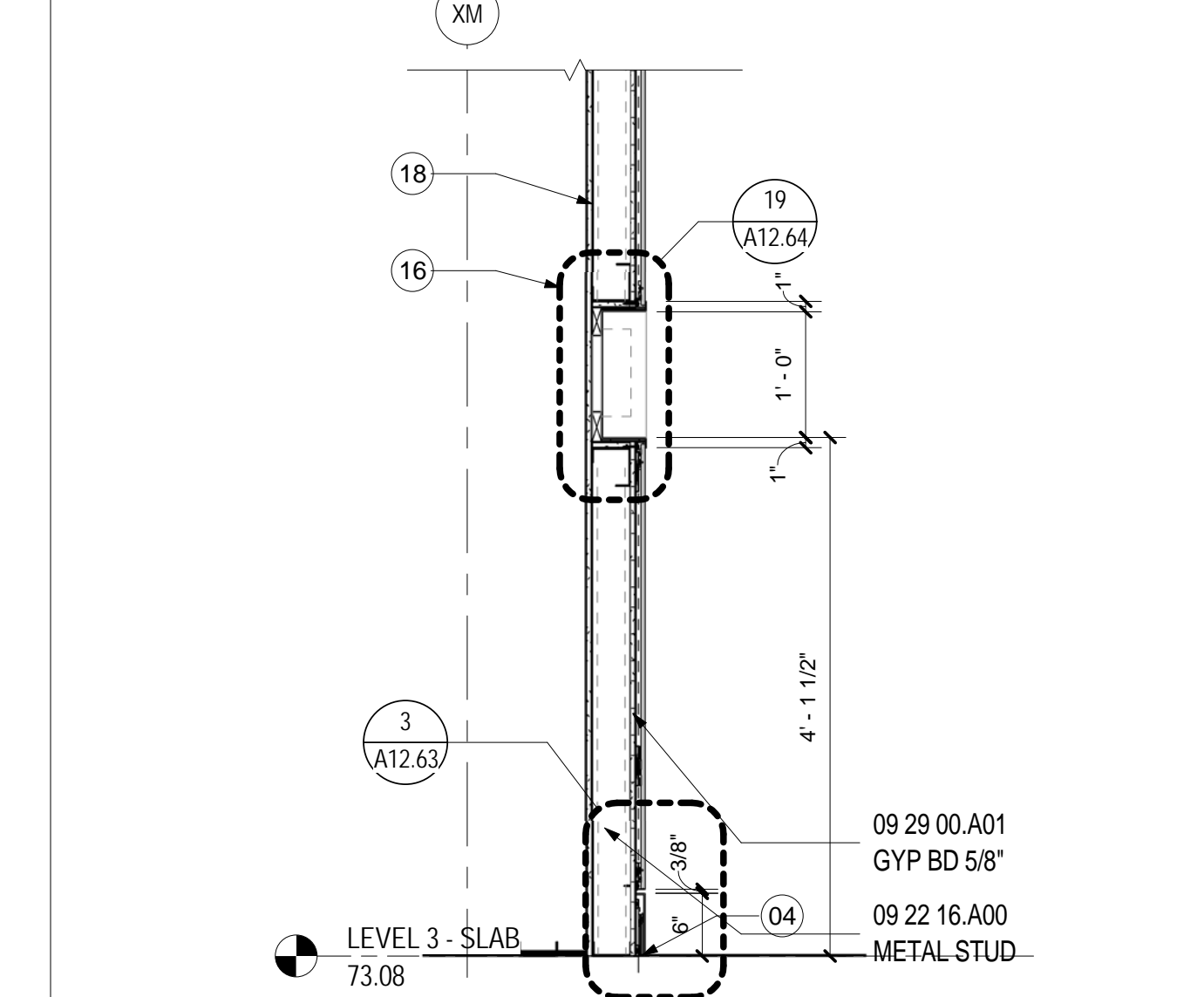
HEAD- DOOR TYPE A- METAL PANEL
SCALE: 3" = 1'-0"



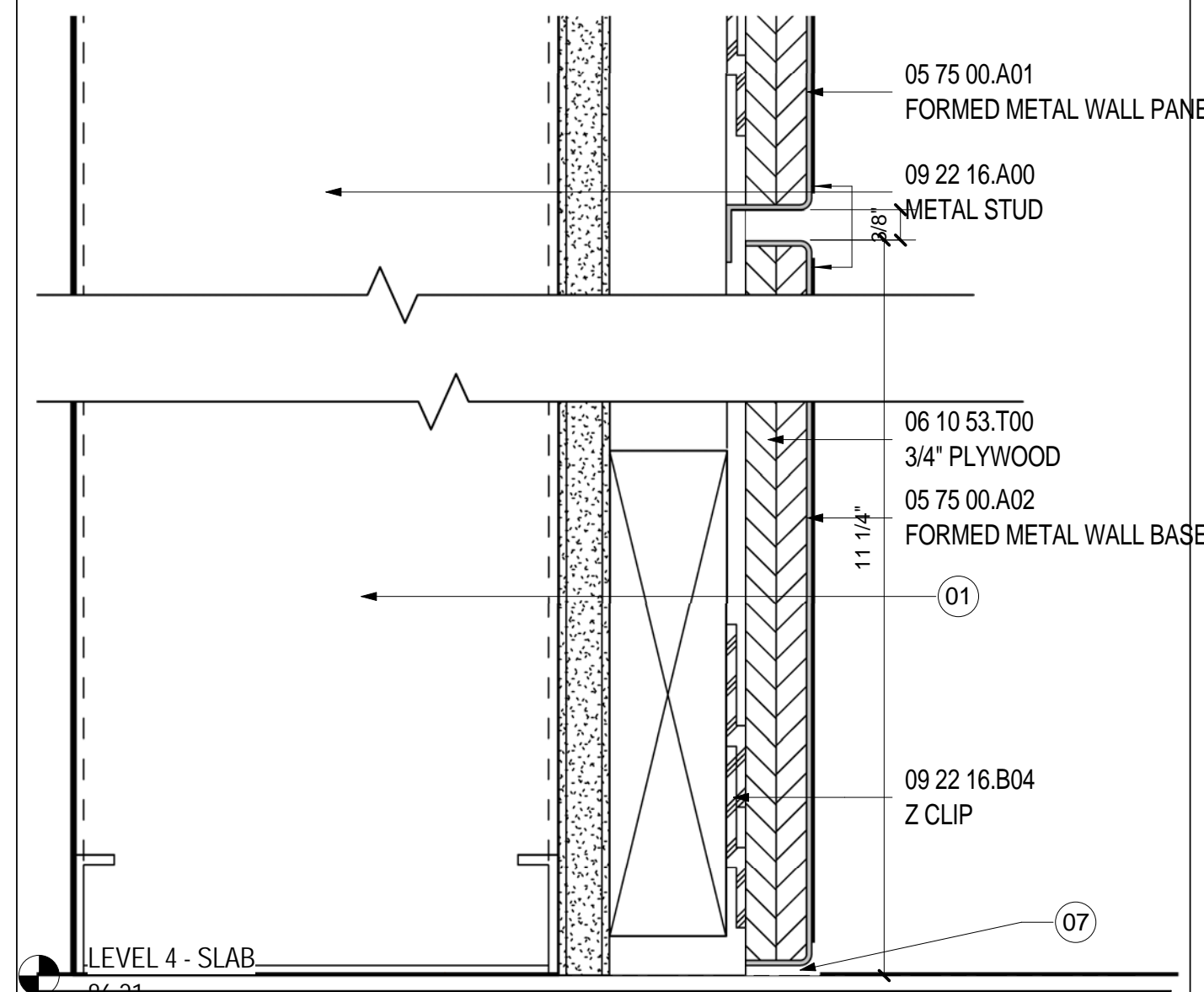
METAL WALL PANEL HEAD
SCALE: 6" = 1'-0"



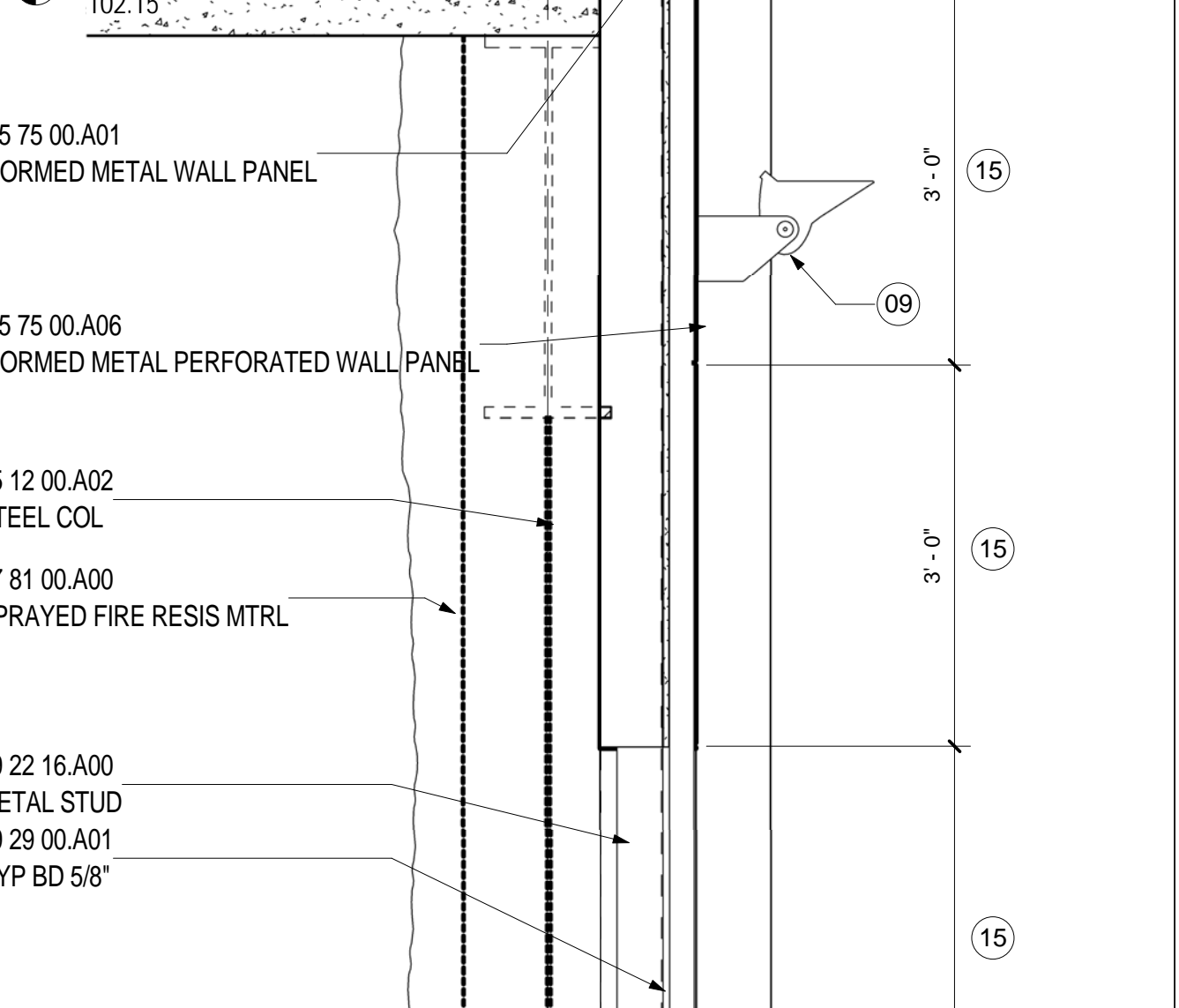
REVEAL @ METAL WALL PANEL
SCALE: 6" = 1'-0"



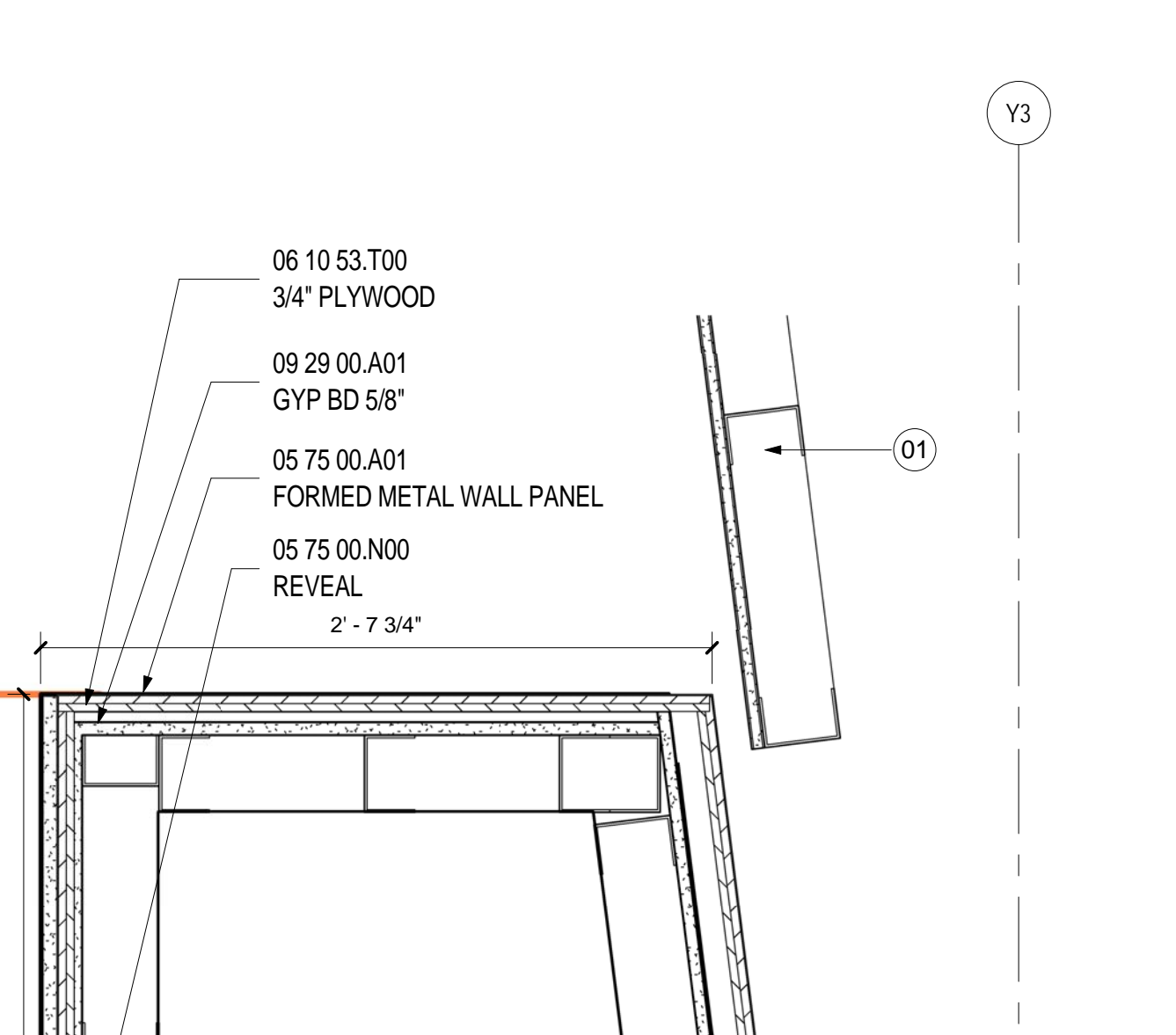
SECTION AT ACCESS PANEL
SCALE: 3/4" = 1'-0"



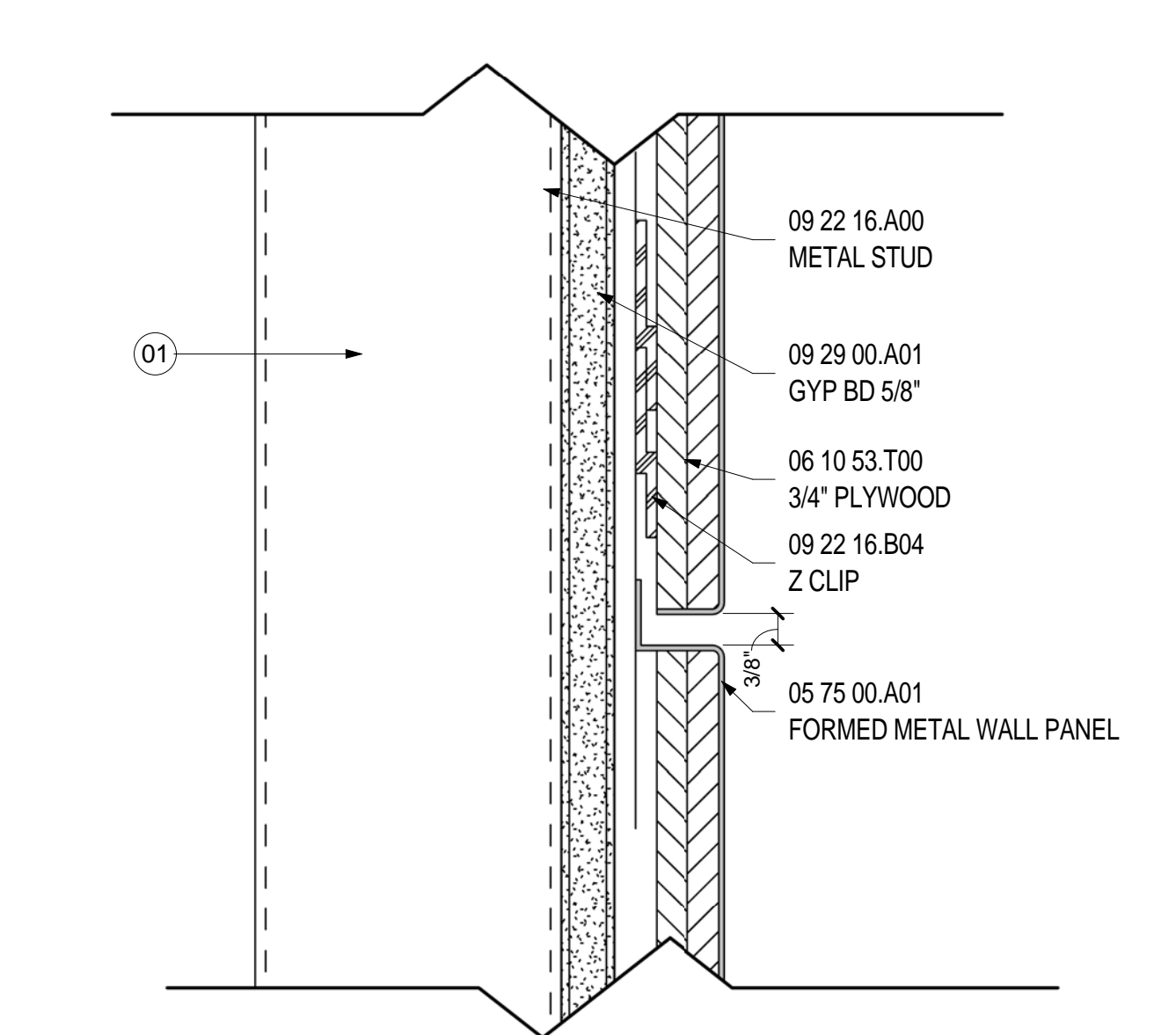
METAL WALL PANEL BASE @ LEVEL 4
SCALE: 6" = 1'-0"



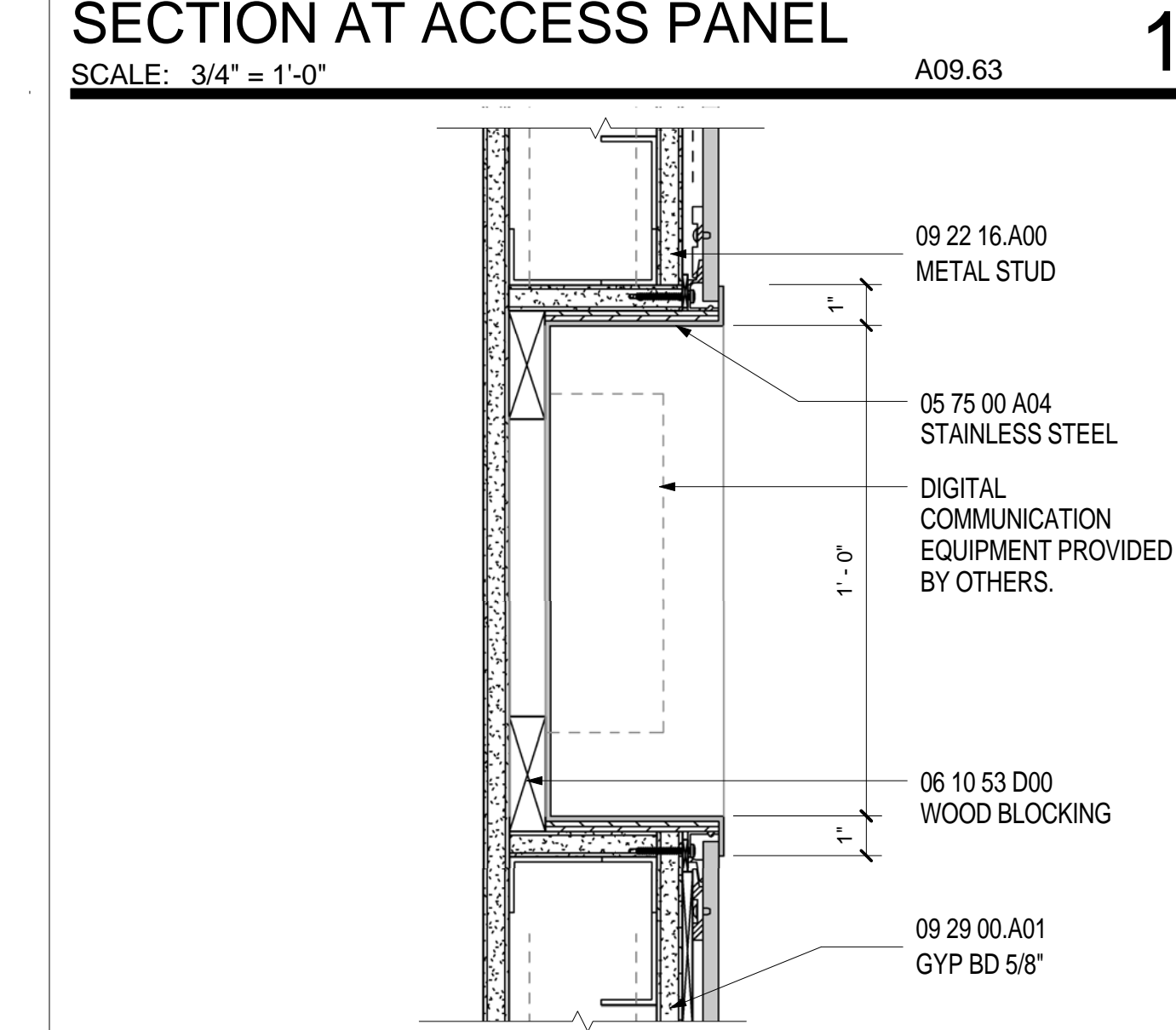
PERFORATED METAL PANEL
SCALE: 3" = 1'-0"



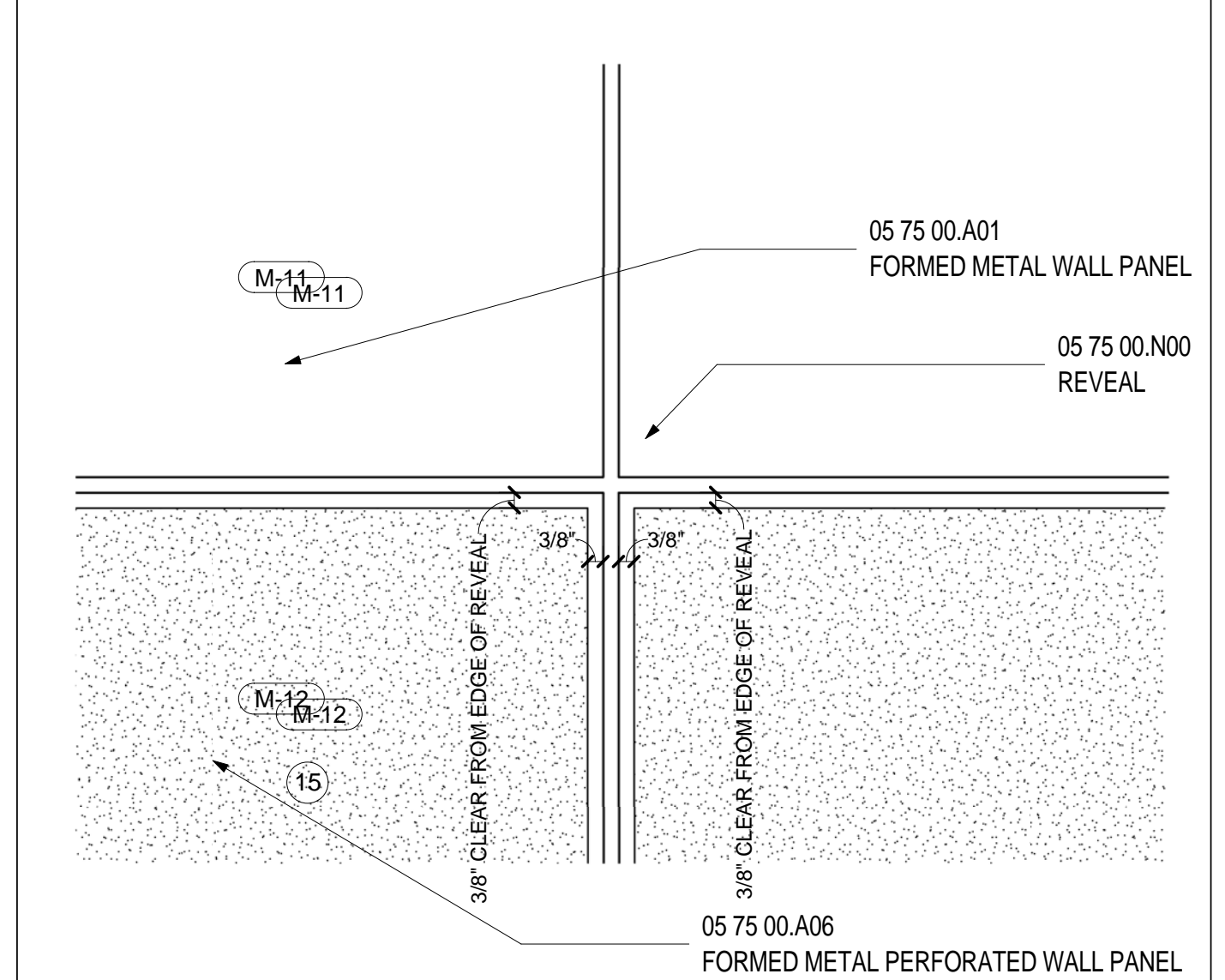
CONCESSIONS OPENING
SCALE: 1 1/2" = 1'-0"



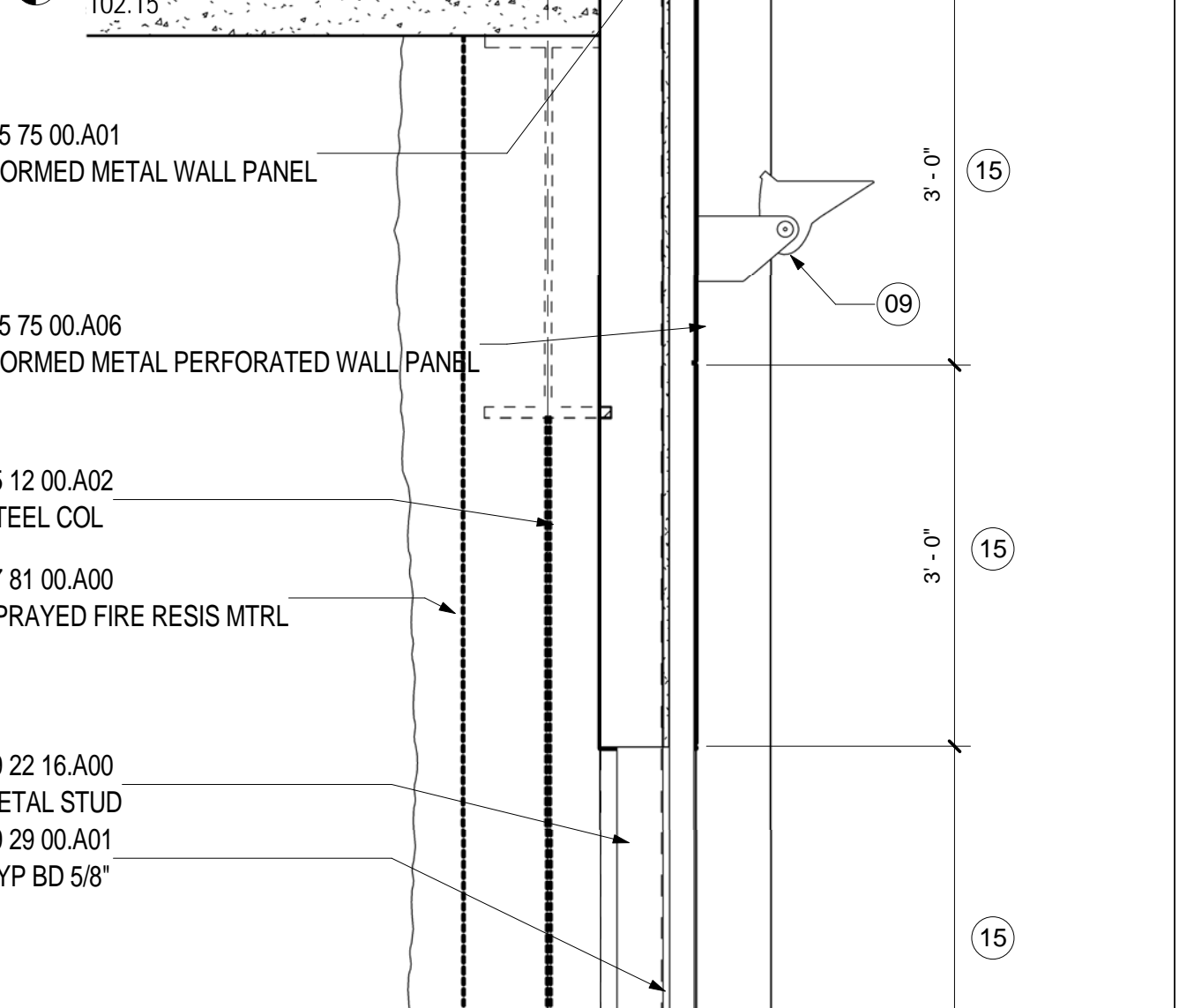
METAL WALL PANEL BASE
SCALE: 6" = 1'-0"



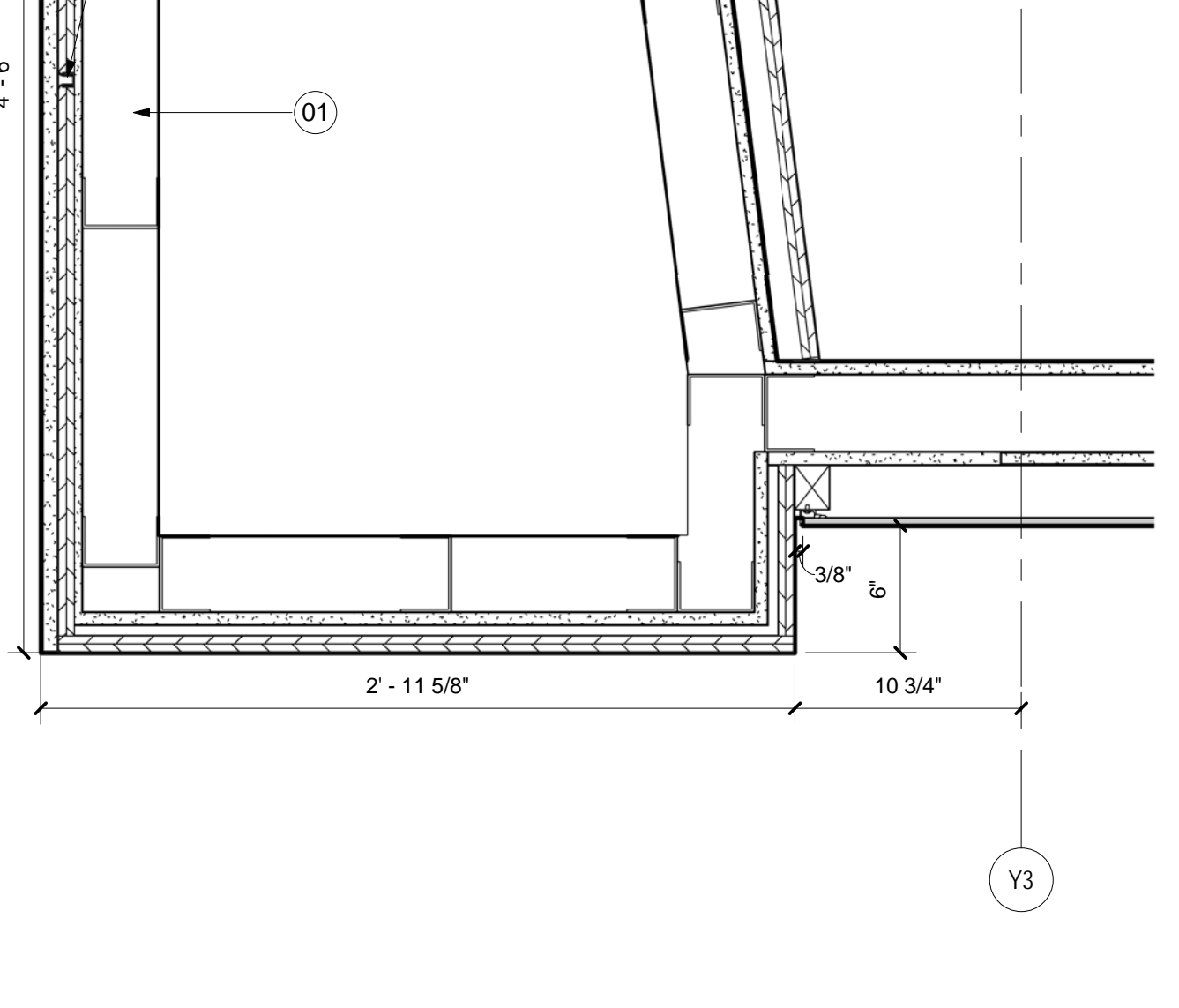
DETAIL AT ACCESS PANEL
SCALE: 3" = 1'-0"



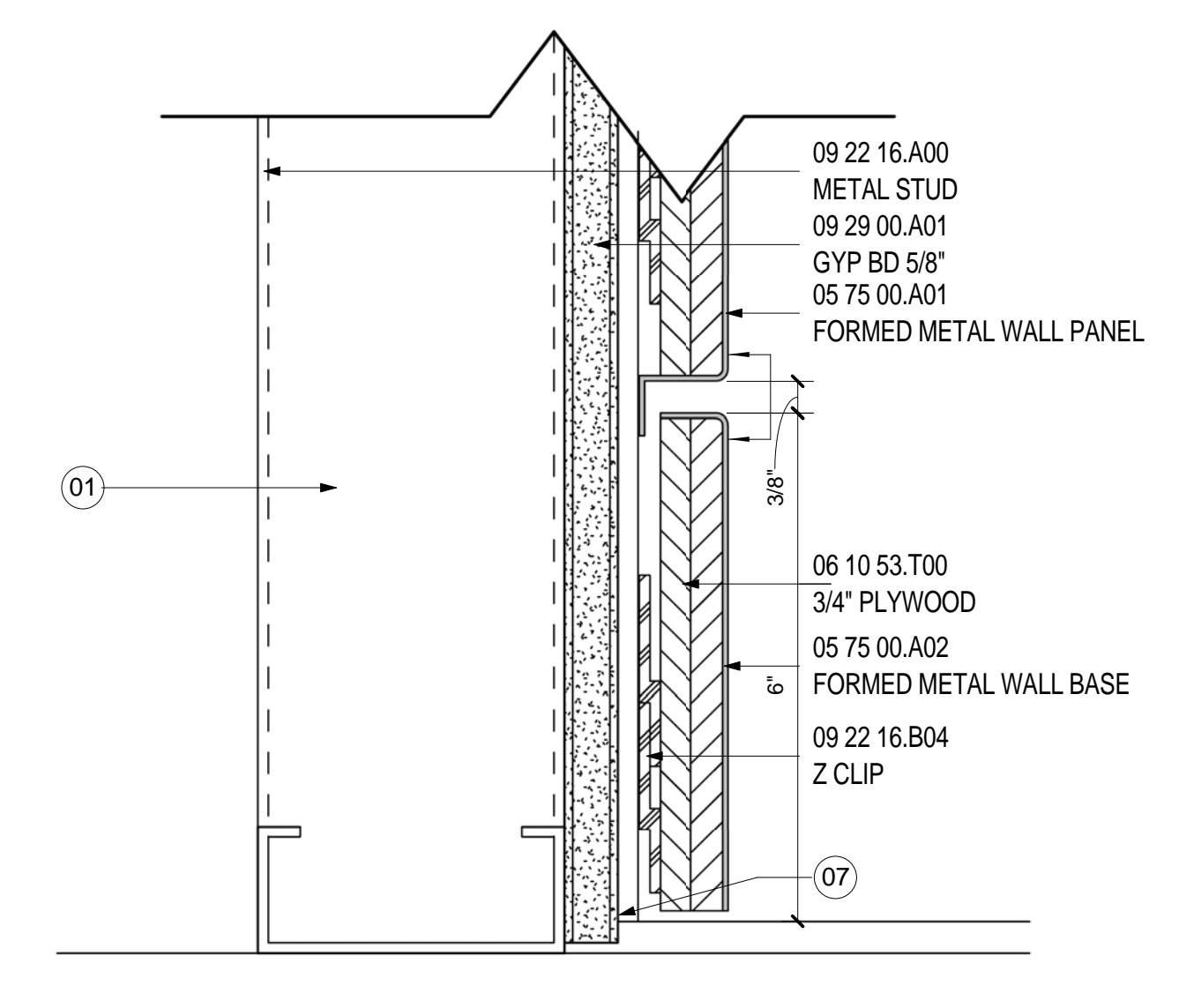
SILL-DOOR TYPE A4 AT TEMP GATE 11
SCALE: 3" = 1'-0"



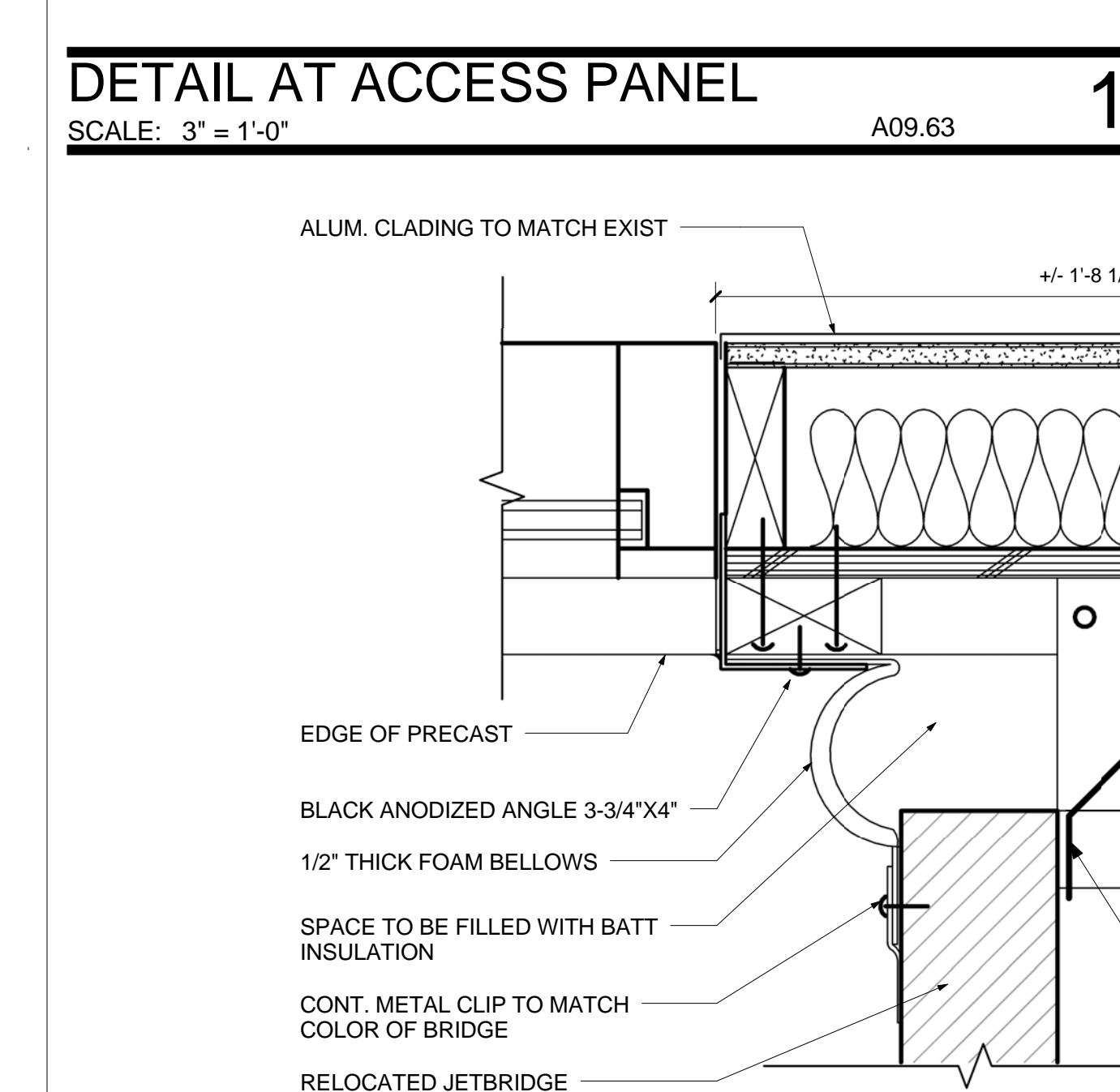
WALL SECTION @ SECURITY
SCALE: 3/4" = 1'-0"



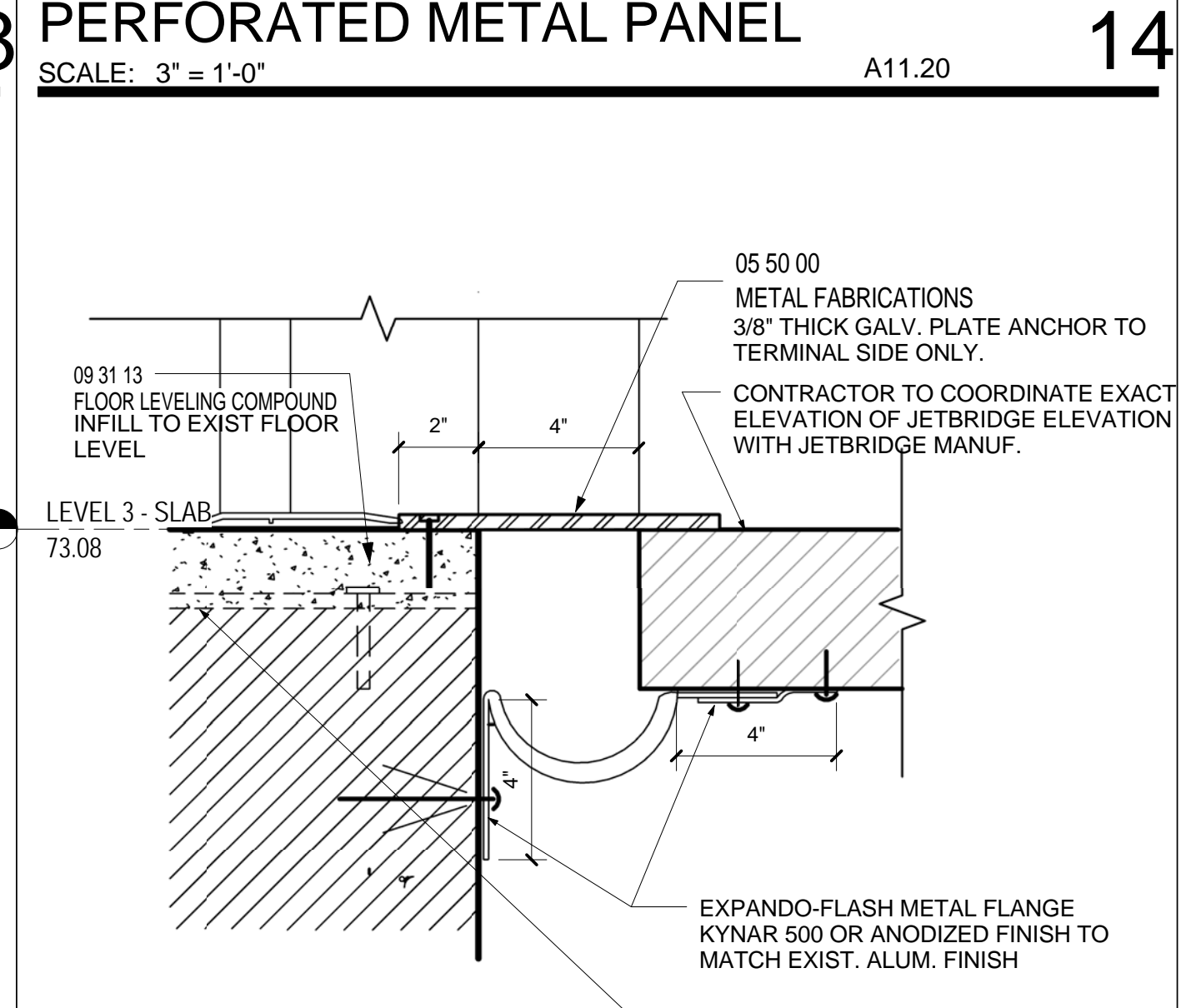
METAL/CERAMIC TILE TRANSITION
SCALE: 3" = 1'-0"



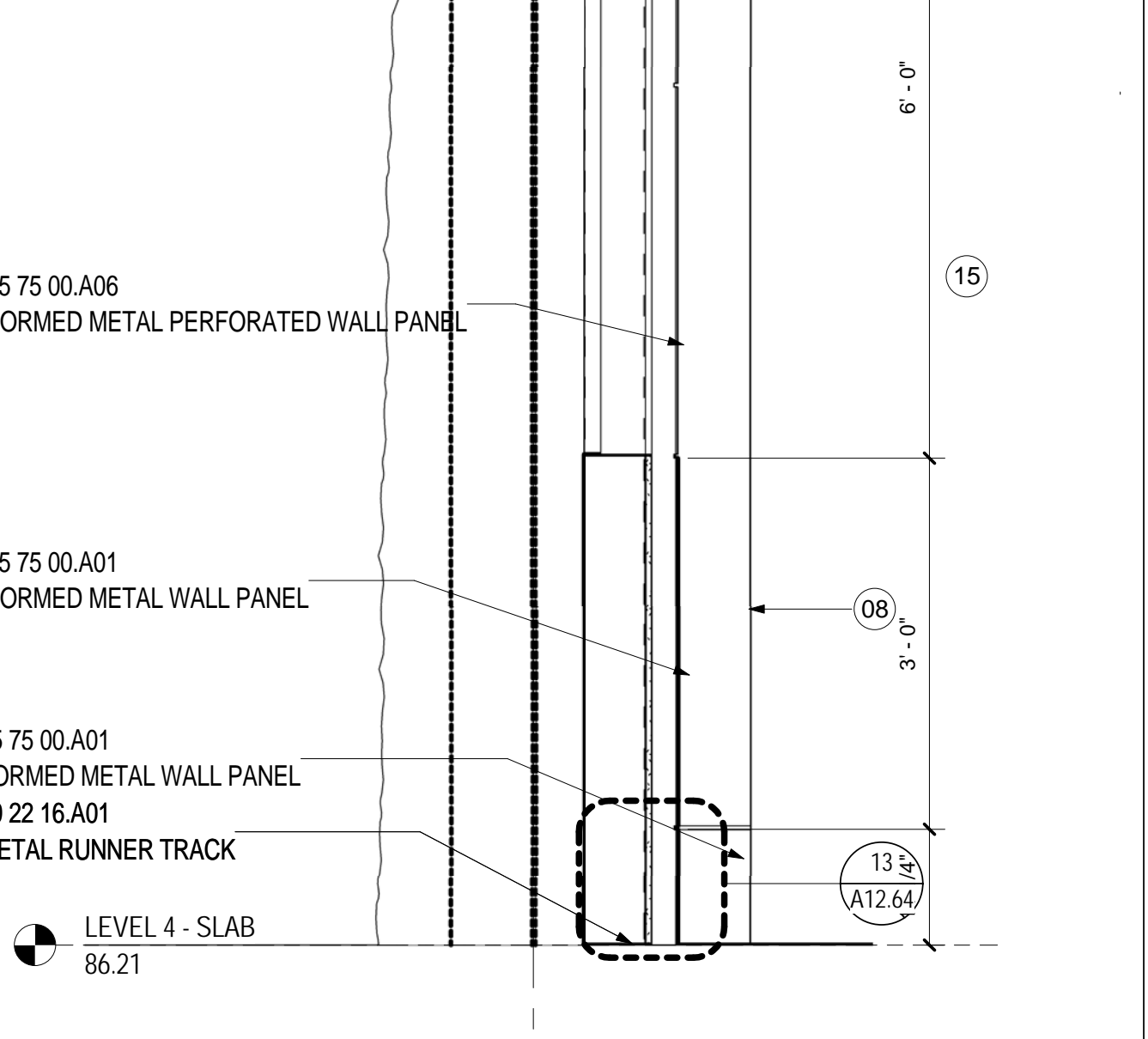
METAL TRANSITION @ RESTROOM
SCALE: 3" = 1'-0"



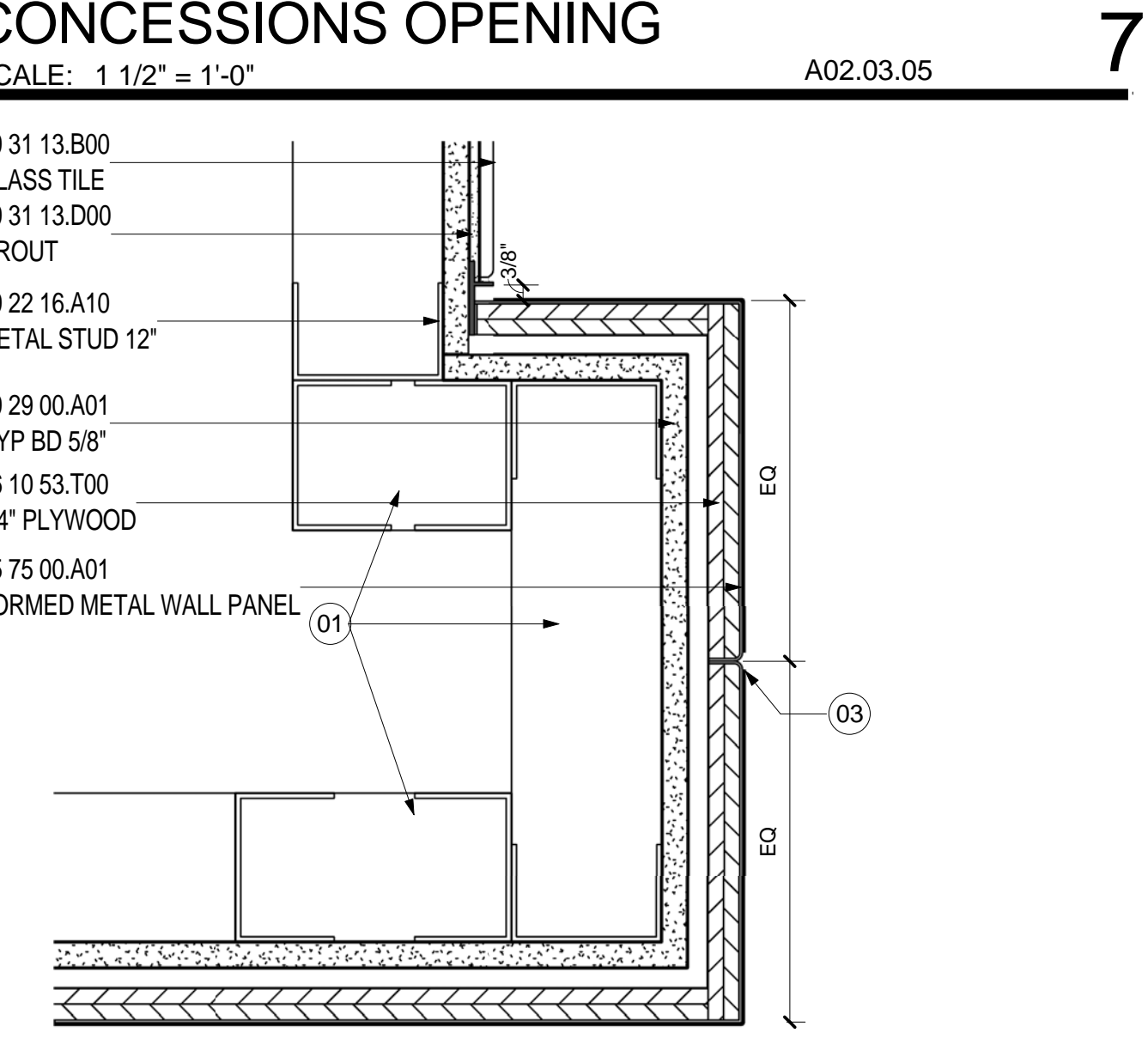
JAMB- DOOR TYPE A4 AT TEMP GATE 11
SCALE: 3" = 1'-0"



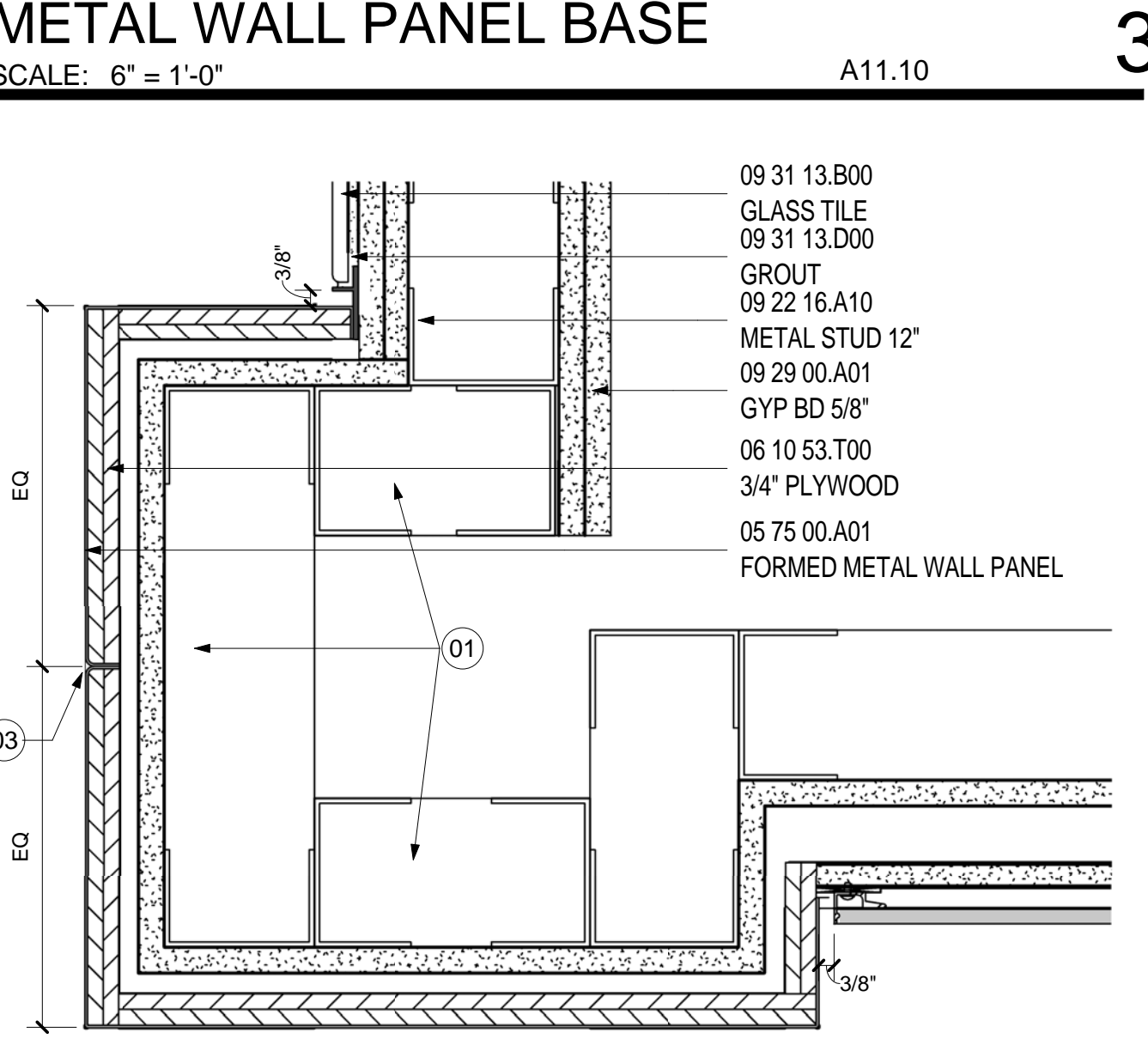
SILL-DOOR TYPE A4 AT TEMP GATE 11
SCALE: 3" = 1'-0"



METAL EDGE PLAN DETAIL AT FIDS
SCALE: 3" = 1'-0"



SEC AT FIDS - METAL PANEL
SCALE: 3/4" = 1'-0"



FIDS AT METAL WALL PANEL
SCALE: 3/4" = 1'-0"

- SHEET NOTES**
- 01 SCHEDULED PARTITION. RE: A02 SERIES FOR CONSTRUCTION PLAN AND PARTITION TYPES.
 - 02 SCHEDULED CEILING. RE: A04 SERIES FOR REFLECTED CEILING PLANS.
 - 03 HAIRLINE JOINT.
 - 04 SCHEDULED DOOR. RE: A00.30 FOR DOOR SCHEDULE.
 - 05 STAINLESS STEEL DOOR. RE: A00.30 FOR DOOR SCHEDULE.
 - 06 REFER TO FINISH PLAN FOR FINISH ON THIS SIDE.
 - 07 PROVIDE BLACK FILLER TO CONCEAL GYP. COLUMN LINE BEYOND.
 - 08 FURNITURE FB REFER TO REFLECTED CEILING PLAN, ELEVATION AND LIGHTING SPECIFICATIONS FOR ADDITIONAL INFORMATION AND MOUNTING DIAGRAMS.
 - 09 REFER TO A09 SERIES FOR EXTERIOR WALL INFORMATION.
 - 10 RETURN AIR PLENUM. RE: MECHANICAL DRAWINGS FOR ADDITIONAL INFORMATION.
 - 11 FLIGHT INFORMATION DISPLAY SYSTEM. RE: TO POWER AND COMMUNICATION PLANS AND SCHEDULE FOR EQUIPMENT SPECIFICATIONS. COORDINATE WITH ELECTRICAL AND COMM DRAWINGS. NO VISIBLE CORDS OR WIRING.
 - 12 COORDINATE DEPTH WITH SELECTED SCREEN AND MOUNTING BRACKET.
 - 13 COORDINATE MOUNTING AND METAL PLATE BLOCKING AS REQUIRED.
 - 14 PERFORATED METAL PANEL WITH ACOUSTICAL BACKING M-12.

Portland International Jetport
1001 Westbrook Street
Portland, Maine 04102

Gensler
2020 K Street, Northwest
Suite 200
Washington DC 20006
Telephone 202.721.5200
Facsimile 202.872.8587

Date	Description
01/23/09	95% CONSTRUCTION DOCUMENTS
10/26/09	ISSUED FOR PERMIT
2 11/12/09	ADDENDUM #2
6 01/15/10	BULLETIN #3
145 09/01/11	ISSUED FOR CONSTRUCTION

GENERAL NOTES

Project Name
PJM Terminal Enhancement

Project Number
09.6395.000

Description
INTERIOR DETAILS

Scale
As indicated

A12.64

© 2009 Gensler