

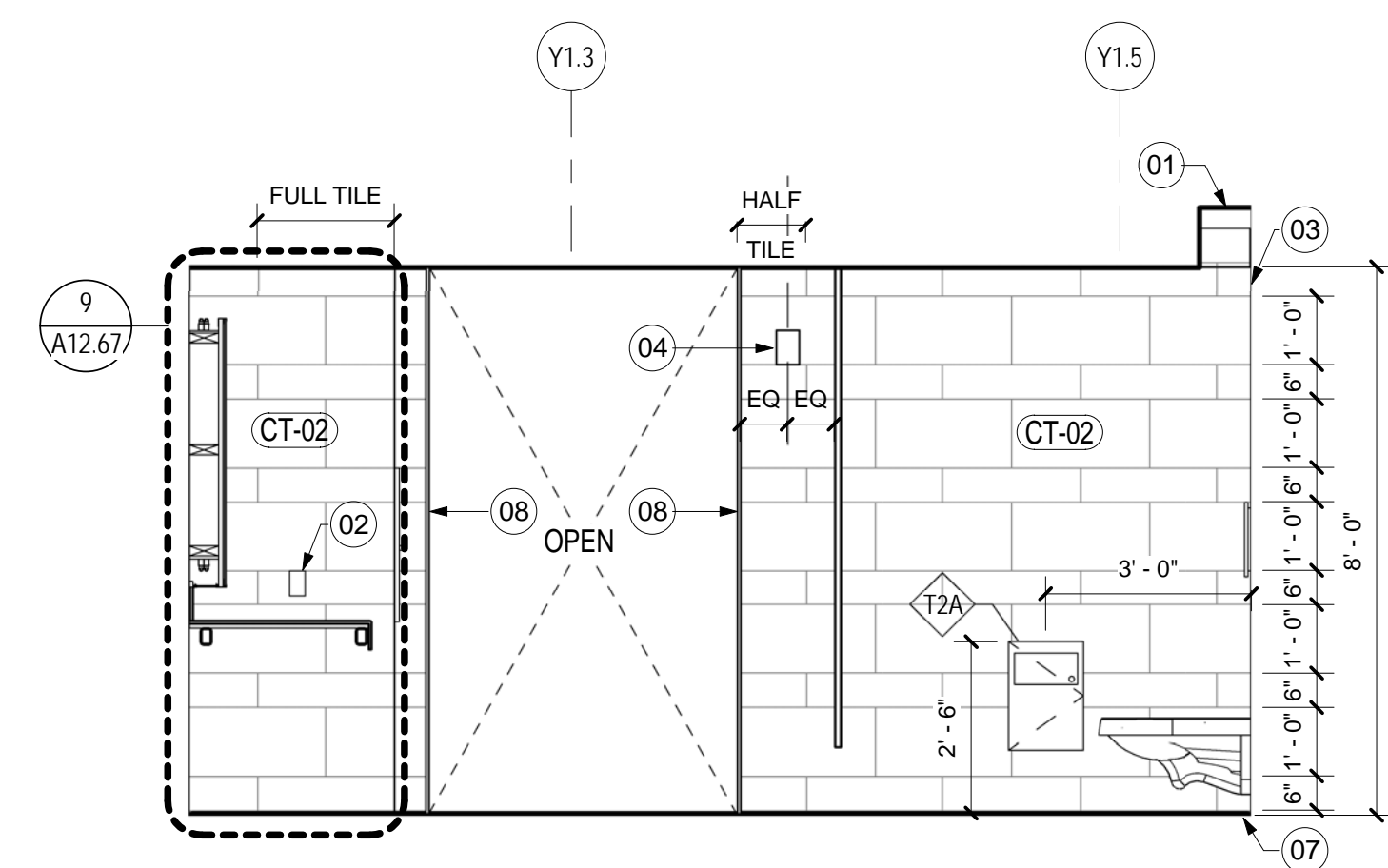
SHEET NOTES

- 01 SCHEDULED LIGHT FIXTURE.
- 02 GFI RECEPTACLE MOUNTED VERTICALLY AT 42" AFF MAX. ALIGN T.O. RECEPTACLE WITH GROUT LINE. RE: DETAIL FOR EXACT LOCATION HORIZONTALLY.
- 03 LOCATION OF CUT TILE.
- 04 STROBE MOUNTED AT 80" AFF CENTERLINE OF DEVICE.
- 05 SEAM OF MIRROR
- 06 STAINLESS STEEL EDGE PROTECTION PROFILE TYPICAL AT ALL OUTSIDE CORNERS OF TILE. RE: DETAIL 10/A12.67.
- 07 STAINLESS STEEL COVE SHAPED WALL/FLOOR TRANSITION. RE: DETAIL 3/A12.67
- 08 STAINLESS STEEL MT-04 END CAP

Portland International Jetport
 1001 Westbrook Street
 Portland, Maine 04102

2020 K Street, Northwest
 Suite 200
 Washington, DC 20006
 Telephone 202.721.5200
 Facsimile 202.872.8587

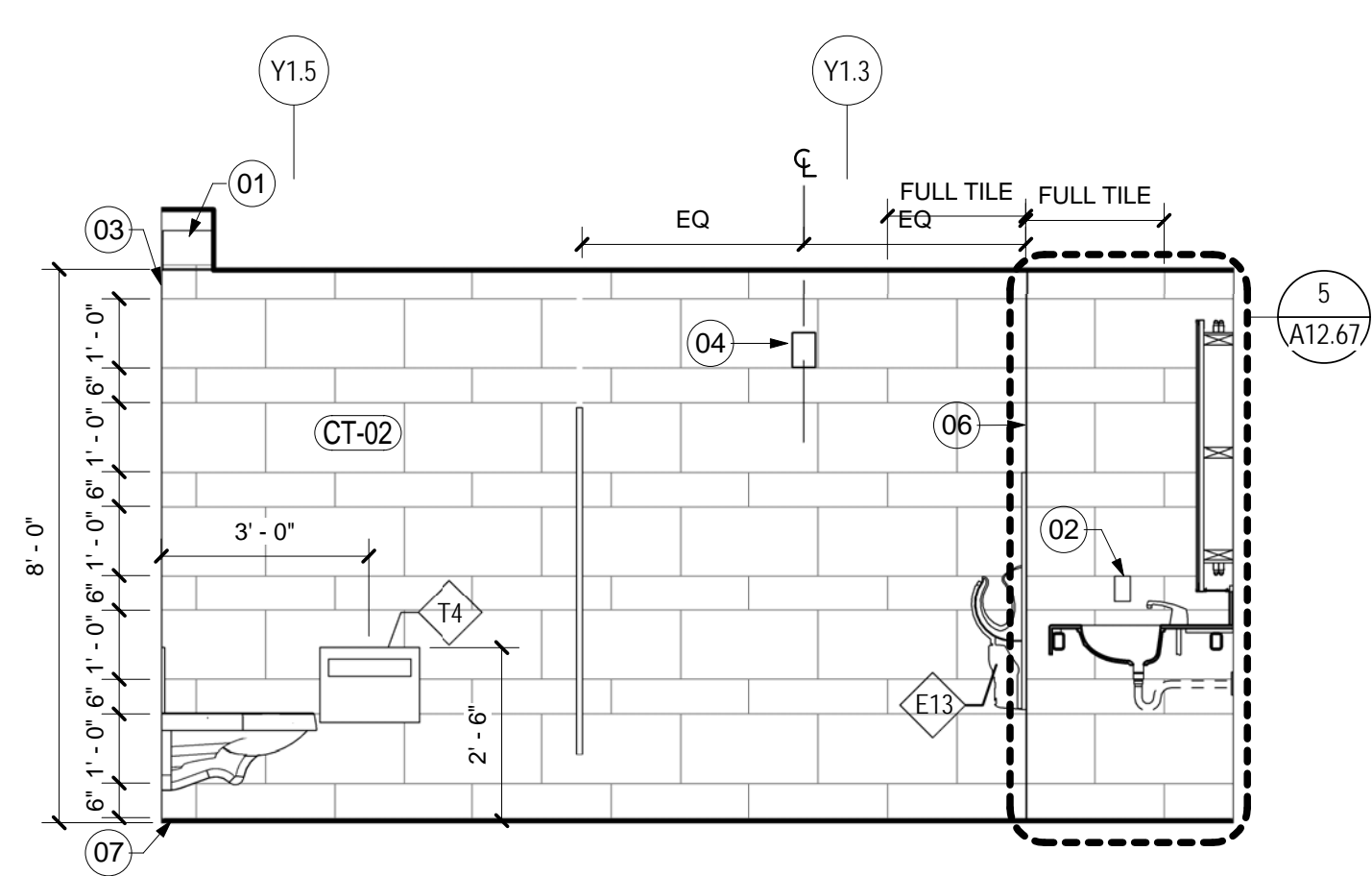
Gensler



WOMENS 2507 - SOUTH
 SCALE: 3/8" = 1'-0"

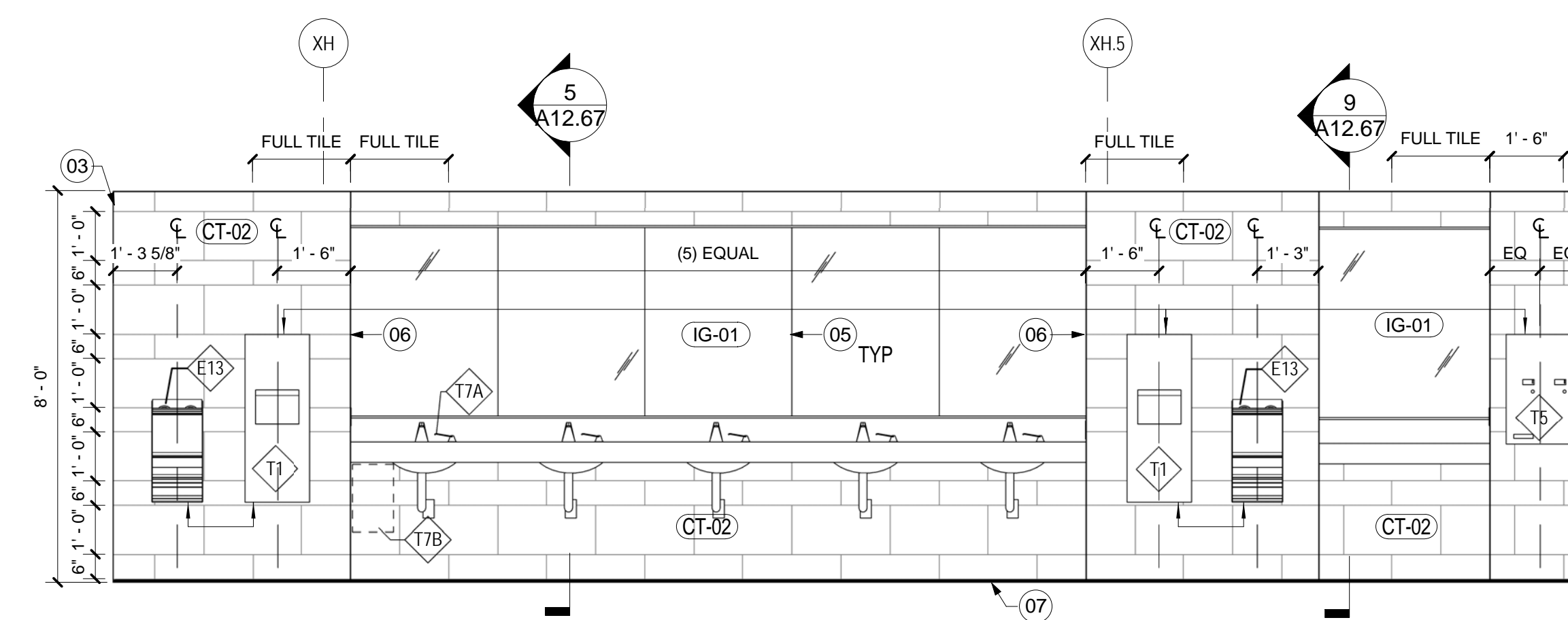
A08.01

1C WOMENS 2507 - NORTH
 SCALE: 3/8" = 1'-0"



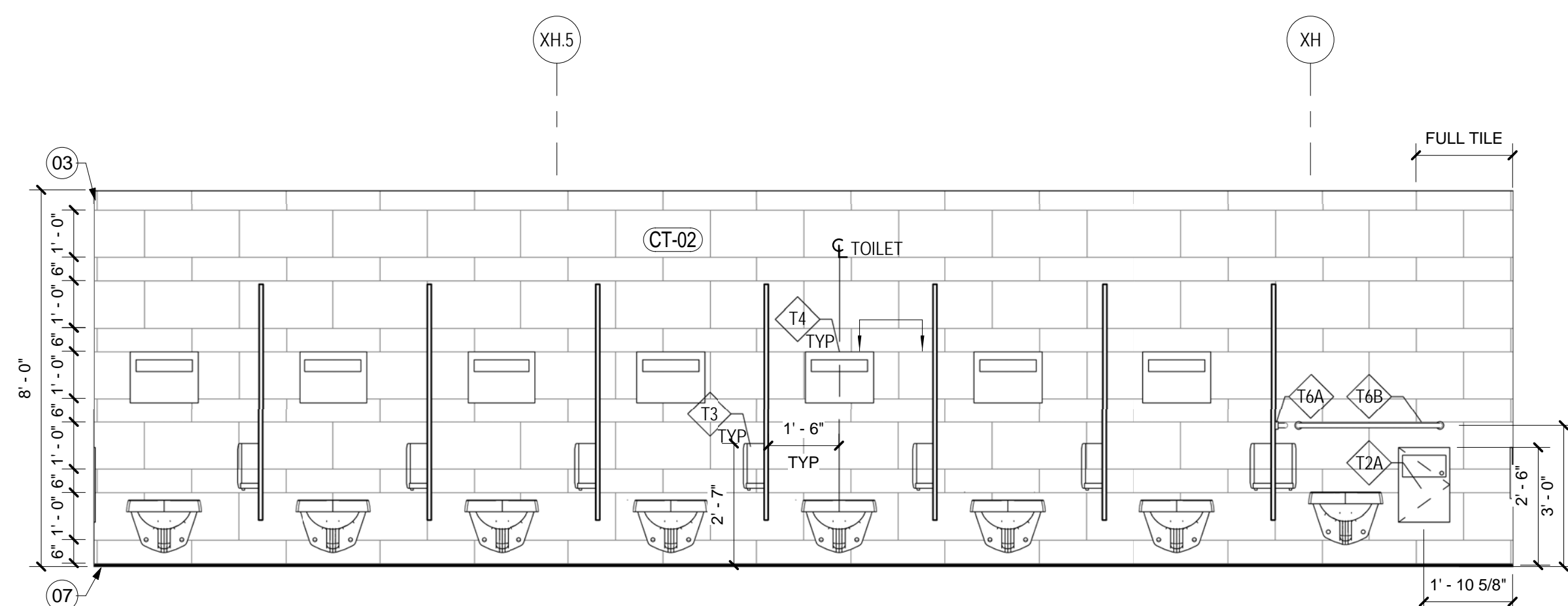
A08.01

1B WOMENS 2507 - EAST
 SCALE: 3/8" = 1'-0"



A08.01

1A



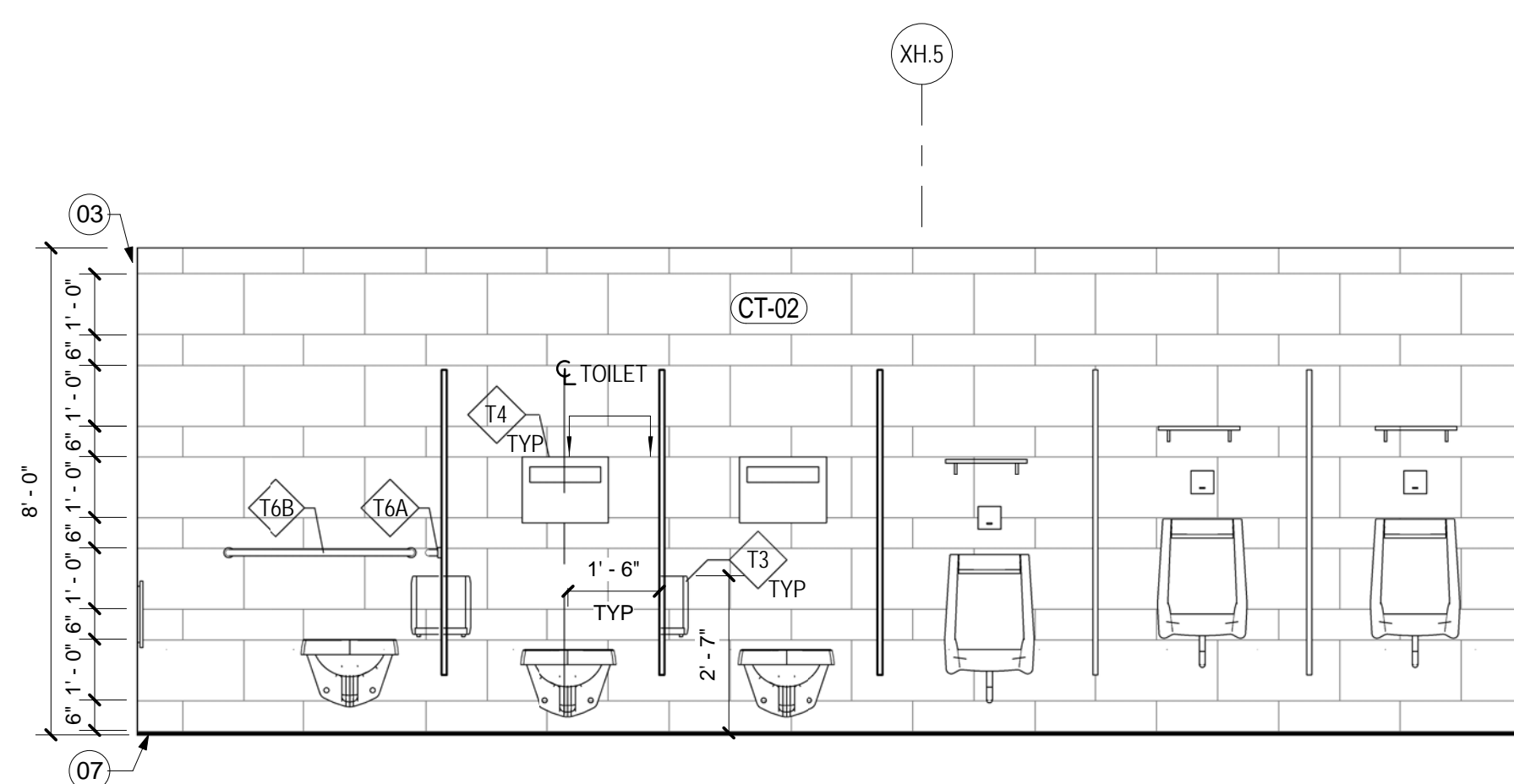
WOMENS 2507 - WEST WALL
 SCALE: 3/8" = 1'-0"

A08.01

2B WOMENS 2507 - WEST
 SCALE: 3/8" = 1'-0"

A08.01

2A



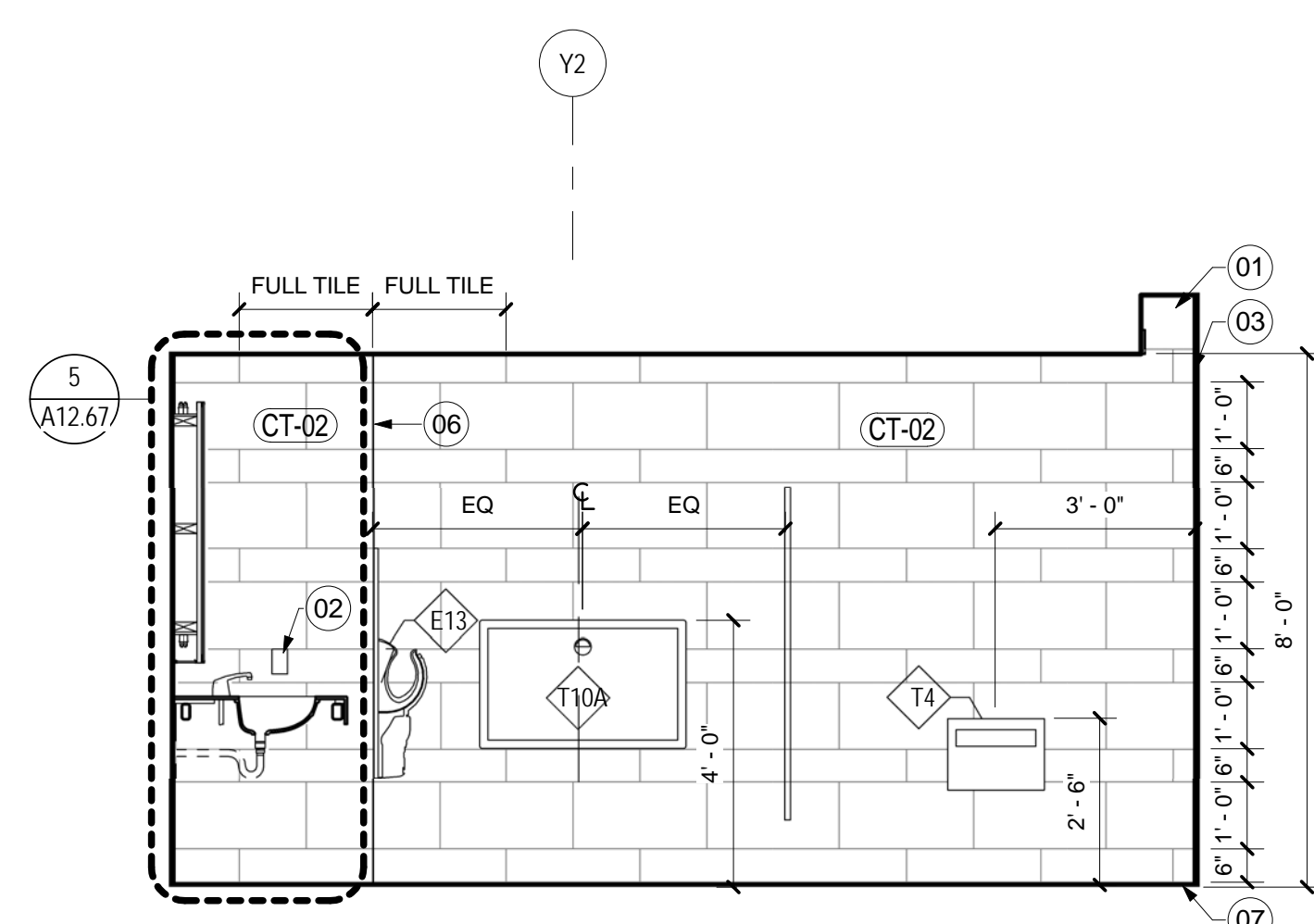
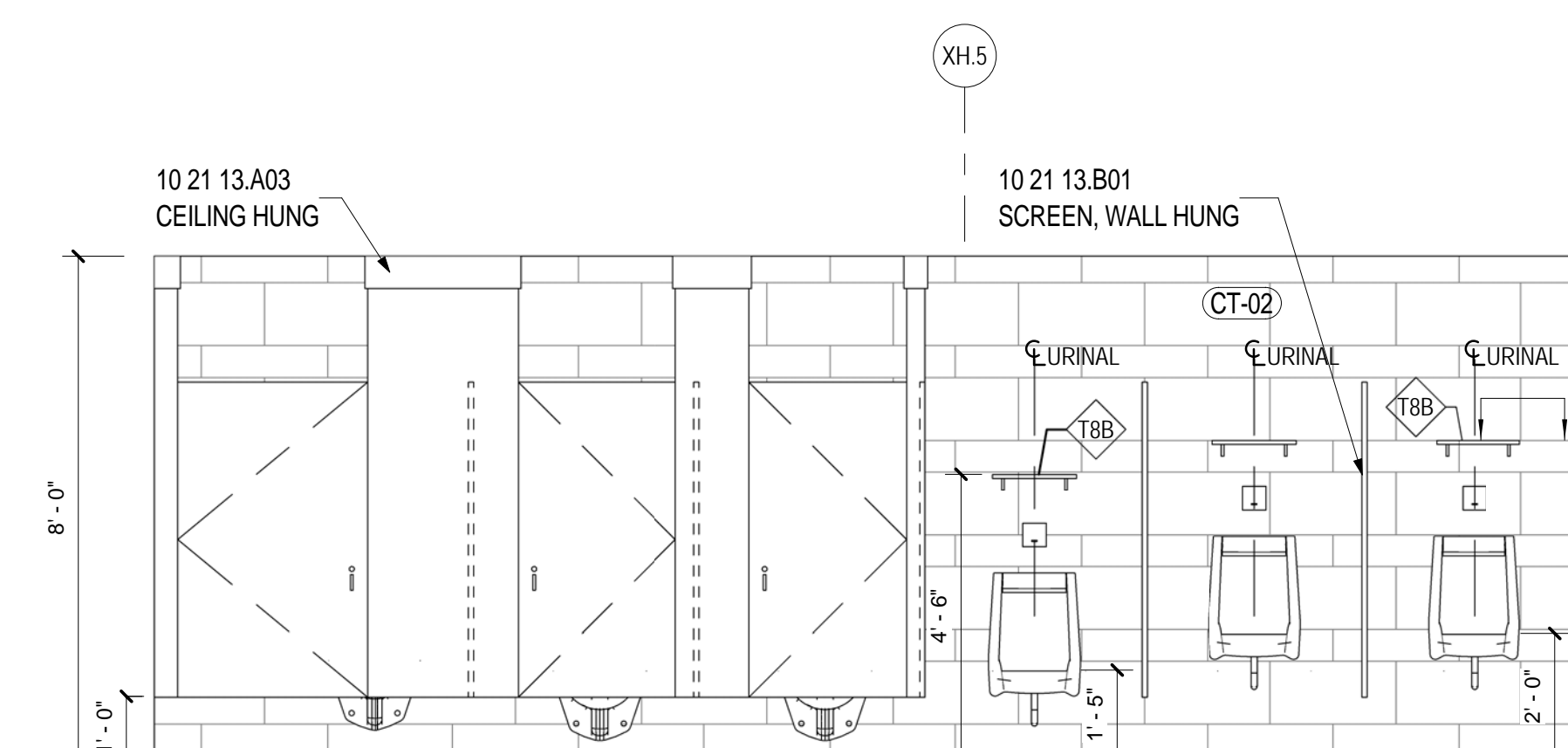
MENS 2510 - EAST WALL
 SCALE: 3/8" = 1'-0"

A08.01

3B MENS 2510 - EAST
 SCALE: 3/8" = 1'-0"

A08.01

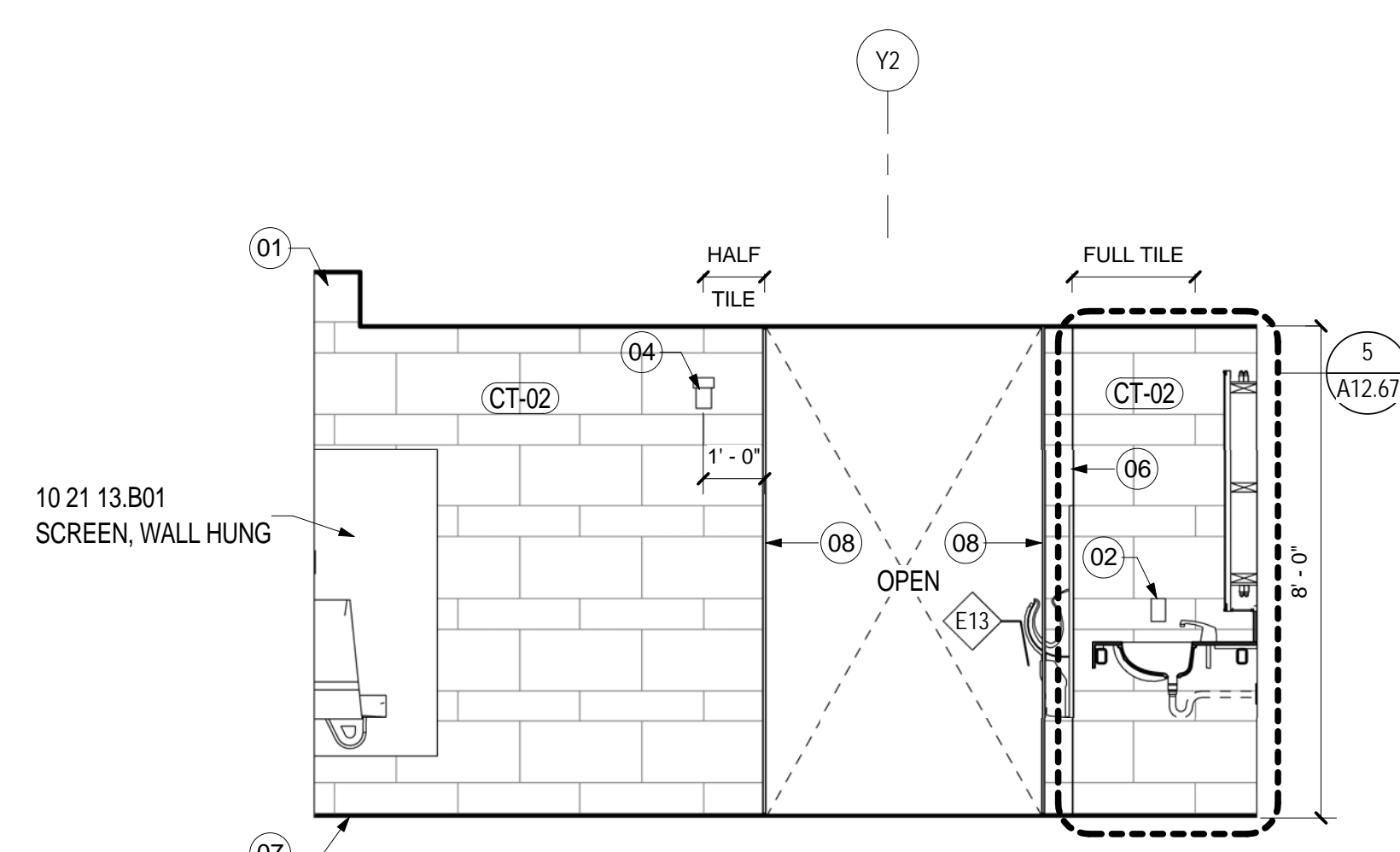
3A



MENS 2510 - NORTH
 SCALE: 3/8" = 1'-0"

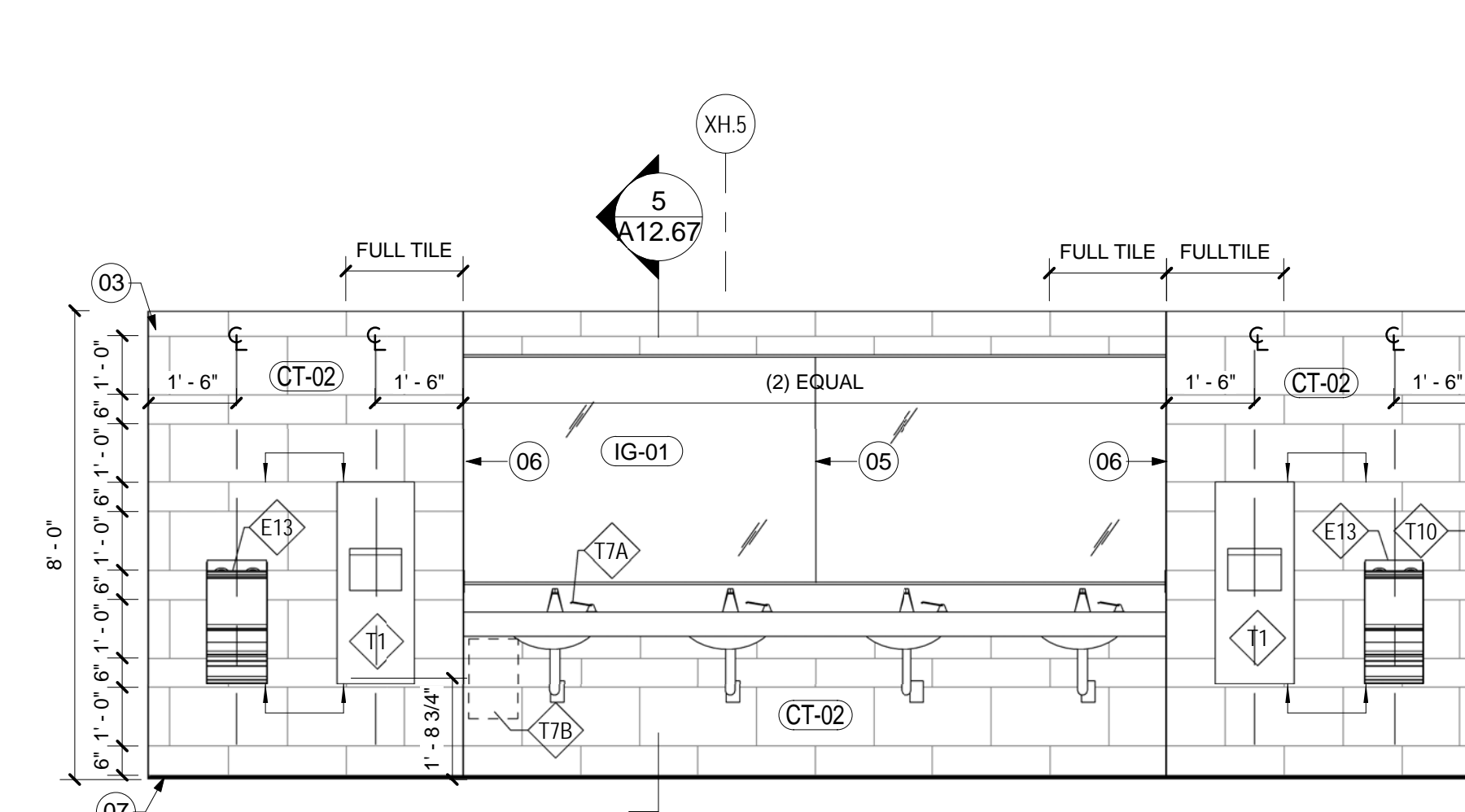
A08.01

4C MENS 2510 - SOUTH
 SCALE: 3/8" = 1'-0"



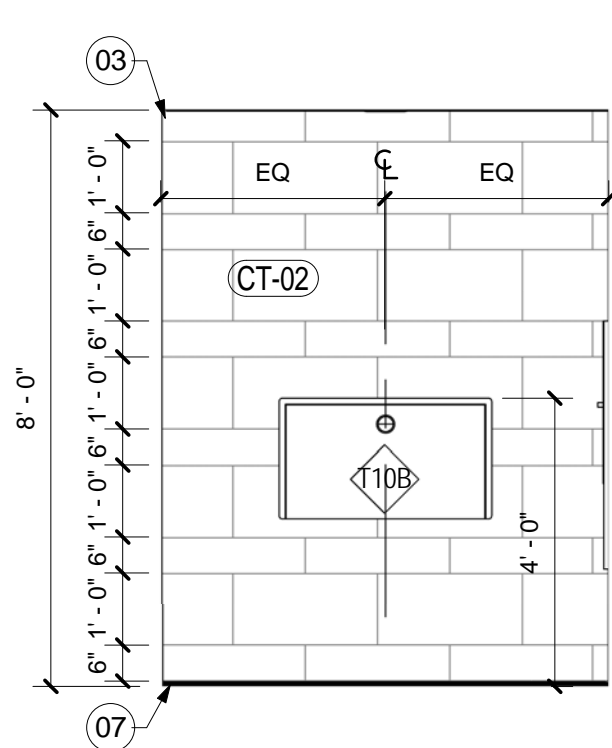
A08.01

4B MENS 2510 - WEST
 SCALE: 3/8" = 1'-0"



A08.01

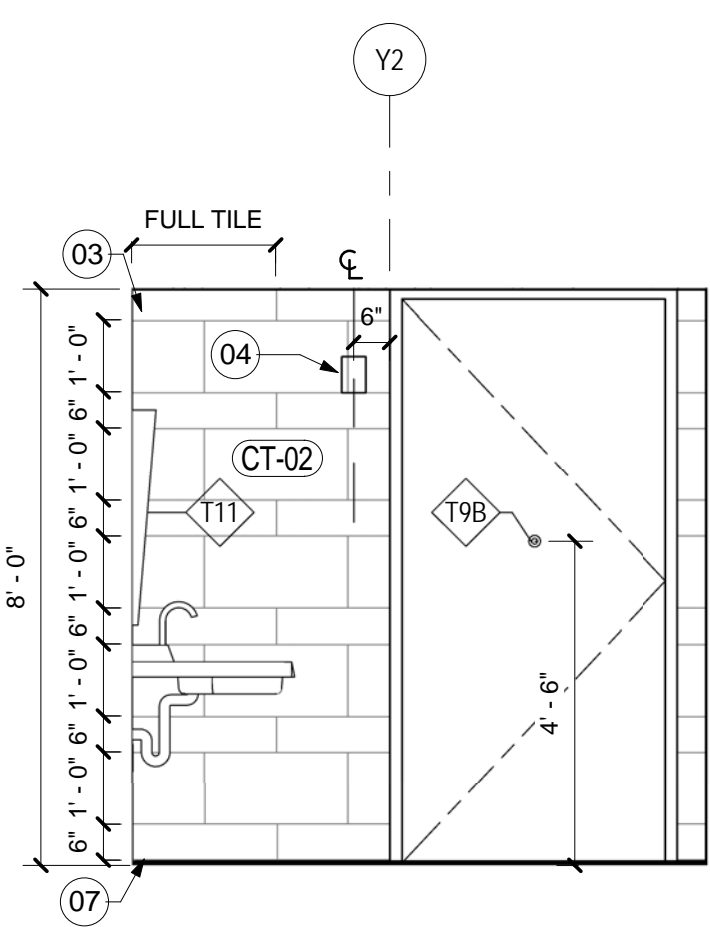
4A



COMPANION 2512 - WEST
 SCALE: 3/8" = 1'-0"

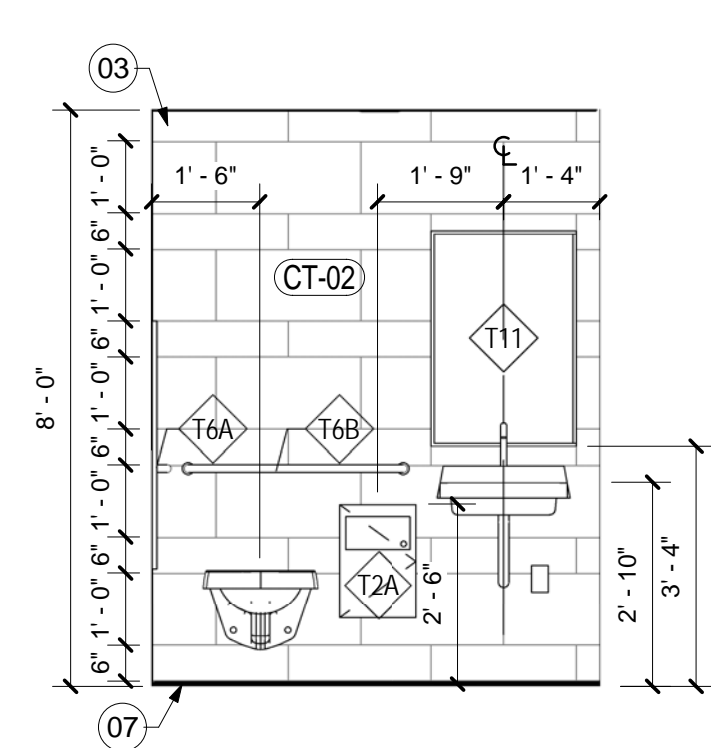
A08.01

5D COMPANION 2512 - SOUTH
 SCALE: 3/8" = 1'-0"



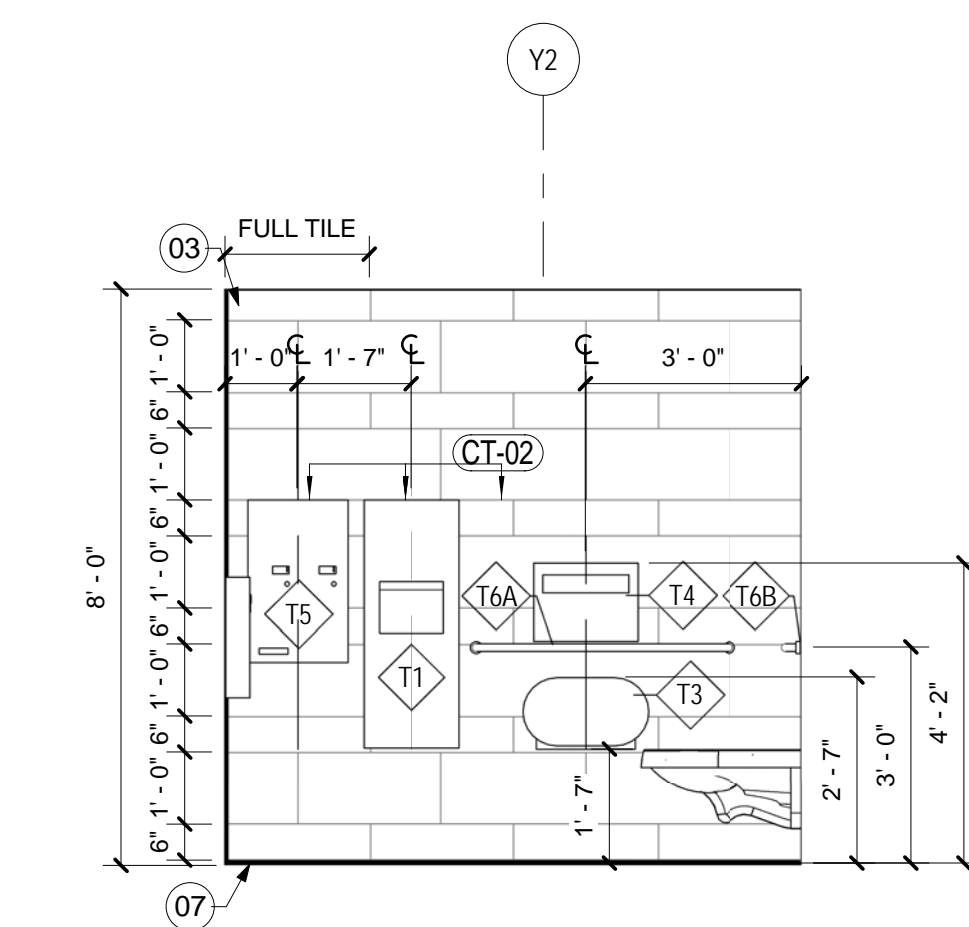
A08.01

5C COMPANION 2512 - EAST
 SCALE: 3/8" = 1'-0"



A08.01

5B COMPANION 2512 - NORTH
 SCALE: 3/8" = 1'-0"



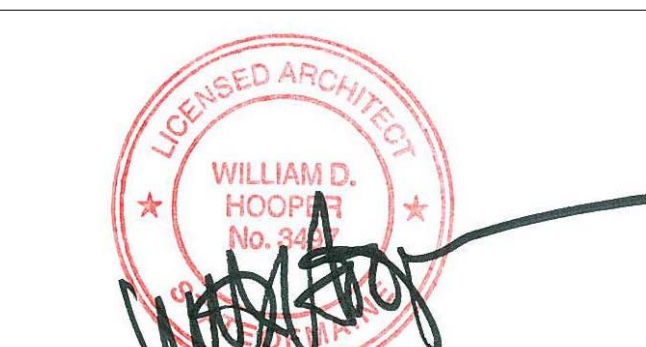
A08.01

5A

GENERAL NOTES

- A. ALL DIMENSIONS ARE TO FINISHED FACE OF MATERIAL. COORDINATE WITH FINISH THICKNESS.
- B. RE: A00.13 FOR ACCESSORY MOUNTING HEIGHTS U.O.N. ON ELEVATIONS.
- C. RE: PROJECT MANUAL FOR ACCESSORY SCHEDULE AND FURTHER INFORMATION.
- D. RE: PLUMBING SPECIFICATIONS FOR INSTALLATION OF ALL PLUMBING EQUIPMENT.
- E. RE: PROJECT MANUAL FOR LIGHTING SPECIFICATIONS.
- F. ALL PIPES UNDER LAVATORY TO BE INSULATED. RE: PROJECT MANUAL FOR MORE INFORMATION.
- G. TOILET PARTITIONS TO BE CEILING HUNG. RE: PROJECT MANUAL FOR MORE INFORMATION.

Seal/Signature



Project Name
 PWM Terminal Enhancement

Project Number
 09.6395.000

Description
 INTERIOR ELEVATIONS

Scale
 As indicated

A11.31

© 2009 Gensler