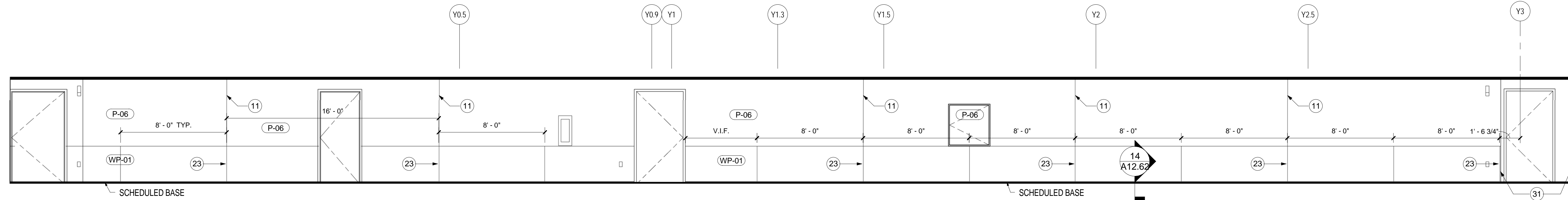


CORRIDOR - NORTHEAST

SCALE: 1/4" = 1'-0"

A02.03.05

1

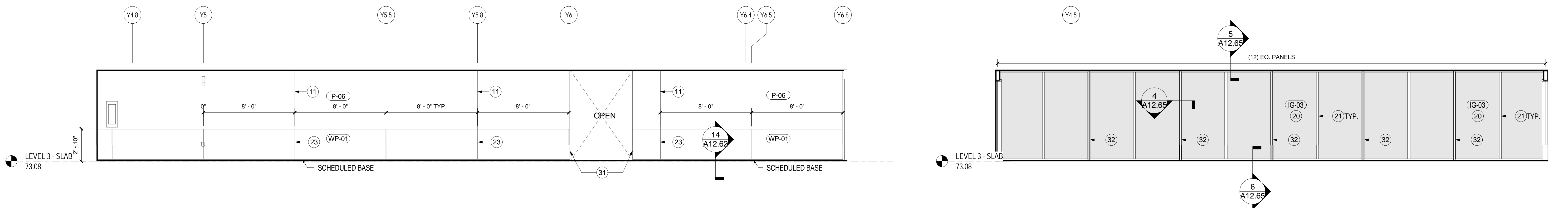


CORRIDOR - SOUTHWEST

SCALE: 1/4" = 1'-0"

A02.03.05

2



CORRIDOR - SOUTHWEST

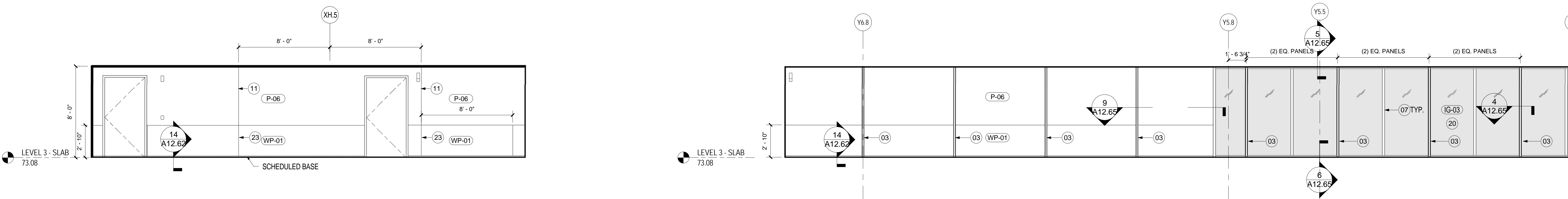
SCALE: 1/4" = 1'-0"

A02.03.05

3

CORRIDOR - NORTHEAST

SCALE: 1/4" = 1'-0"



STERILE CORRIDOR - EAST

SCALE: 1/4" = 1'-0"

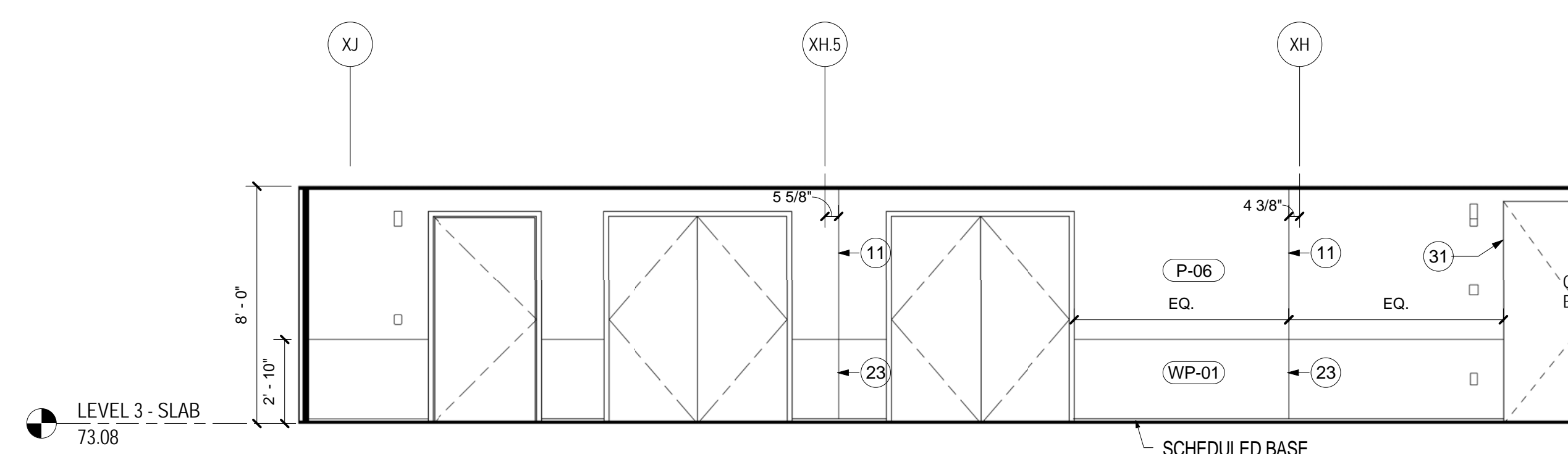
A02.03.05

CORRIDOR - NORTHEAST

SCALE: 1/4" = 1'-0"

A02.03.05

5



STERILE CORRIDOR - WEST

SCALE: 1/4" = 1'-0"

A02.03.05

7

SHEET NOTES

- 01 LINE OF SOFFIT
- 02 ARCHITECTURAL EXPOSED CONCRETE COLUMN
- 03 FINISHED STEEL POST, TO BE PAINTED P-06
- 04 SIGNAGE AND WAYFINDING; REFER TO A07.00 SERIES DRAWINGS FOR ADDITIONAL INFORMATION
- 05 FIRE SECURITY OVERHEAD COILING DOOR, RE: BAGGAGE DRAWINGS FOR DETAILS AND MORE INFORMATION. COORDINATE WALL AND FIRE SECURITY DOOR LOCATIONS WITH BAGGAGE DRAWINGS
- 06 METAL FIN TUBE ENCLOSURE TO BE FACTORY FINISHED TO MATCH MULLION COLOR ABOVE; REFER TO MECHANICAL DRAWINGS FOR ADDITIONAL INFORMATION
- 07 MULLION ON CORRIDOR SIDE TO BE PAINTED P-06
- 08 PROVIDE FIREMAN'S PHONE & KEY BOX WHERE OCCURS. COORDINATE WITH FIRE PROTECTION DRAWINGS. RE: DETAIL 4A10.33
- 09 ALL ELEMENTS OF EXPOSED DECK CEILING ASSEMBLY: EXPOSED STEEL, PIPING CONDUITS AND COMPONENTS TO BE PAINTED P-02
- 10 LINEAR DIFFUSER; REFER TO MECHANICAL DRAWINGS FOR ADDITIONAL INFORMATION
- 11 CONTROL JOINT, REFER TO 3/A12.62
- 12 ELEVATOR HALL LANTERN
- 13 TEMPORARY DEMISING PARTITION
- 14 EXPOSED STEEL AND COMPONENTS TO BE PAINTED P-02
- 15 ADVERTISEMENT PANEL; COORDINATE MOUNTING AND POWER REQUIREMENTS WITH VENDOR.
- 16 CONTINUOUS METAL PLATE TO MATCH ADJACENT METAL PANELS. ALL CUT OUTS TO BE DONE IN SHOP WITH APPROVED DEVICE DIMENSIONS
- 17 BAGGAGE TAKE AWAY CONVEYOR, RE: TO BAGGAGE DRAWINGS FOR MORE INFORMATION.
- 18 PASSENGER INFORMATION DISPLAY SYSTEM; COORDINATE MOUNTING AND POWER REQUIREMENTS.
- 19 LIGHT INFORMATION DISPLAY SYSTEM; COORDINATE MOUNTING AND POWER REQUIREMENTS.
- 20 VINYL WALL GRAPHIC, REFER TO A07.00 SHEETS
- 21 MULLION AND SNAP CAP TO BE FACTORY PAINTED TO MATCH P-01
- 22 SECURITY PASSENGER INFORMATION DISPLAY SYSTEM; COORDINATE MOUNTING AND POWER REQUIREMENTS.
- 23 ALIGN PANEL START POINT AND TRANSITION WITH CONTROL JOINT ABOVE AT CEILING.
- 24 HALL LANTERN; PROVIDE ELEVATOR MANUFACTURER'S STANDARD HALL LANTERN
- 25 3/4" REVEAL TO BE ON CENTERLINE WITH MULLION BELOW, U.O.N.
- 26 SCHEDULED SLIDING GLASS DOORS, RE: A00.30 FOR DOOR SCHEDULE
- 27 FOR BACK WALL ELEVATION REFER TO SHEET A11.02
- 28 PATCH, MATCH AND REPAIR EXISTING WALL AND BASE FINISHES AS REQUIRED.
- 29 EXPANSION JOINT COVER, RE: A02 SERIES FOR TYPE.
- 30 FIRE SHUTTER
- 31 PROVIDE WALL PROTECTION SYSTEM CORNER GUARD.
- 32 FINISHED STEEL POST, TO BE PAINTED P-01 ON INTUMESCENT COATING
- 33 AREA OF MOCK UP
- 34 LINE OF ARCHITECTURAL PLENUM BEYOND, RE: TO RCP FOR SLOPE AND ADDITIONAL INFORMATION.
- 35 SNAP CAP AND MULLION TO BE FACTORY PAINTED P-07 TO MATCH M-01 FINISH.
- 36 STAINLESS STEEL ACCESS PANEL FOR INTERCOM MICROPHONE, REFER TO AV DRAWINGS FOR ADDITIONAL INFORMATION AND REQUIREMENTS
- 37 GATE ID, REFER TO THE A07 SERIES FOR ADDITIONAL INFORMATION
- 38 GATE INFORMATION DISPLAY SYSTEM, RE: TO POWER AND COMMUNICATION PLANS AND SCHEDULE FOR EQUIPMENT SPECIFICATIONS. COORDINATE WITH ELECTRICAL AND COMM DRAWINGS. NO VISIBLE CORDS OR WIRING.
- 39 MECHANICAL GRILLE AT ELEVATOR MACHINE RM TO BE PAINTED P-01, RE: MECHANICAL DRAWINGS FOR ADDITIONAL INFORMATION.
- 40 BAGGAGE HANDLING SYSTEM CONTROL STATION, RE: TO BAGGAGE HANDLING SYSTEM DRAWINGS FOR ADDITIONAL INFORMATION
- 41 ANNUNCIATOR, RE: TO FIRE ALARM DRAWINGS FOR ADDITIONAL INFORMATION
- 42 RADIANT MANIFOLD RE: TO MECHANICAL DRAWINGS FOR ADDITIONAL INFORMATION
- 43 BOTTOM OF SCHEDULED FIXTURE AT MECHANICAL WALL IS TO MATCH TOP ELEVATION OF WIND GIRT.
- 44 FIRE SHUTTER TRACK
- 45 CENTERLINE OF REVEAL TO MATCH CENTERLINE OF WIND GIRT
- 46 EXPOSED STEEL TO HAVE INTUMESCENT PAINT WITH SPECIFIED FINISH TOP COAT
- 47 MAINTAIN 1' - 6" FROM TOP OF COLUMN TO BOTTOM OF BEAM
- 48 SCHEDULED SPEAKERS, RE: AUDIO VISUAL DRAWINGS FOR ADDITIONAL INFORMATION. COORDINATE WITH COLUMN DETAILS
- 49 SOUND Baffle, RE: DETAIL 5/ A12.68
- 50 RE: SHEET A12.75 FOR DETAILS

GENERAL NOTES

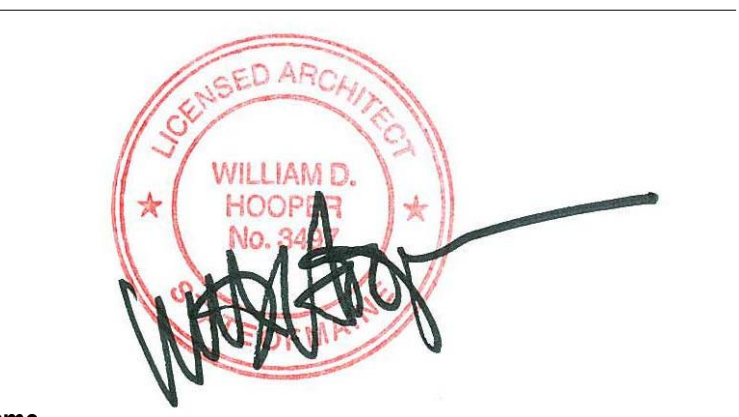
- A REFER TO SHEET A00.13 FOR TYPICAL MOUNTING HEIGHTS, U. O. N.
- B REFER TO SHEET A12.70 - A12.72 FOR COLUMN COVER SIZES AND DETAILS
- C REFER TO PLANS FOR ALL HORIZONTAL DIMENSIONS U.O.N.
- D HORIZONTAL REVEALS TO TRACK AROUND ELEVATOR ENCLOSURE
- E REFER TO PLANS FOR ALL DEVICES, FEC, AND DIFIBULATOR HORIZONTAL LOCATIONS
- F REFER TO SHEET A00.13 FOR MOUNTING DIAGRAMS

Portland International Jetport
1001 Westbrook Street
Portland, Maine 04102

Gensler
2020 K Street, Northwest
Suite 200
Washington DC 20006
Telephone 202.721.5200
Facsimile 202.872.8587

Date	Description
09/22/08	DESIGN DEVELOPMENT
12/03/08	75% CONSTRUCTION DOCUMENTS
01/23/09	95% CONSTRUCTION DOCUMENTS
10/26/09	ISSUED FOR PERMIT
145 09/01/11	ISSUED FOR CONSTRUCTION

Seal/Signature



Project Name
PWM Terminal Enhancement

Project Number
09.6395.000

Description
INTERIOR ELEVATIONS

Scale
As indicated

A11.11

© 2009 Gensler