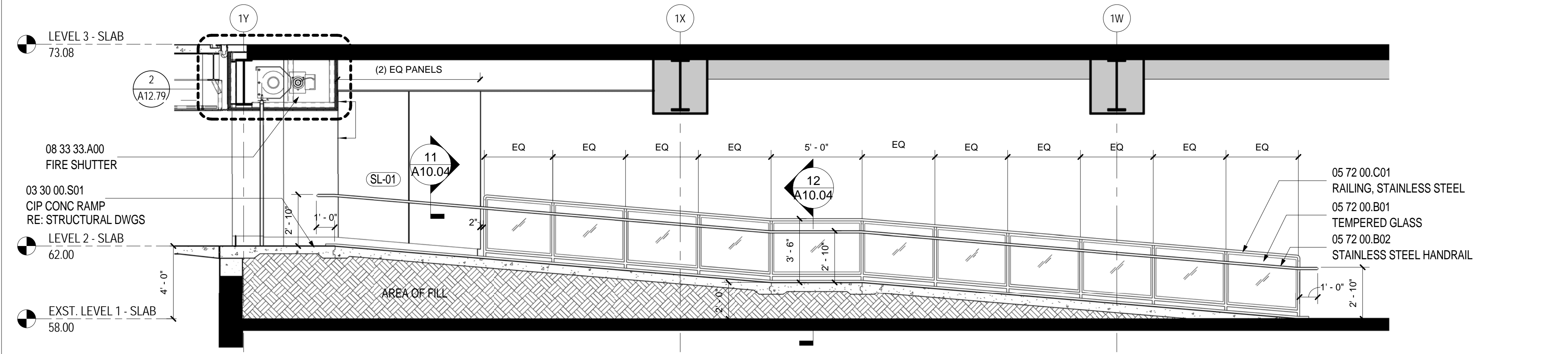
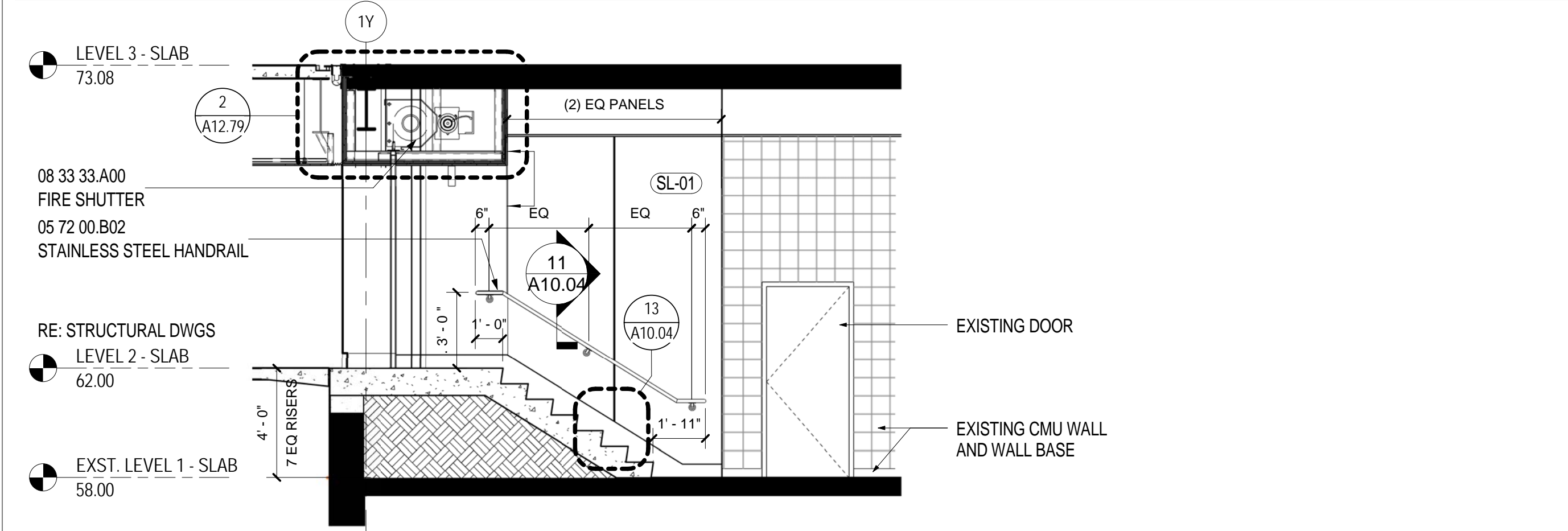


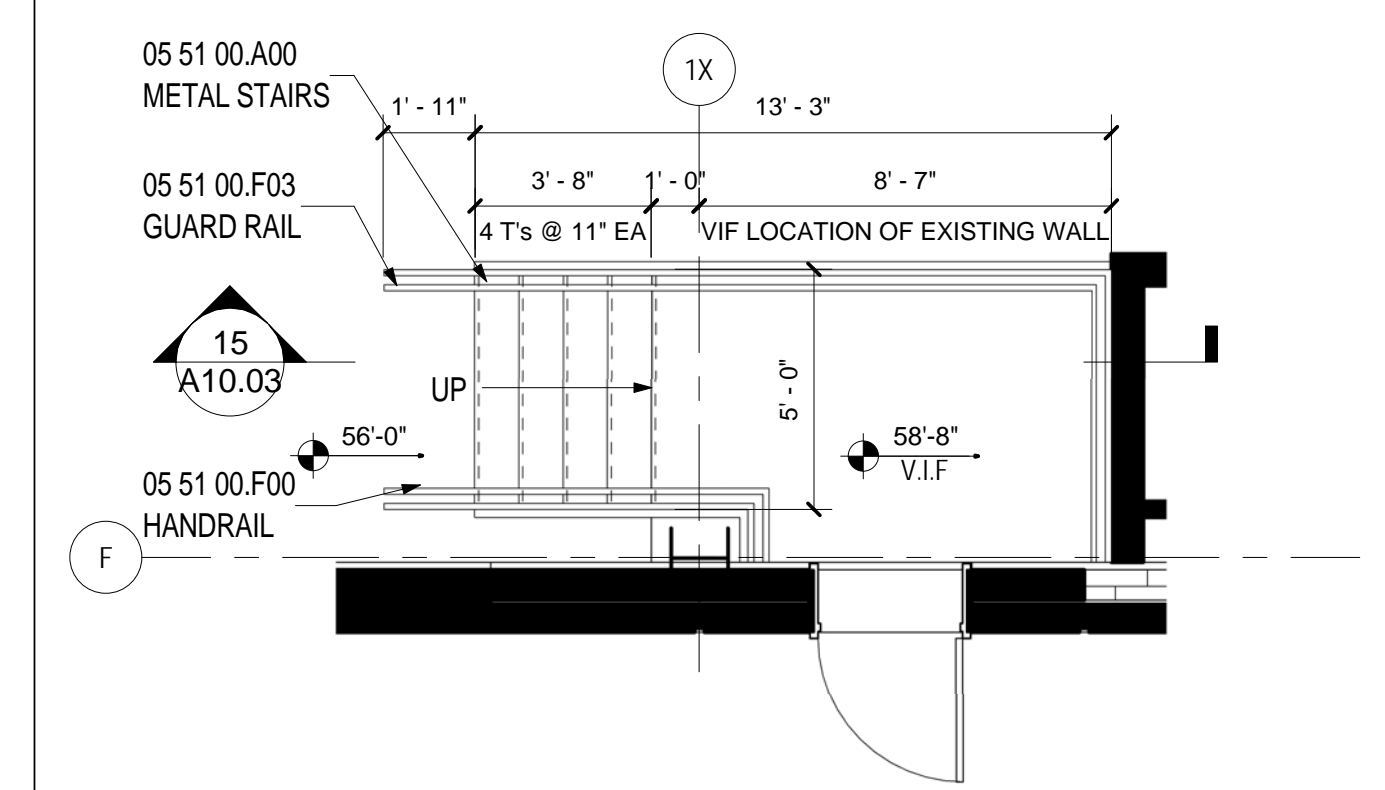
PLAN - STAIR/RAMP AT EXISTING TERMINAL
SCALE: 1/4" = 1'-0" A02.01.03 11



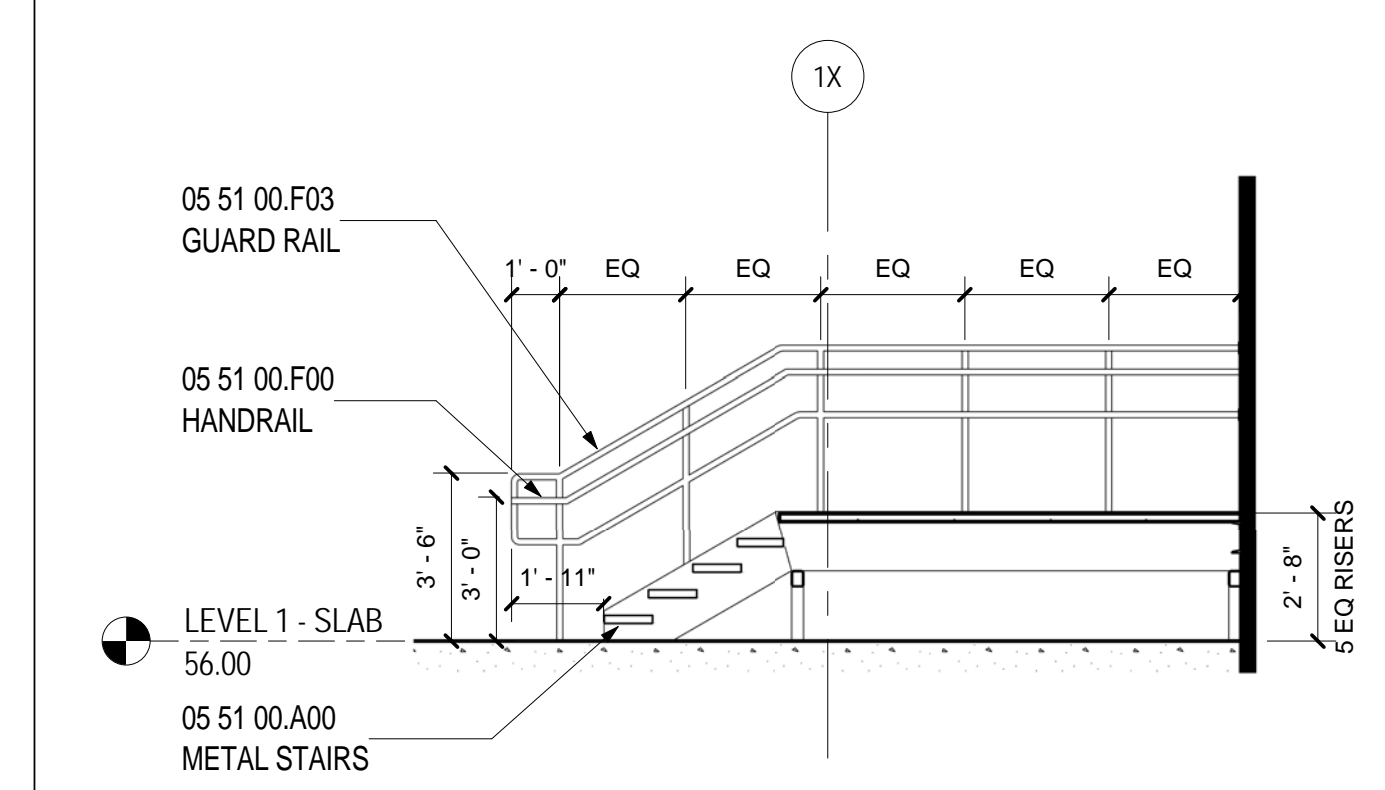
SECTION - RAMP AT EXISTING TERMINAL
SCALE: 1/4" = 1'-0" A10.03 12



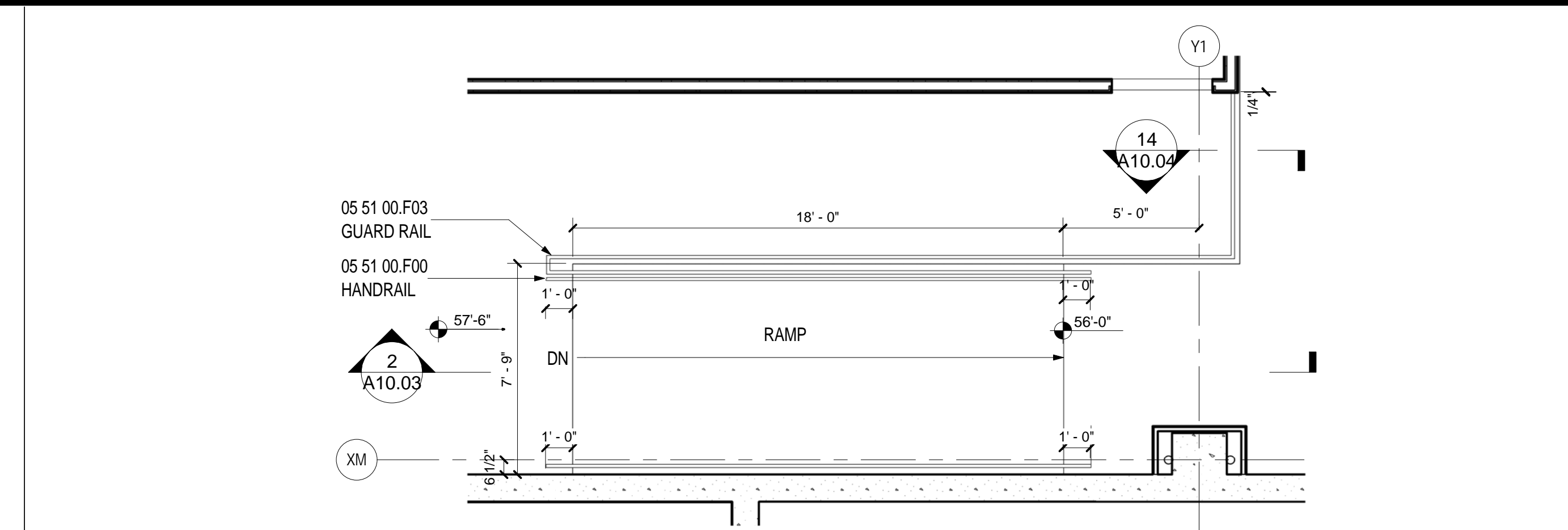
SECTION - STAIR AT EXISTING TERMINAL
SCALE: 1/4" = 1'-0" A10.03 16



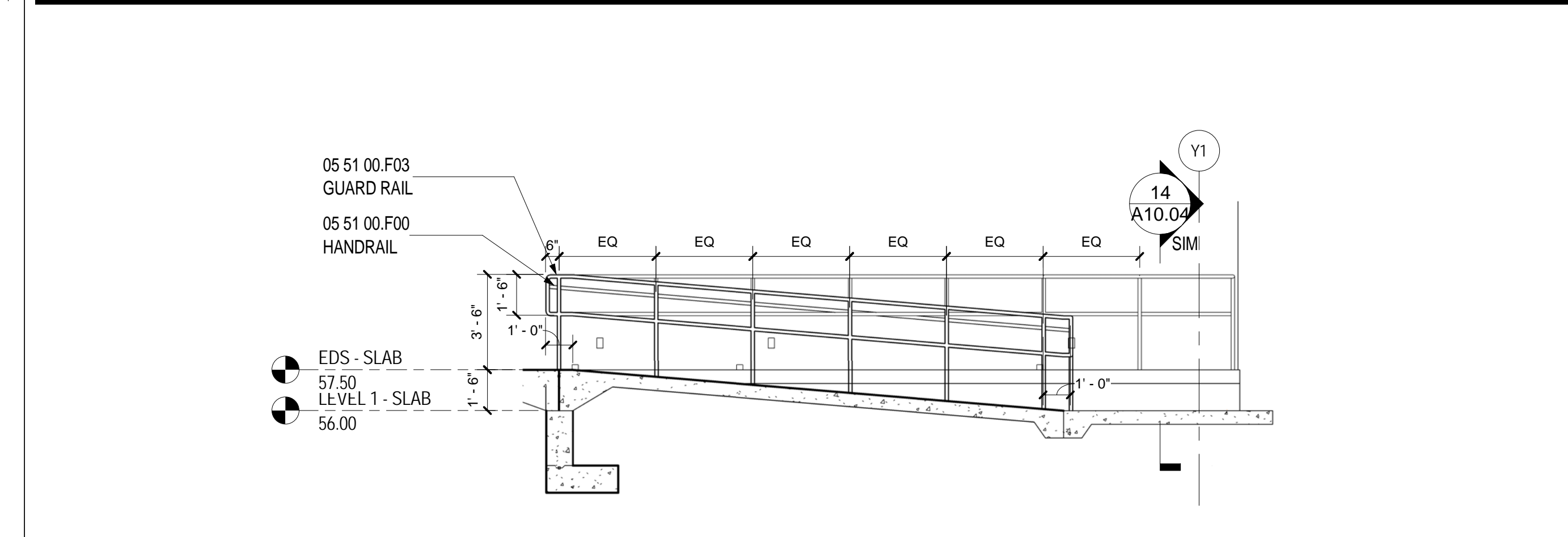
PLAN - STAIR @ BAGGAGE OUTBOUND
SCALE: 1/4" = 1'-0" A02.01.04 14



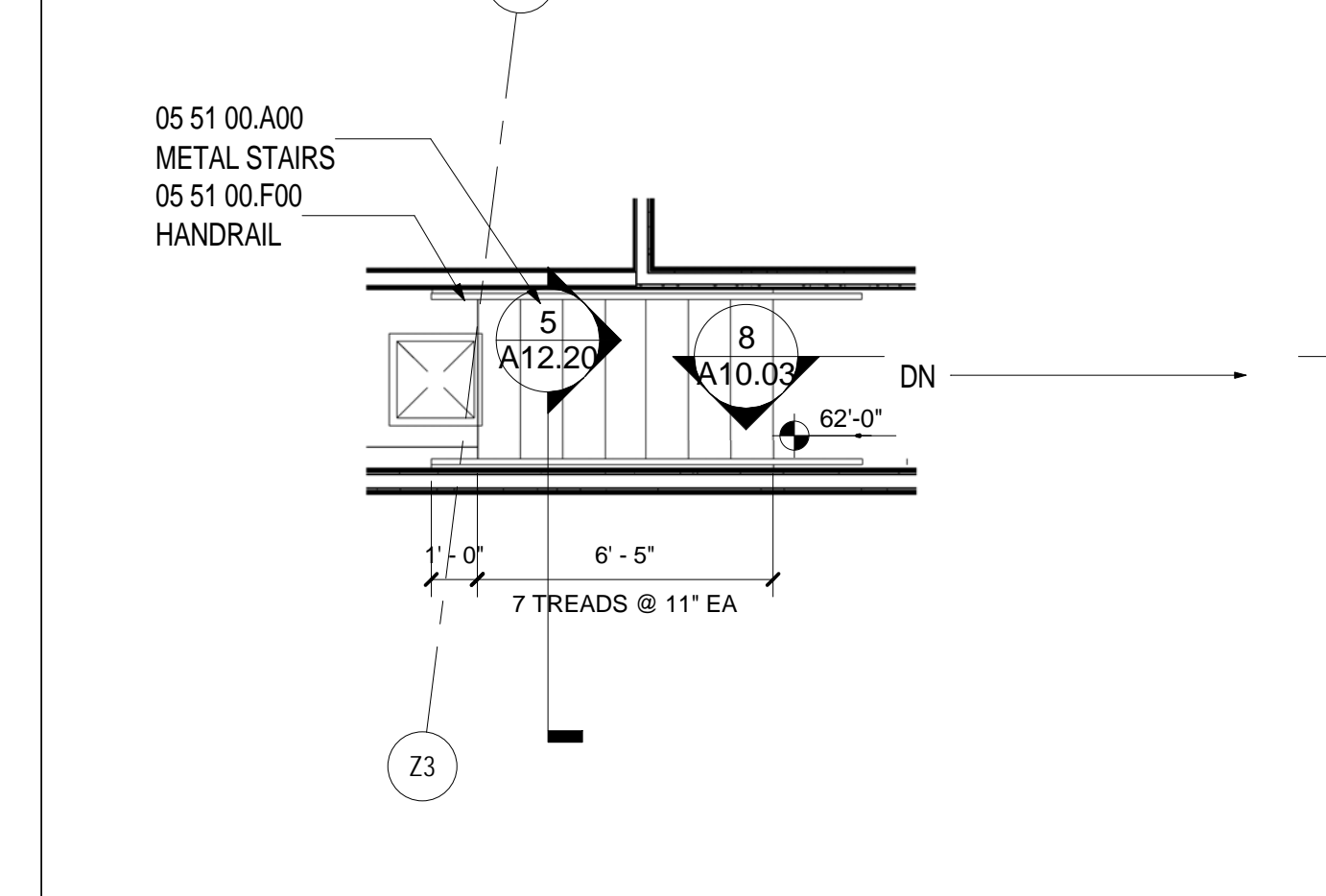
SECTION - STAIR @ BAG OUTBOUND
SCALE: 1/4" = 1'-0" A10.03 15



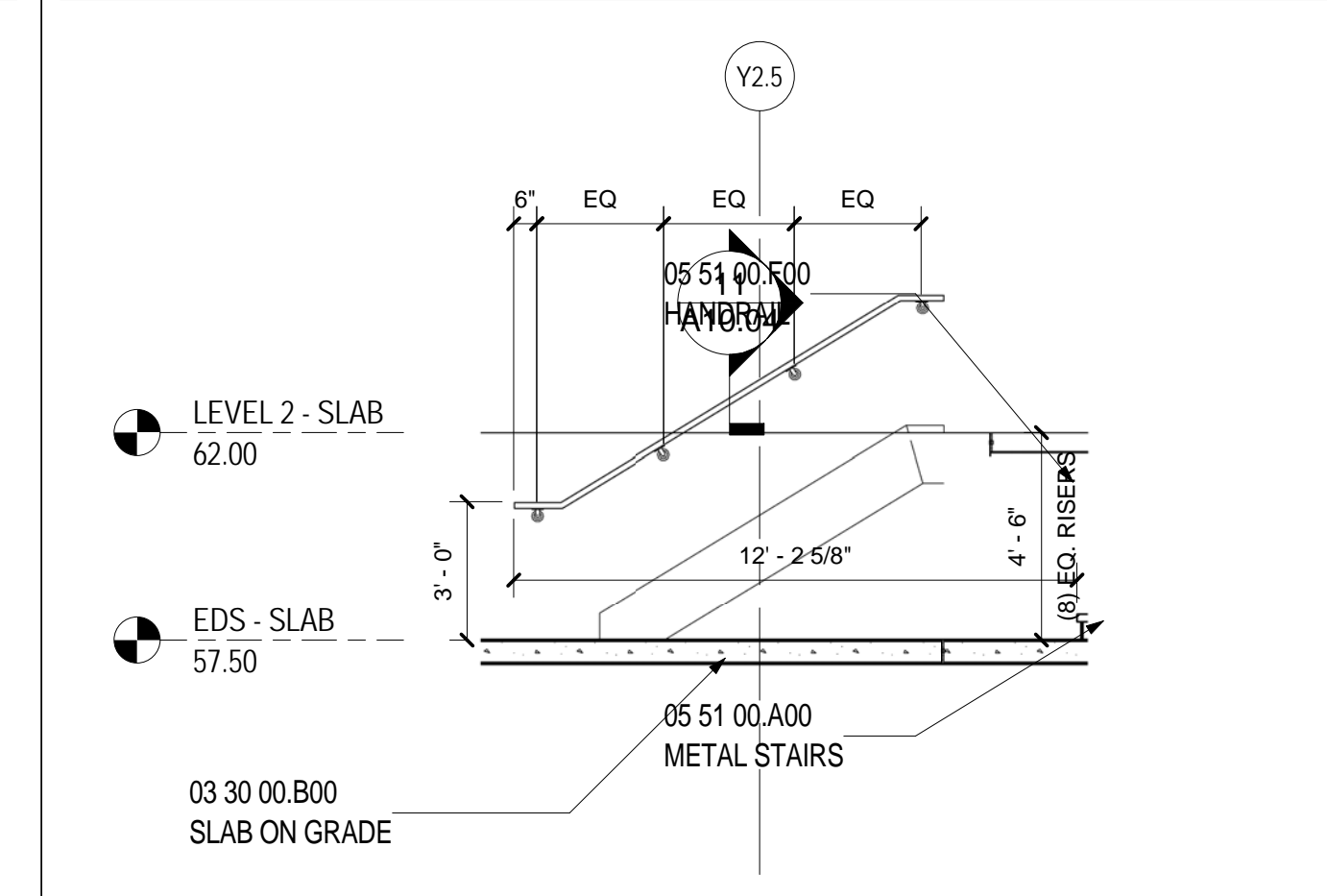
PLAN - RAMP AT BAGGAGE SCREENING
SCALE: 1/4" = 1'-0" A02.01.05 1



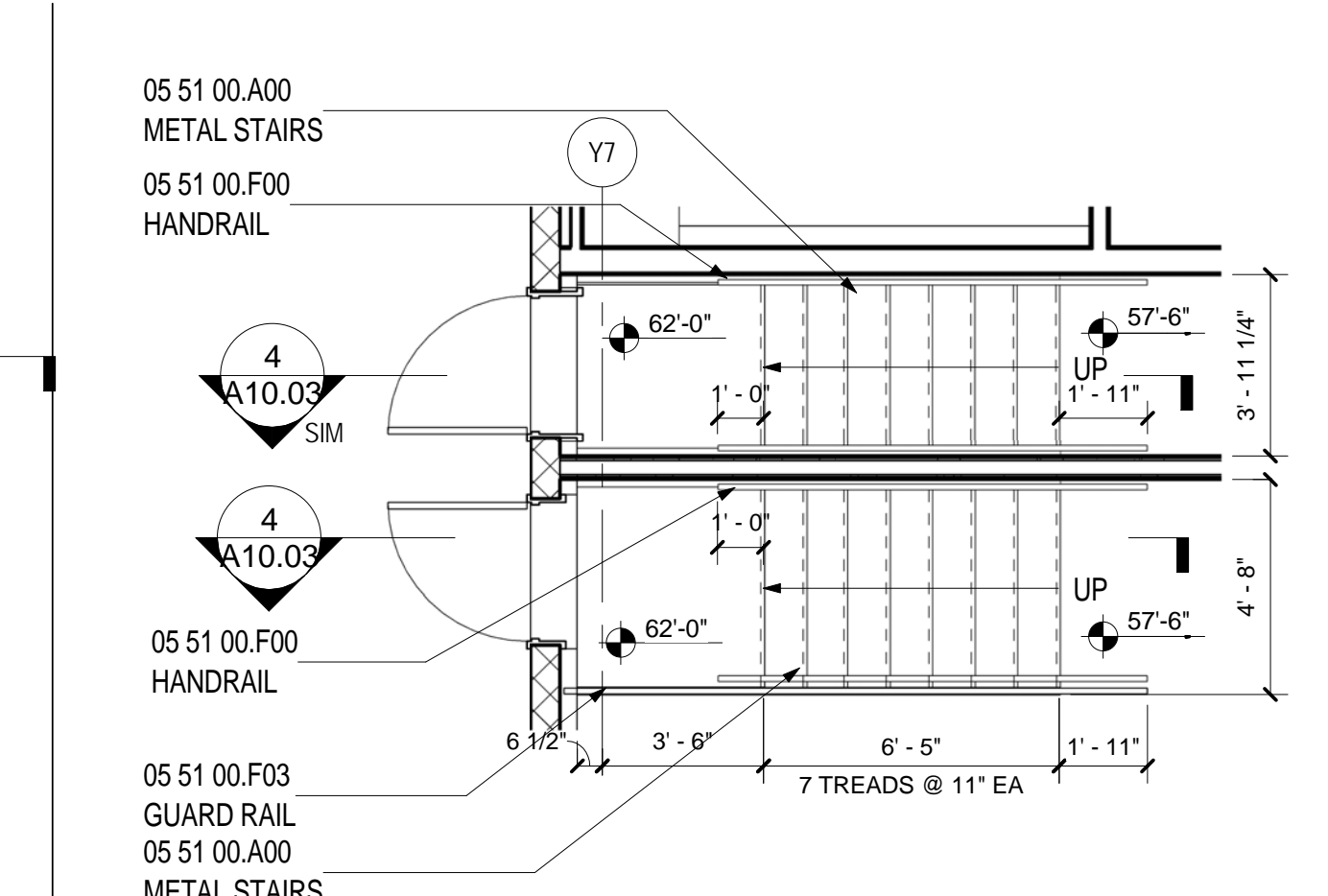
SECTION - RAMP @ BAGGAGE SCREENING
SCALE: 1/4" = 1'-0" A10.03 2



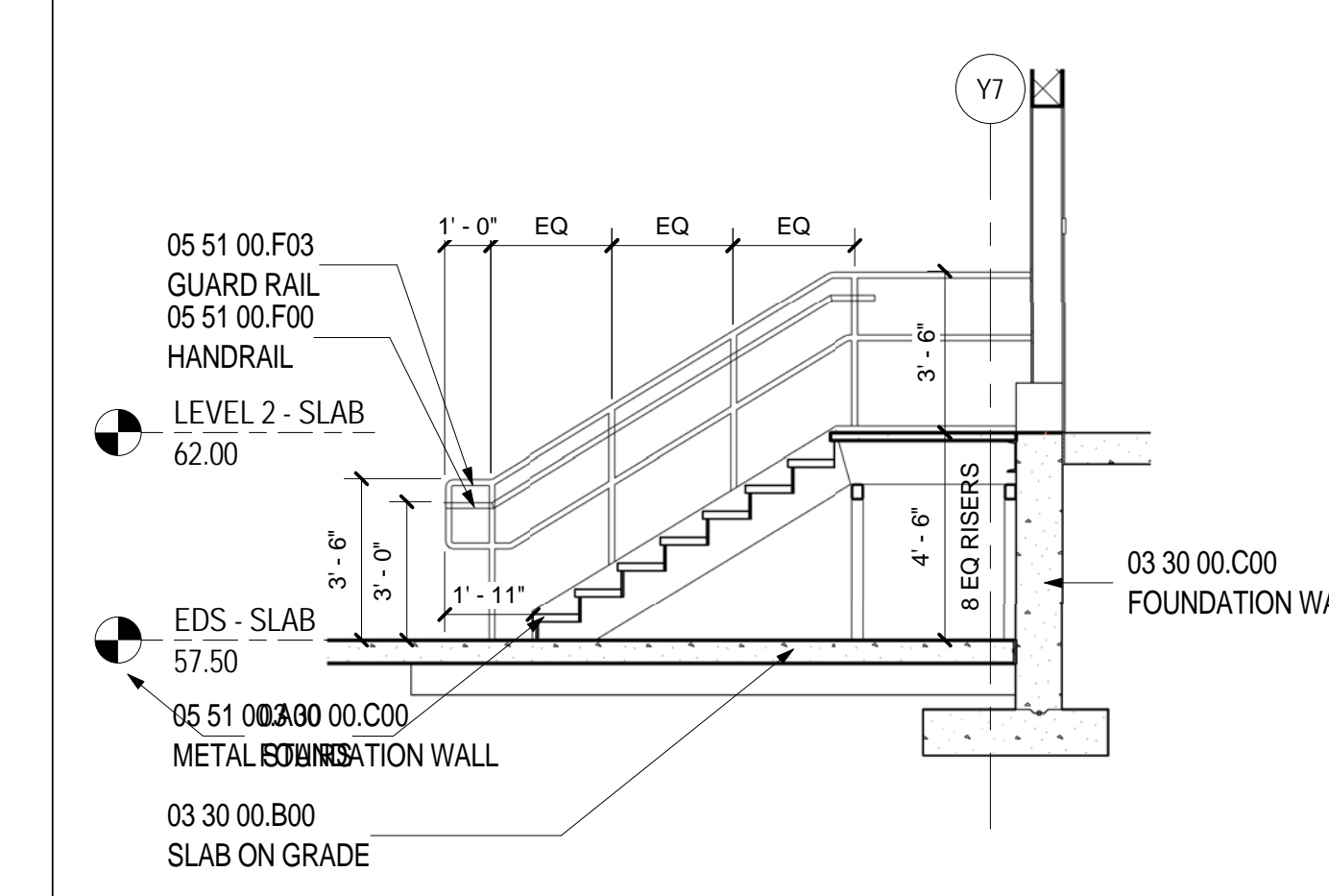
PLAN - STAIR AT CORRIDOR
SCALE: 1/4" = 1'-0" A02.01.03 7



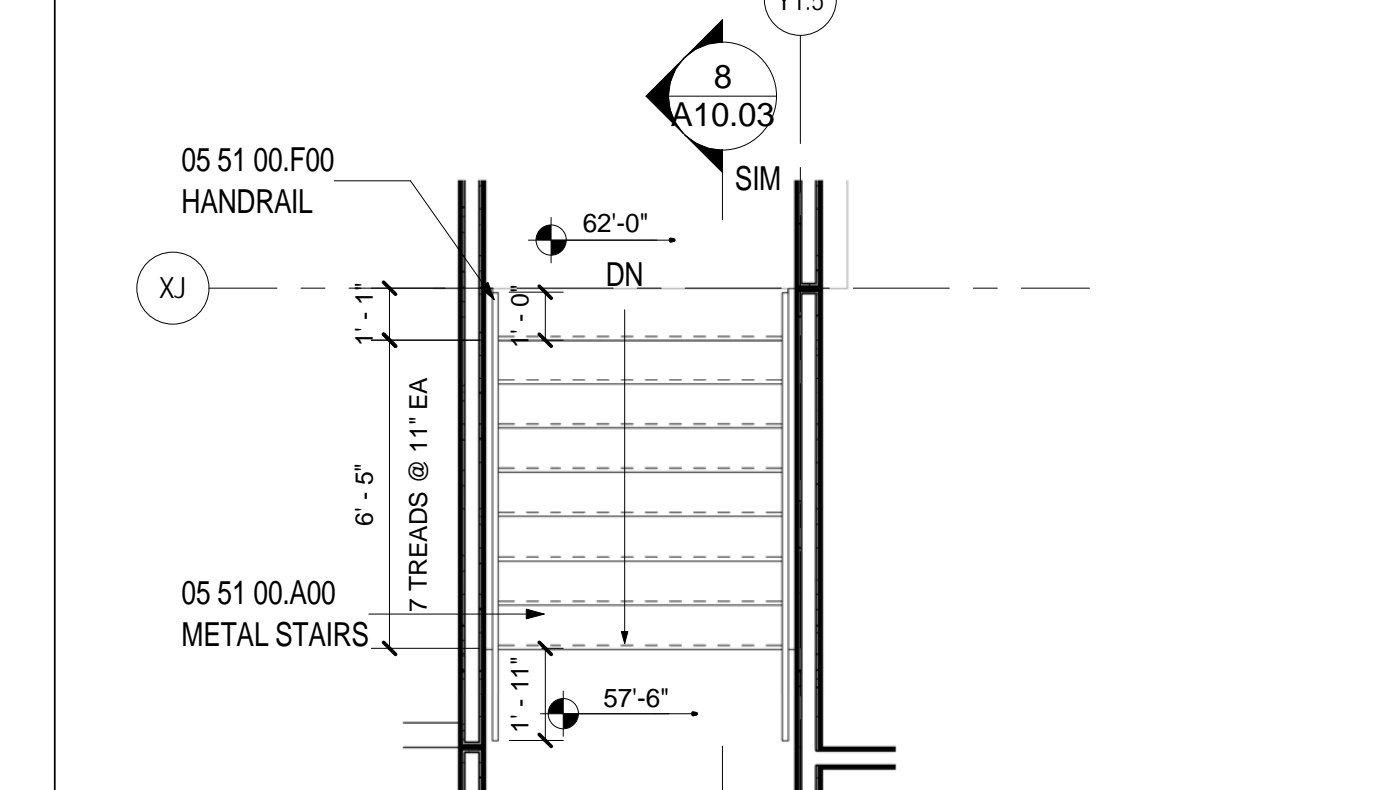
SECTION - STAIR AT CORRIDOR
SCALE: 1/4" = 1'-0" A10.03 8



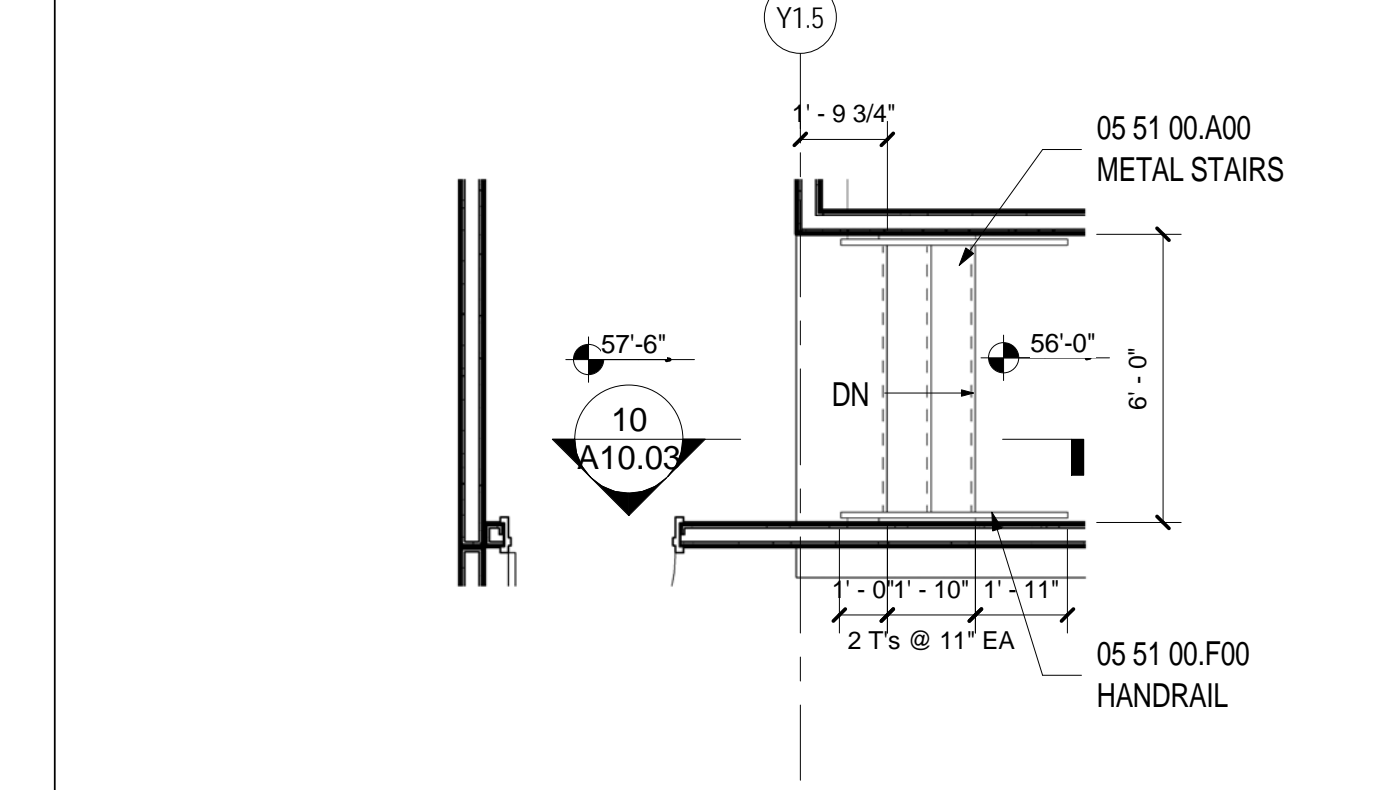
PLAN - EGRESS STAIR @ LEVEL 1
SCALE: 1/4" = 1'-0" A02.01.03 3



SECTION - EGRESS STAIR @ LEVEL 1
SCALE: 1/4" = 1'-0" A10.03 4



PLAN - STAIR AT CORRIDOR.
SCALE: 1/4" = 1'-0" A02.01.03 5



SECTION - STAIR AT CORRIDOR.
SCALE: 1/4" = 1'-0" A02.01.05 6

SHEET NOTES

Portland International
Jetport
1001 Westbrook Street
Portland, Maine 04102

Gensler
2020 K Street, Northwest
Suite 200
Washington, DC 20006
Telephone 202.721.5200
Facsimile 202.872.8587

Date	Description
01/23/09	95% CONSTRUCTION DOCUMENTS
10/24/09	ISSUED FOR PERMIT
2 11/12/09	ADDENDUM # 2
145 09/01/11	ISSUED FOR CONSTRUCTION

Seal/Signature

Project Name
PJM Terminal Enhancement

Project Number
09.6395.000

Description
VERTICAL CIRCULATION - STAIRS AT BAGGAGE

Scale
1/4" = 1'-0"

A10.03

© 2009 Gensler