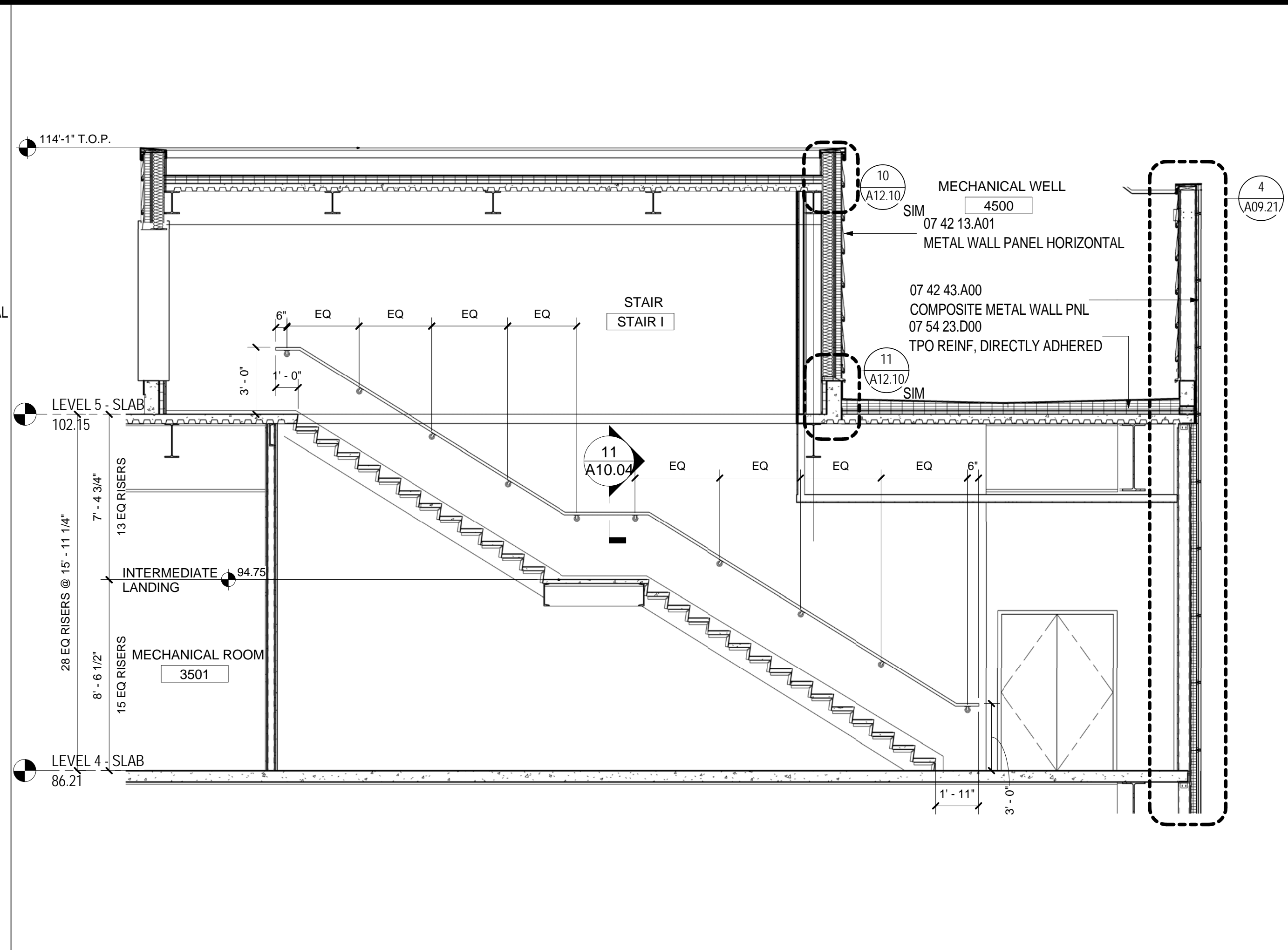
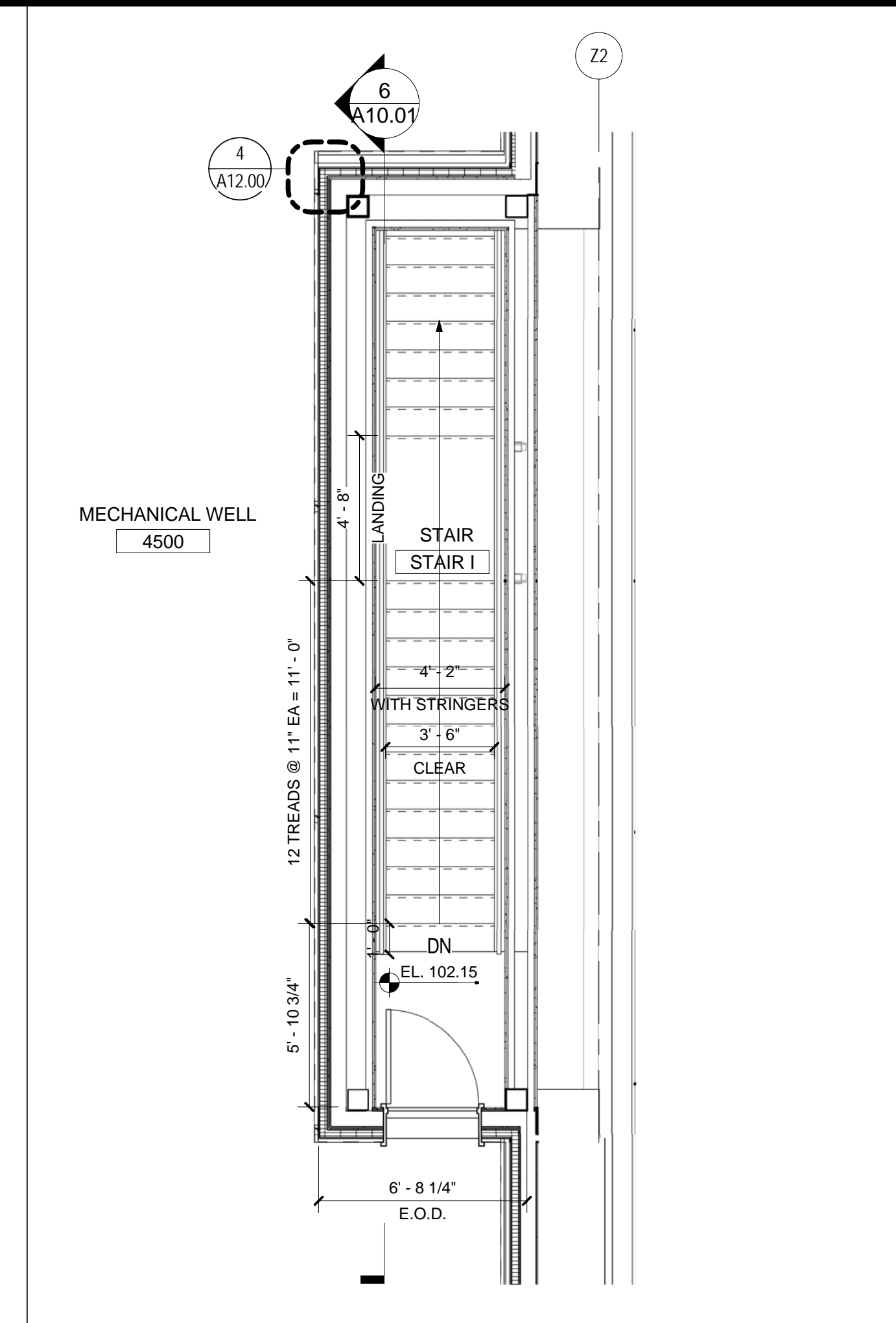


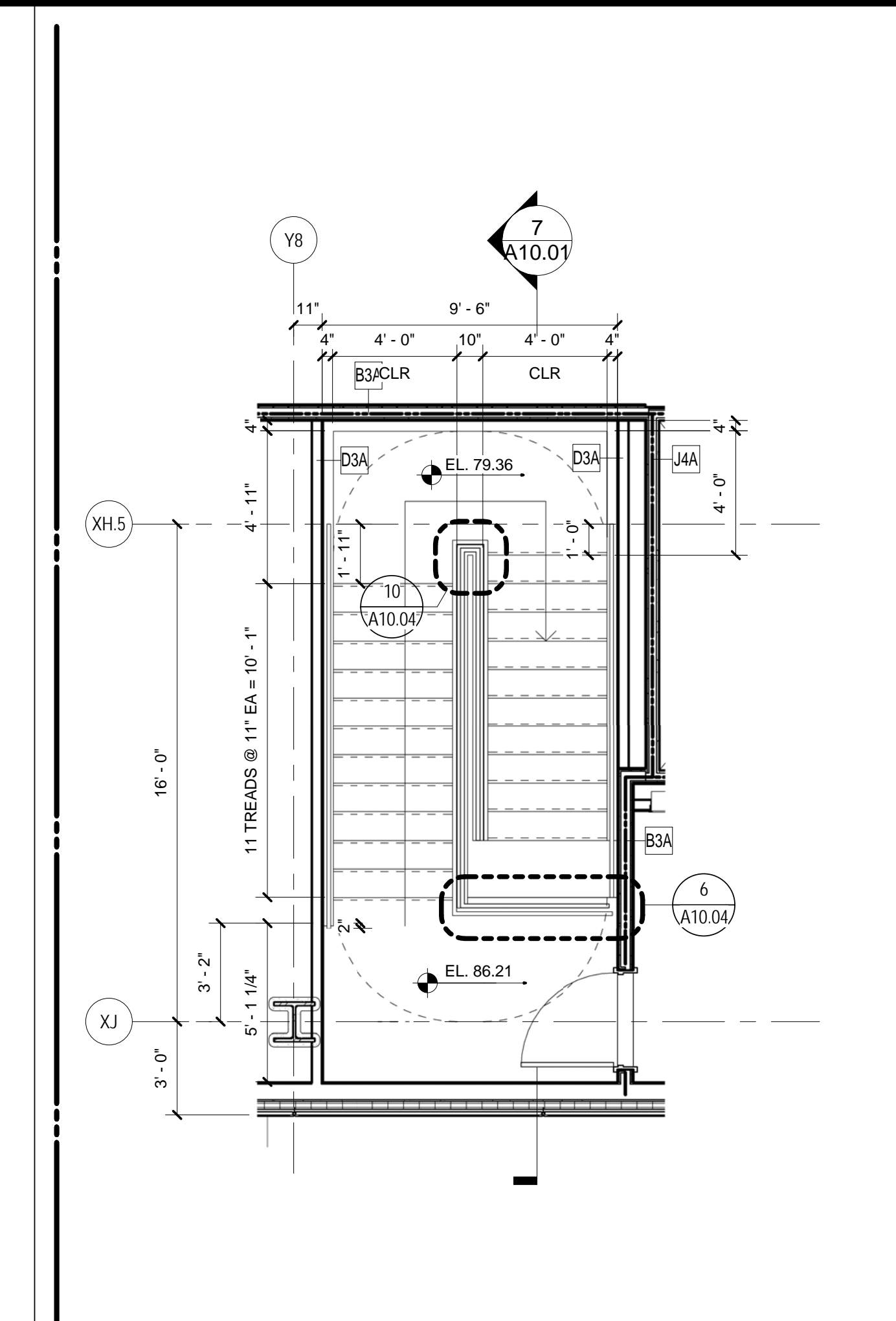
STAIR #18 - SECTION B
SCALE: 1/4" = 1'-0"



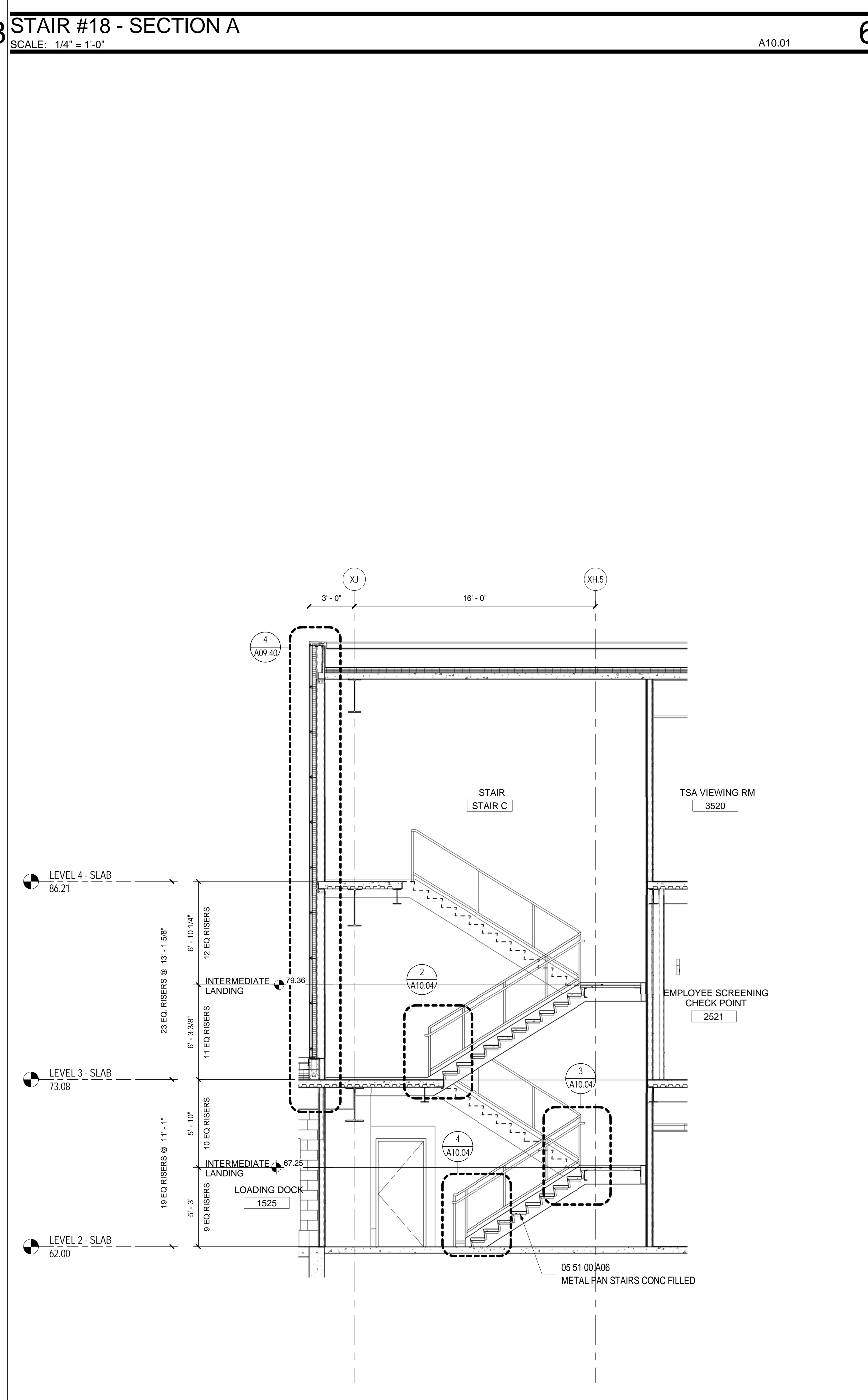
STAIR #18 - SECTION A
SCALE: 1/4" = 1'-0"



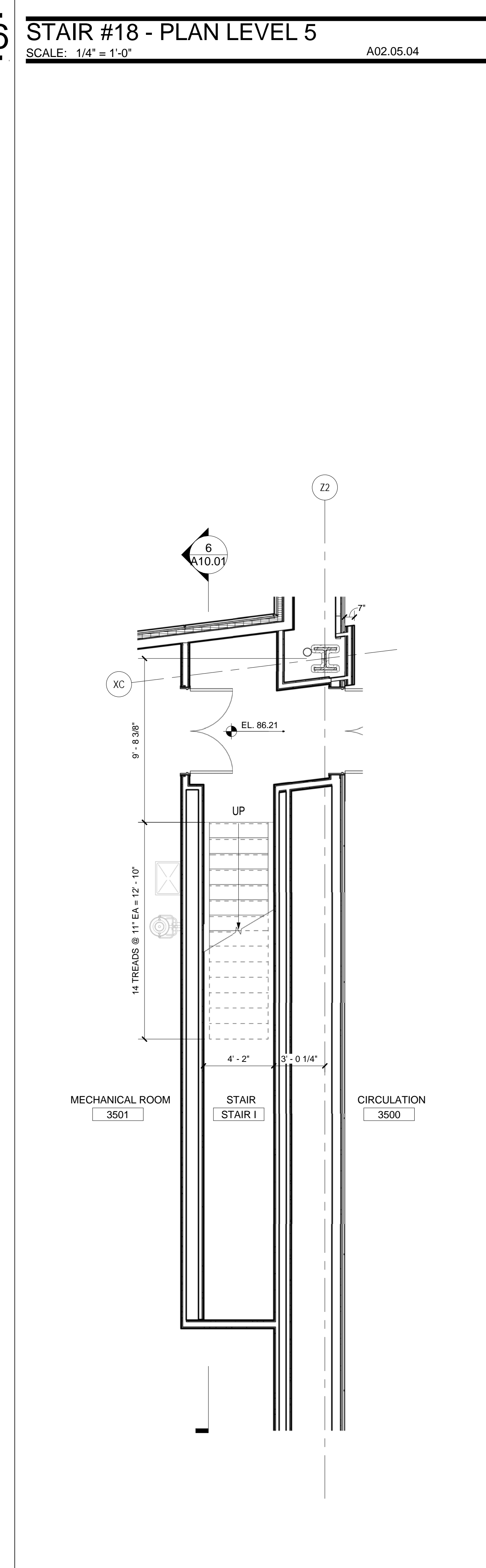
STAIR #18 - PLAN LEVEL 5
SCALE: 1/4" = 1'-0"



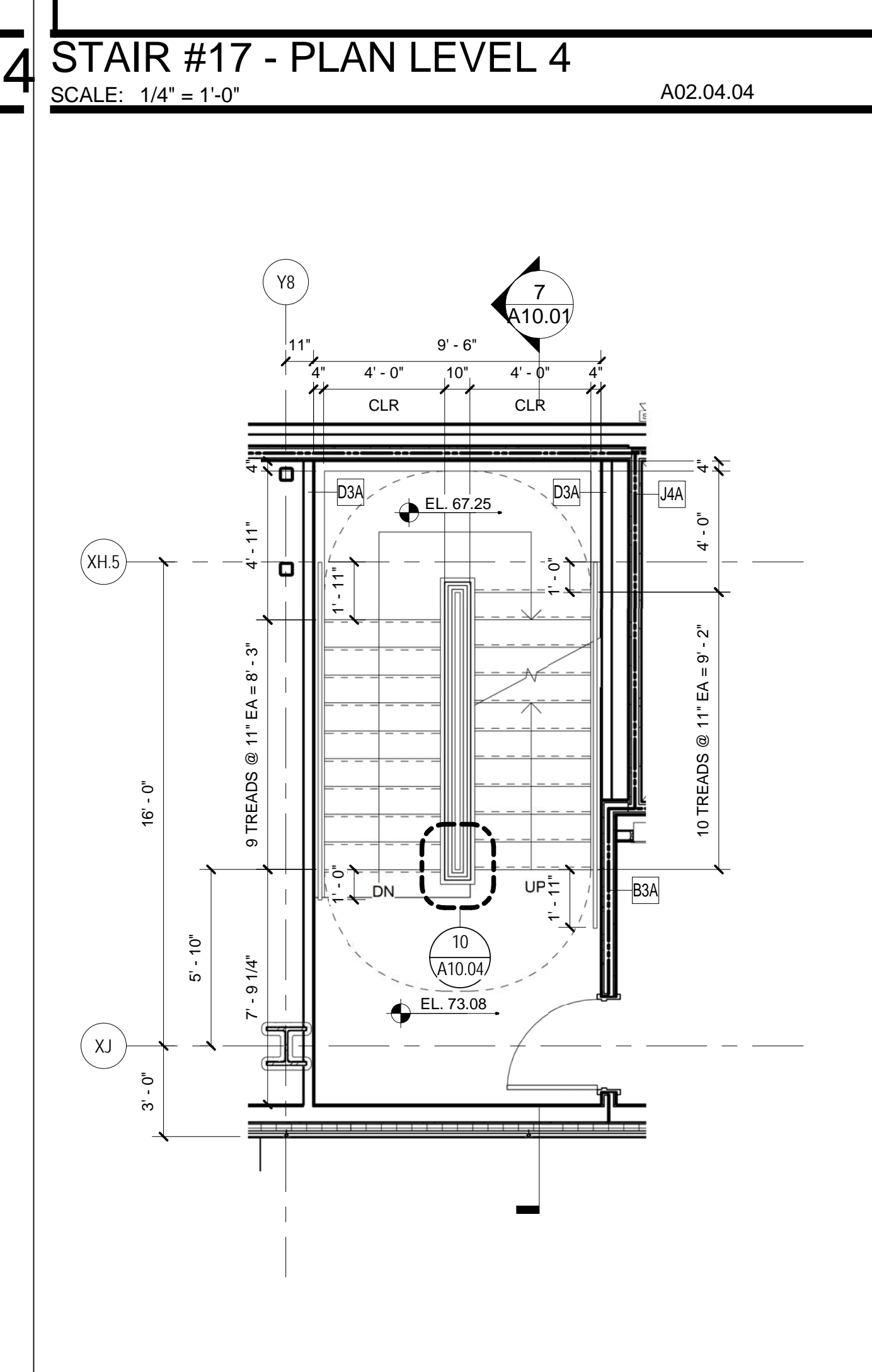
STAIR #17 - PLAN LEVEL 4
SCALE: 1/4" = 1'-0"



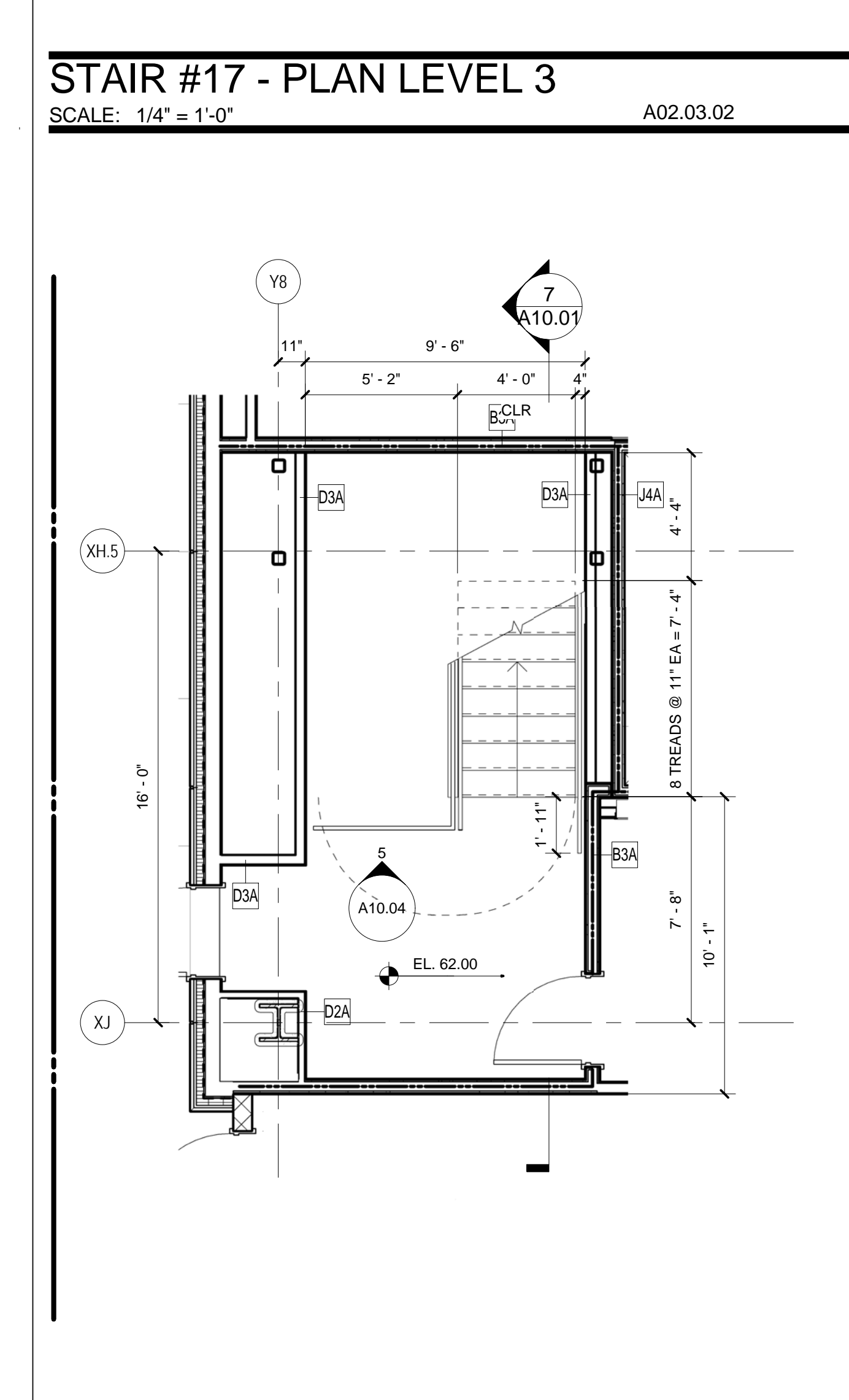
STAIR #17 - SECTION
SCALE: 1/4" = 1'-0"



STAIR #18 - PLAN LEVEL 4
SCALE: 1/4" = 1'-0"



STAIR #17 - PLAN LEVEL 3
SCALE: 1/4" = 1'-0"



STAIR #17 - PLAN LEVEL 2
SCALE: 1/4" = 1'-0"

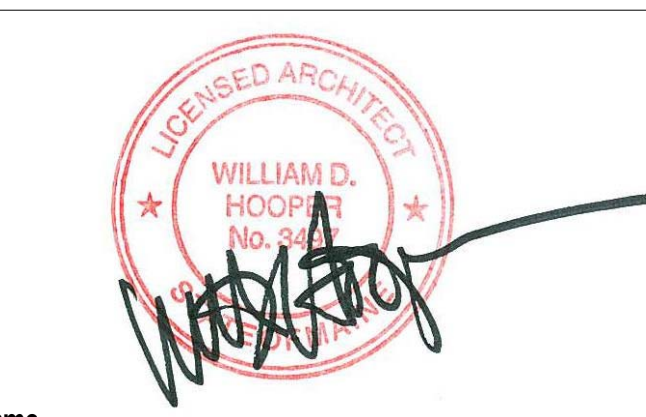
SHEET NOTES

Portland International
Jetport
1001 Westbrook Street
Portland, Maine 04102

Gensler
2020 K Street, Northwest
Suite 200
Washington DC 20006
Telephone 202.721.5200
Facsimile 202.872.8587

Date	Description
09/22/08	DESIGN DEVELOPMENT
12/03/08	75% CONSTRUCTION DOCUMENTS
01/23/09	95% CONSTRUCTION DOCUMENTS
10/26/09	ISSUED FOR PERMIT
4 01/12/09	BULLETIN #1
145 09/01/11	ISSUED FOR CONSTRUCTION

Seal/Signature



Project Name
PJM Terminal Enhancement

Project Number
09.6395.000

Description
VERTICAL CIRCULATION - STAIR #17 & 18

Scale
1/4" = 1'-0"

A10.01

© 2009 Gensler