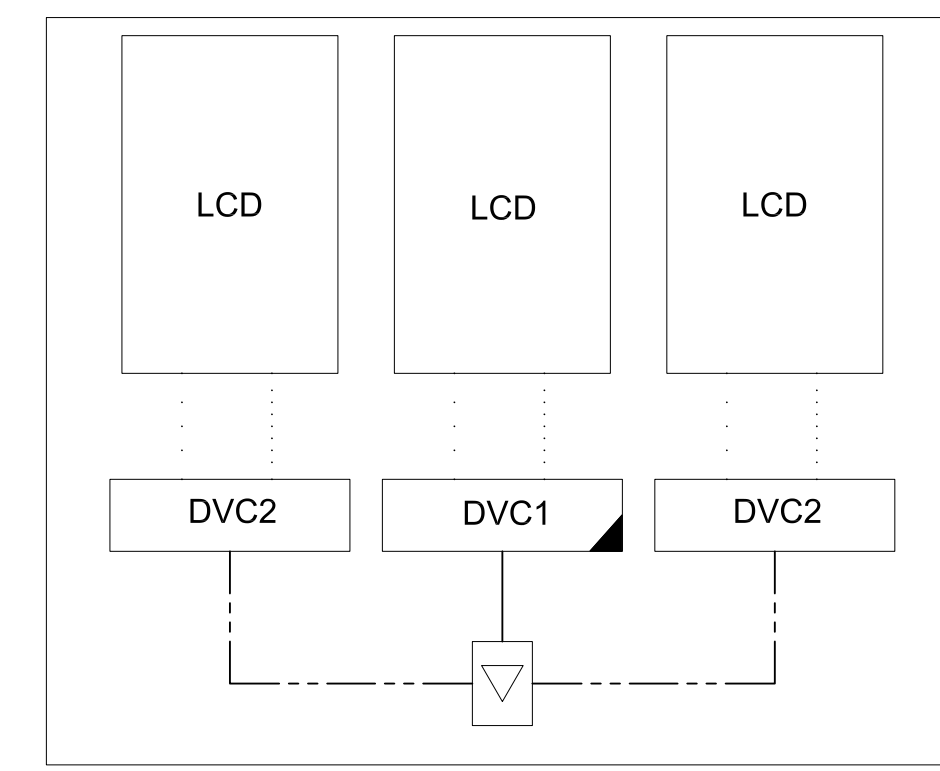
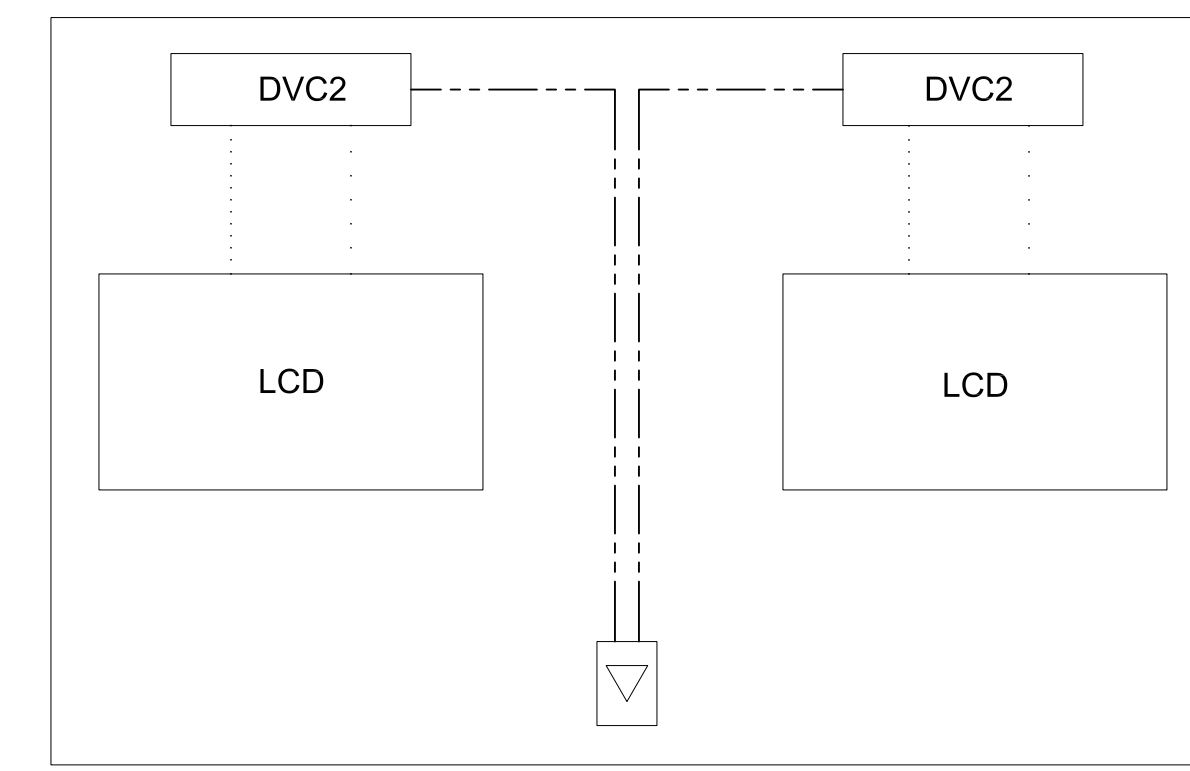


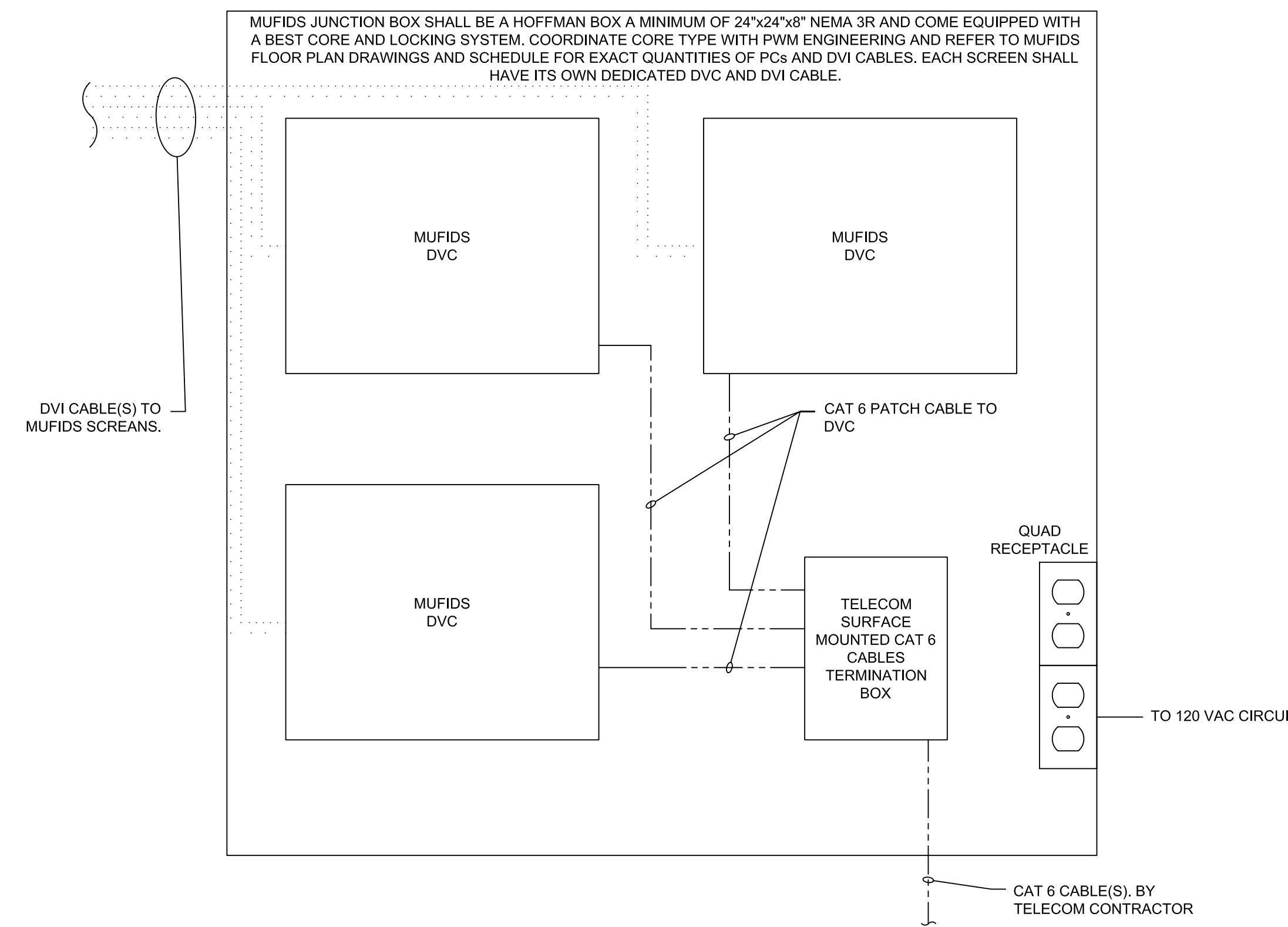
1 MUFIDS TICKET AREA BACKWALL (TYP.)  
SCALE: NTS



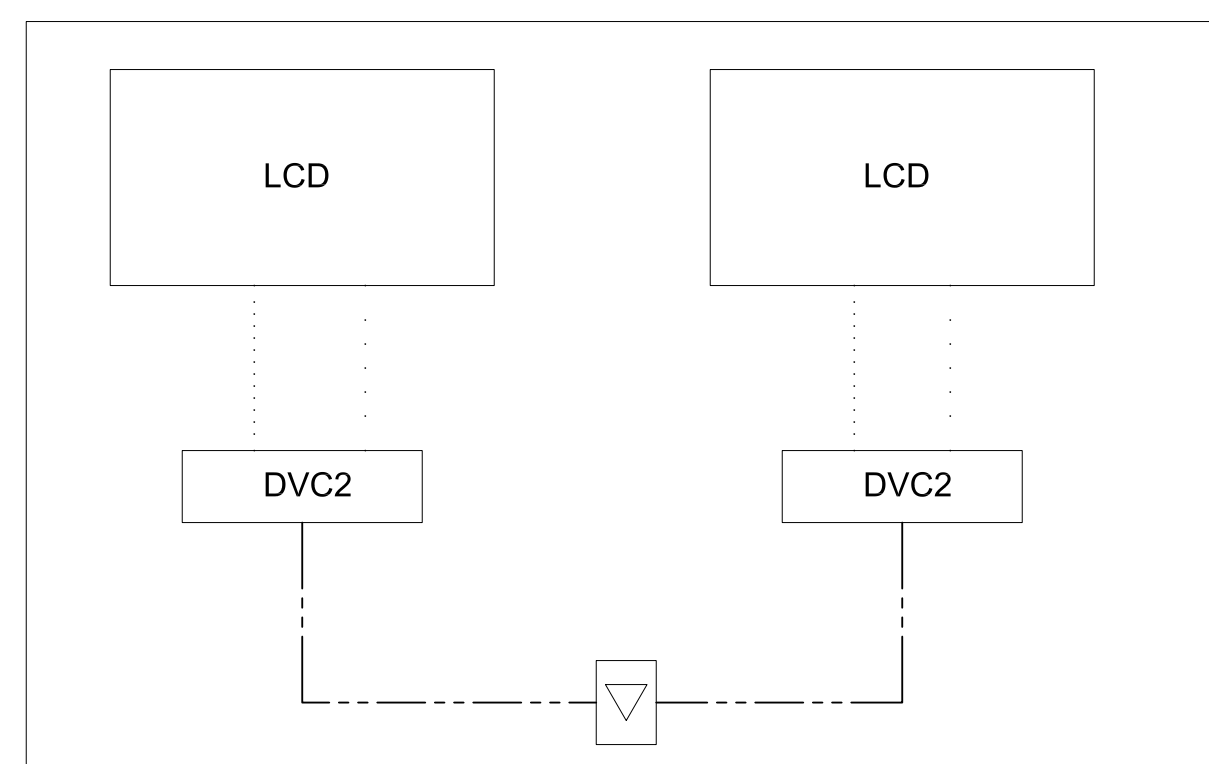
2 MUFIDS - THREE SCREEN MONITOR BANK (TYP.)  
SCALE: NTS



3 MUFIDS - TWO POSITION GATE COUNTER (TYP.)  
SCALE: NTS

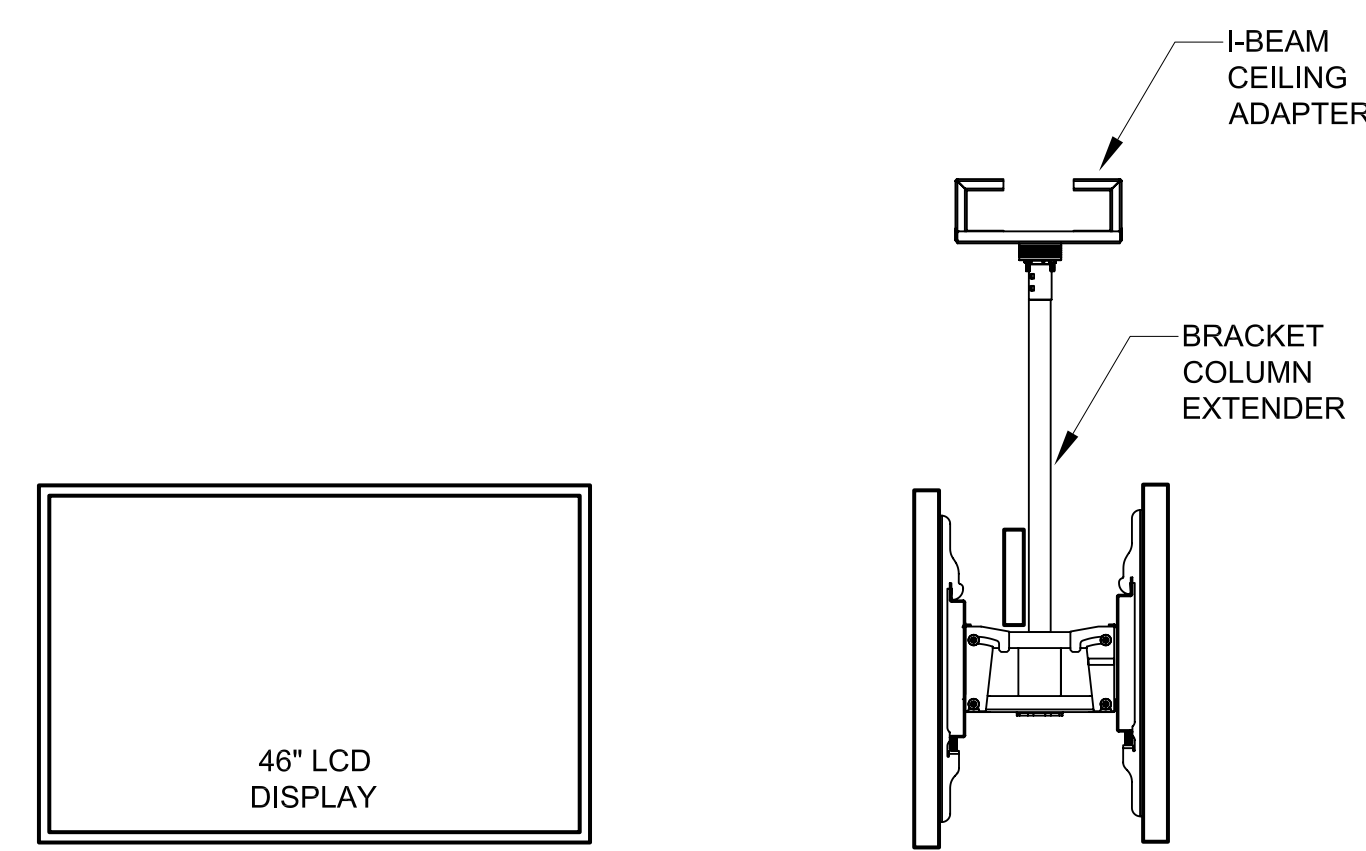


- LEGEND:**
- GIGABIT ETHERNET
  - ..... VIDEO
  - - - - - ETHERNET
  - \_\_\_\_\_ SERIAL
  - - - - - USB
  - ..... RS232 CONTROL



4 MUFIDS - BAG CLAIM (TYP.)  
SCALE: NTS

5 MUFIDS - CEILING/WALL JUNCTION BOX  
SCALE: NTS

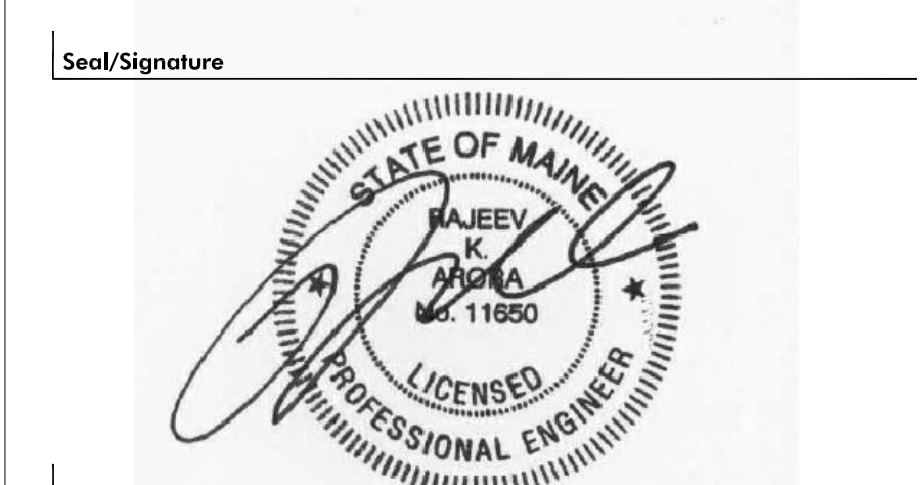


6 GATE INFORMATION DISPLAY - GID  
SCALE: NTS

**GENERAL NOTES**

- A REFER TO ARCHITECTURAL DRAWINGS FOR MUFIDS ELEVATIONS, EXACT LOCATION AND CONFIGURATION.
- B REFER TO ELECTRICAL DRAWINGS FOR POWER DISTRIBUTION.
- C REFER TO SCHEDULES ON DRAWINGS E500 THROUGH E503 FOR MORE INFORMATION ON INSTALLATION OF SCREENS.
- D DETAILS INDICATE CONNECTIVITY REQUIREMENTS, PHYSICAL POSITION AND CABLE ROUTING IS NOT INTENDED.
- E PROVIDE ALL INTERCONNECTING DEVICES AND CABLING REQUIRED FOR A FULLY OPERATIONAL SYSTEM THAT MEETS THE FUNCTIONAL, OPERATIONAL, AND PERFORMANCE REQUIREMENTS OF THE SYSTEM PLANS AND SPECIFICATIONS.
- F SERVICES/APPLICATIONS INDICATED ARE MINIMUM REQUIRED. ADDITIONAL SERVICES/APPLICATIONS SHALL BE PROVIDED BASED ON VENDOR SPECIFIC SOLUTION TO ENSURE ALL FUNCTIONAL, REDUNDANCY, AND PERFORMANCE REQUIREMENTS ARE MET.
- G TYPICAL HARDWARE CONFIGURATIONS SHOWN. REFER TO SCHEDULES AND PLAN VIEWS TO DETERMINE TOTAL EQUIPMENT COUNT.

Issue	Date & Issue Description	By	Check
	10/26/09		
	100% ISSUED FOR PERMIT		



Project Name  
PWM TERMINAL EXPANSION

Project Number

CAD File Name

MF12.00

Description  
MUFIDS AND COMMON USE  
MUFIDS SYSTEM DIAGRAM DETAILS

Scale  
As Indicated

**KEY PLAN**