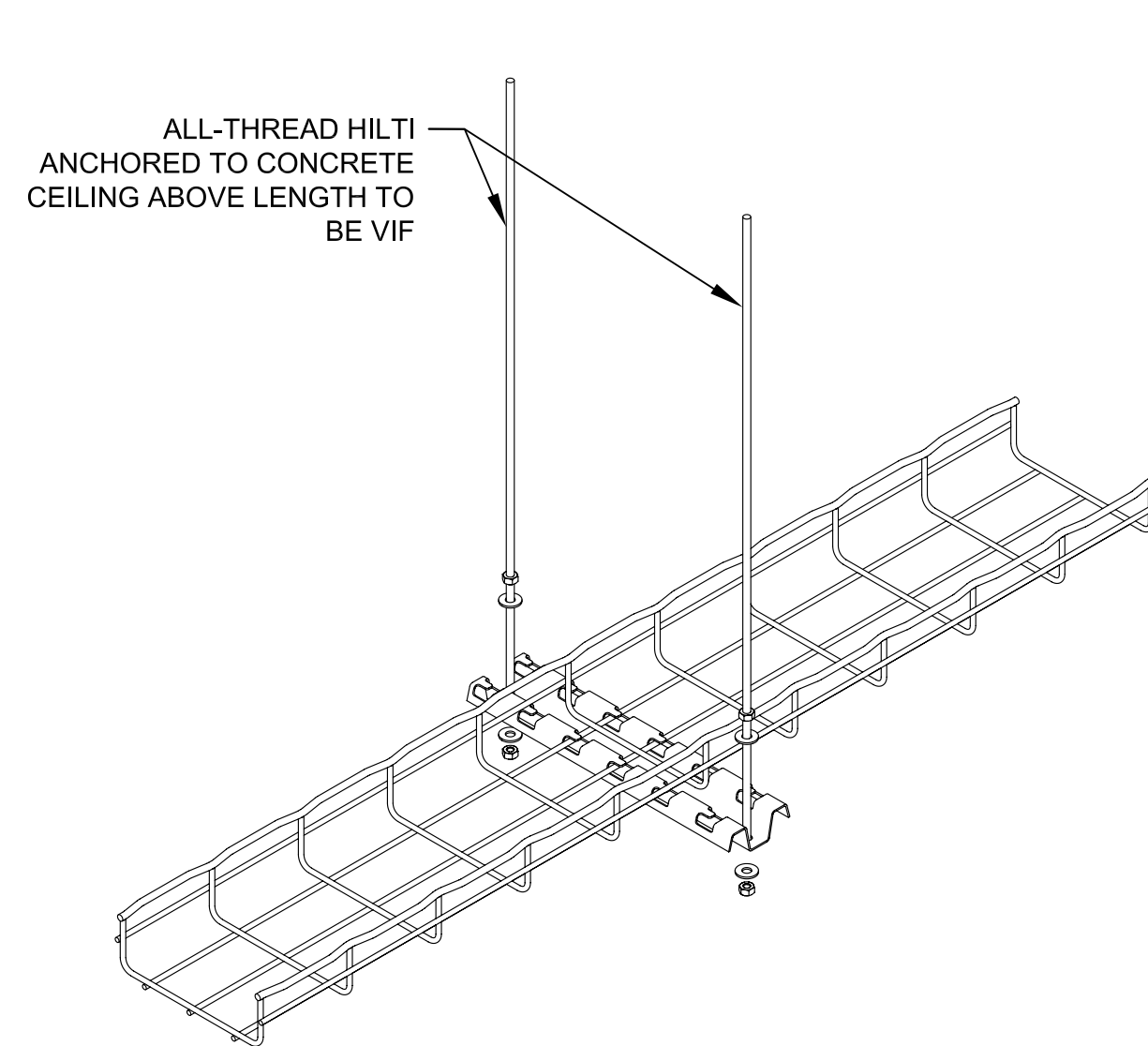
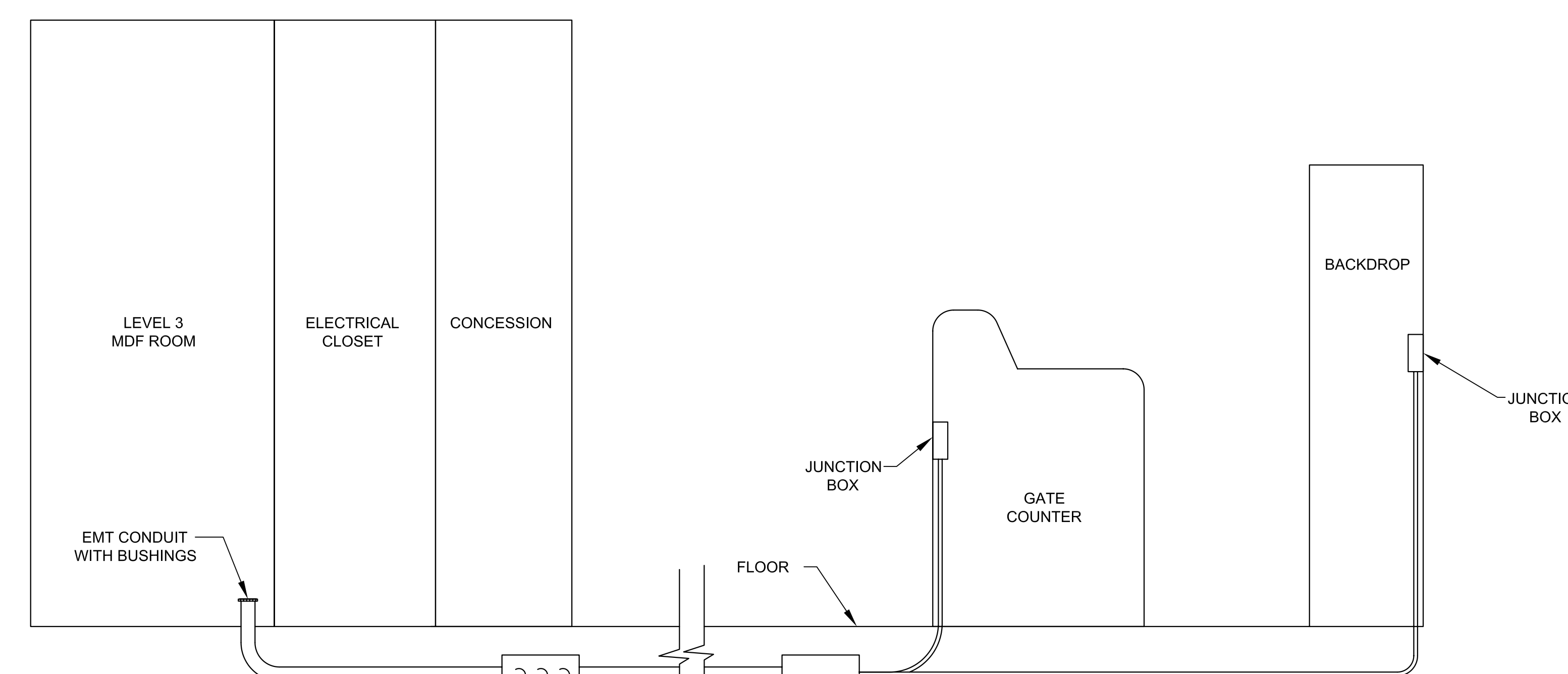


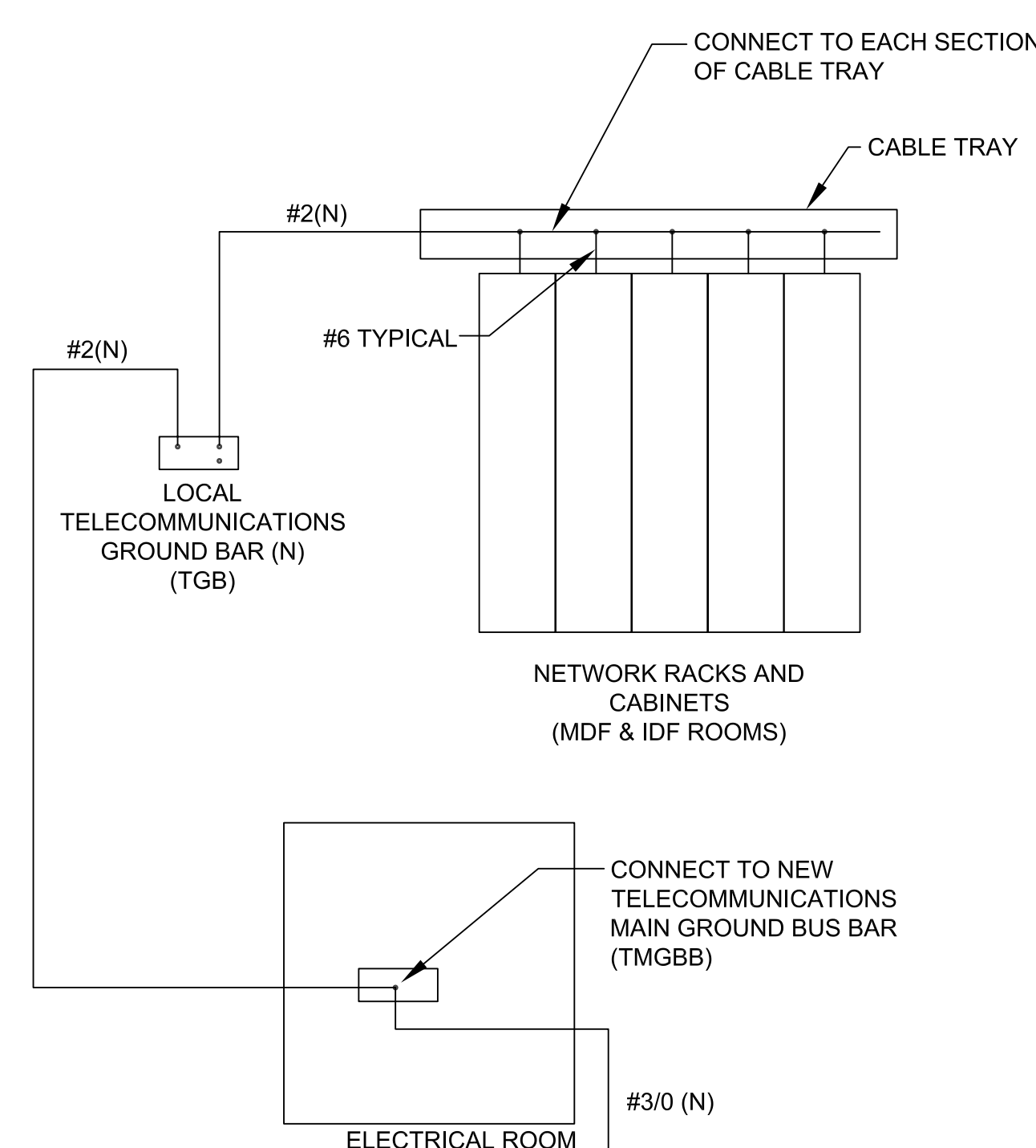
1 TICKET COUNTER CONDUIT SCHEMATIC DIAGRAM
TC12.08 N.T.S.



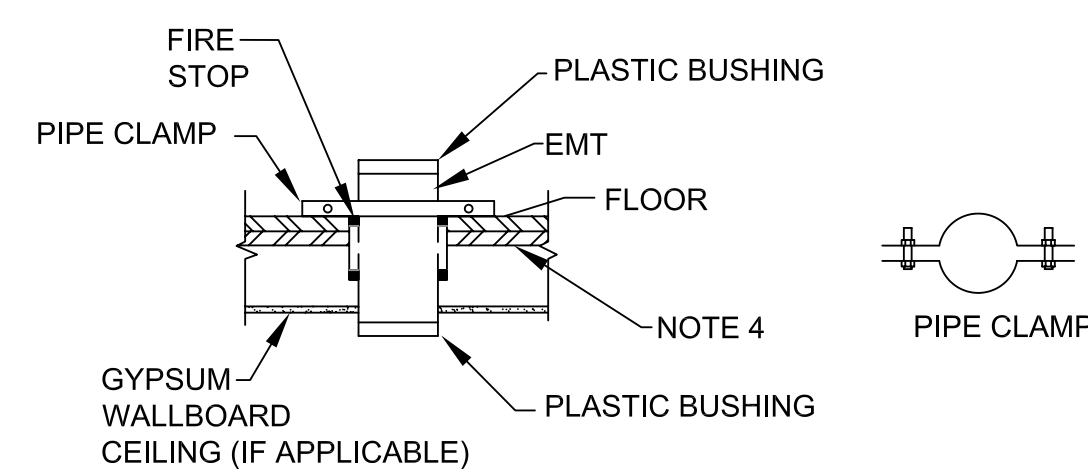
4 WIRE MESH CABLE TRAY - CEILING ANCHOR
TC12.08 N.T.S.



7 GATE COUNTER CONDUIT RUN SECTION - LEVEL 3
TC12.08 N.T.S.

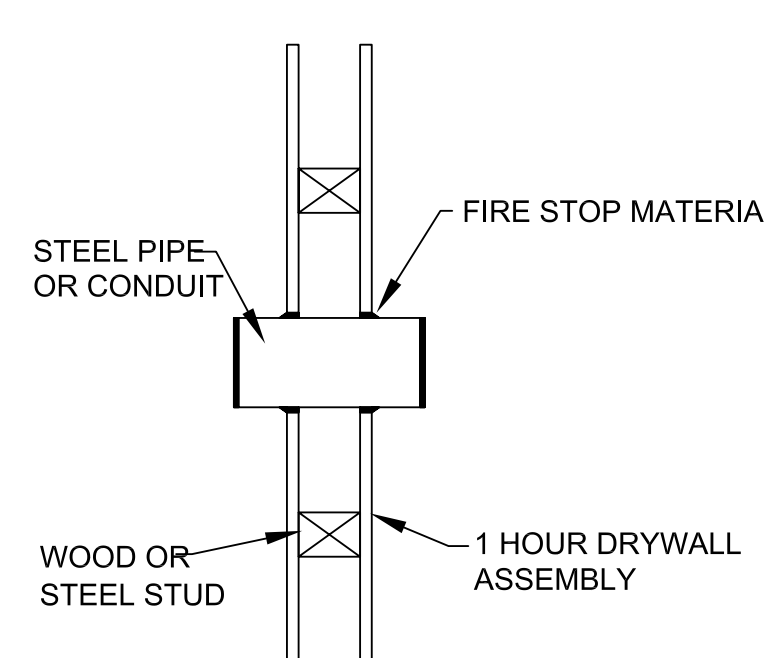


2 MDF/IDF ROOM GROUNDING
TC12.08 N.T.S.

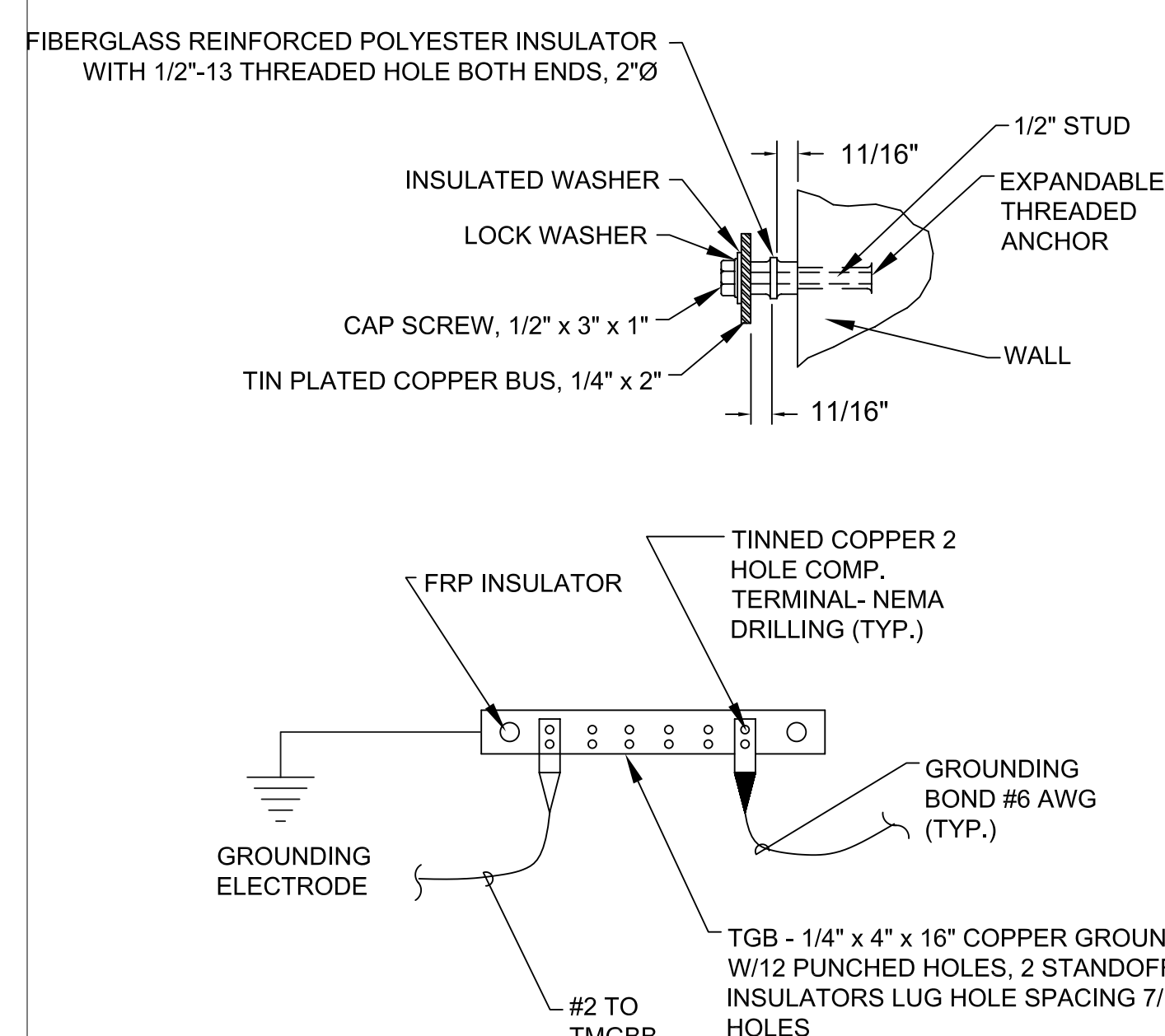


- NOTES:
1. CLEAN CORE DRILL, ONE SIZE LARGER THAN SLEEVE SIZE.
 2. PACK VOID BETWEEN SLEEVE AND WOOD FLOOR WITH NON-SHRINK, WATER TIGHT, FIRE-RATED GROUT.
 3. EXTEND SLEEVE 4" ABOVE AND BELOW FLOOR AND SUPPORT WITH PIPE CLAMP ON THE TOP OR OTHER APPROVED MEANS.
 4. ALL FLOORS MIN. 2 HOUR FIRESTOP RATING.

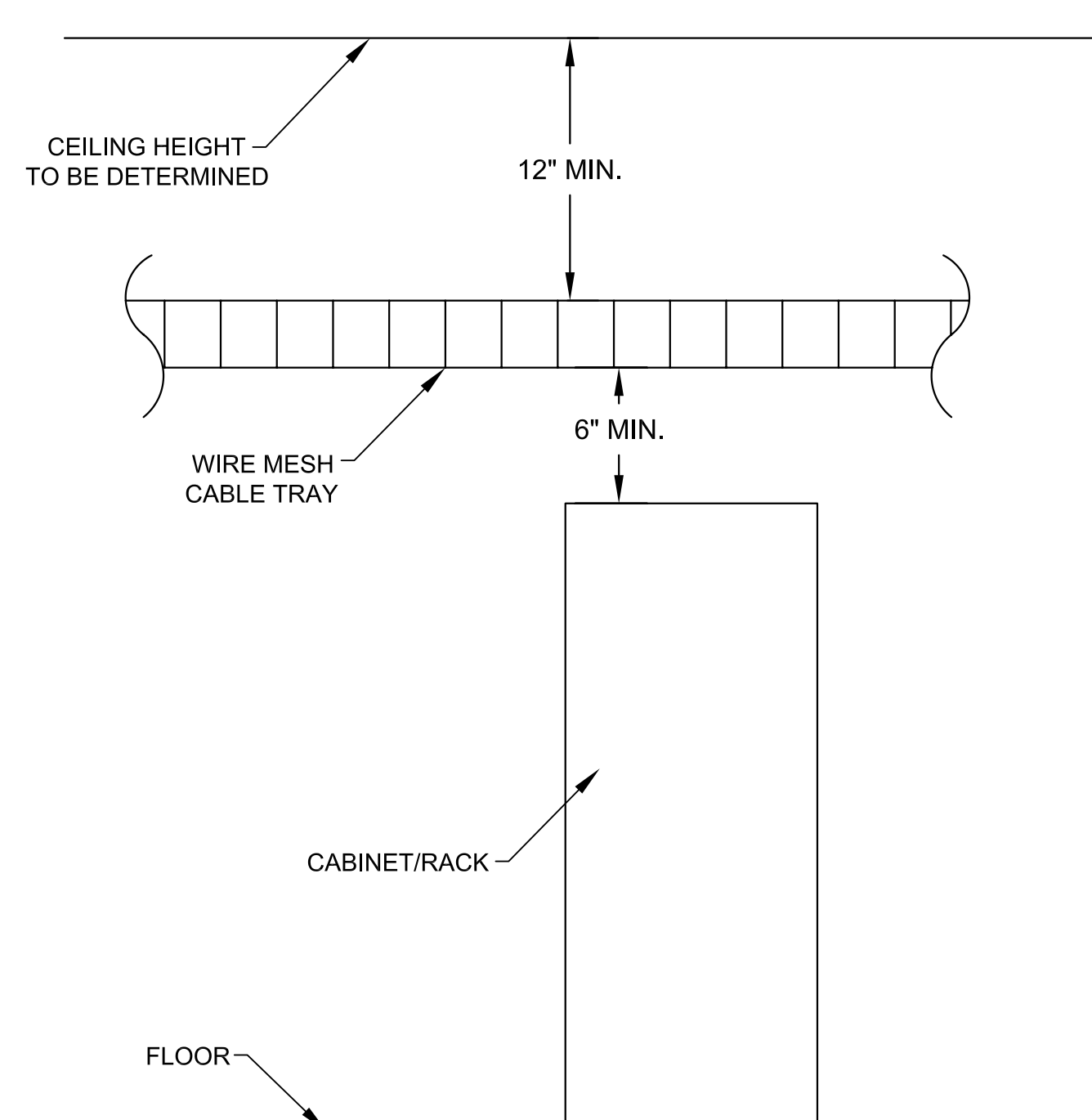
5 FIRE STOP - CONDUIT THROUGH FLOOR
TC12.08 N.T.S.



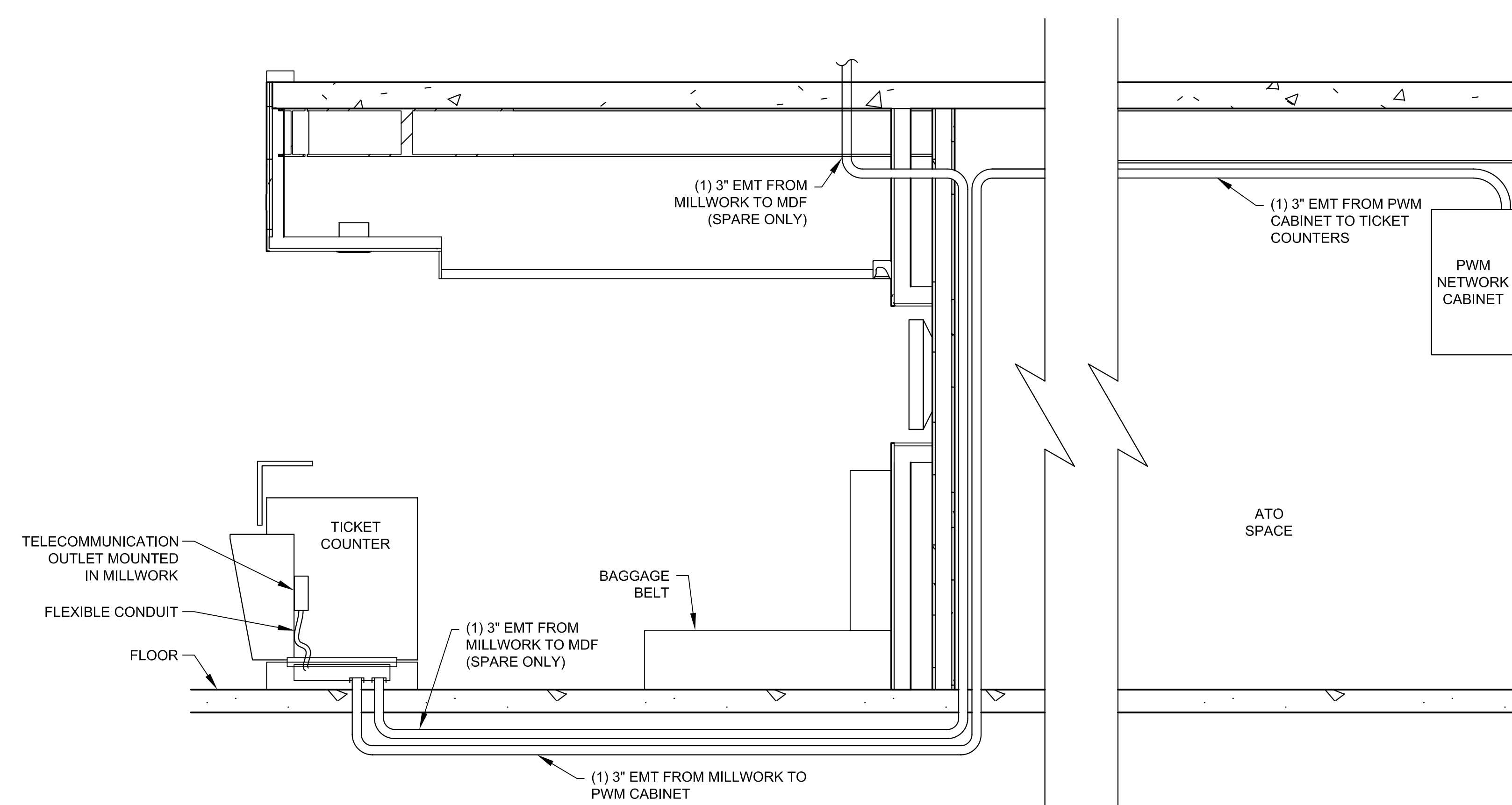
6 FIRE STOP - CONDUIT THROUGH GYPSUM WALL
TC12.08 N.T.S.



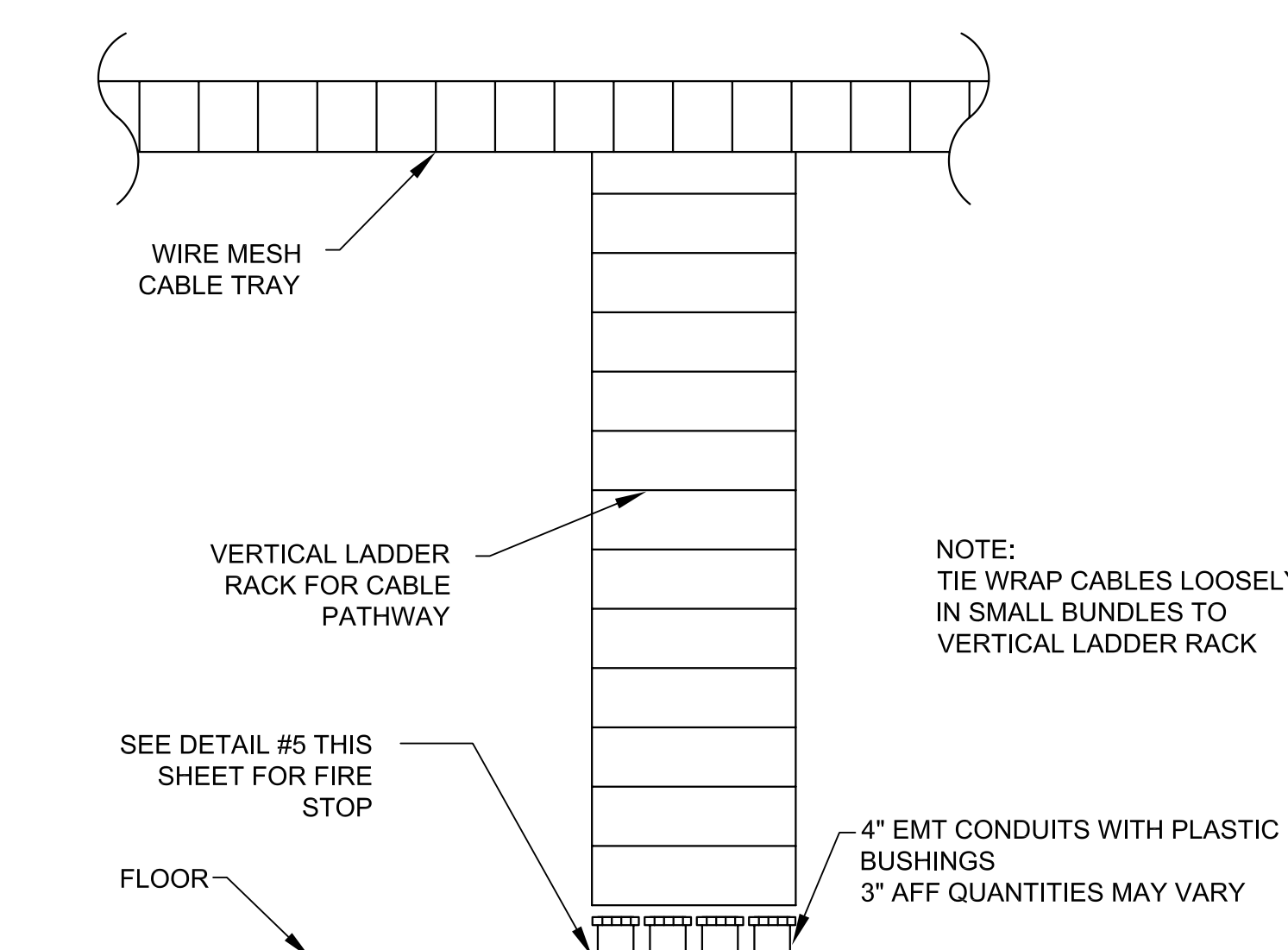
3 TGB GROUND BAR DETAIL
TC12.08 N.T.S.



9 NEW MDF/IDF ROOM HEIGHT CLEARANCES
TC12.08 N.T.S.

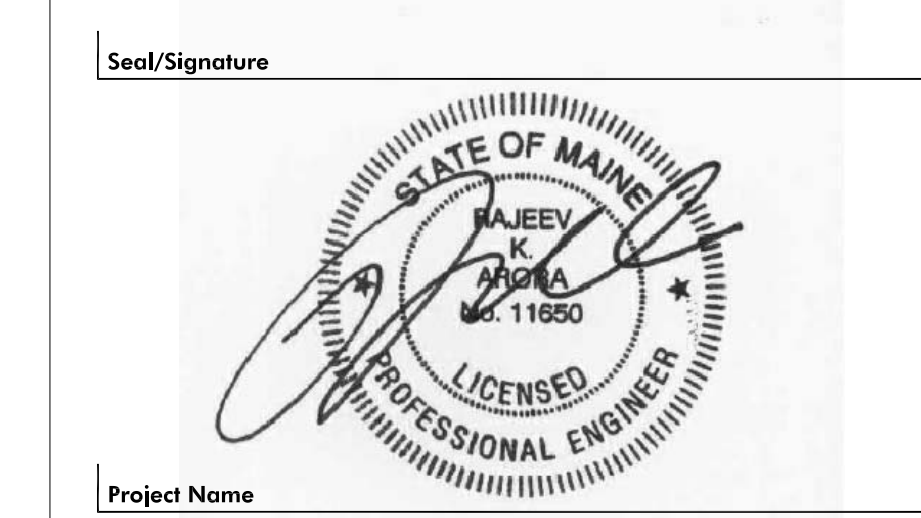


8 TICKET COUNTER CONDUIT RUN SECTION - LEVEL 2
TC12.08 N.T.S.



10 MDF/IDF CONDUIT FLOOR ENTRANCE PATHWAY
TC12.08 N.T.S.

Issue	Date & Issue Description	By	Check
	10/26/09		
	100% ISSUED FOR PERMIT		



Project Name
PJM TERMINAL EXPANSION

Project Number

CAD File Name
TC12.08

Description
TELECOMMUNICATIONS
INSTALLATION DETAILS

Scale
As Indicated