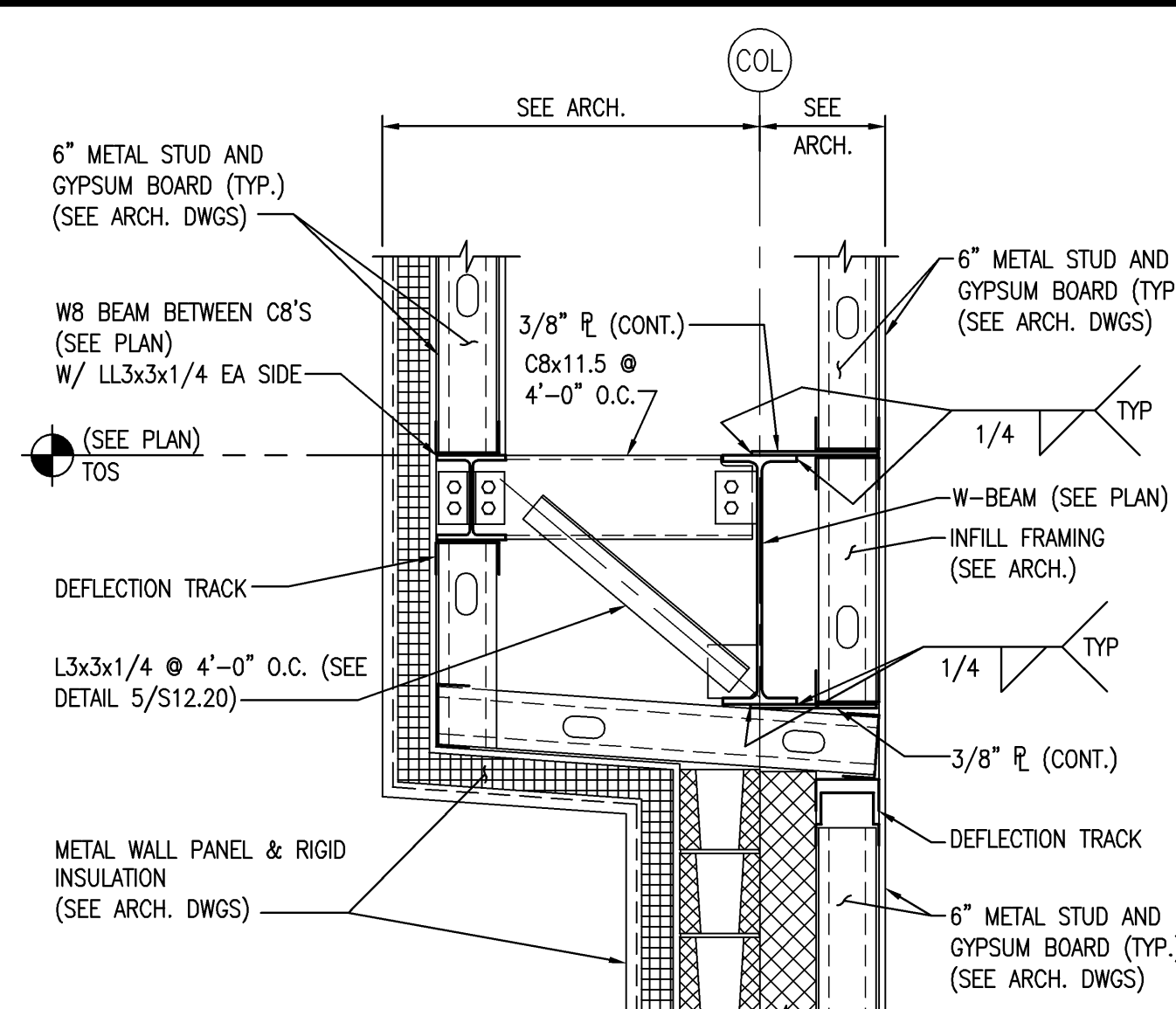
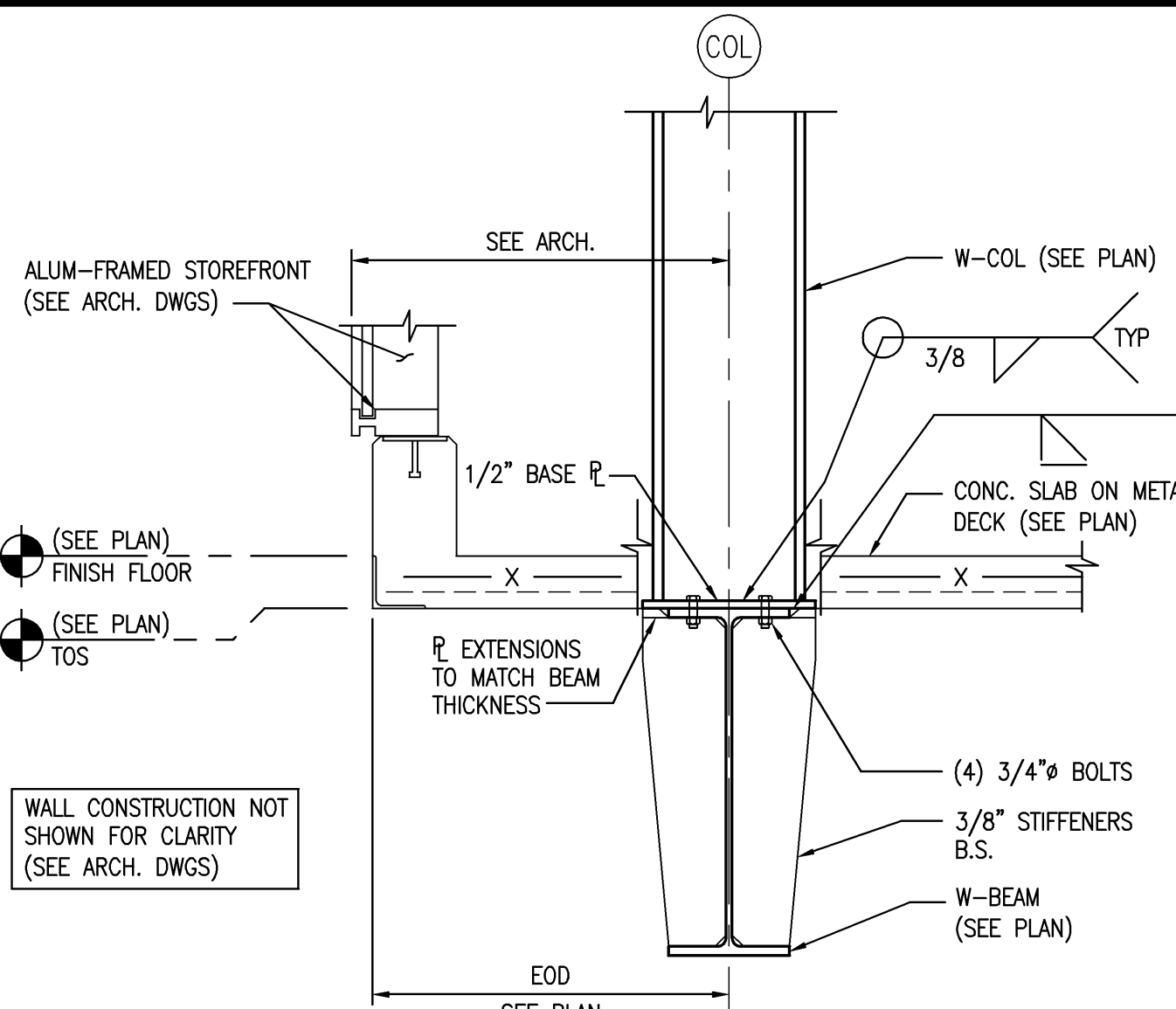


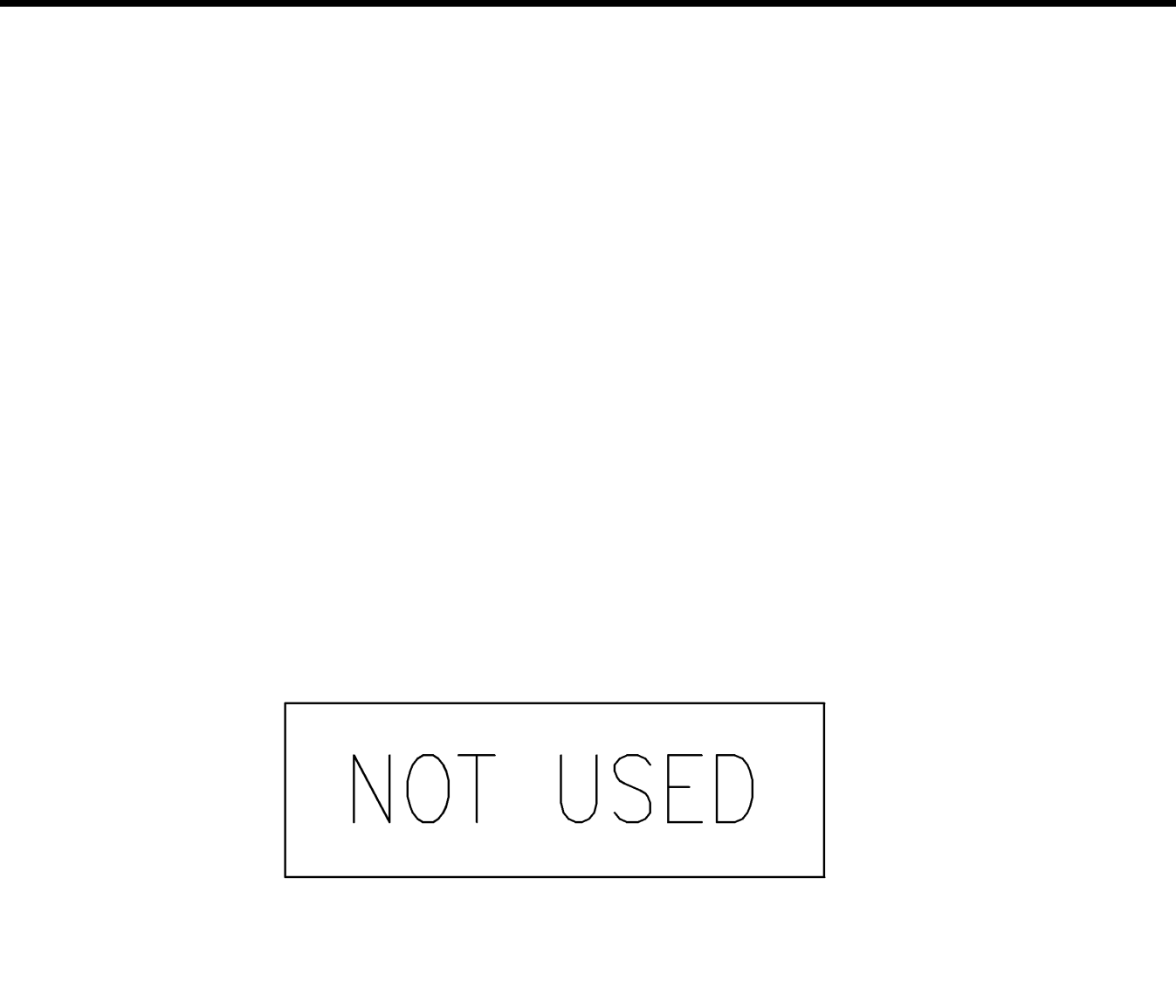
SECTION 21
SCALE: 3/4" = 1'-0"
S08.01



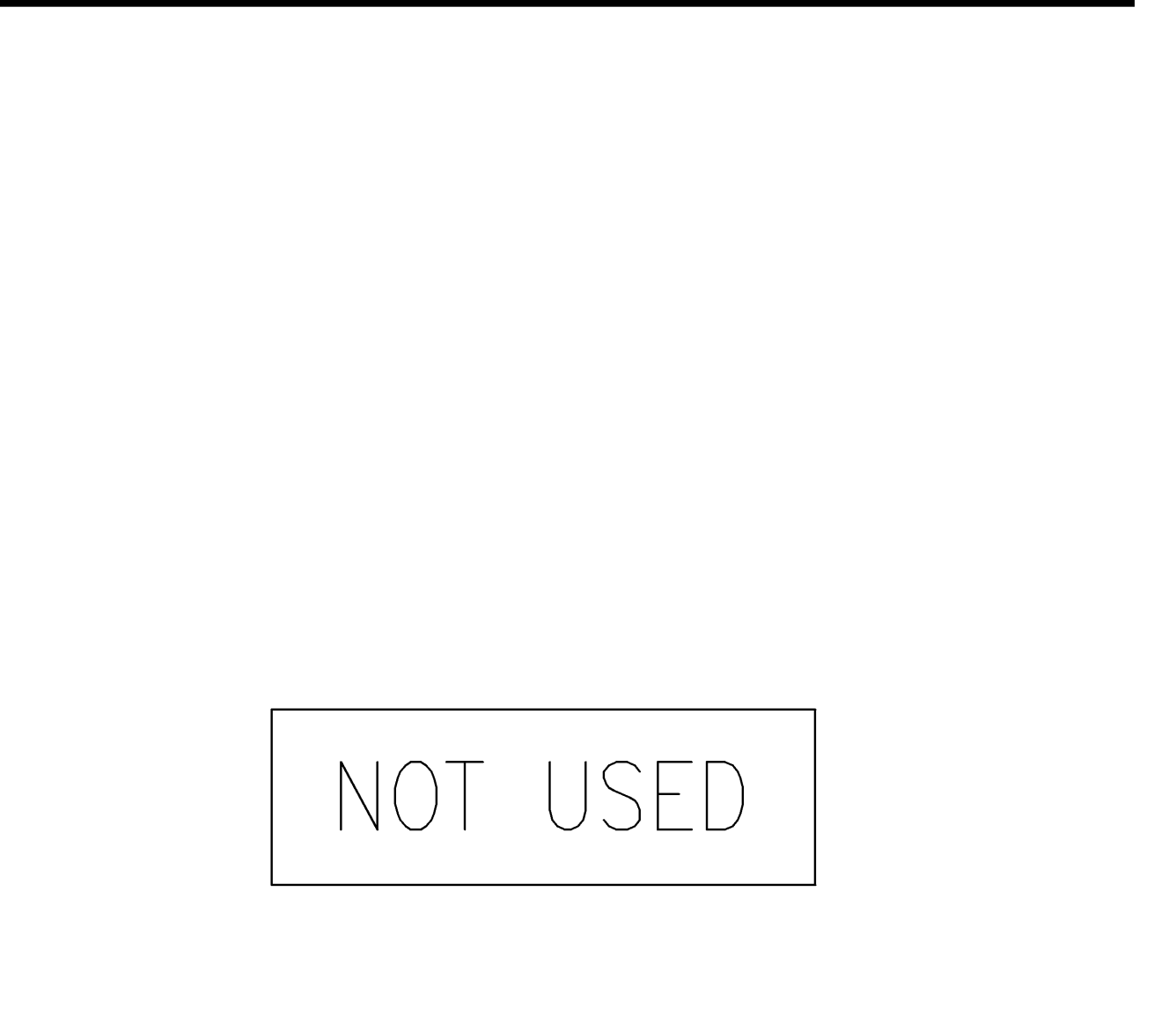
SECTION 16
SCALE: 3/4" = 1'-0"
S08.01



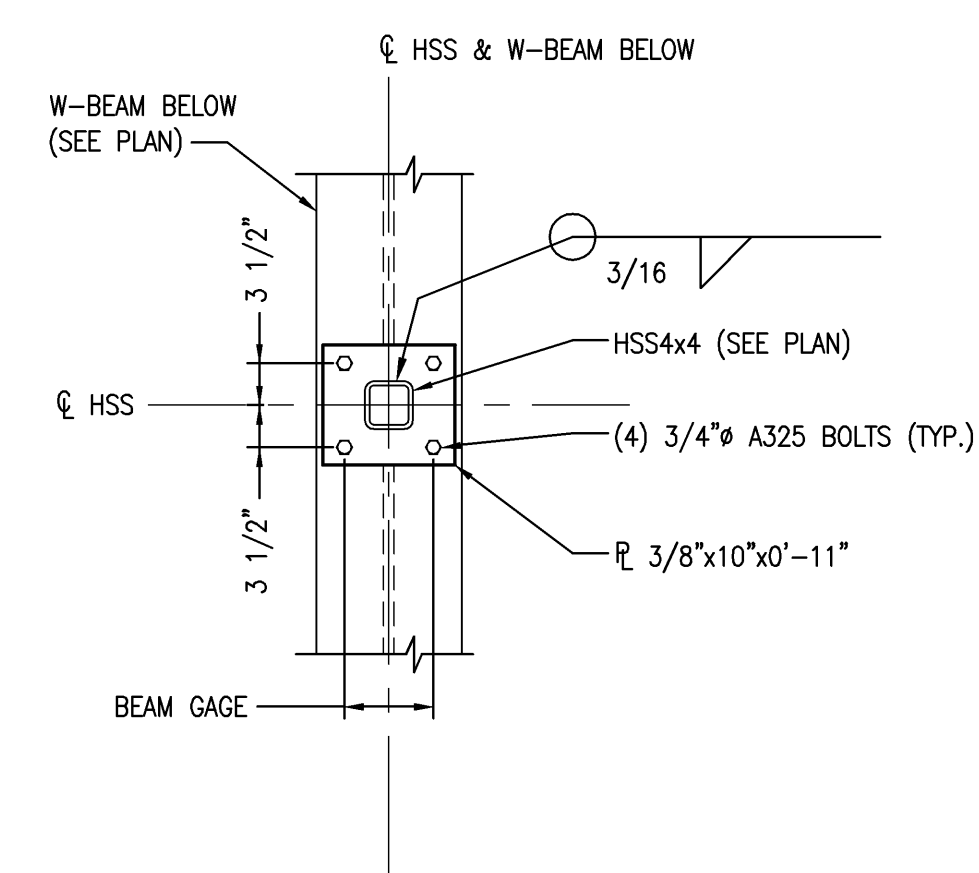
SECTION 11
SCALE: 3/4" = 1'-0"
S02.04.04, S02.04.05, S02.04.06



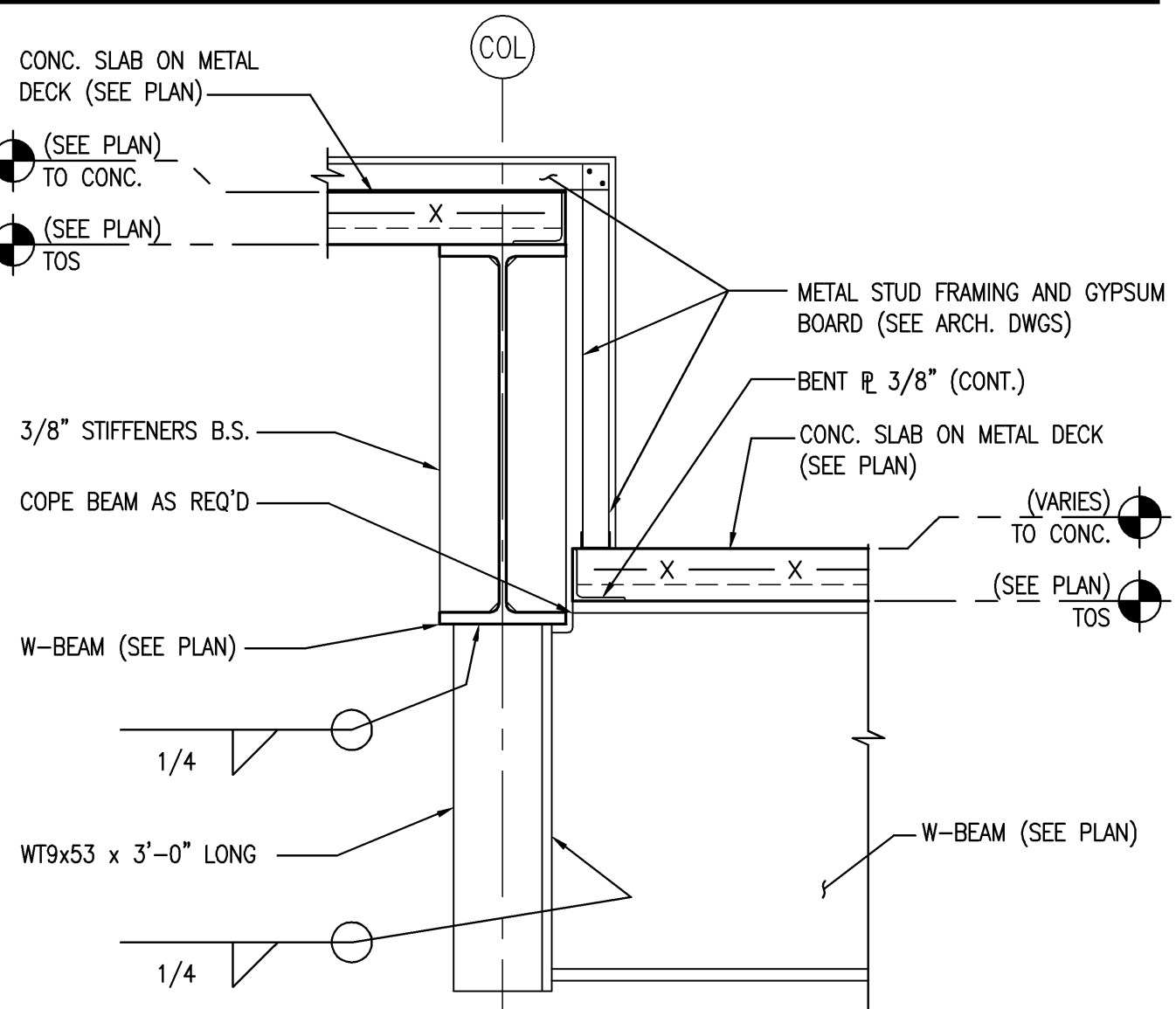
SECTION 6
SCALE: 3/4" = 1'-0"



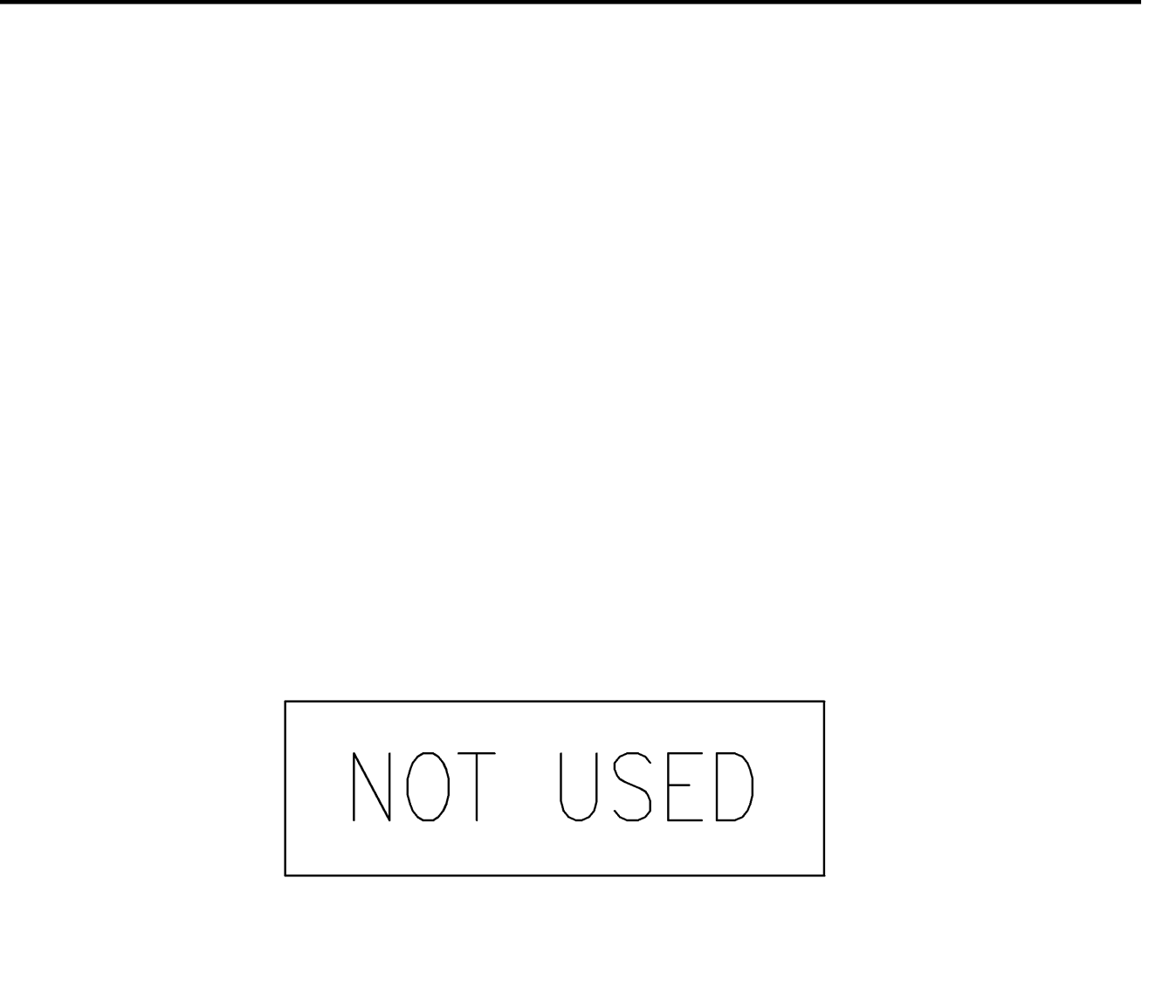
SECTION 1
SCALE: 3/4" = 1'-0"



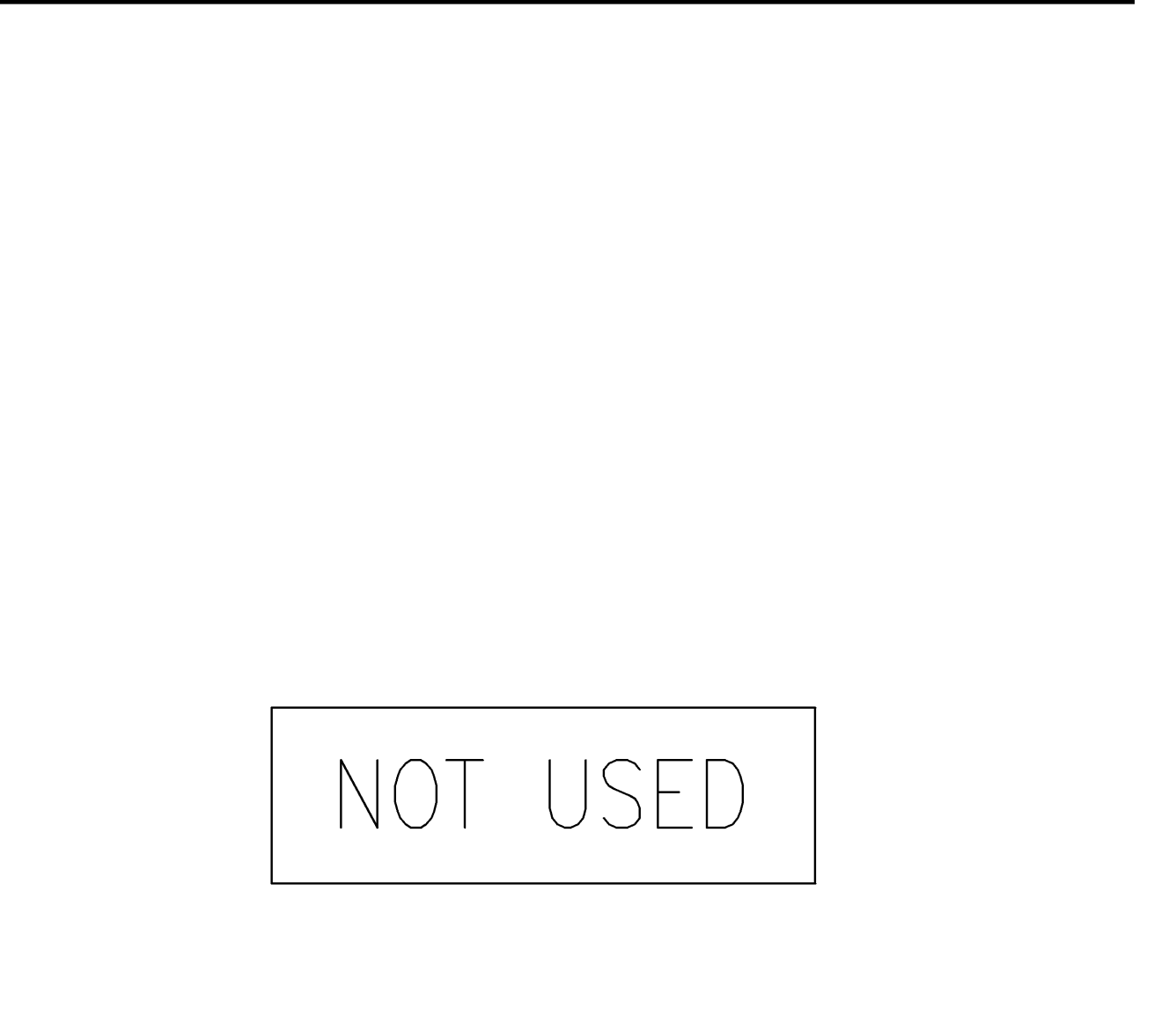
DETAIL 17
SCALE: 3/4" = 1'-0"
S08.01



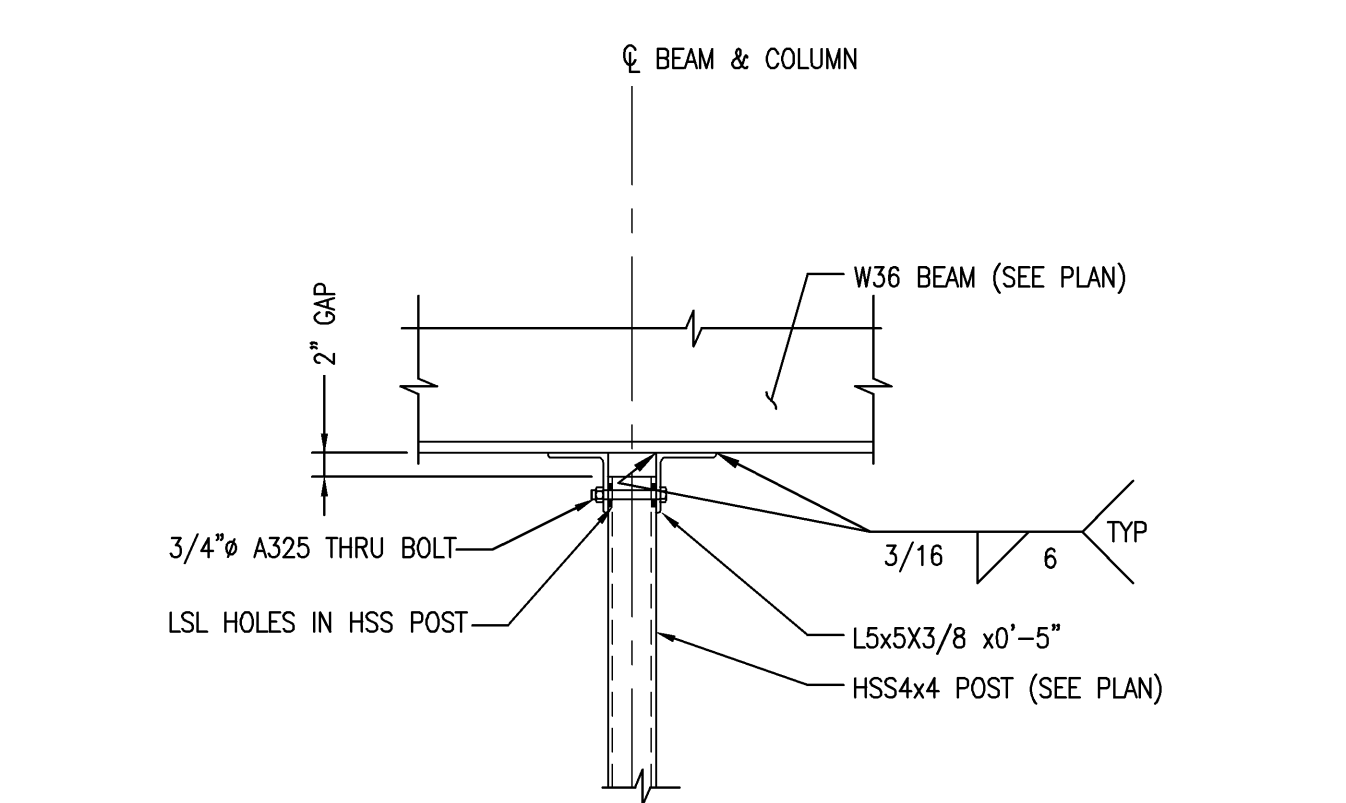
SECTION 12
SCALE: 3/4" = 1'-0"
S02.04.04



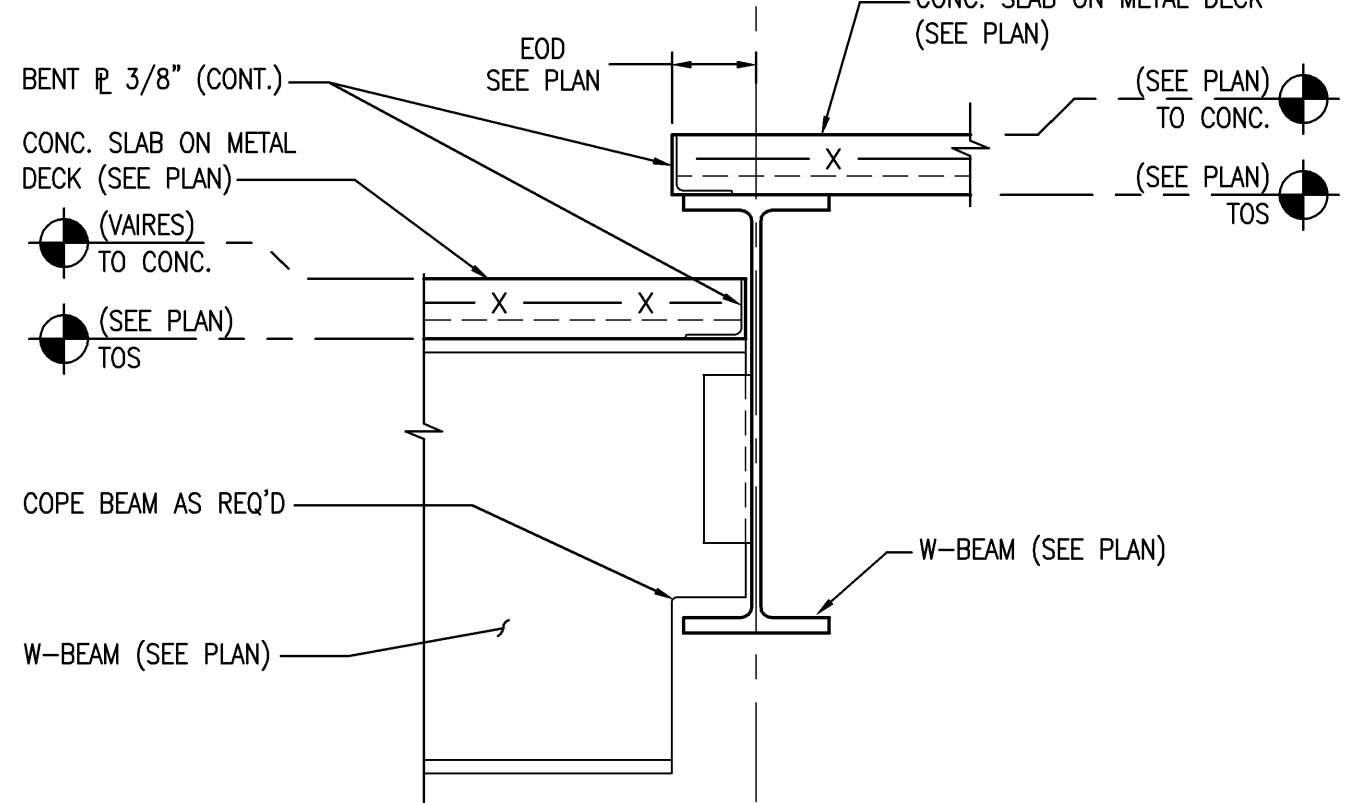
SECTION 7
SCALE: 3/4" = 1'-0"



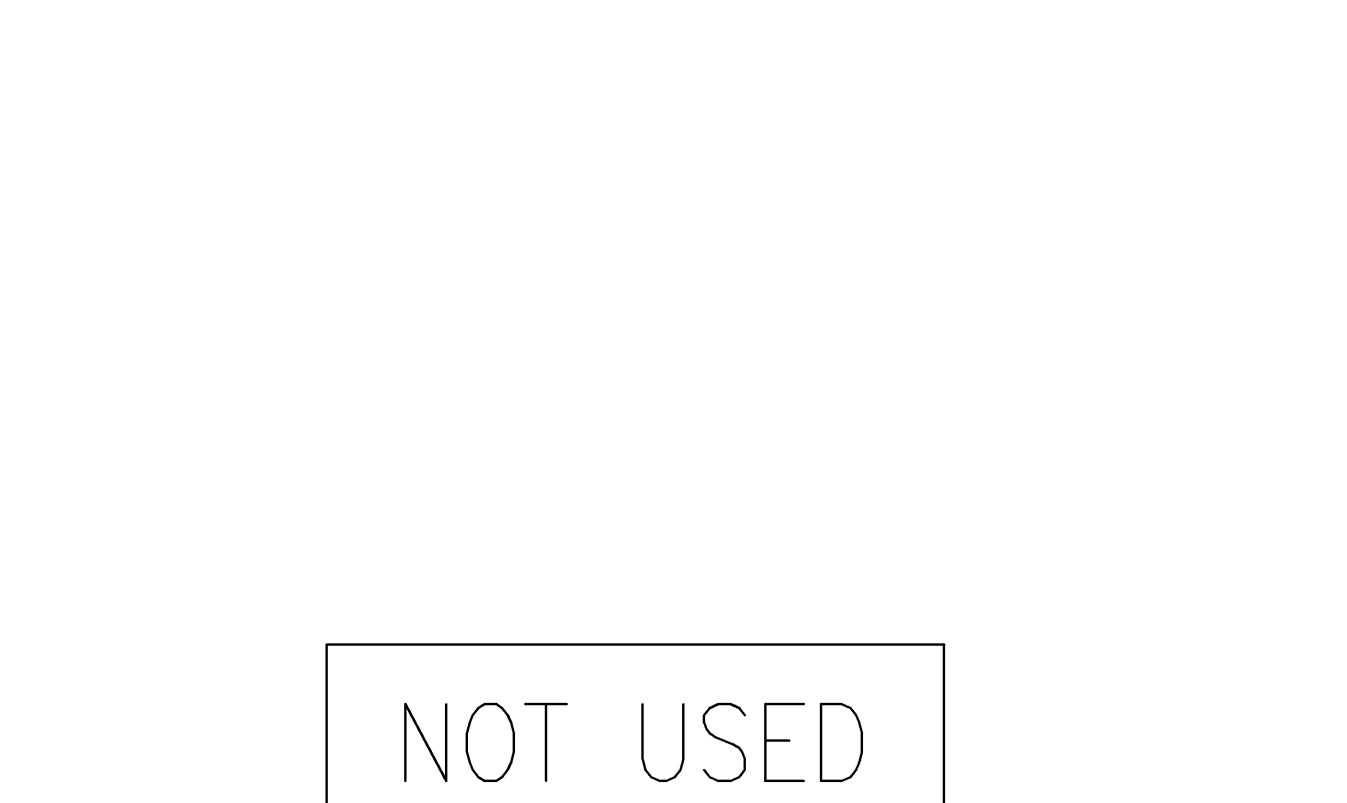
SECTION 2
SCALE: 3/4" = 1'-0"



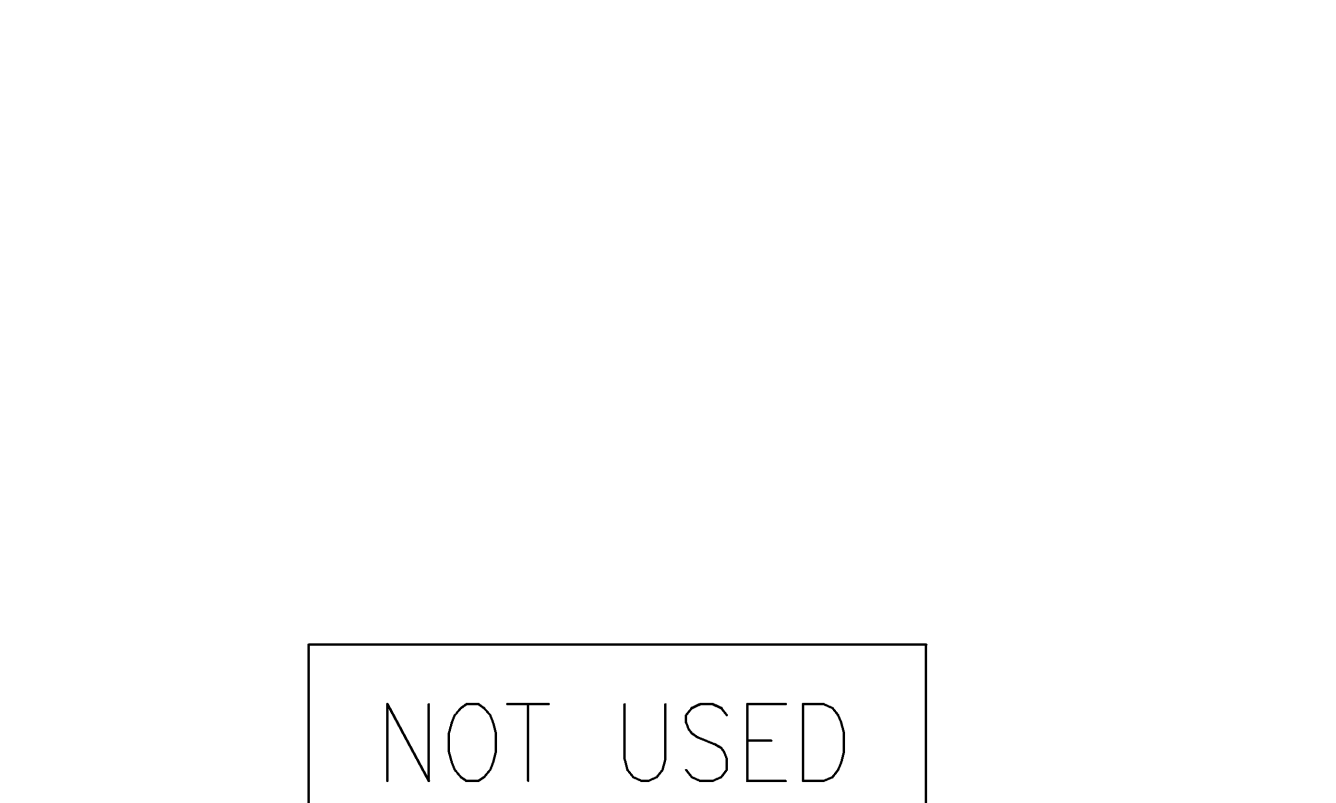
SECTION 18
SCALE: 3/4" = 1'-0"
S08.01



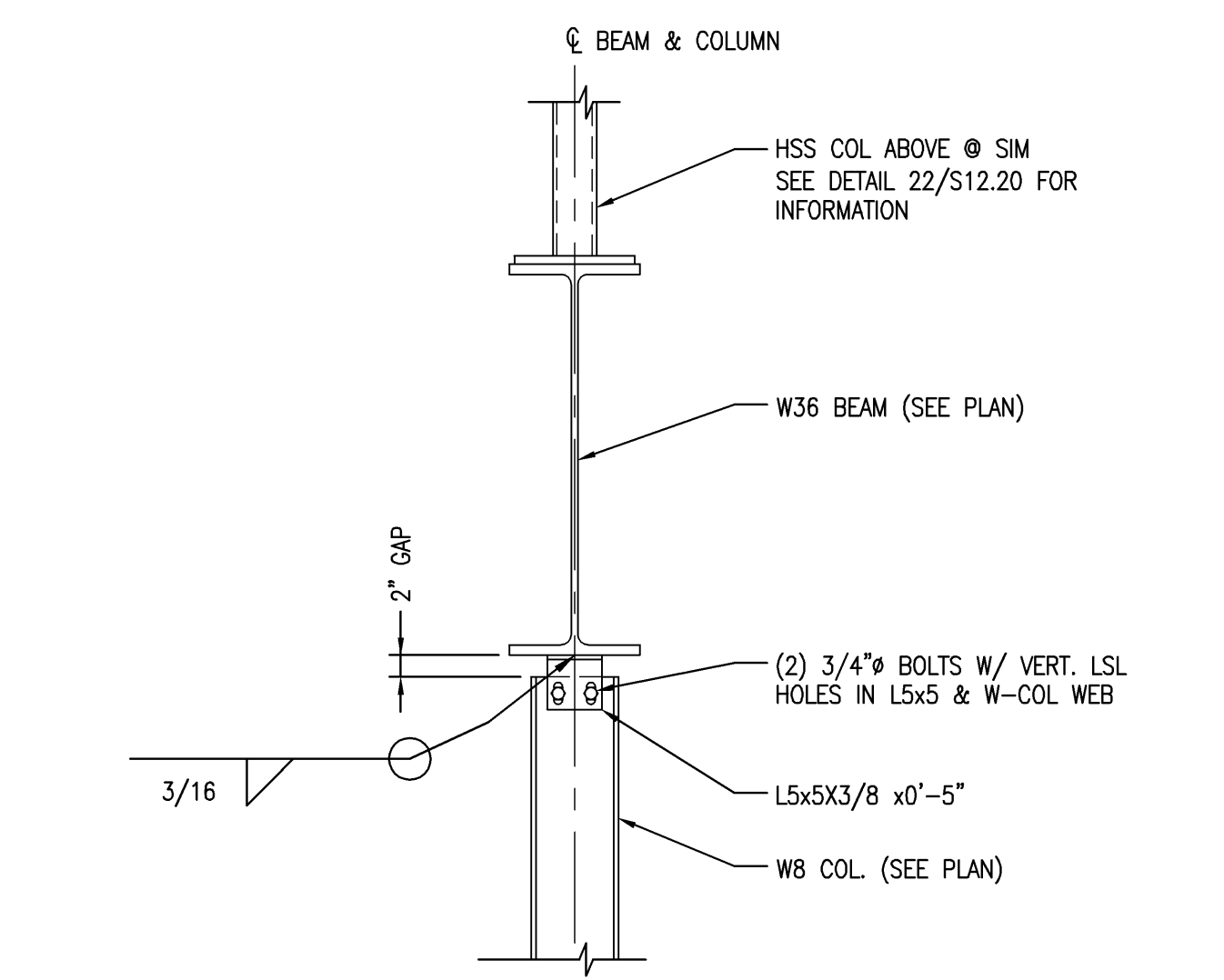
SECTION 13
SCALE: 3/4" = 1'-0"
S02.04.05



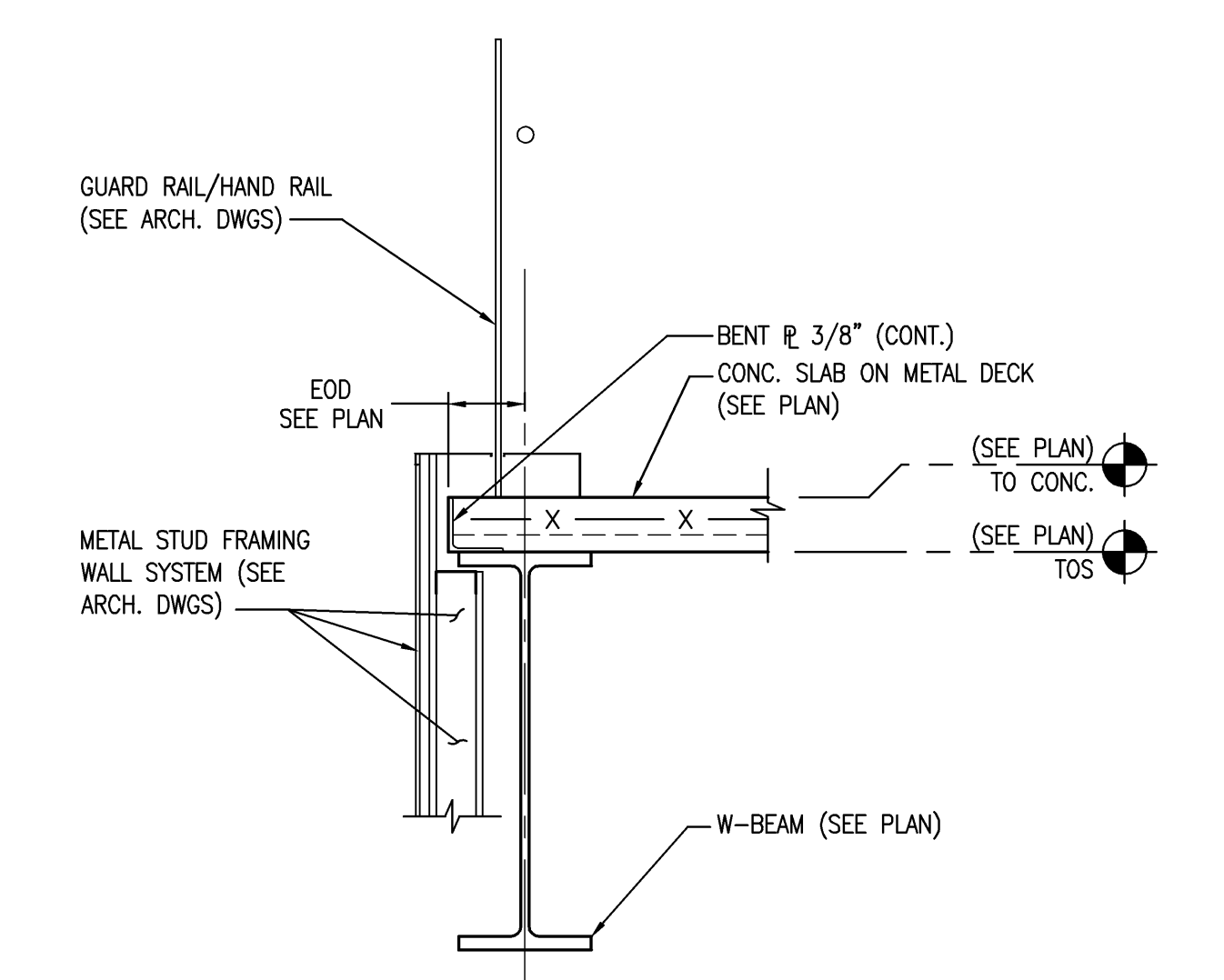
SECTION 8
SCALE: 3/4" = 1'-0"



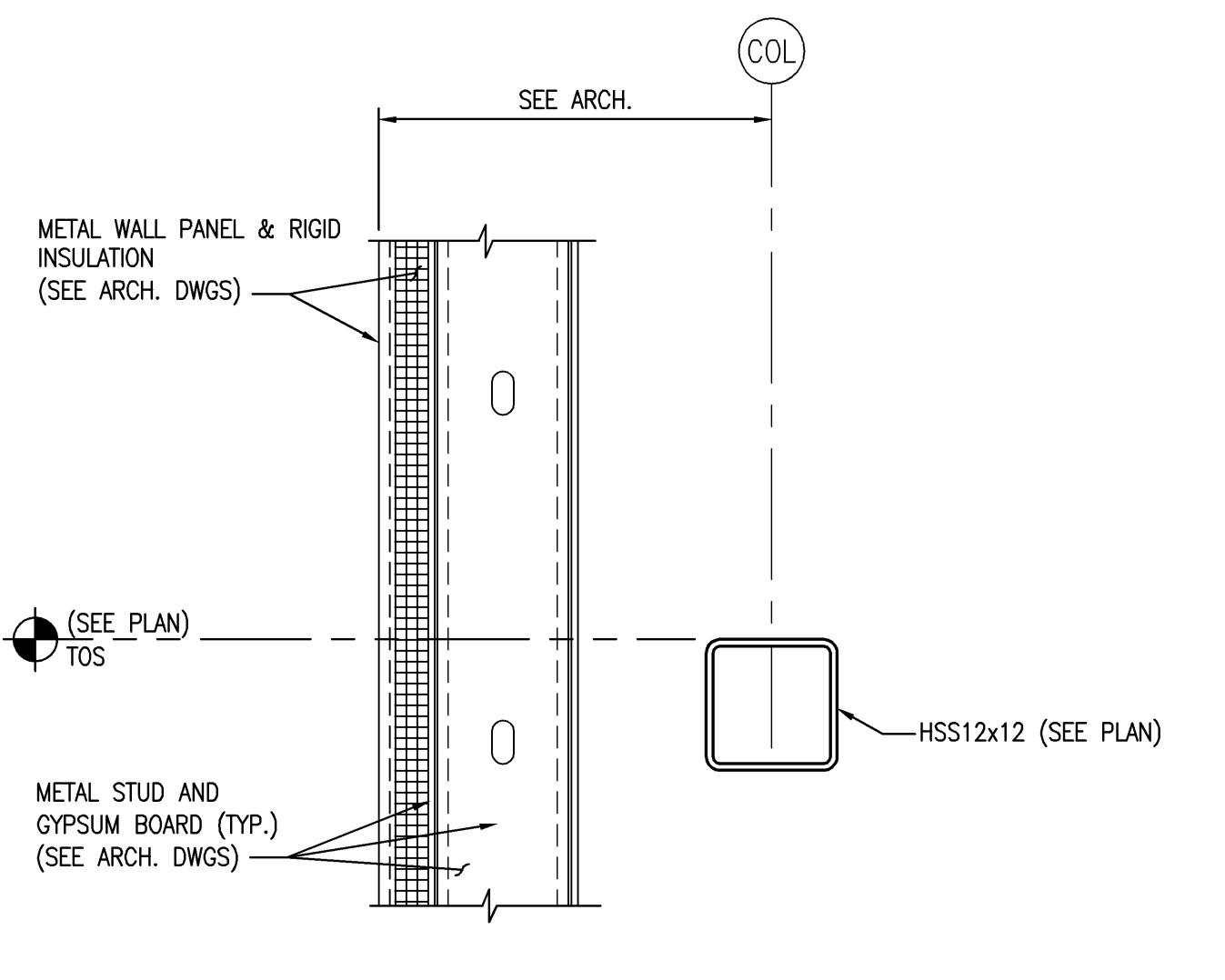
SECTION 3
SCALE: 1-1/2" = 1'-0"



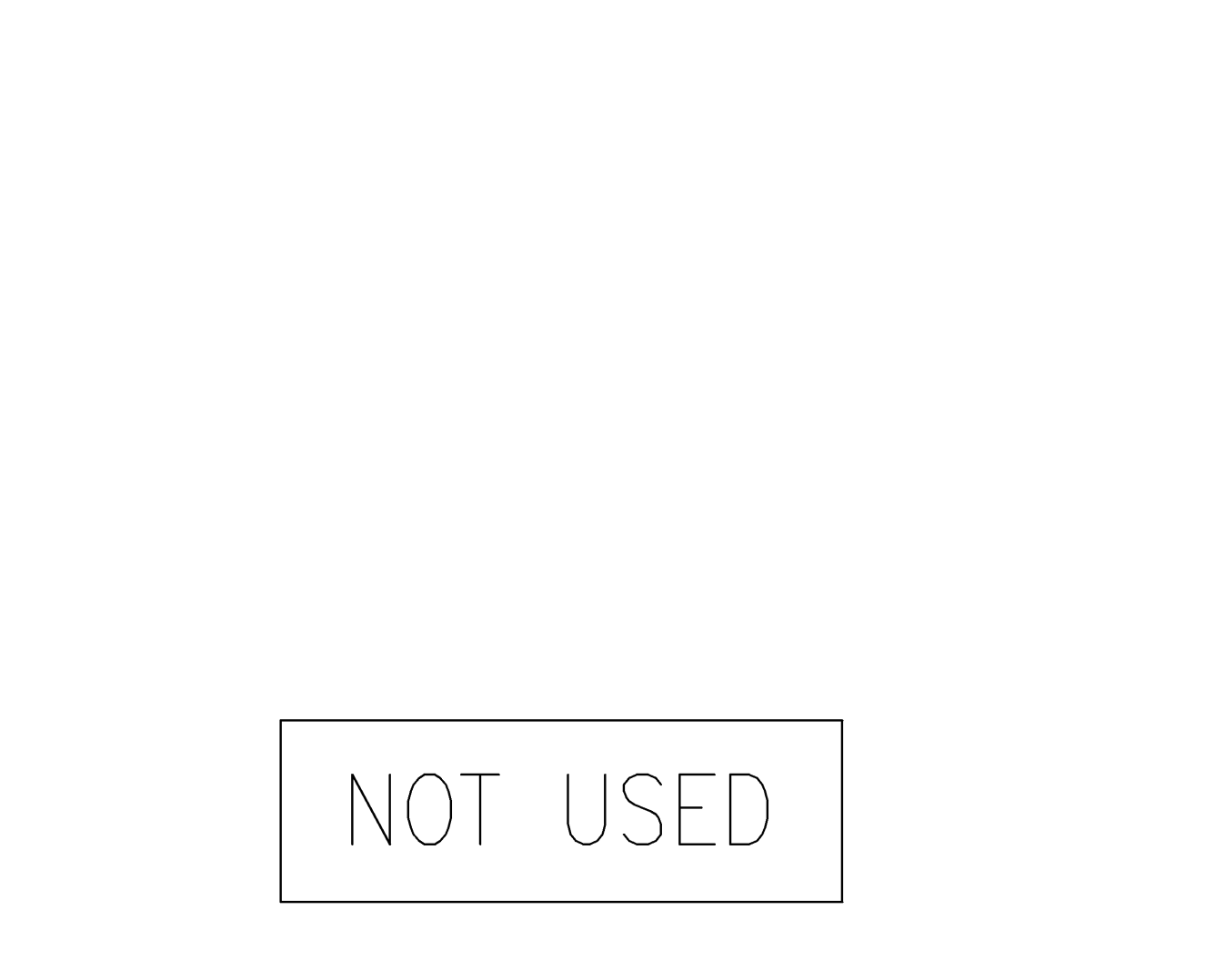
SECTION 19
SCALE: 3/4" = 1'-0"
S08.01



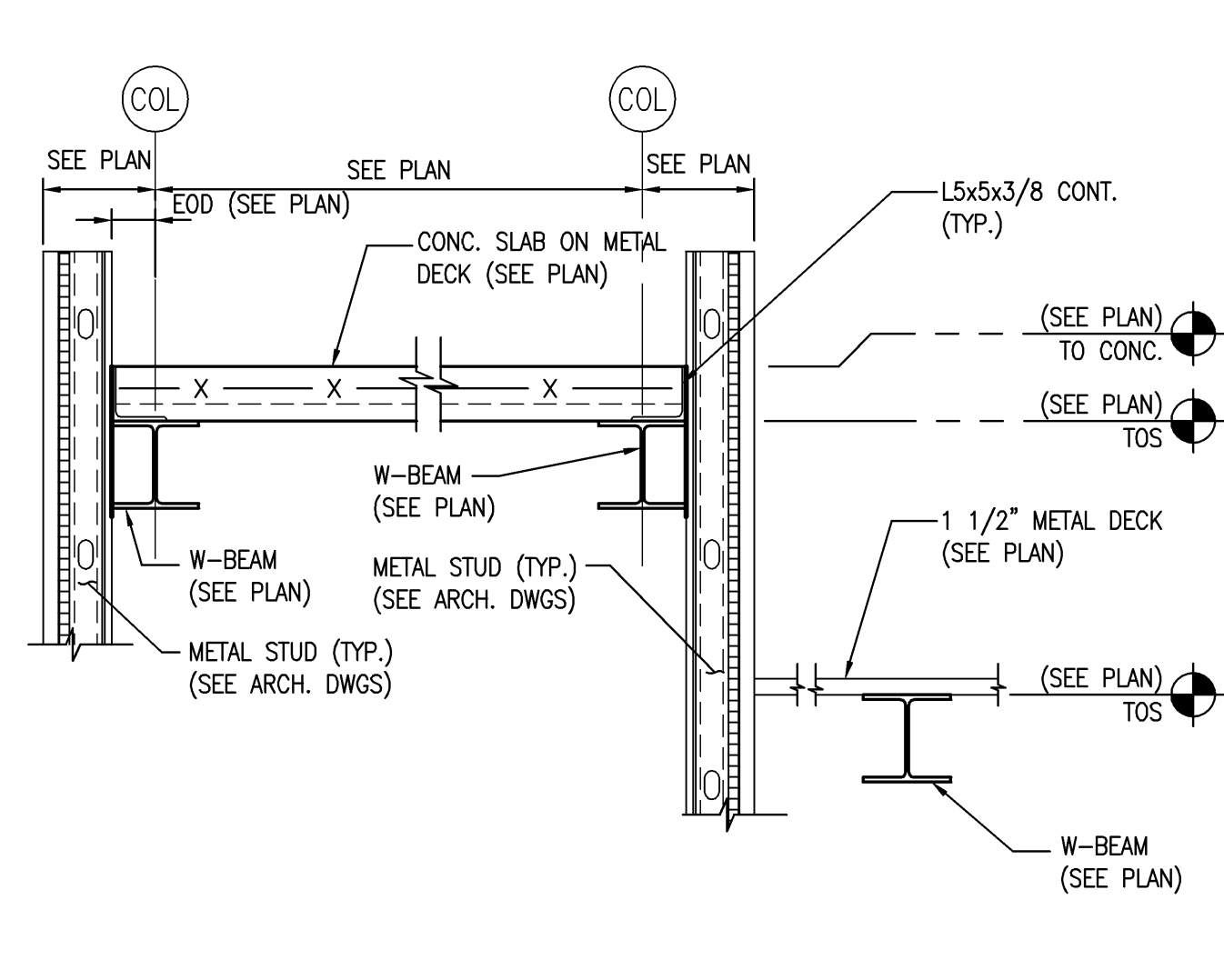
SECTION 14
SCALE: 3/4" = 1'-0"
S02.04.05



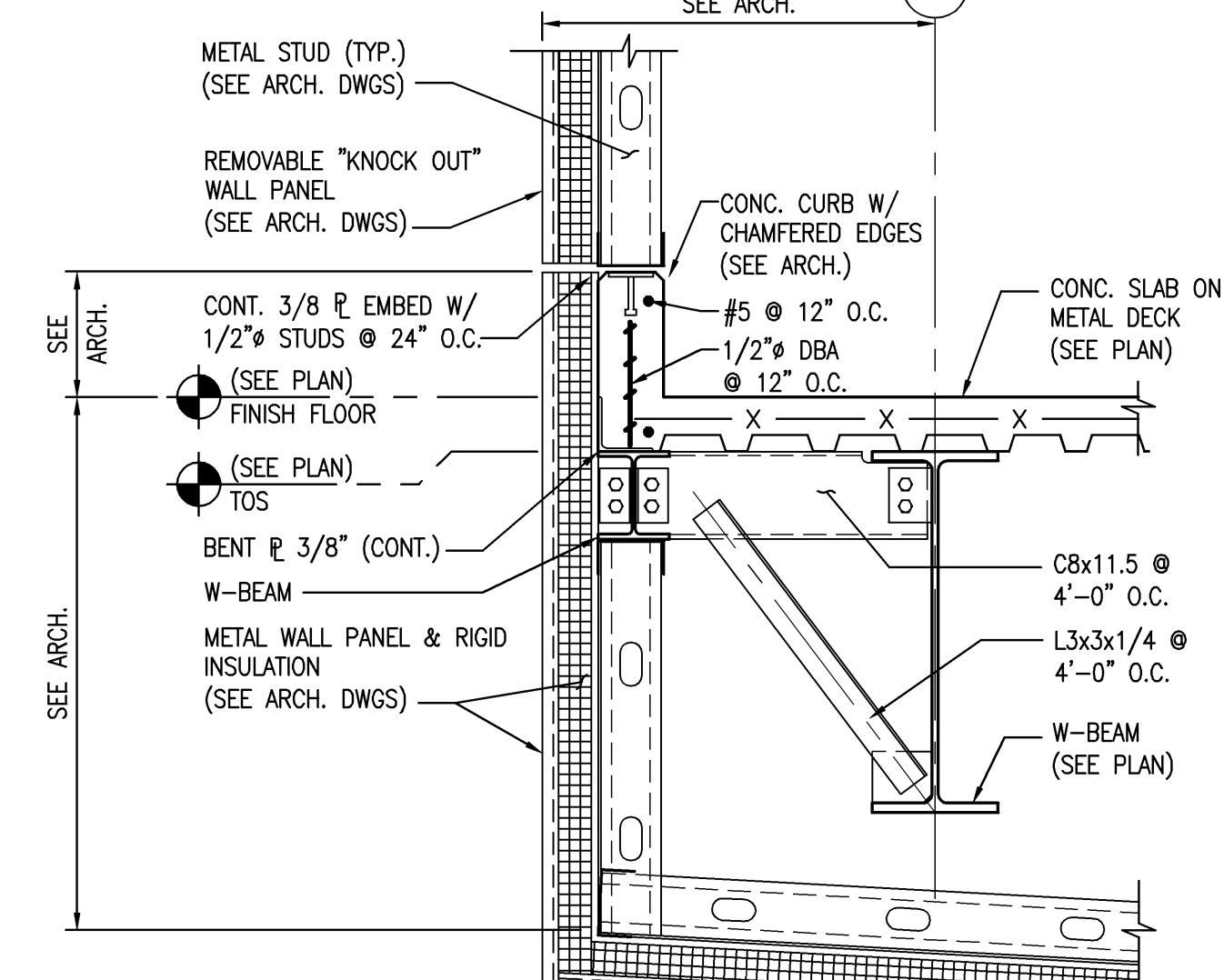
SECTION 9
SCALE: 3/4" = 1'-0"
S02.04.05



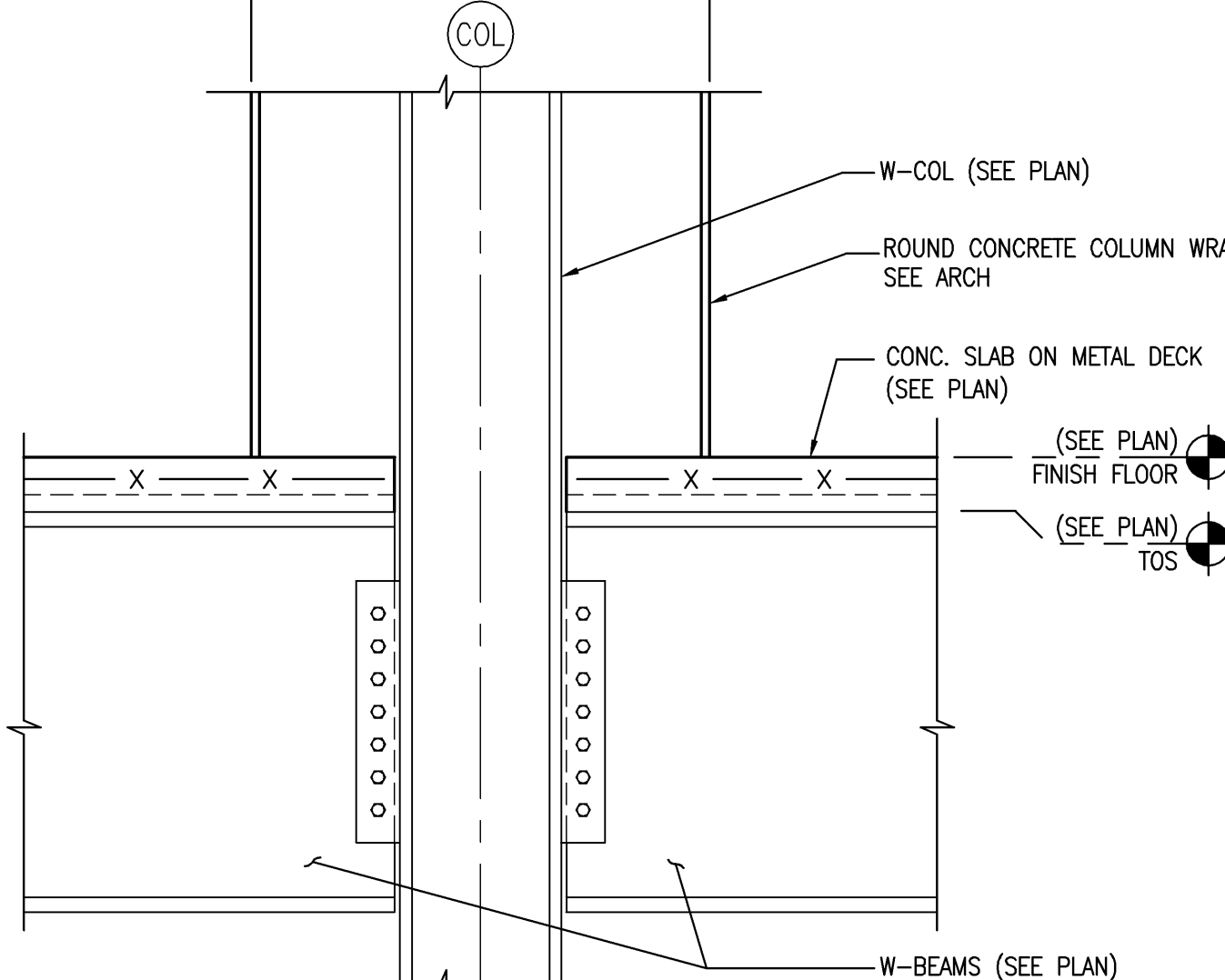
SECTION 4
SCALE: 1-1/2" = 1'-0"



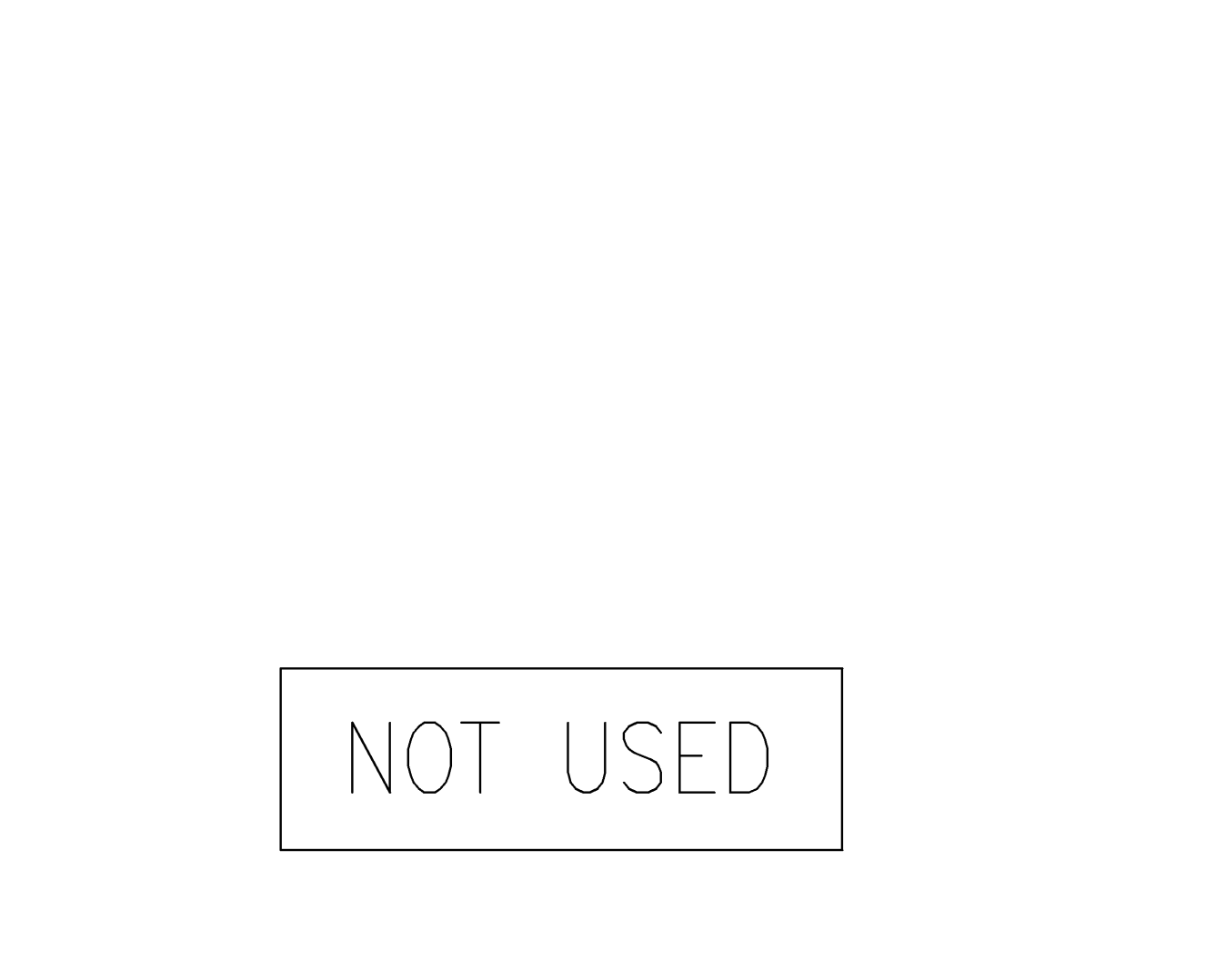
SECTION 20
SCALE: 3/4" = 1'-0"
S02.04.04, S02.04.05



SECTION 15
SCALE: 3/4" = 1'-0"
S02.04.06



SECTION 10
SCALE: 3/4" = 1'-0"
S02.04.05



SECTION 5
SCALE: 1-1/2" = 1'-0"

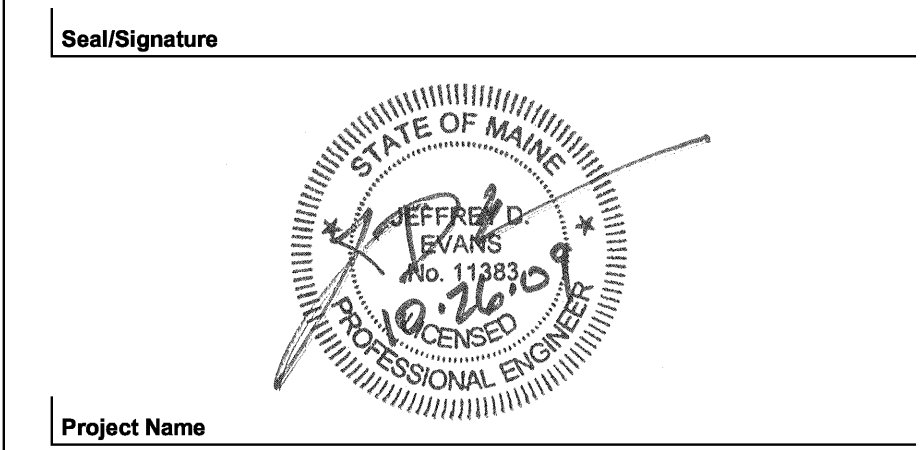
Portland International Jetport
1001 Westbrook Street
Portland, Maine 04102

Gensler

oest ASSOCIATES, INC.
343 Gopher Road, South Portland, ME 04106
engineers • architects • surveyors • construction managers

2020 K Street, NW
Suite 200
Washington, DC 20006
Telephone 202.771.5200
Facsimile 202.872.8587

Issue	Date & Issue Description	By	Check
-- 01	01/23/09	JOE	--
-- 02	10/26/09	JOE	--



Project Name
PJM Terminal Enhancement

Project Number
09.6395.000

CAD File Name
T:\5330101\SHEETS\S12.32.DWG

Description
FRAMING SECTIONS & DETAILS - LEVEL 4

Scale
AS NOTED

S12.32

©2009 Gensler