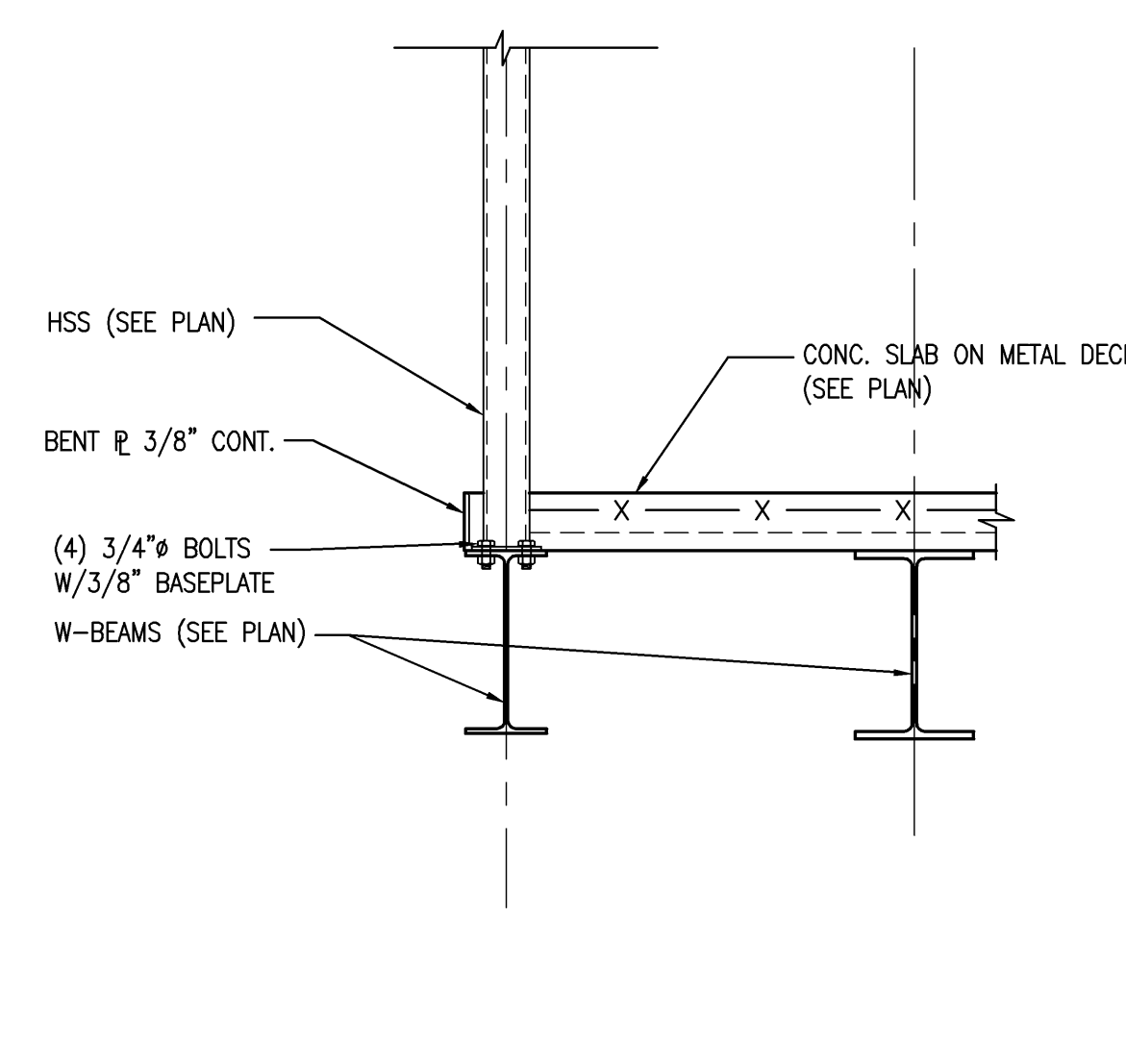
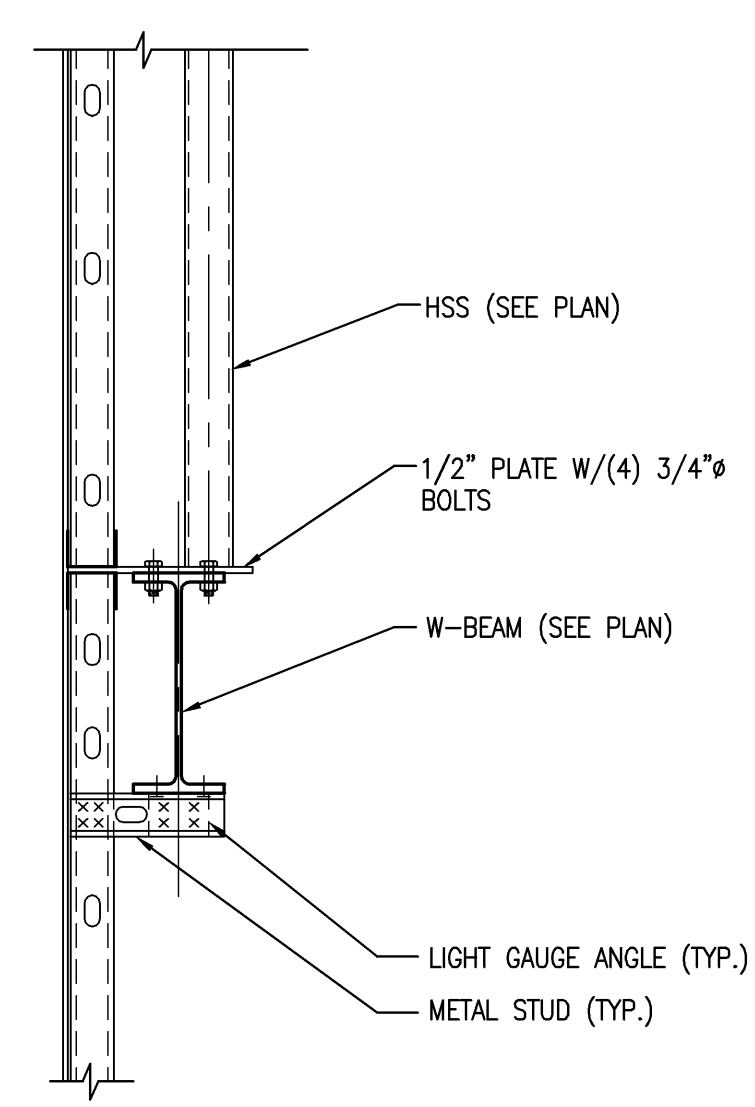


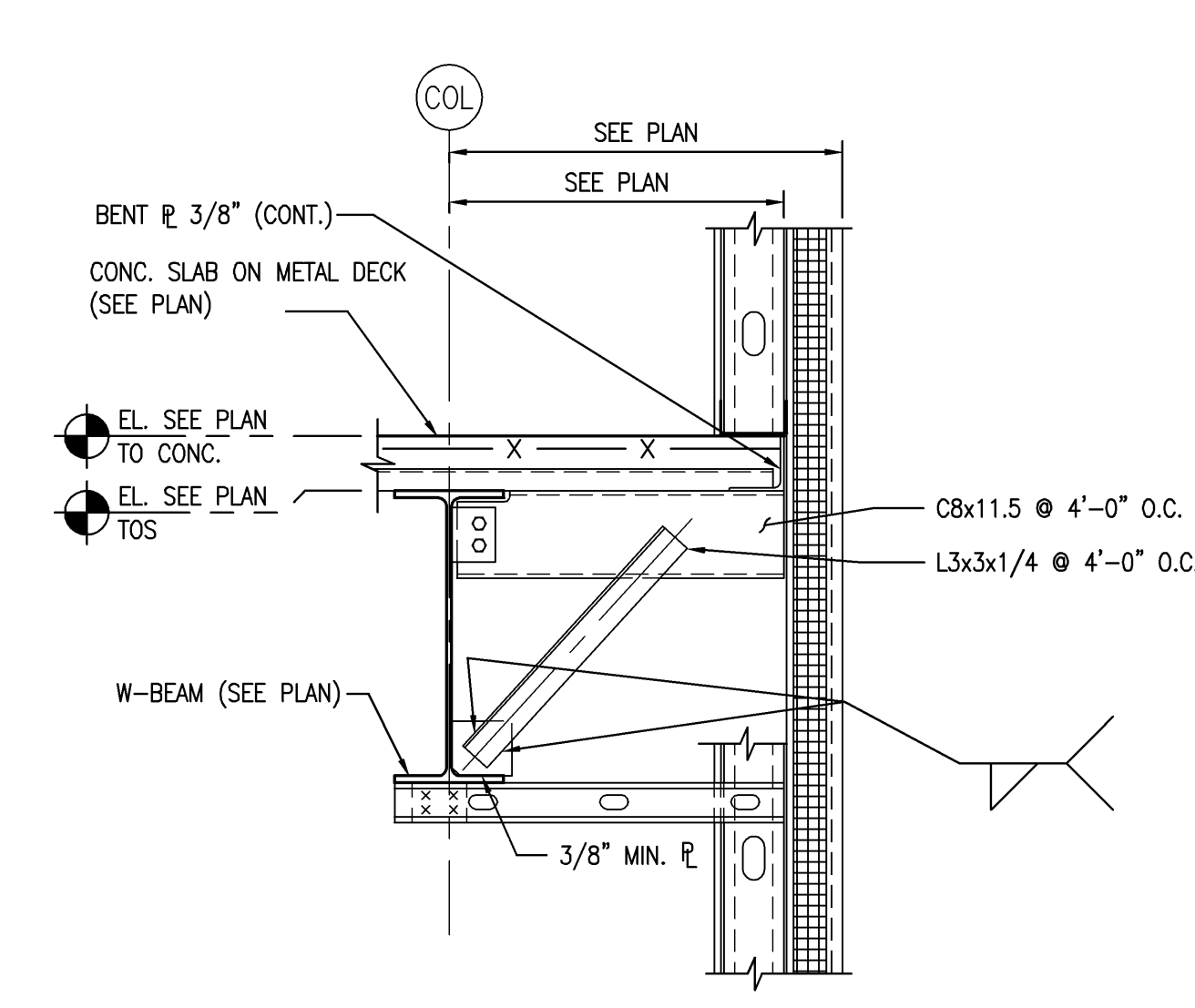
SECTION
SCALE: 3/4" = 1'-0"

11
S02.04.05



SECTION
SCALE: 3/4" = 1'-0"

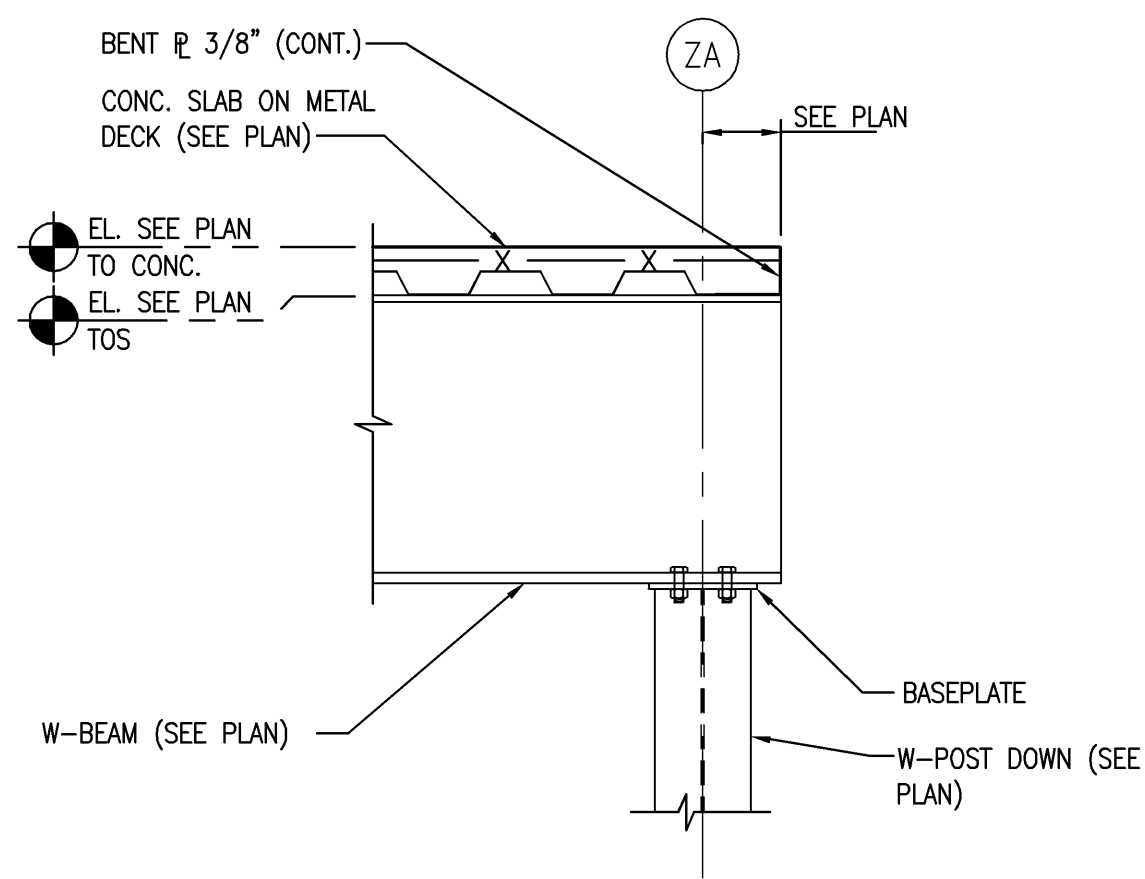
6
S12.31



SECTION
SCALE: 3/4" = 1'-0"

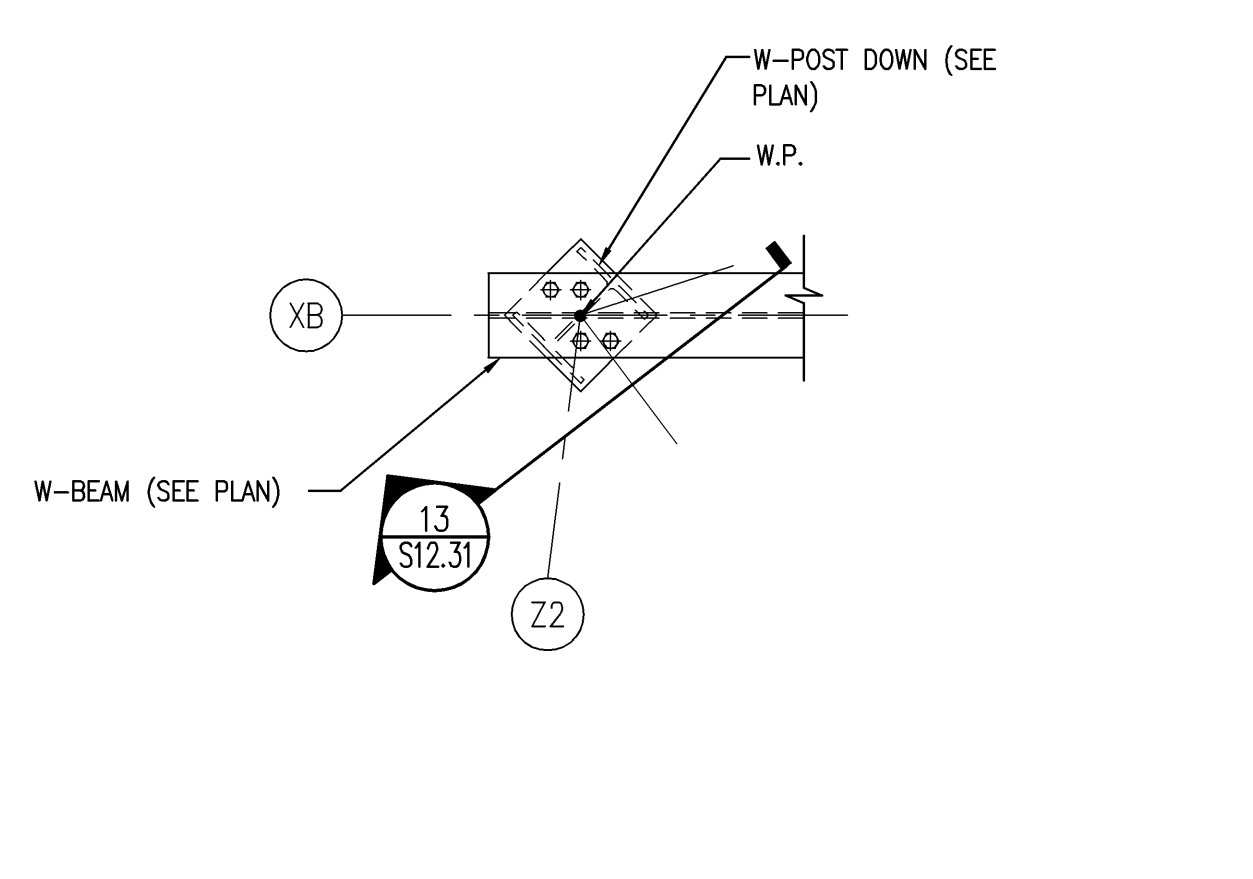
1
S02.04.06

NOT USED



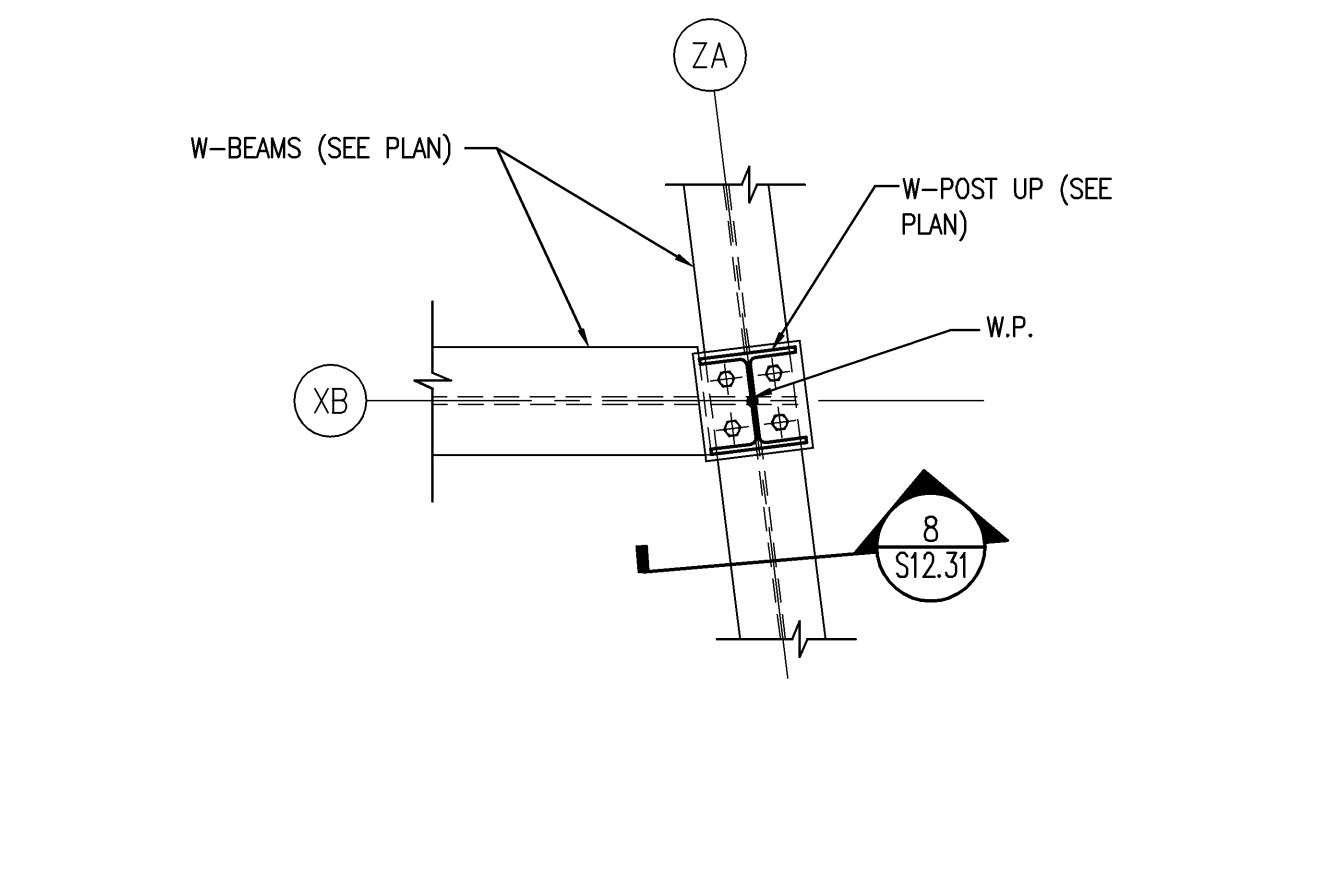
SECTION
SCALE: 3/4" = 1'-0"

20



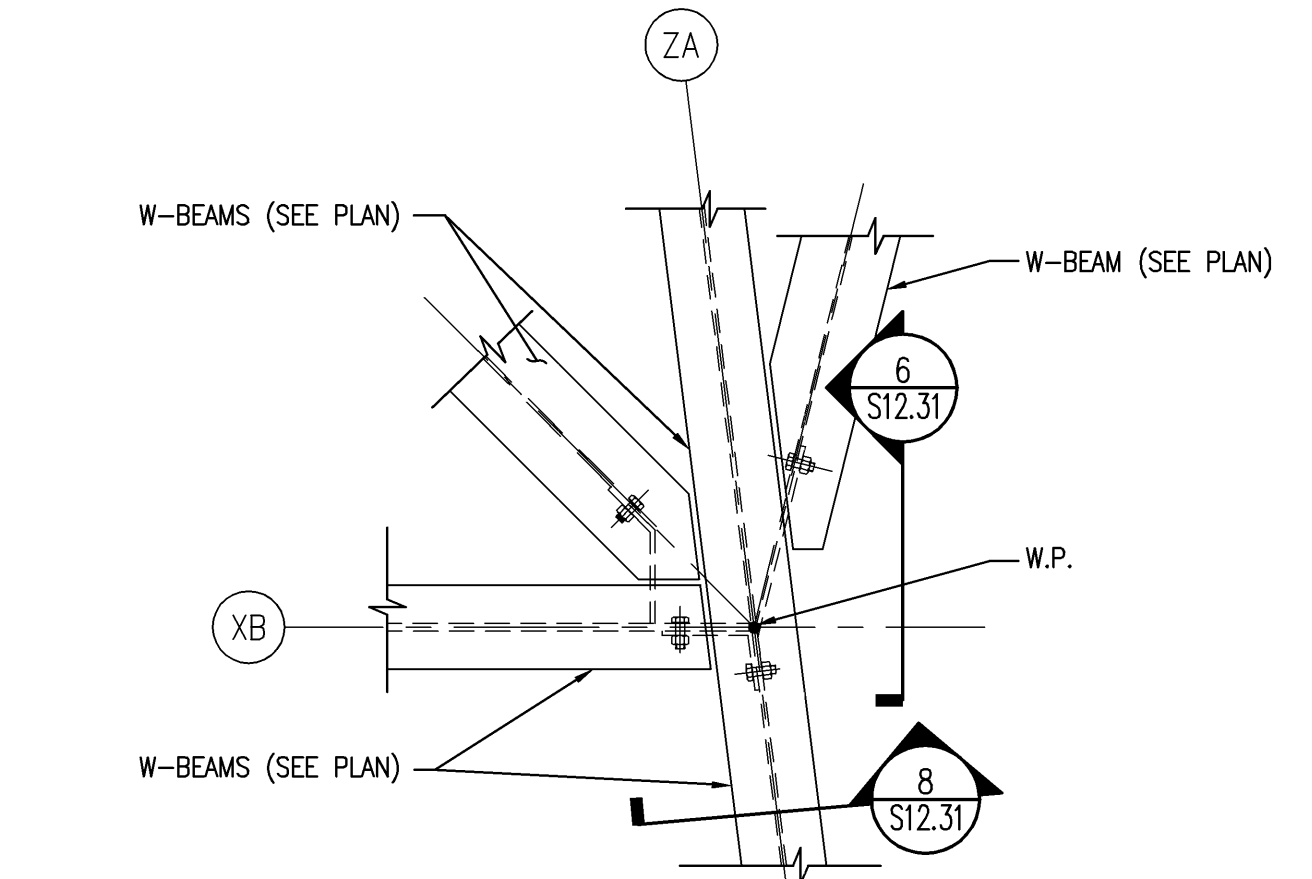
DETAIL
SCALE: 3/4" = 1'-0"

12



DETAIL
SCALE: 3/4" = 1'-0"

7



DETAIL
SCALE: 3/4" = 1'-0"

2
S02.04.06

NOT USED

NOT USED

SECTION
SCALE: 3/4" = 1'-0"

21

SECTION
SCALE: 3/4" = 1'-0"
S12.31

SECTION
SCALE: 3/4" = 1'-0"
S12.31

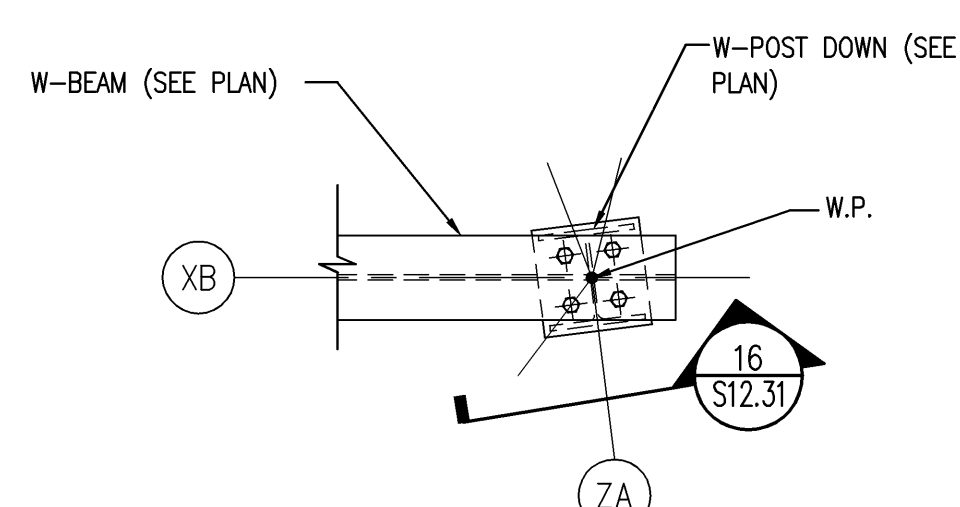
SECTION
SCALE: 3/4" = 1'-0"
S12.31

8

SECTION
SCALE: 3/4" = 1'-0"
S02.04.04, S02.04.05

3

NOT USED



SECTION
SCALE: 3/4" = 1'-0"

22

SECTION
SCALE: 3/4" = 1'-0"
S12.31

SECTION
SCALE: 3/4" = 1'-0"
S02.05.06

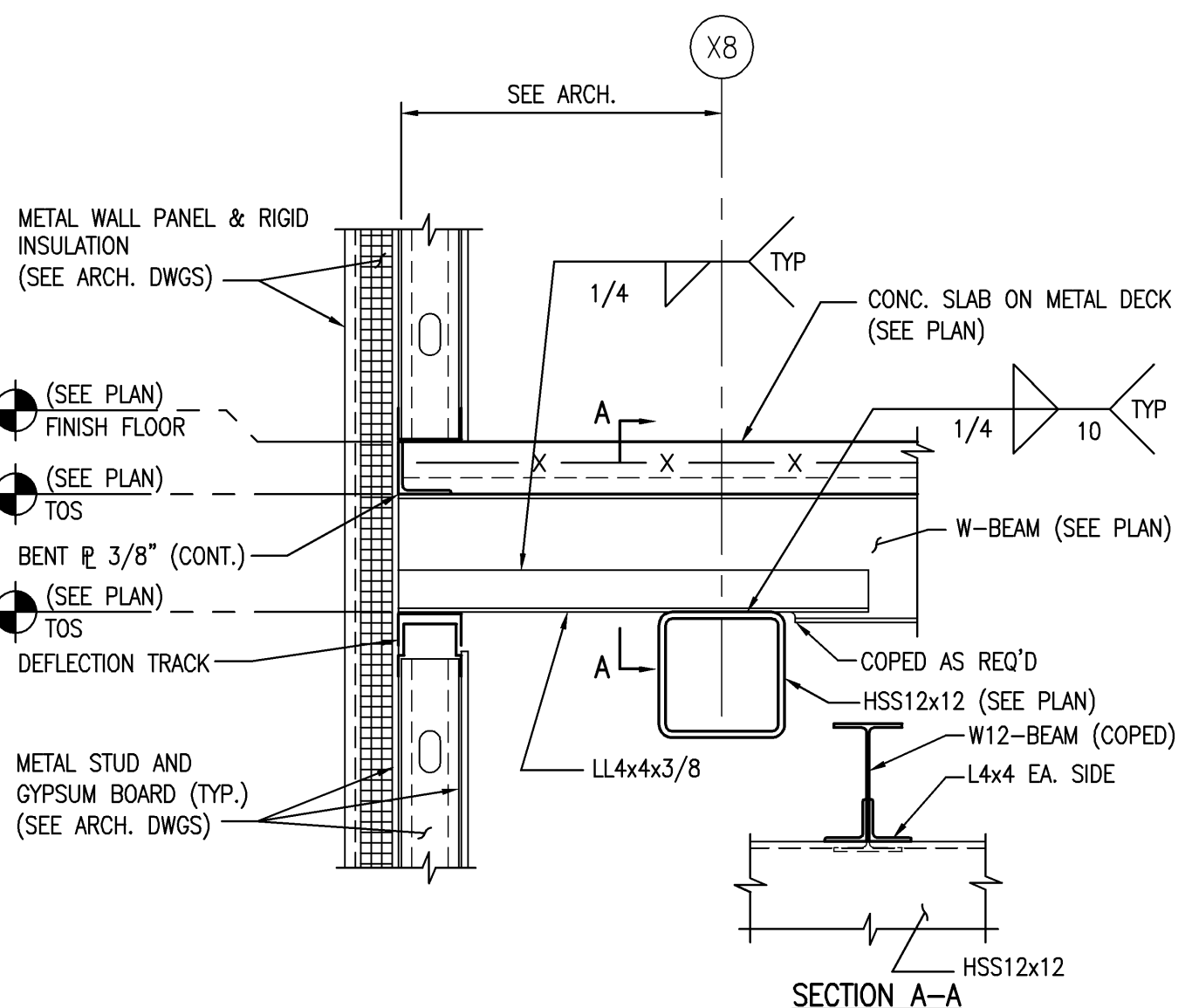
14

SECTION
SCALE: 3/4" = 1'-0"
S12.31

9

SECTION
SCALE: 3/4" = 1'-0"
S02.04.04, S02.04.05

4



SECTION
SCALE: 3/4" = 1'-0"

S02.03.05, S02.04.05, S02.03.07

DETAIL
SCALE: 3/4" = 1'-0"
S12.31

SECTION
SCALE: 3/4" = 1'-0"
S12.31

15

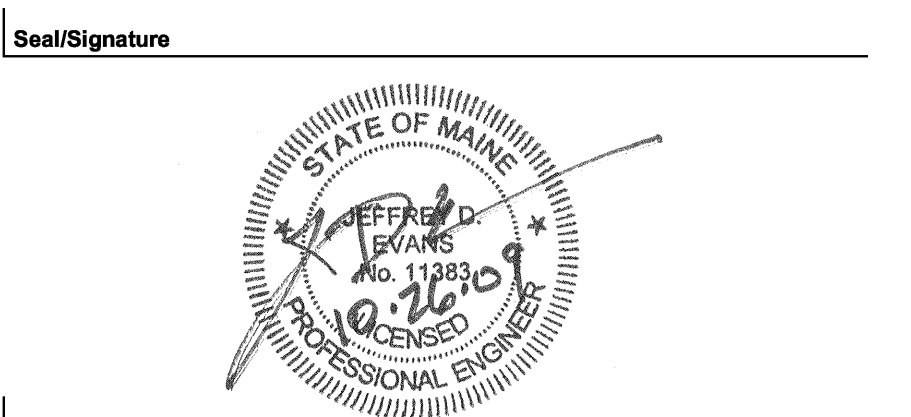
DETAIL
SCALE: 3/4" = 1'-0"
S02.04.06

10

SECTION
SCALE: 3/4" = 1'-0"
S02.04.06

5

Issue	Date & Issue Description	By	Check
01	01/23/09	JOE	
02	10/26/09	JOE	



Project Name
PJM Terminal Enhancement

Project Number
08.8396.000

CAD File Name
T:\5330101\SHEETS\S12.31.DWG

Description
FRAMING SECTIONS & DETAILS - LEVEL 4

Scale
AS NOTED

S12.31