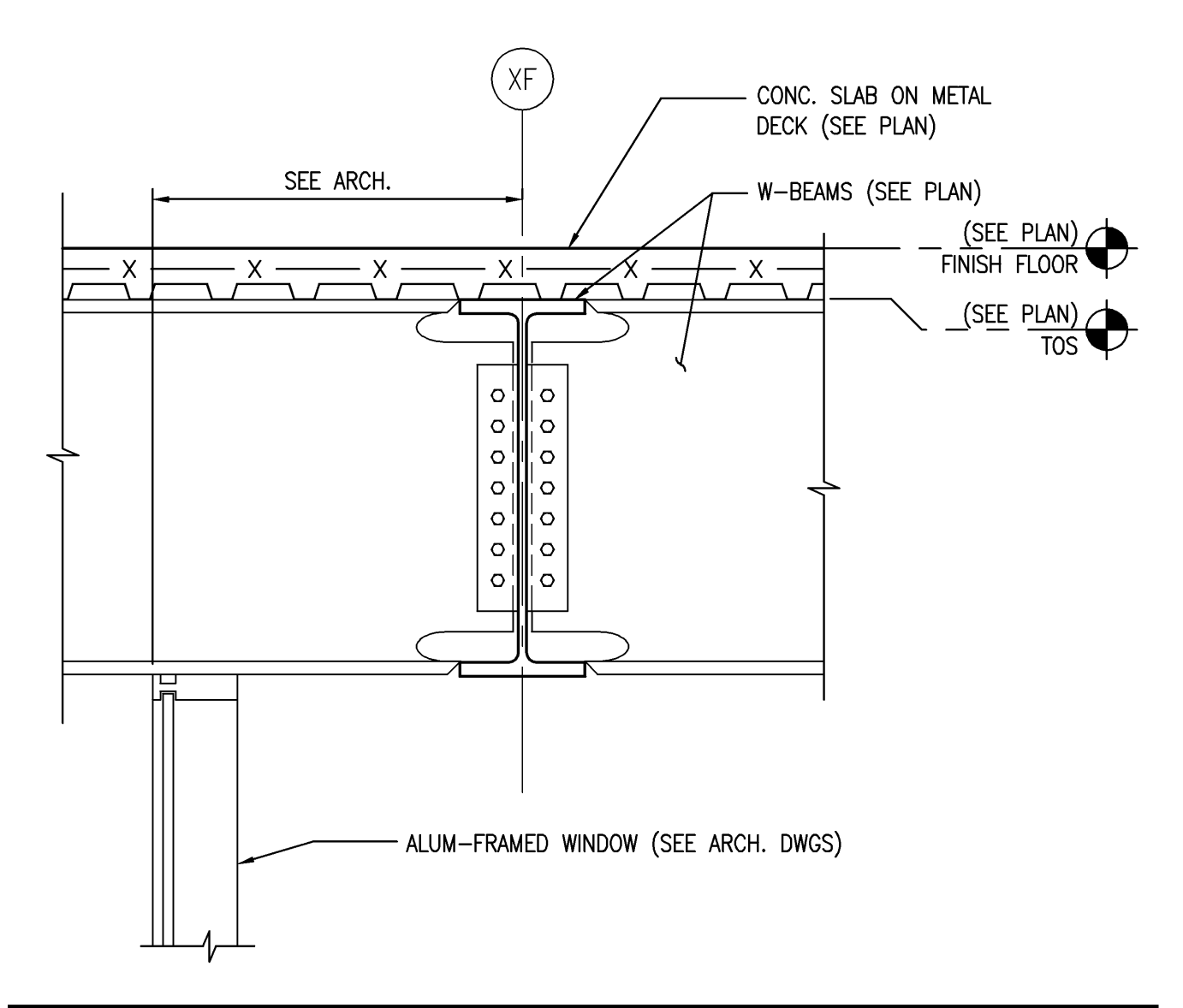
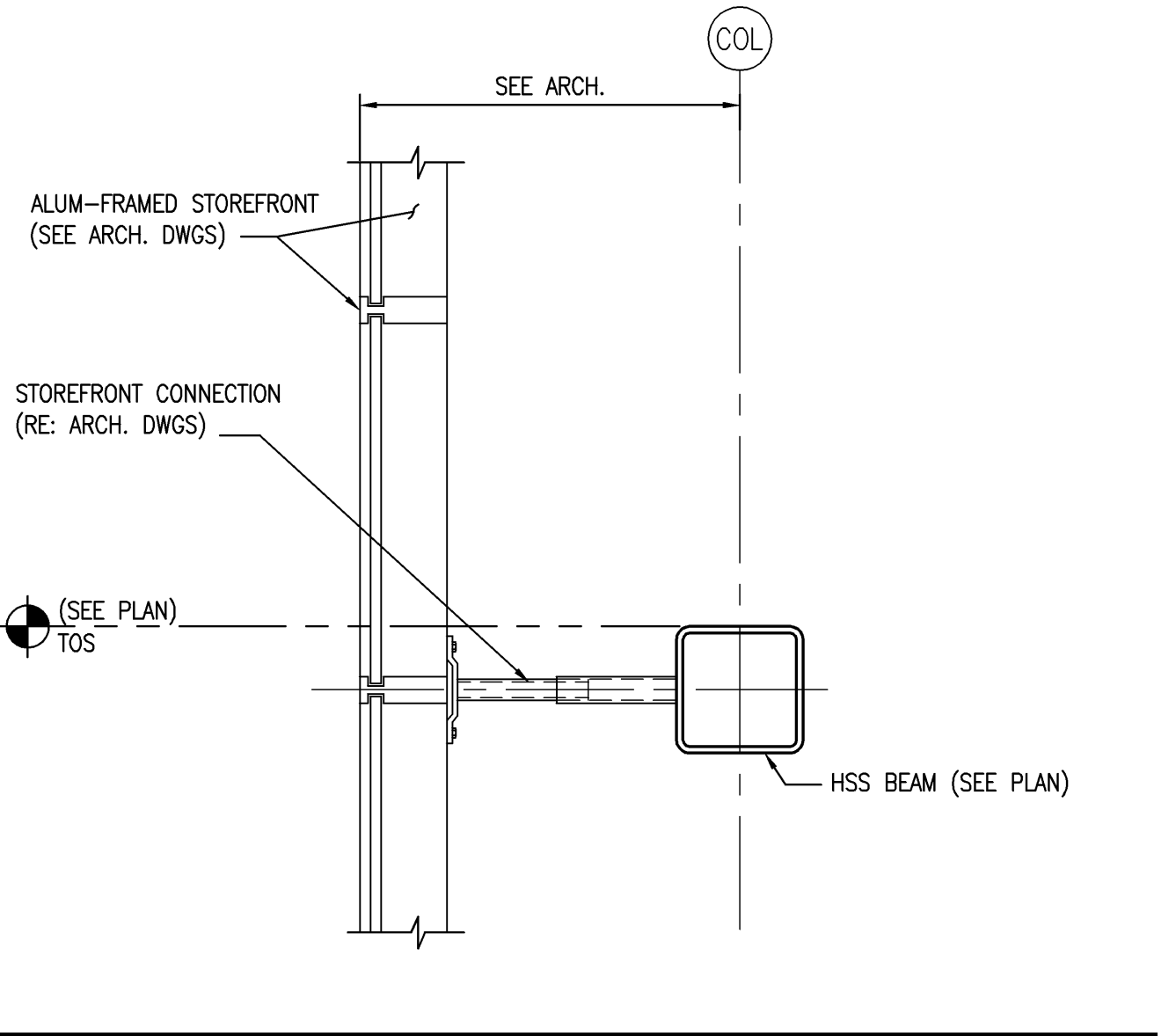


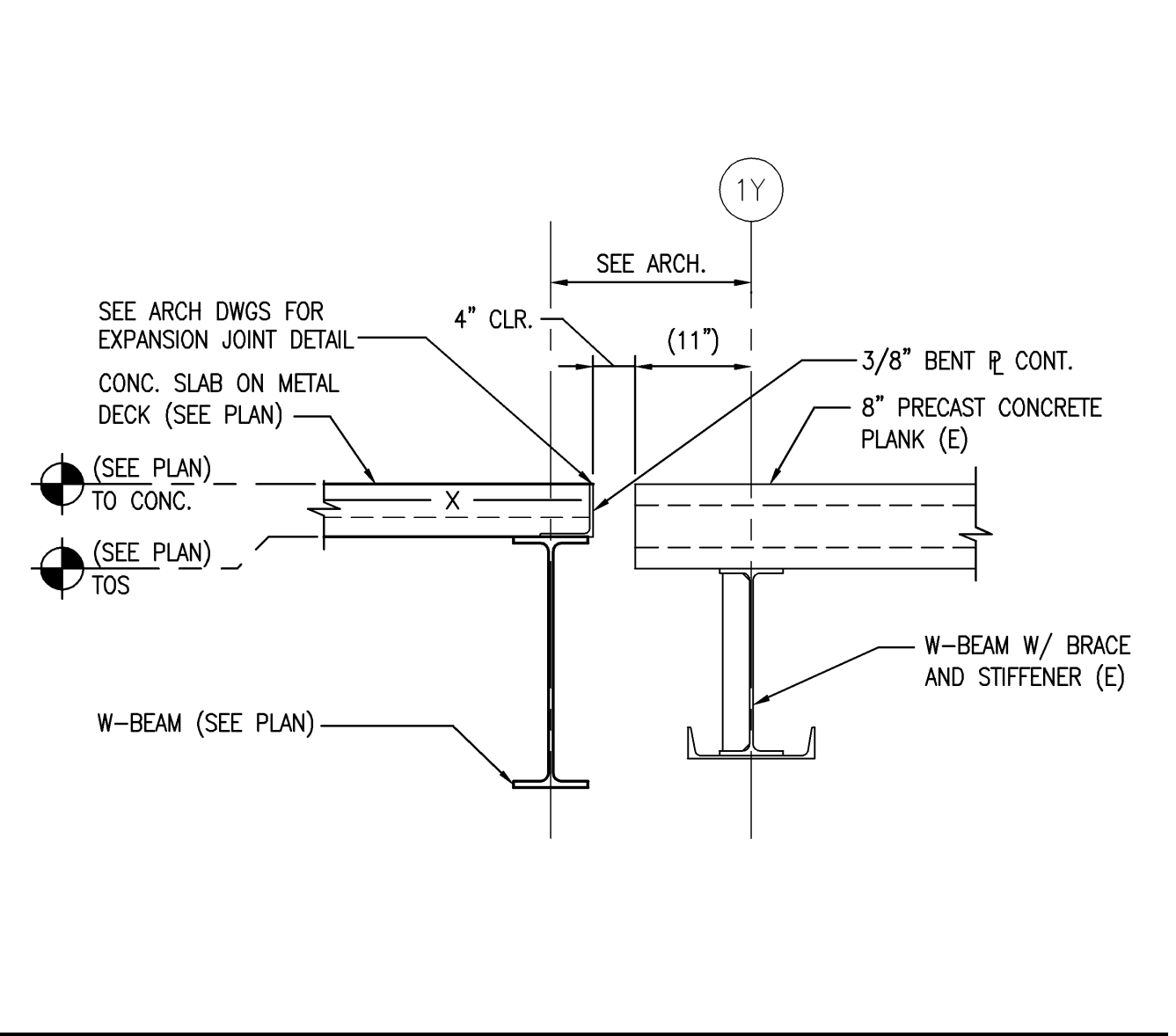
**SECTION @ ROOF LIGHT MOUTING POST**  
SCALE: 3/4" = 1'-0"  
S02.04.04, S02.04.05 **14**



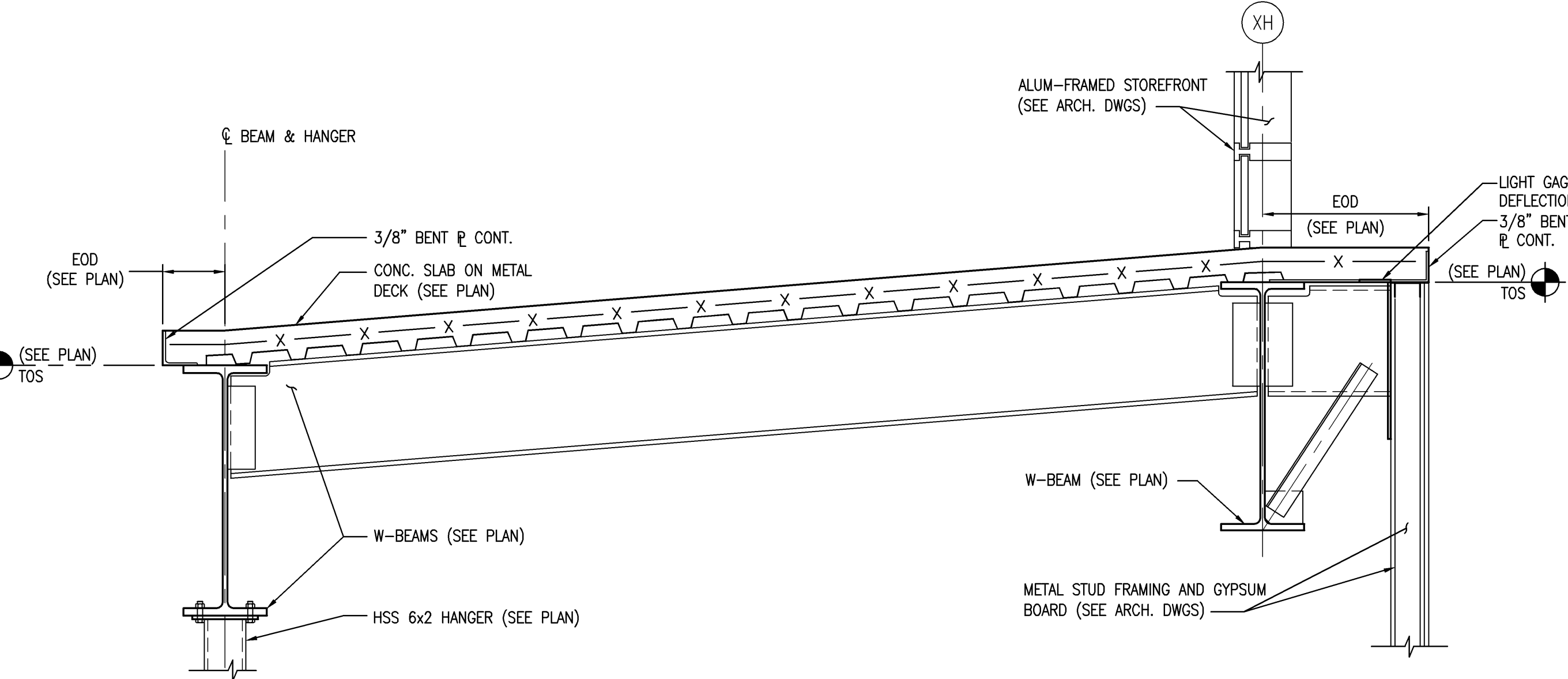
**SECTION**  
SCALE: 3/4" = 1'-0"  
S02.04.05 **11**



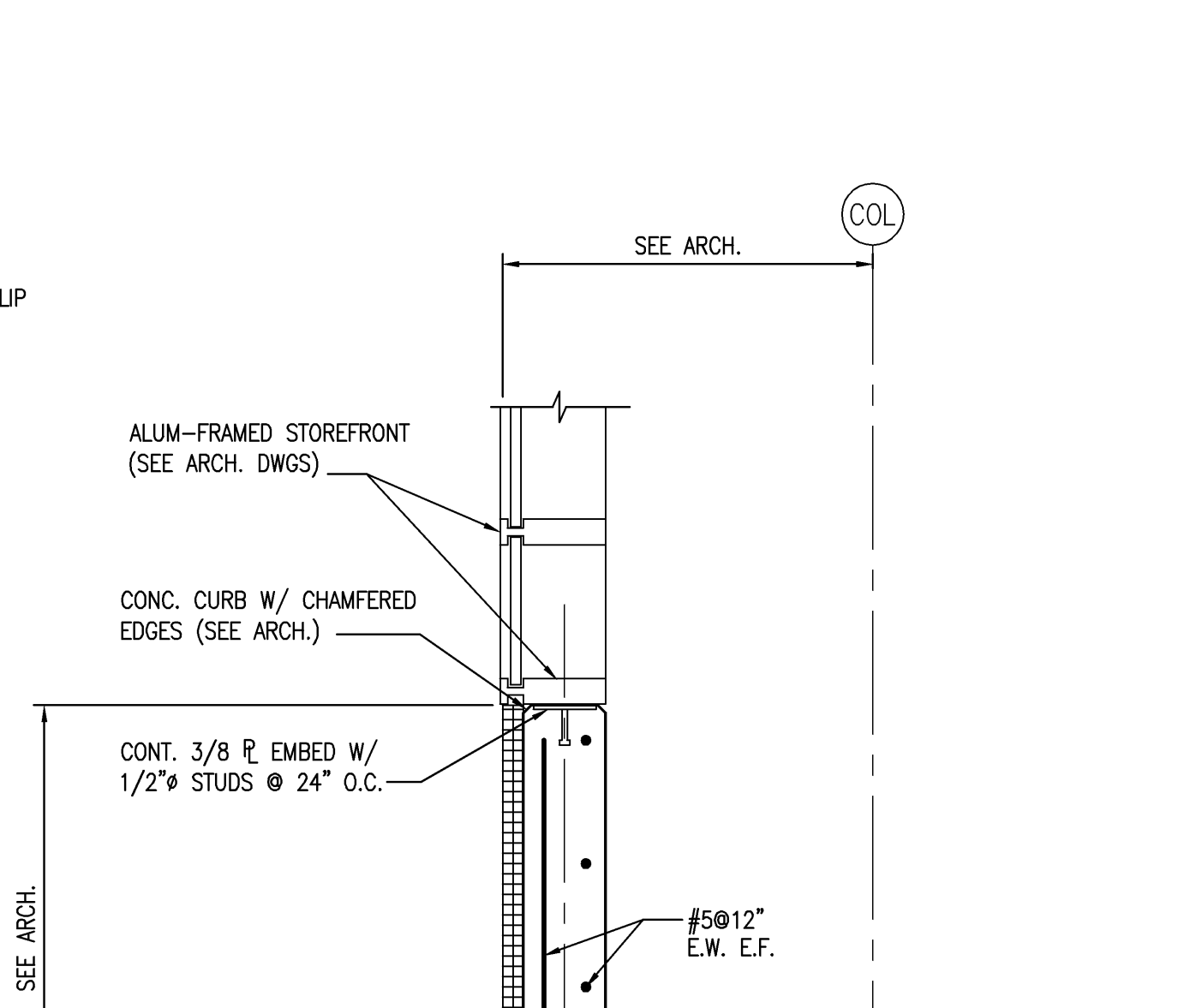
**SECTION**  
SCALE: 3/4" = 1'-0"  
S02.04.05 **6**



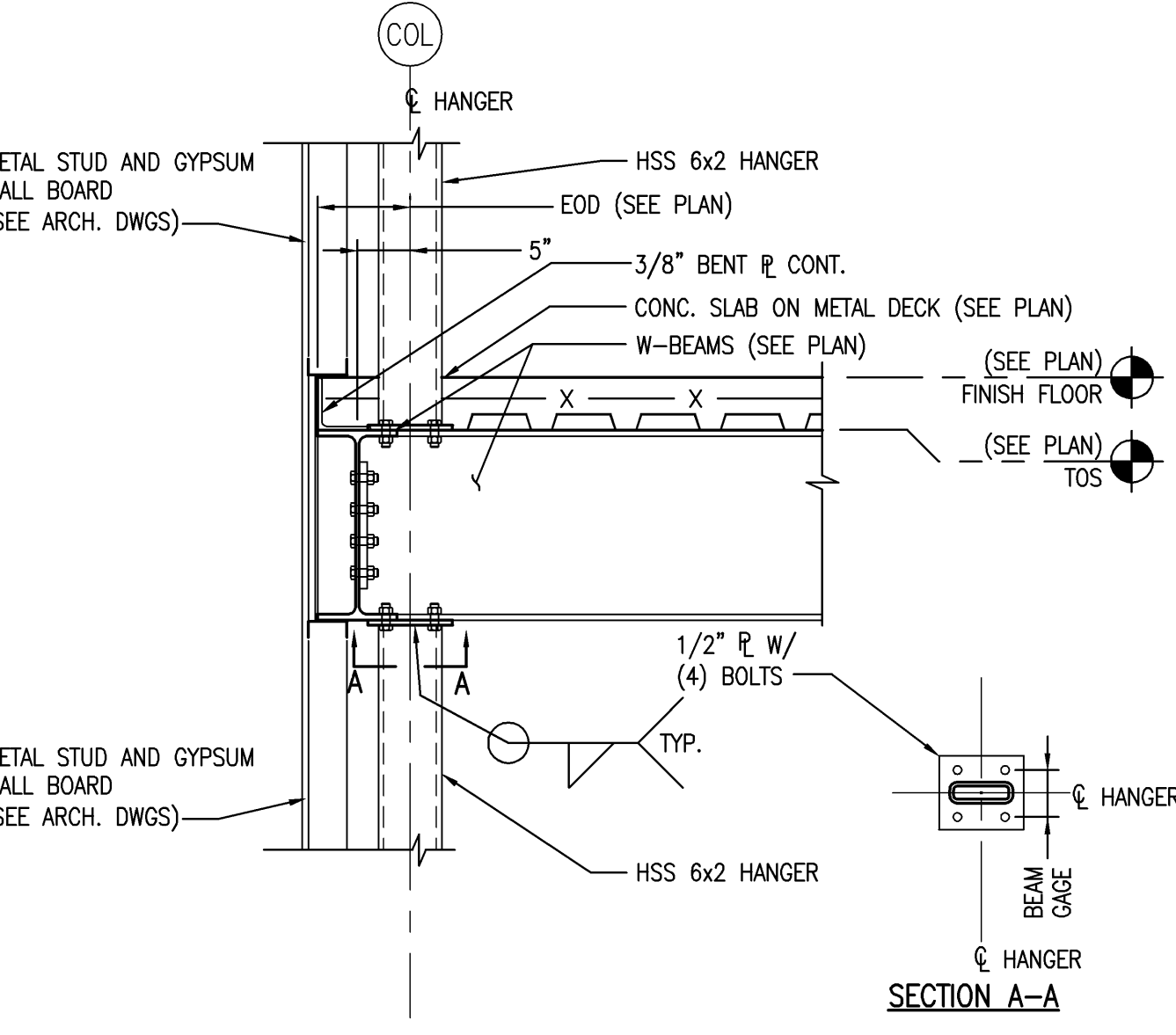
**SECTION**  
SCALE: 3/4" = 1'-0"  
S02.04.04 **1**



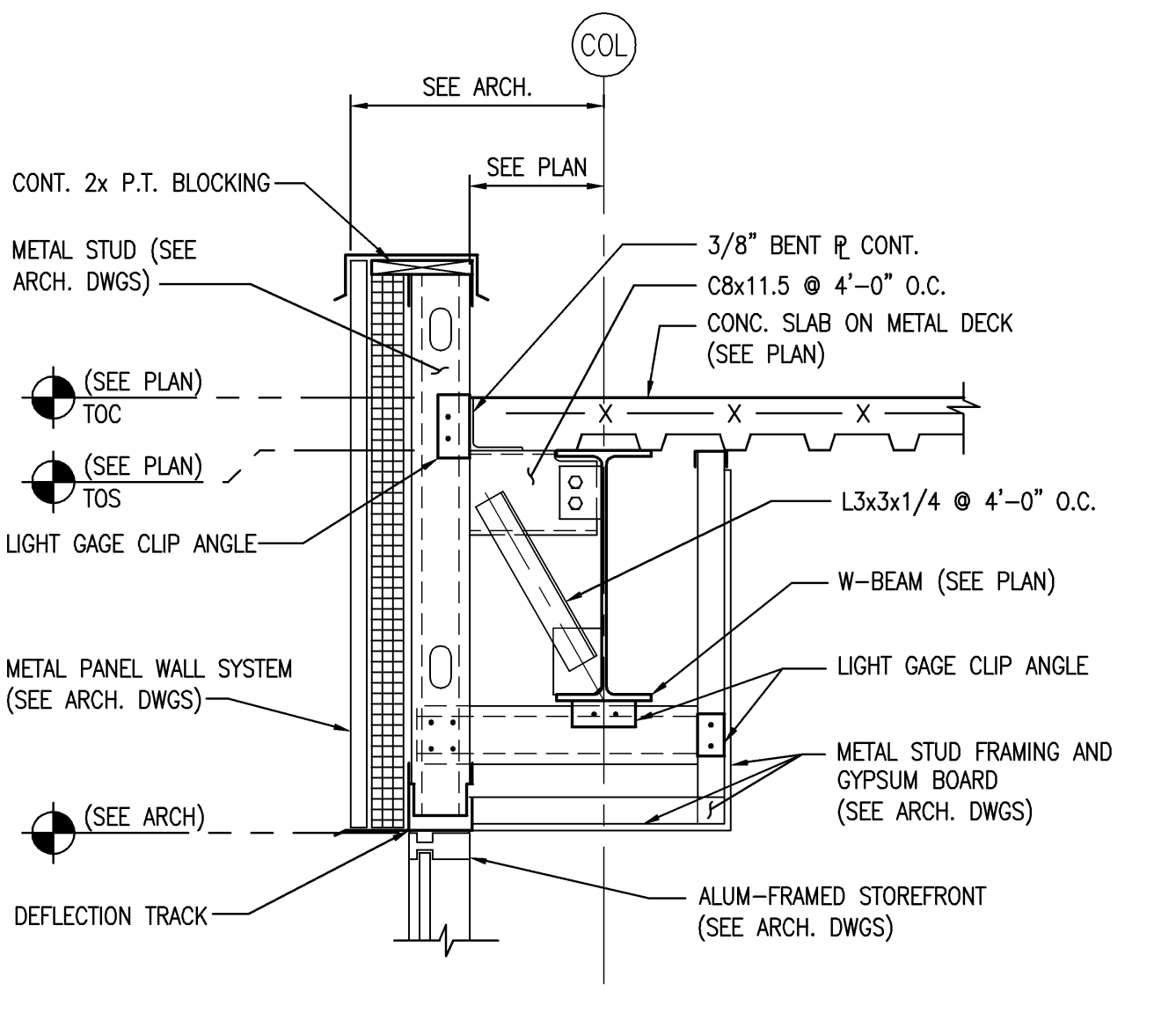
**SECTION**  
SCALE: 3/4" = 1'-0"  
S02.04.04, S02.04.05 **15**



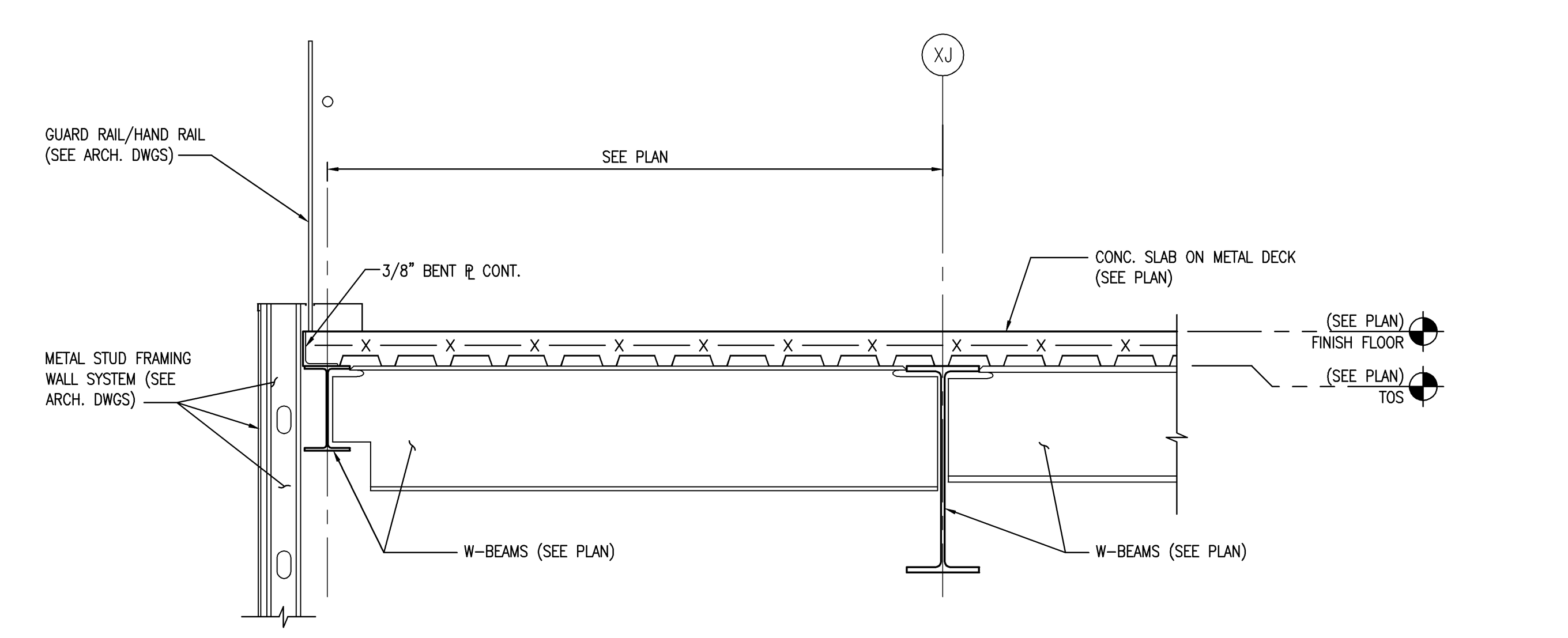
**SECTION**  
SCALE: 3/4" = 1'-0"  
S02.04.04, S02.04.05 **12**



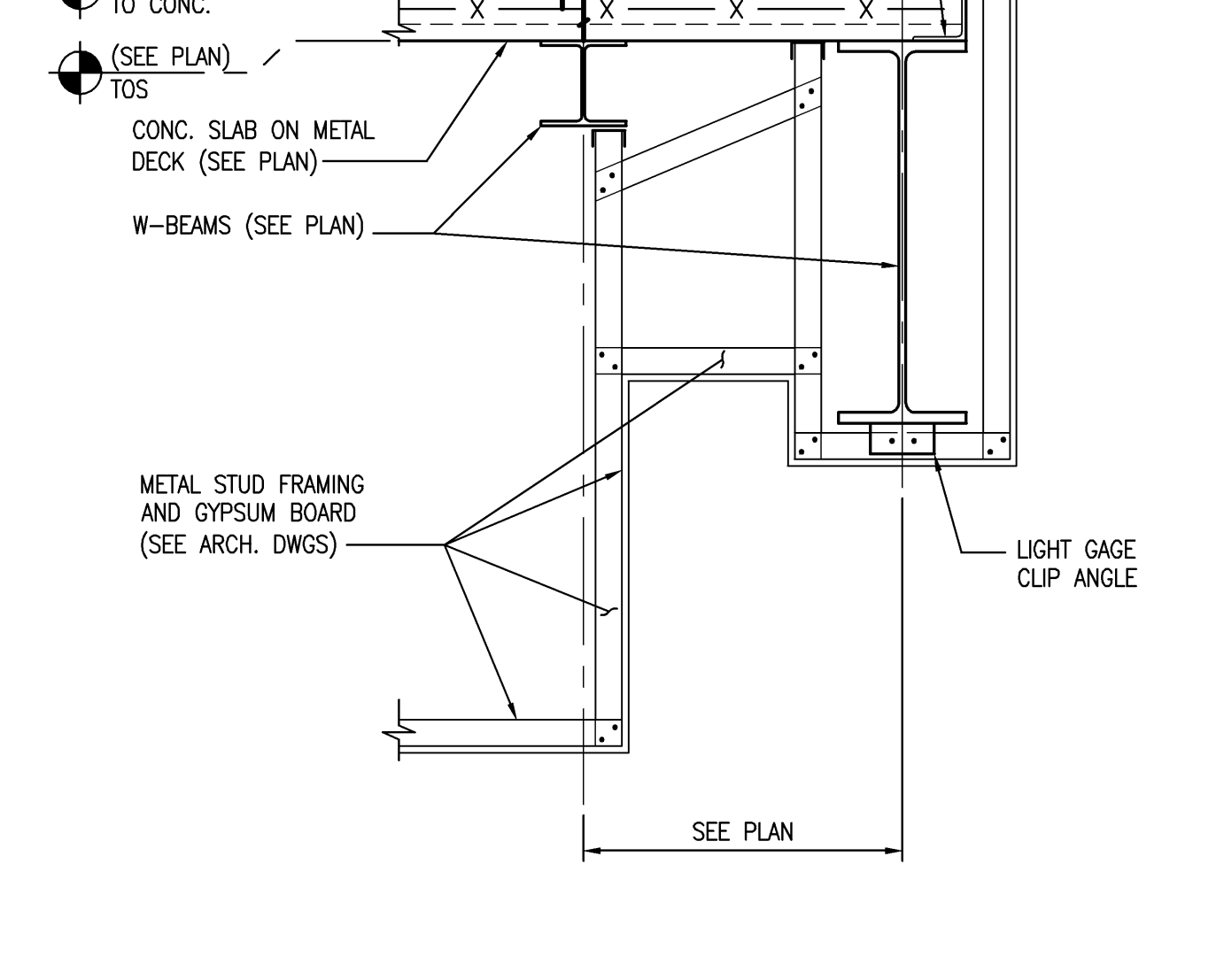
**SECTION**  
SCALE: 3/4" = 1'-0"  
S02.04.05 **7**



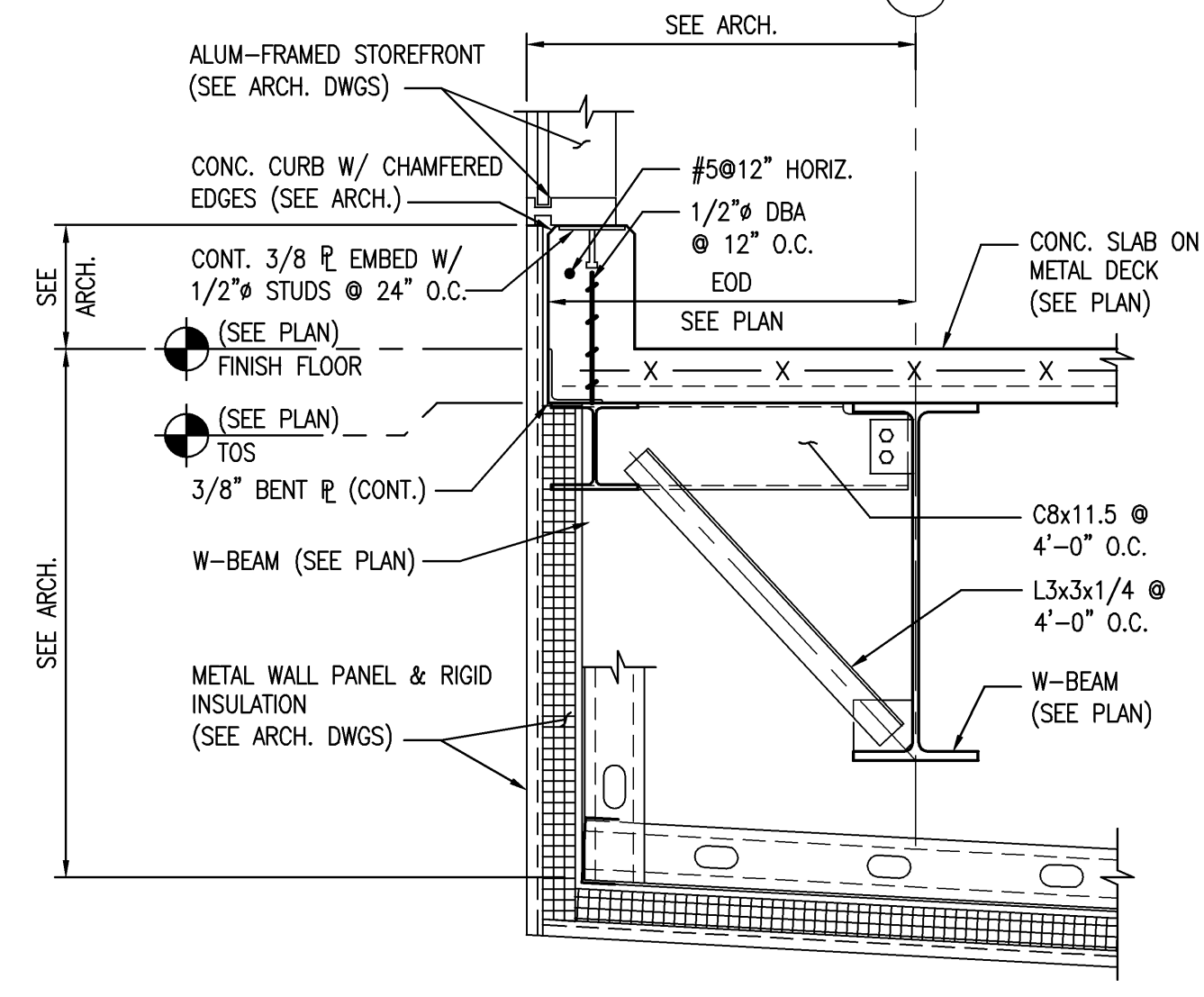
**SECTION**  
SCALE: 3/4" = 1'-0"  
S02.04.04, S02.04.05, S02.RP.06 **2**



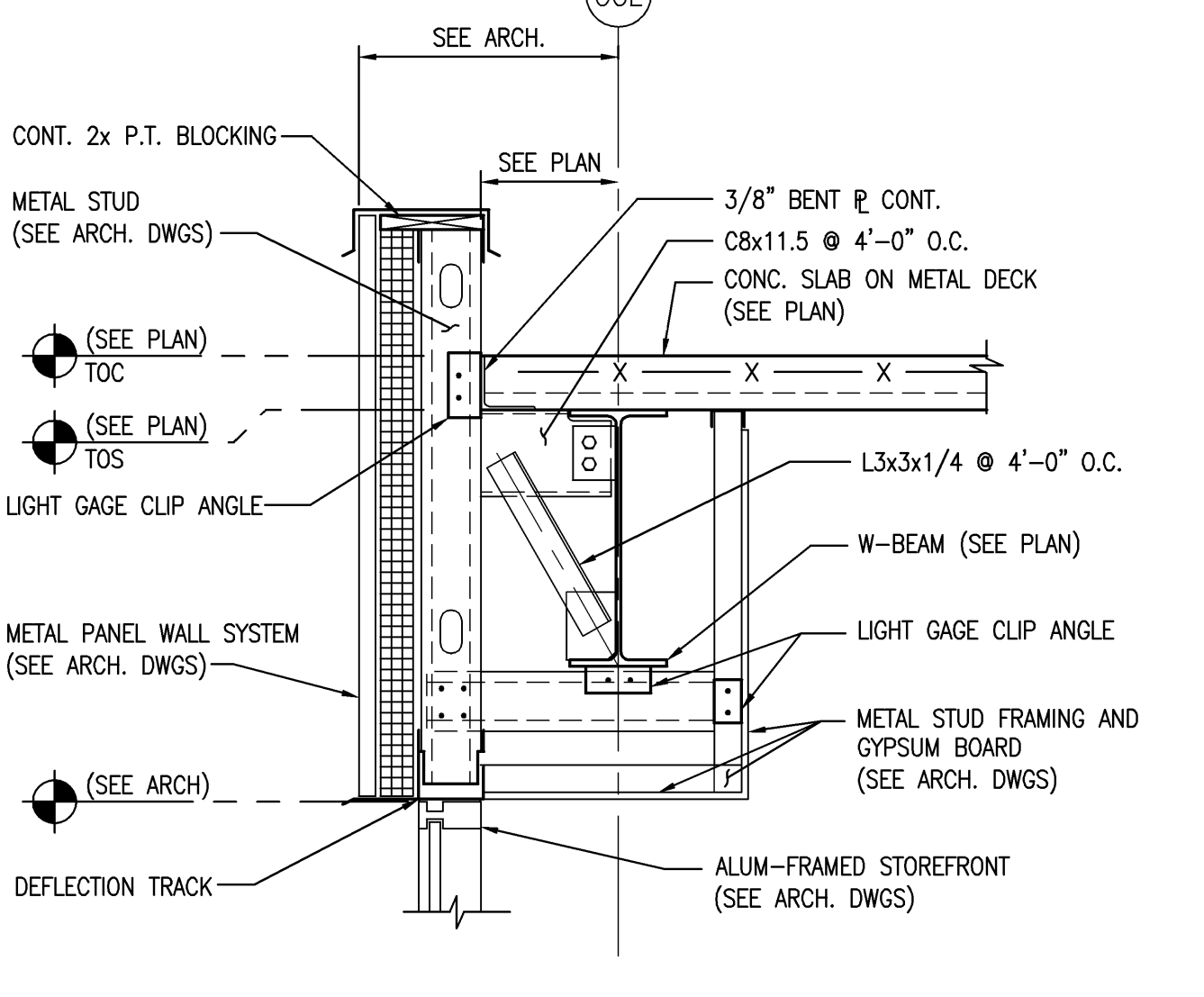
**SECTION**  
SCALE: 3/4" = 1'-0"  
S02.04.05 **16**



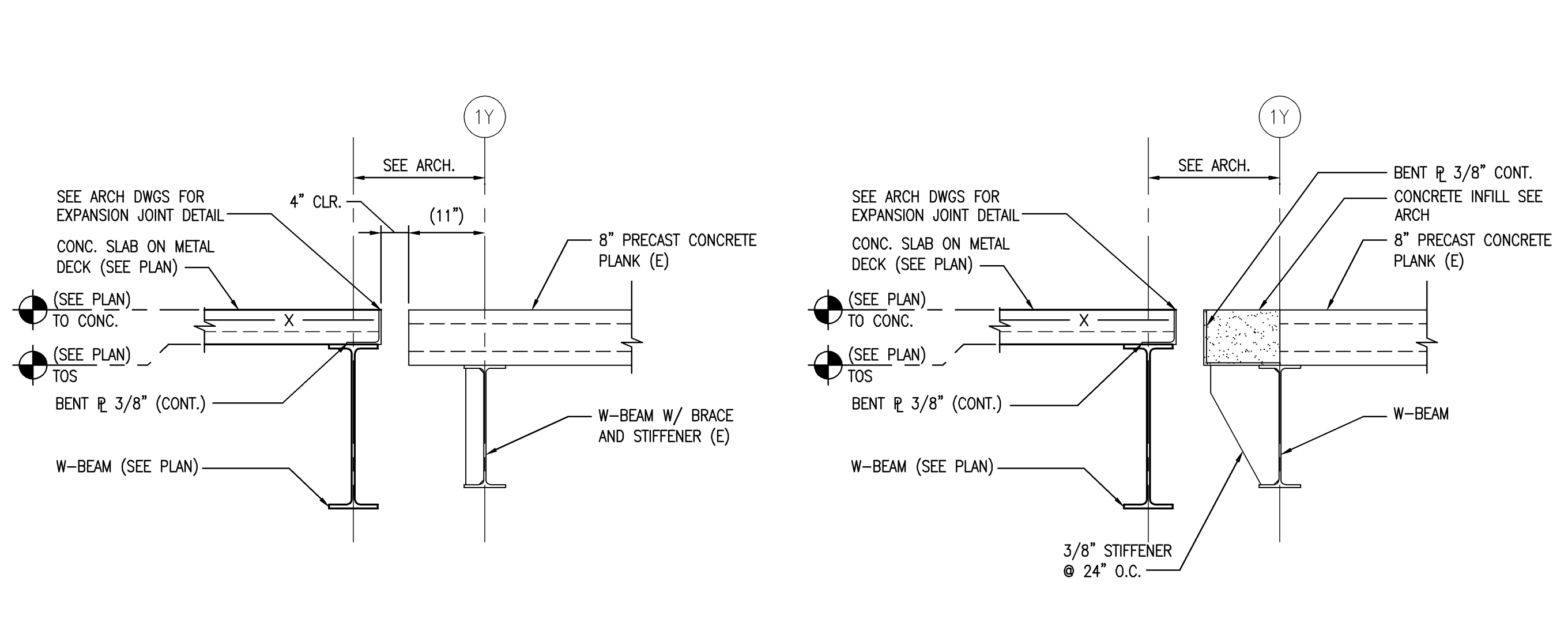
**SECTION**  
SCALE: 3/4" = 1'-0"  
S02.04.04, S02.04.05 **13**



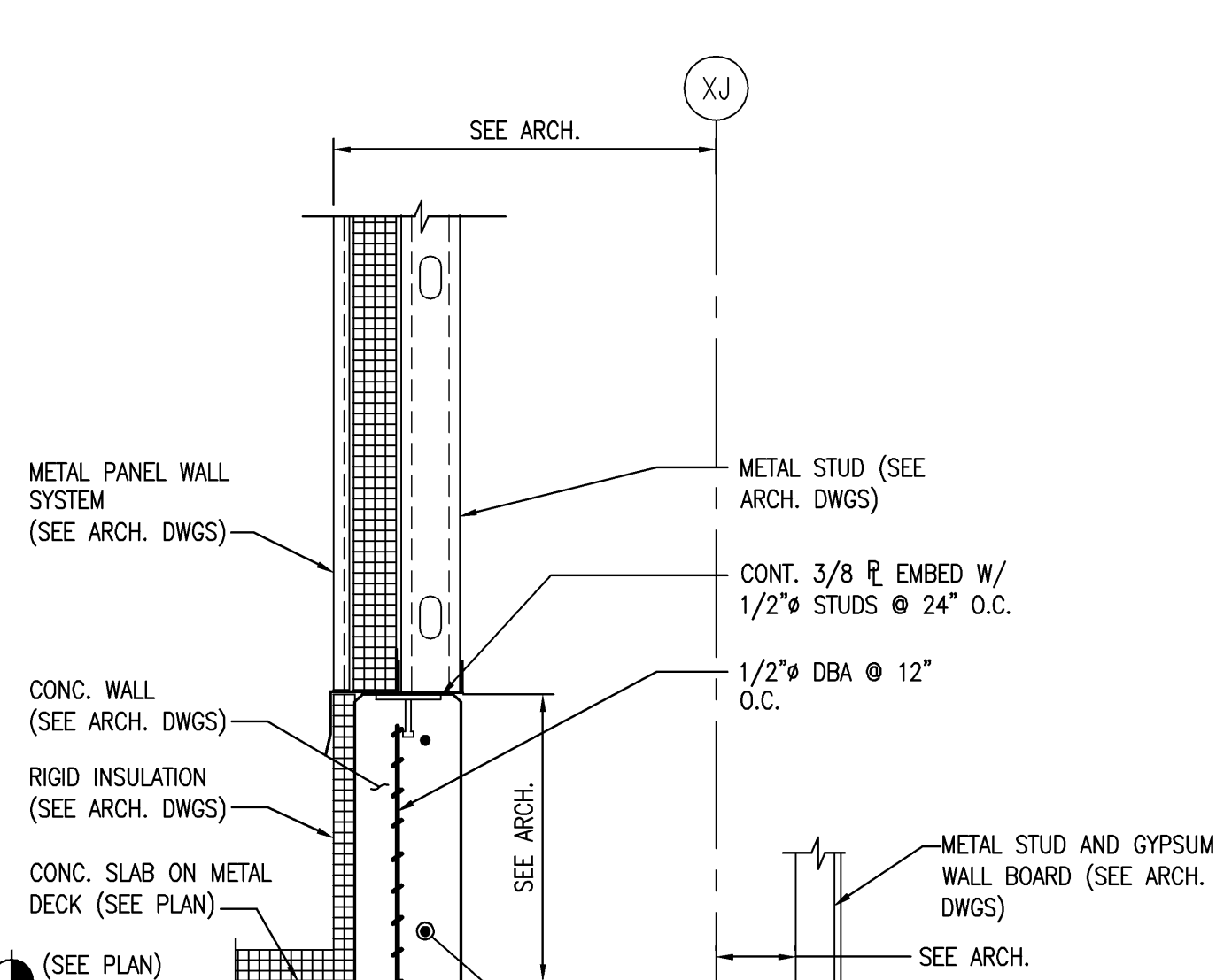
**SECTION**  
SCALE: 3/4" = 1'-0"  
S02.04.05, S02.04.06 **8**



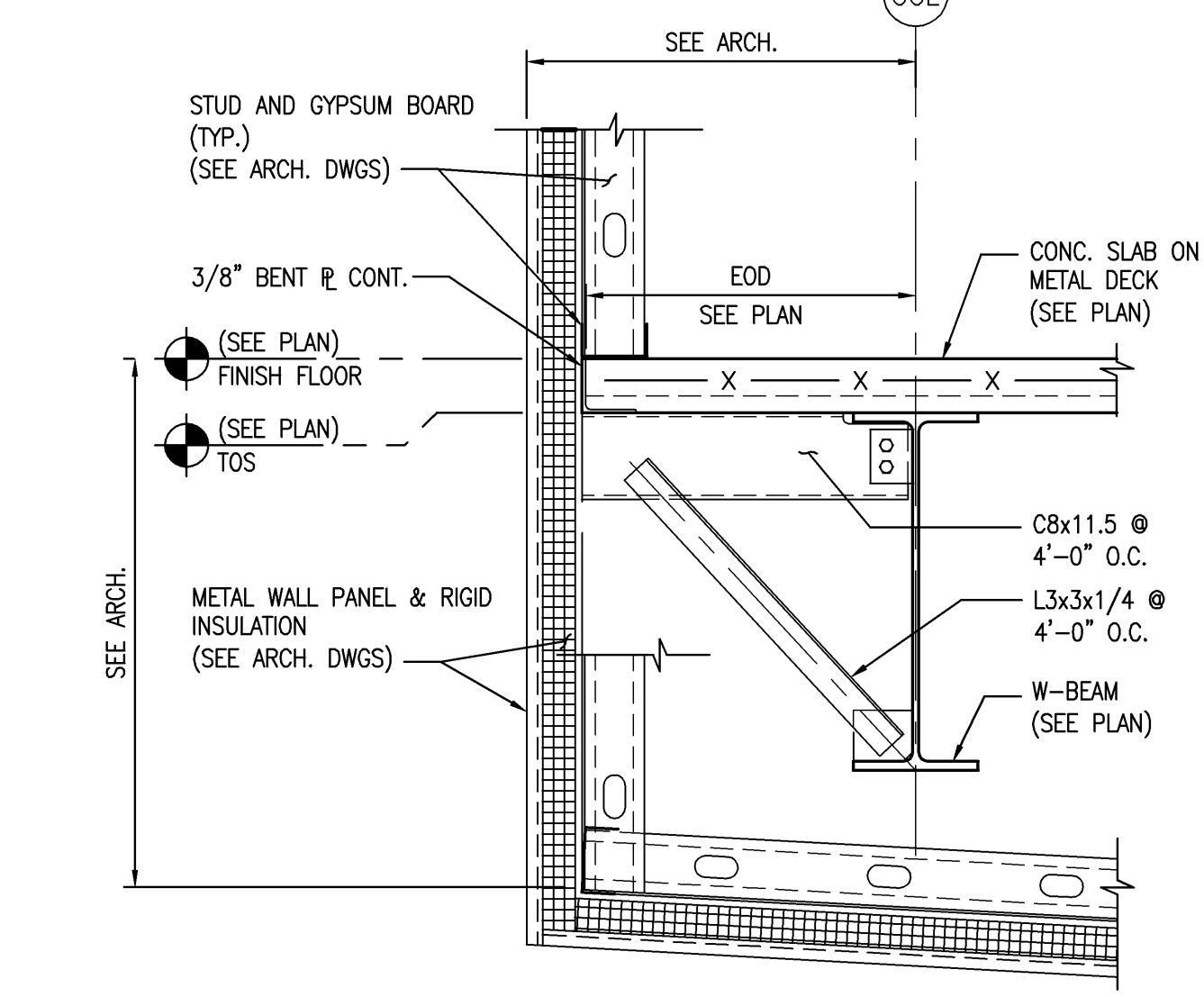
**SECTION**  
SCALE: 3/4" = 1'-0"  
S02.04.05, S02.RP.06 **3**



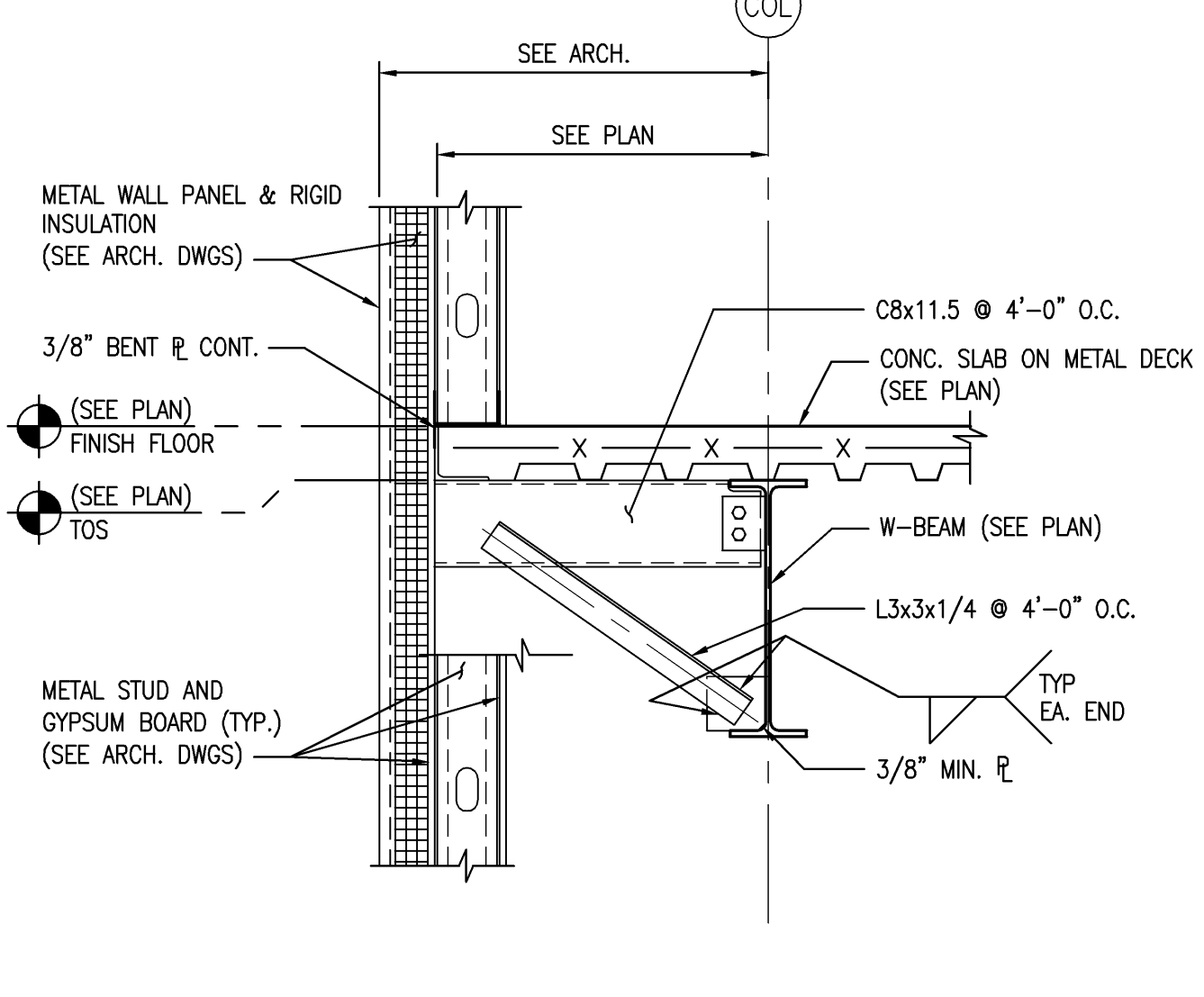
**SECTION**  
SCALE: 3/4" = 1'-0"  
S02.04.04 **19**



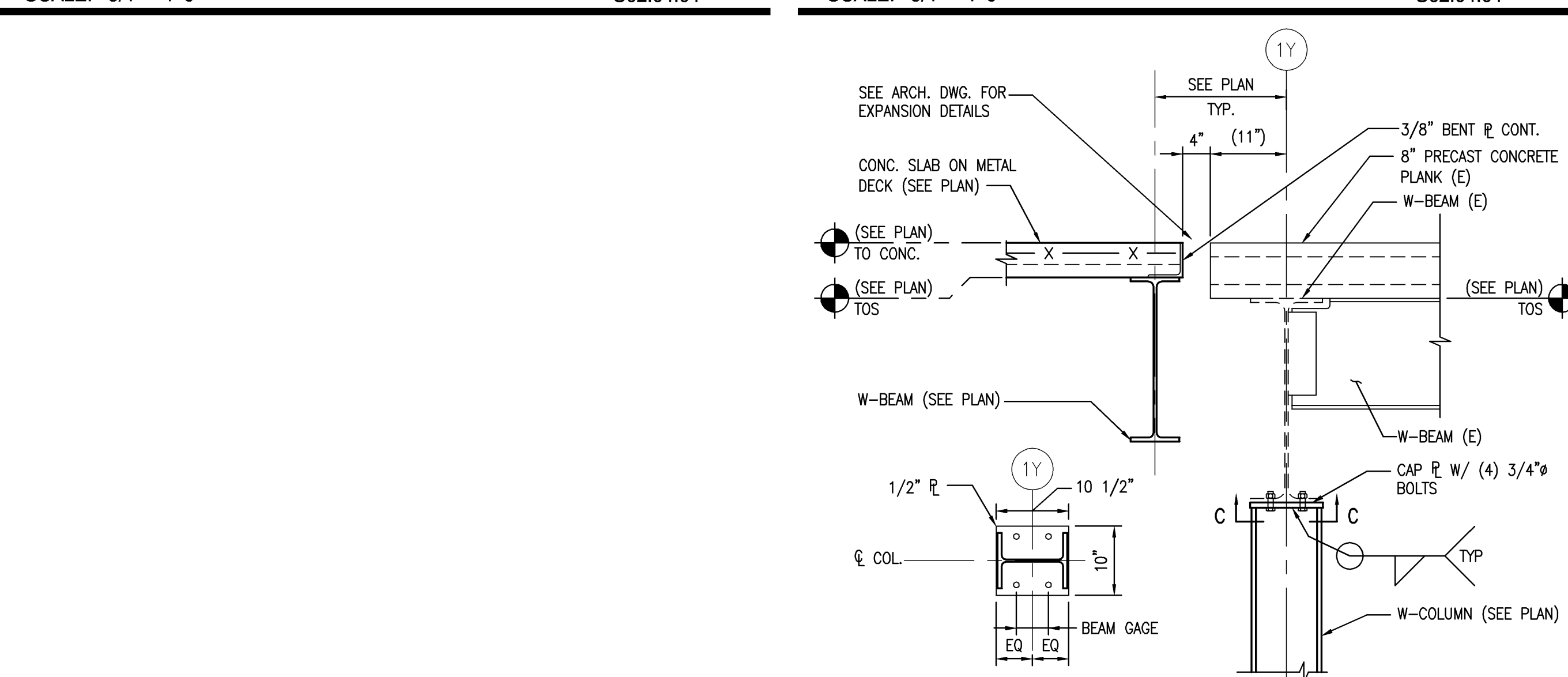
**SECTION**  
SCALE: 3/4" = 1'-0"  
S02.04.04 **17**



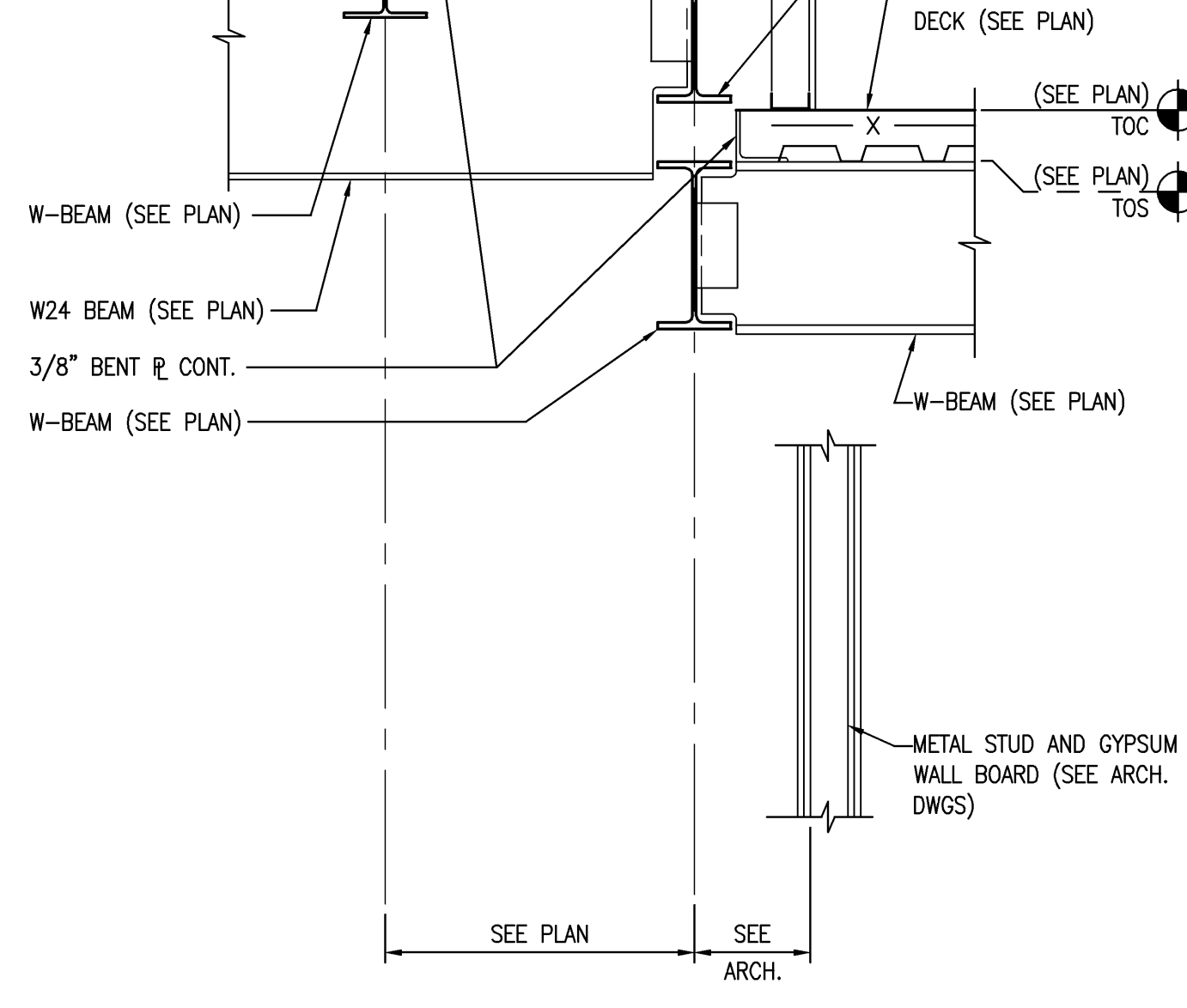
**SECTION**  
SCALE: 3/4" = 1'-0"  
S02.04.06 **9**



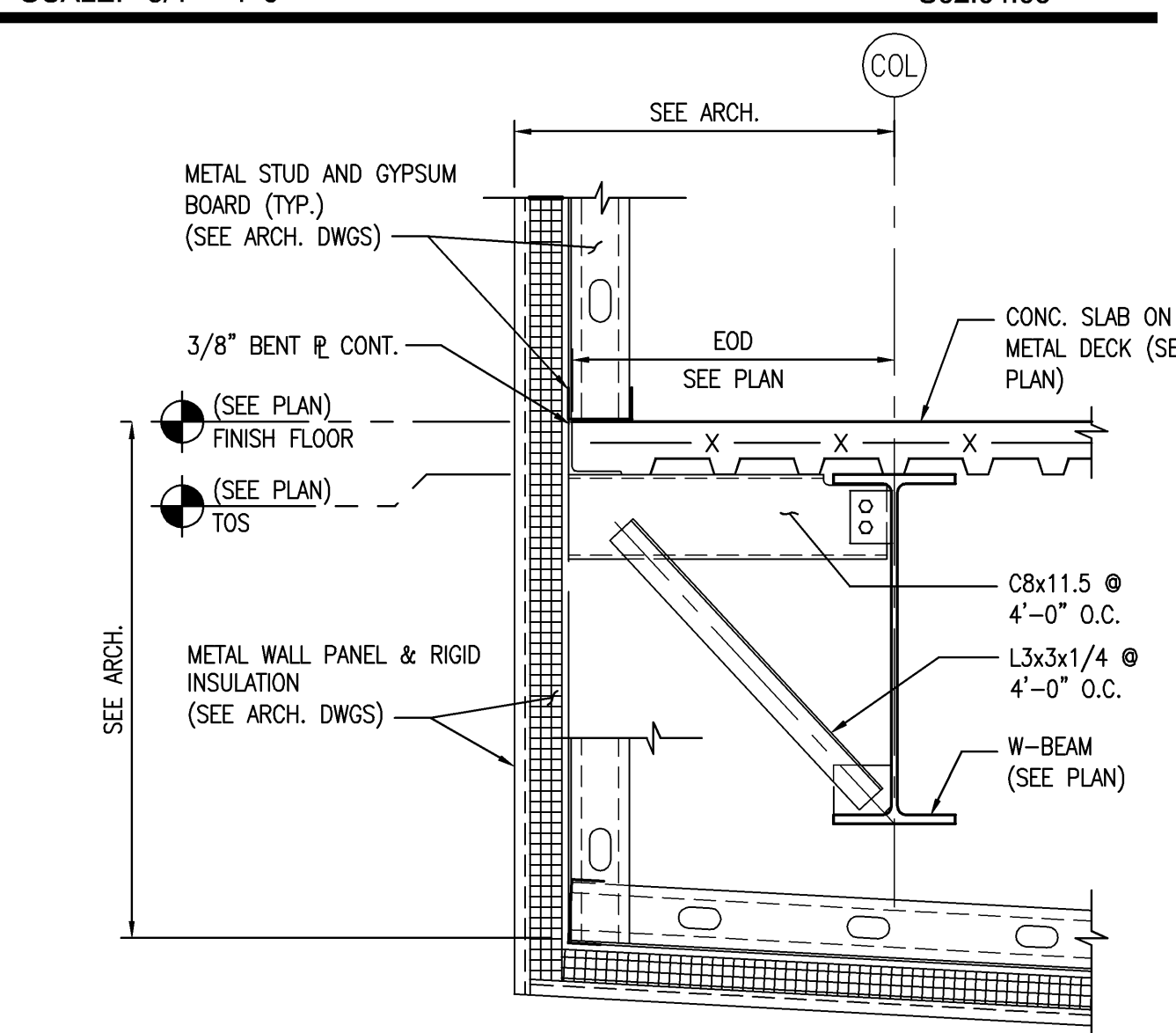
**SECTION**  
SCALE: 3/4" = 1'-0"  
S02.04.05 **4**



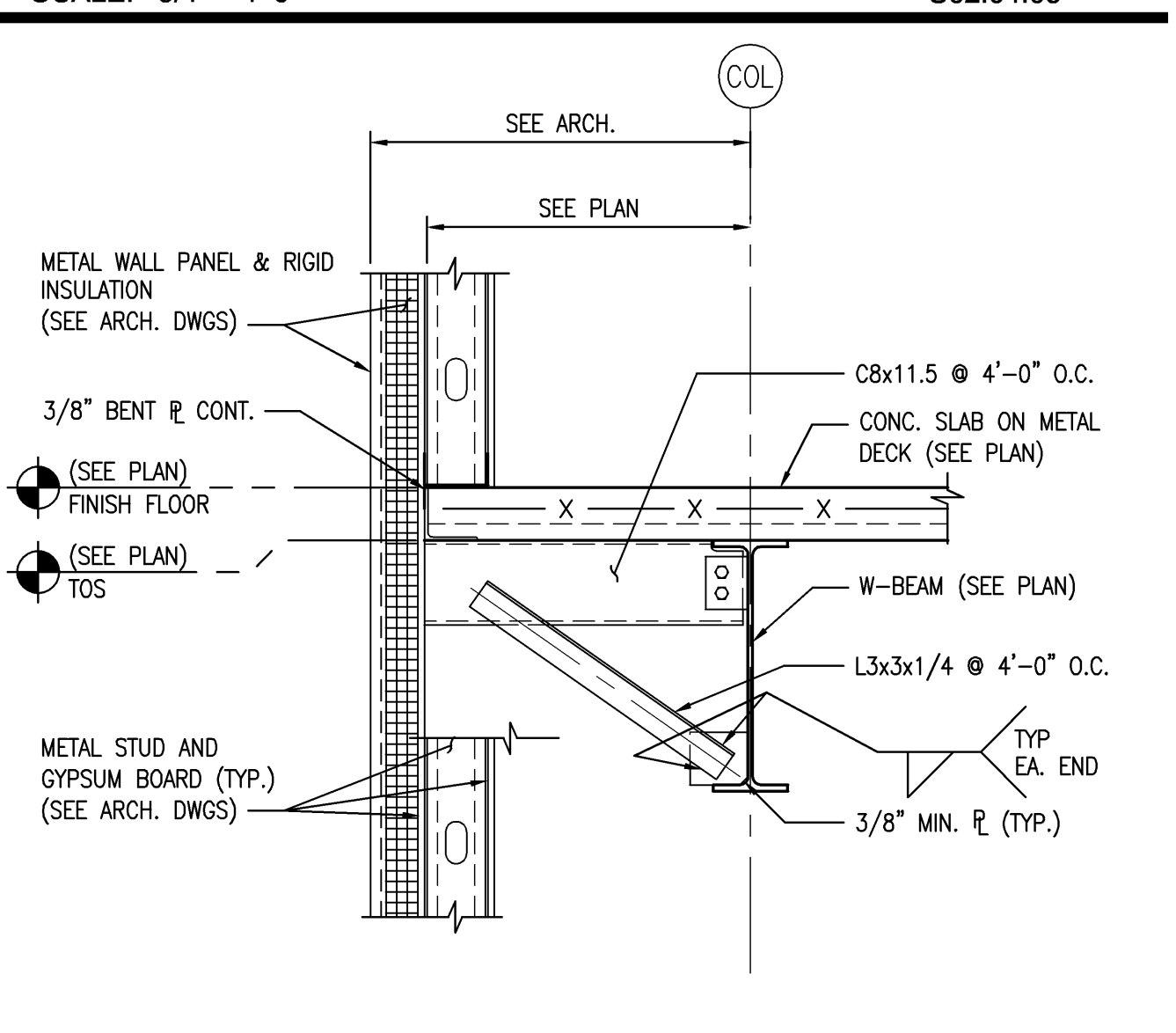
**SECTION**  
SCALE: 3/4" = 1'-0"  
S02.04.04 **20**



**SECTION**  
SCALE: 3/4" = 1'-0"  
S02.04.04 **18**



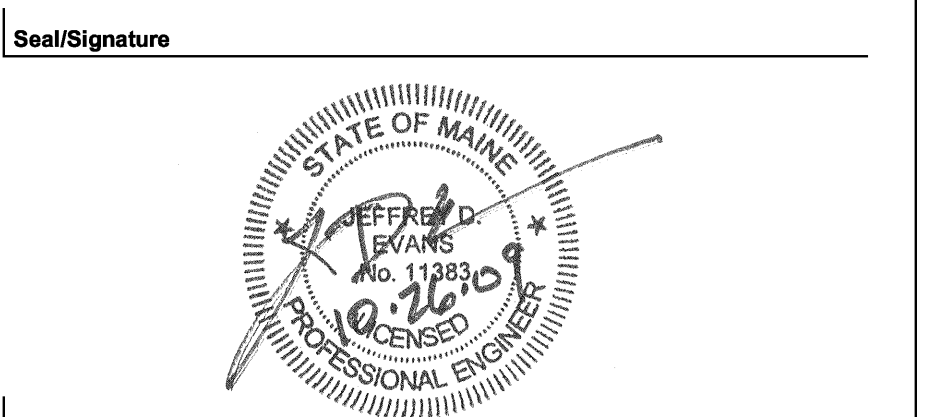
**SECTION**  
SCALE: 3/4" = 1'-0"  
S02.04.06 **10**



**SECTION**  
SCALE: 3/4" = 1'-0"  
S02.04.05 **5**

Issue	Date & Issue Description	By	Check
01	09/22/08	JDE	---
02	12/03/08	JDE	---
03	01/23/09	JDE	---
04	10/26/09	JDE	---

Issue	Date & Issue Description	By	Check
01	09/22/08	JDE	---
02	12/03/08	JDE	---
03	01/23/09	JDE	---
04	10/26/09	JDE	---



Project Name  
PJM Terminal Enhancement

Project Number  
09.8395.000  
CAD File Name  
T:\5330101\SHEETS\S12.30.DWG  
Description  
FRAMING SECTIONS & DETAILS - LEVEL 4

Scale  
AS NOTED

**S12.30**