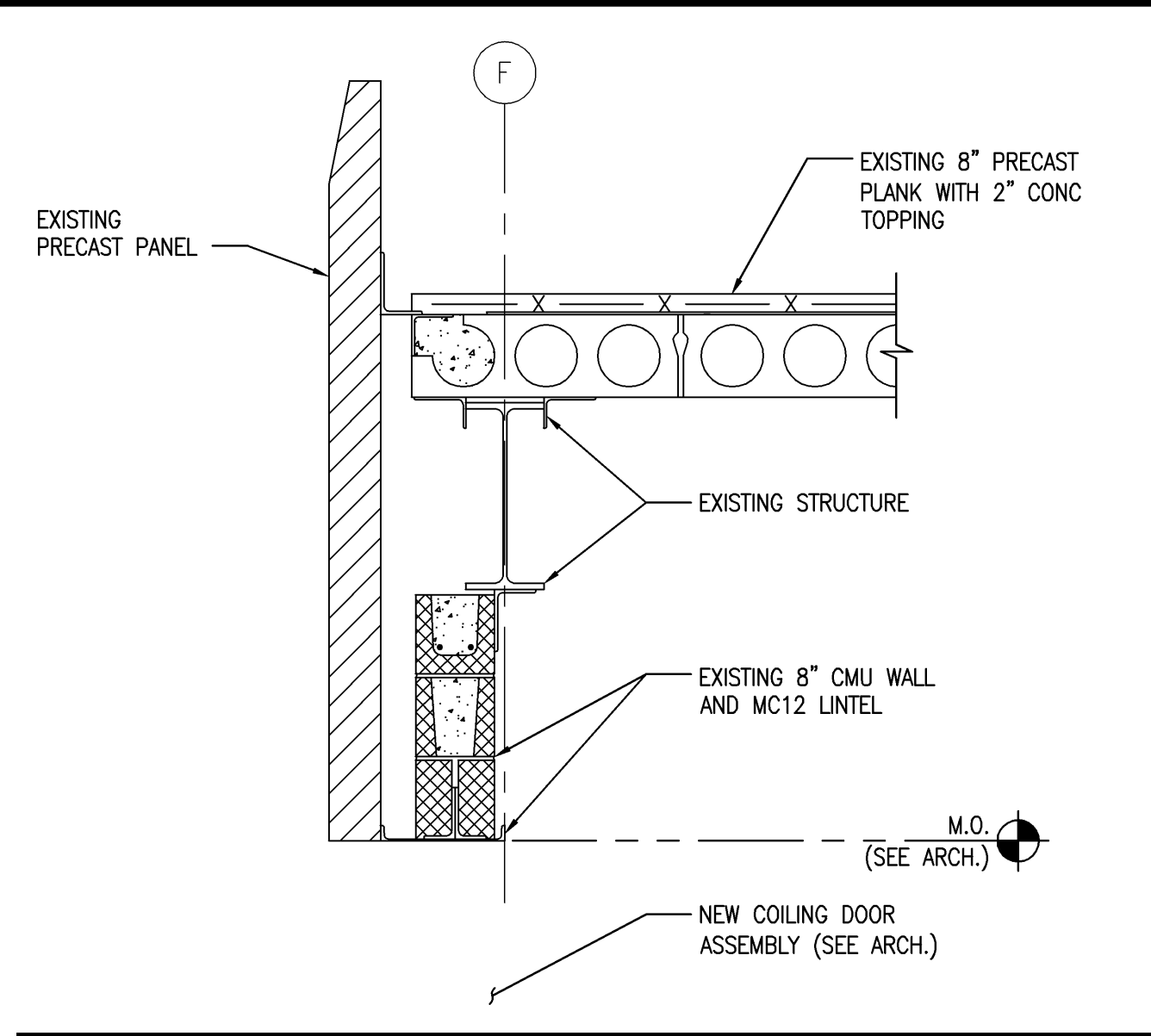
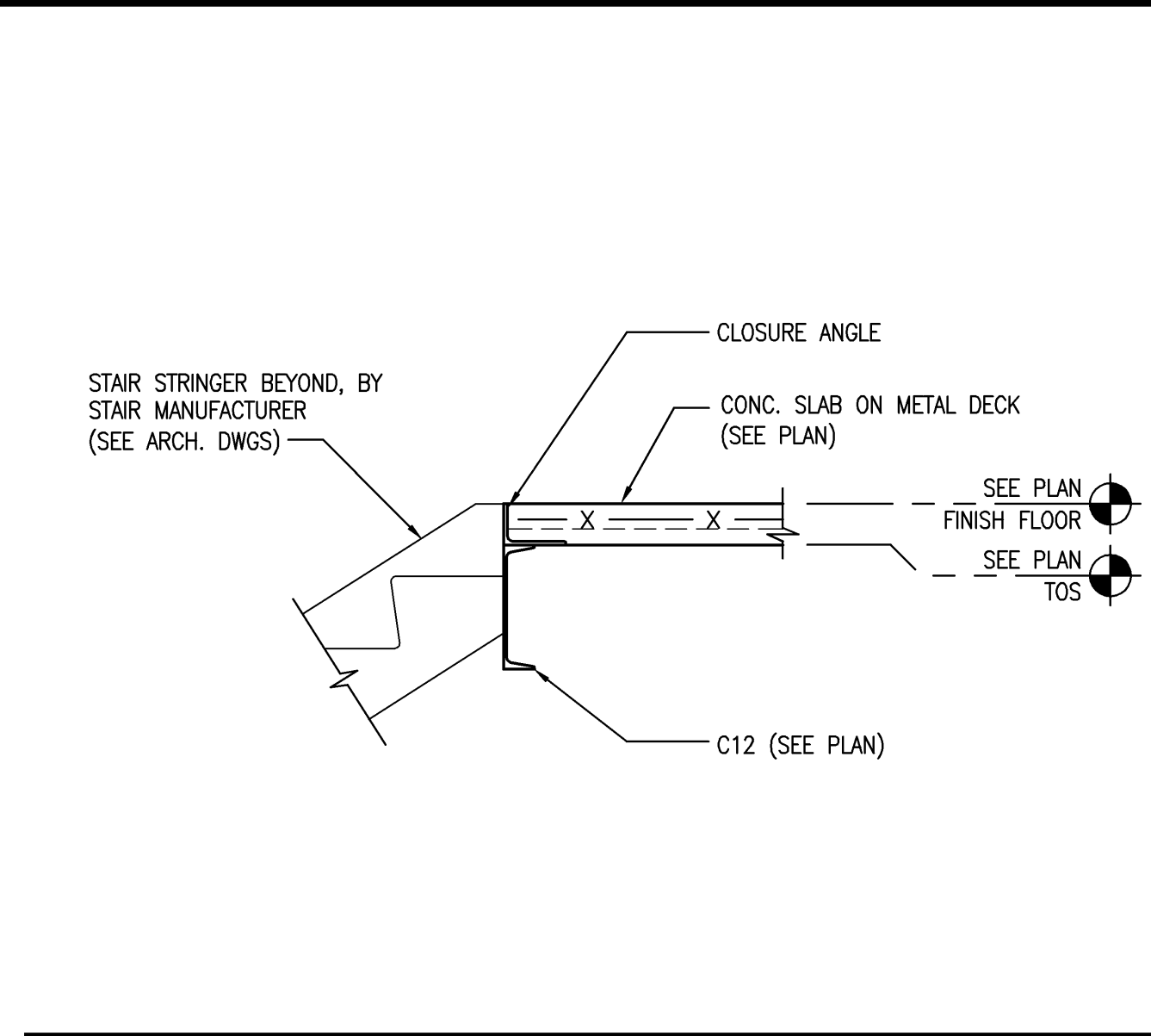


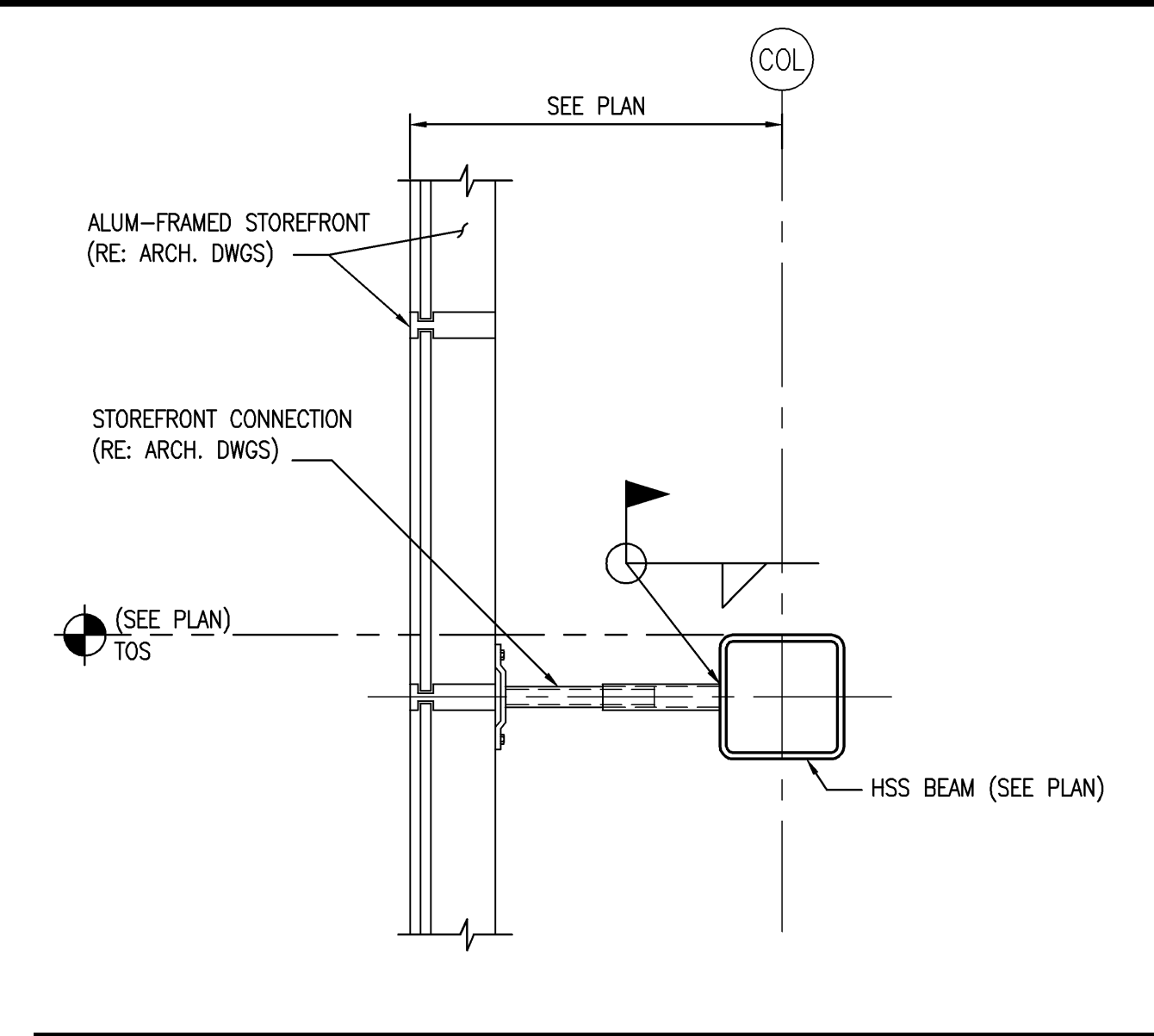
**DETAIL**  
SCALE: 3/4" = 1'-0"  
S08.01 **21**



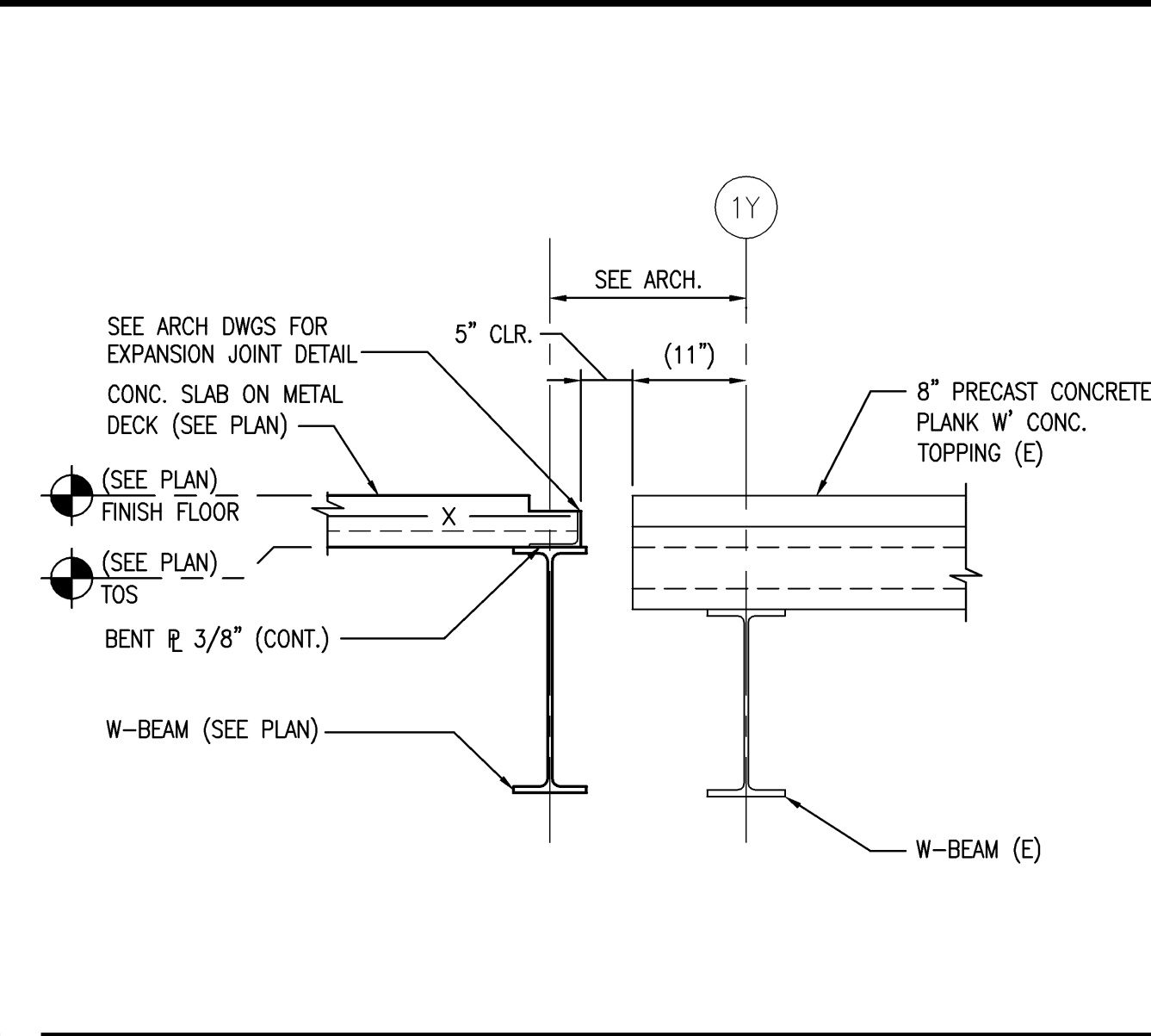
**SECTION**  
SCALE: 3/4" = 1'-0"  
S02.03.03 **16**



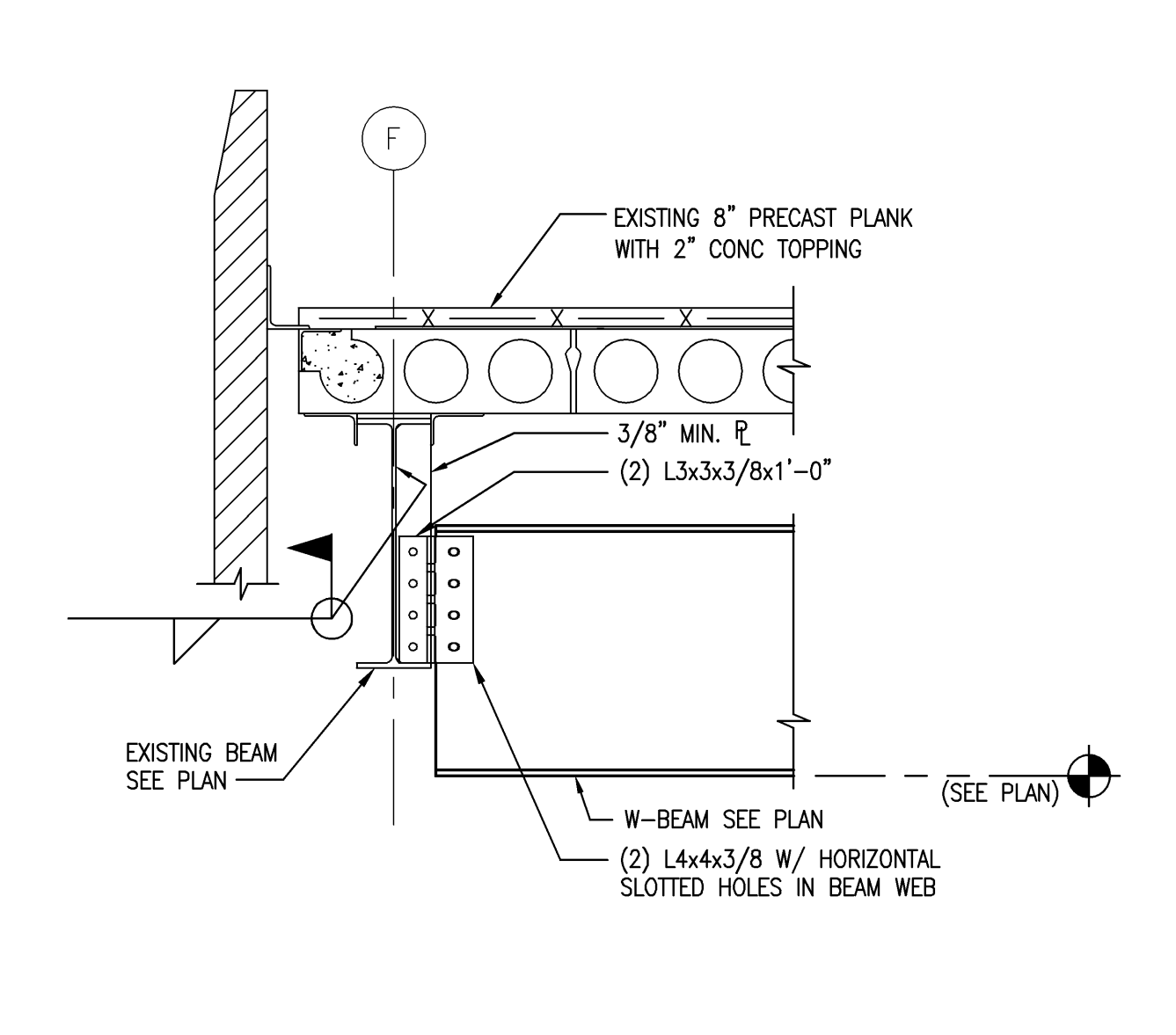
**SECTION**  
SCALE: 3/4" = 1'-0"  
S08.01 **11**



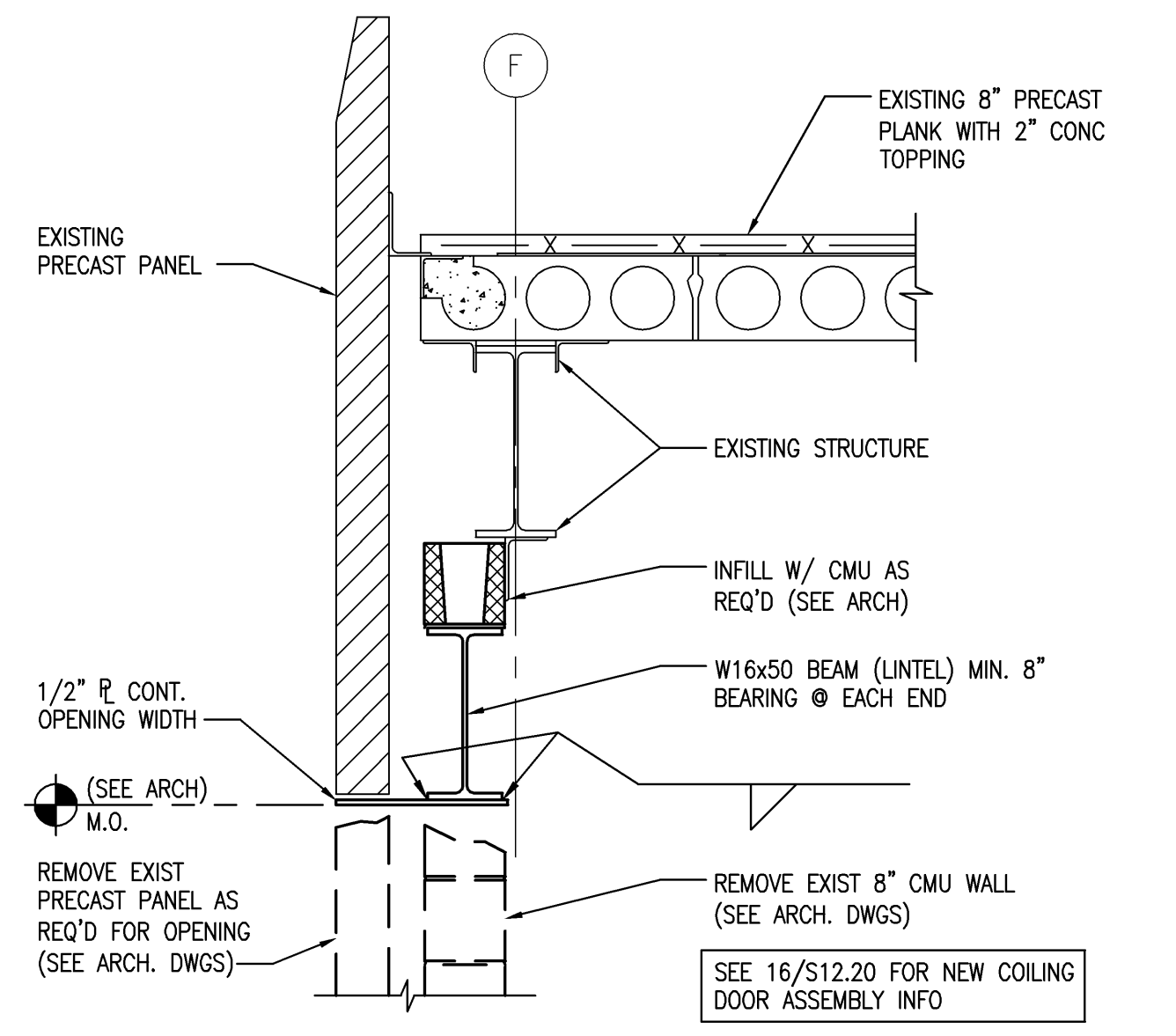
**SECTION**  
SCALE: 3/4" = 1'-0"  
S02.03.05, S02.03.07 **10**



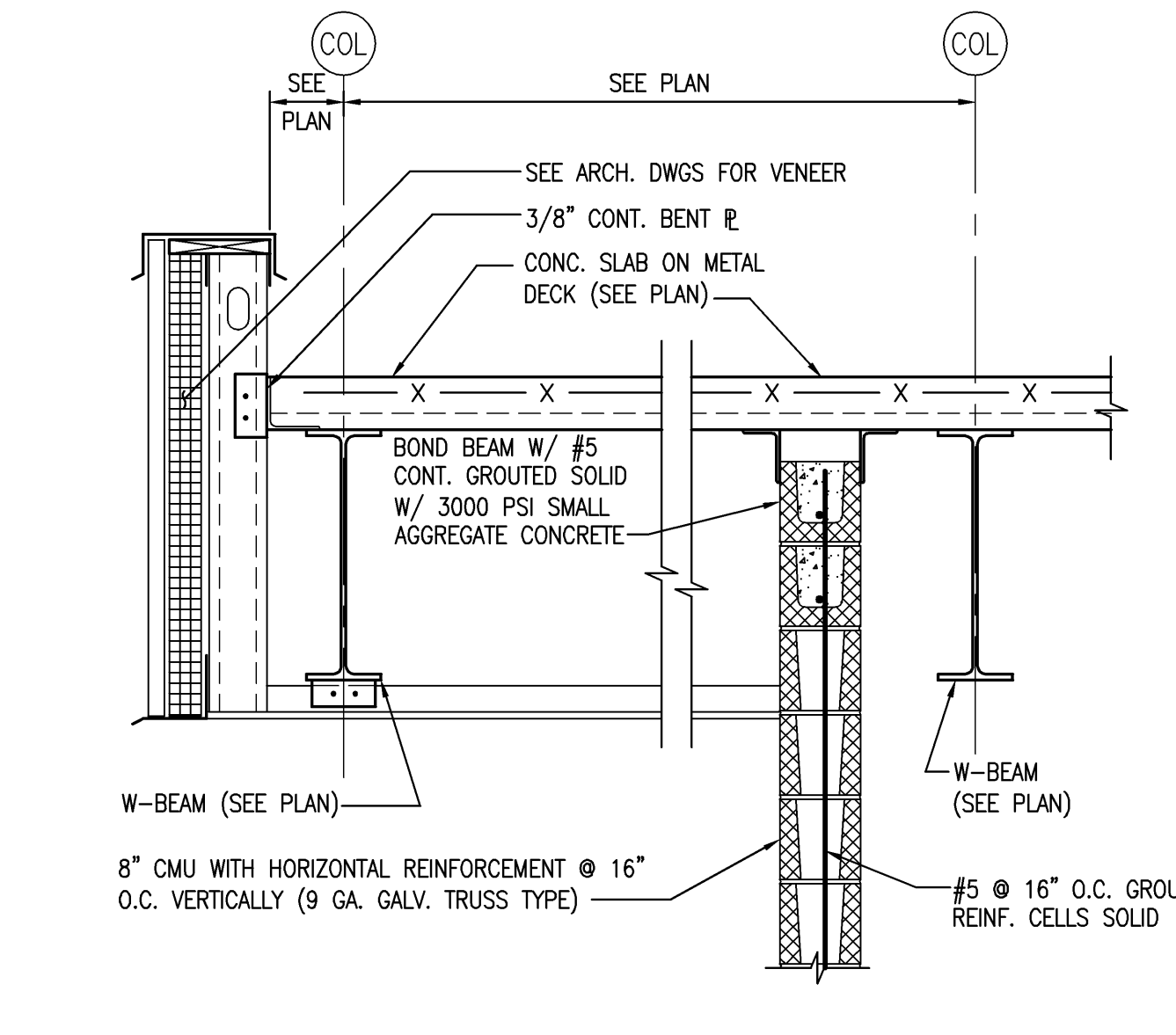
**SECTION**  
SCALE: 3/4" = 1'-0"  
S02.03.04 **1**



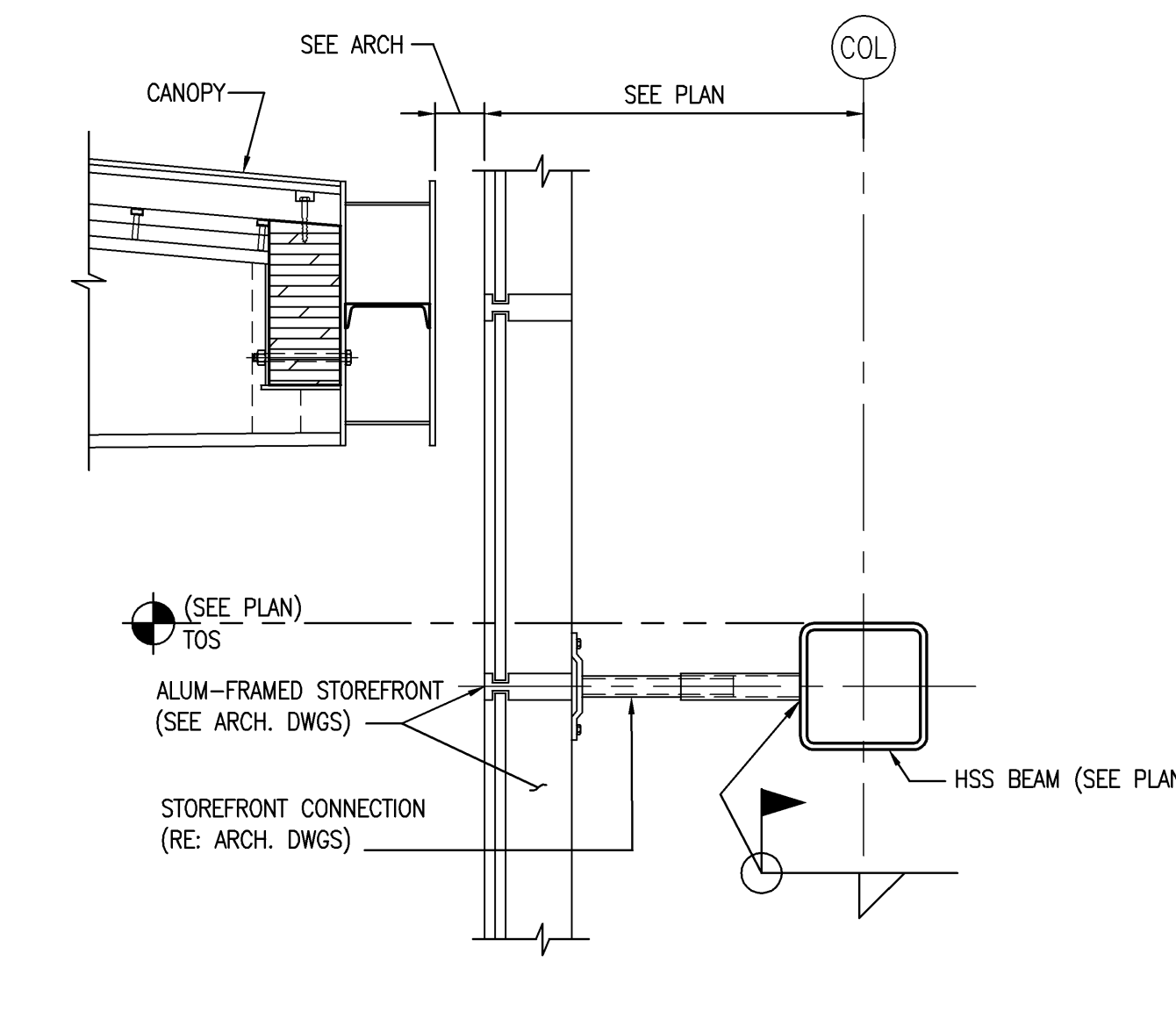
**SECTION**  
SCALE: 3/4" = 1'-0"  
S02.03.03, S02.03.04 **22**



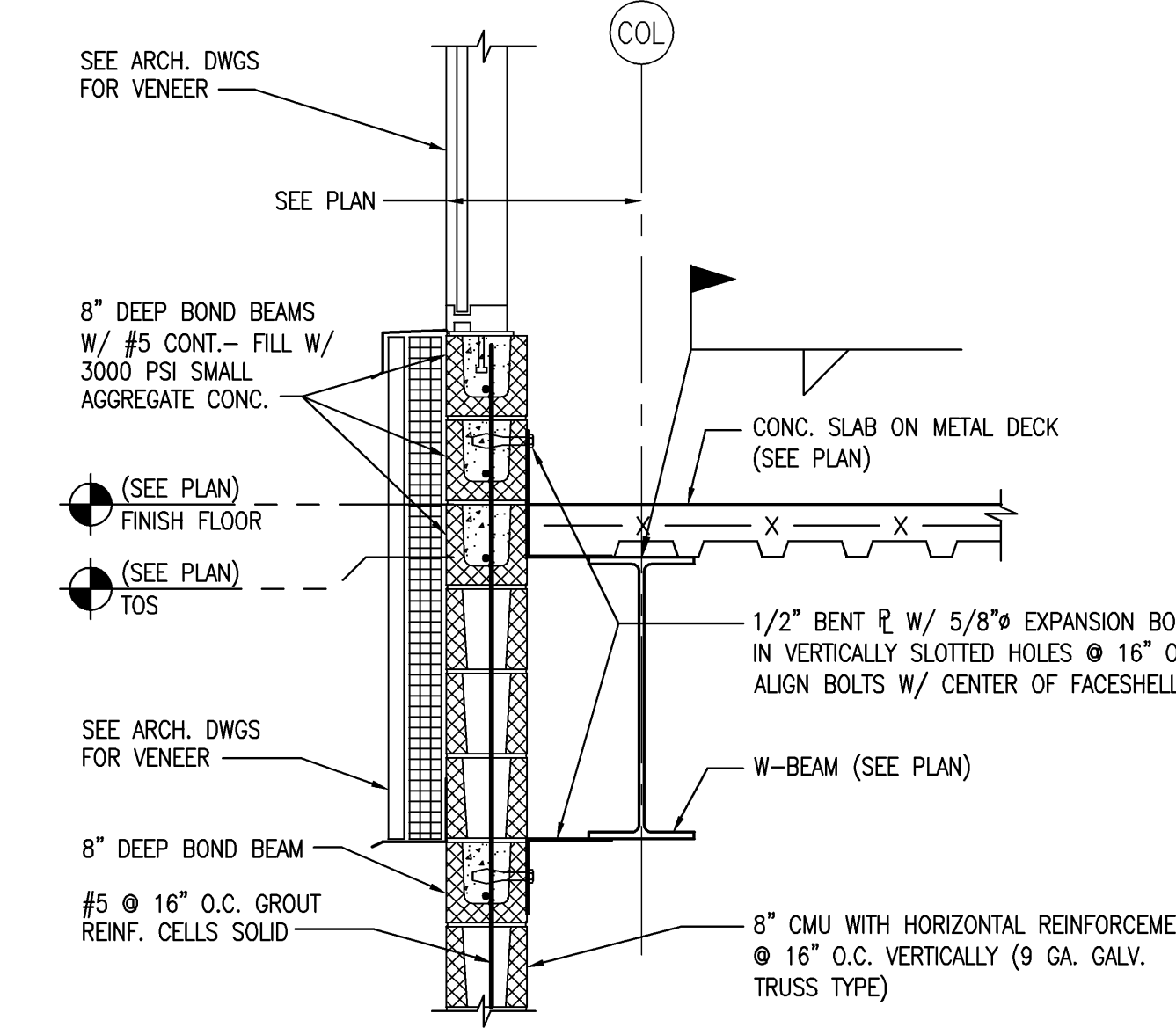
**SECTION**  
SCALE: 3/4" = 1'-0"  
S02.03.03 **17**



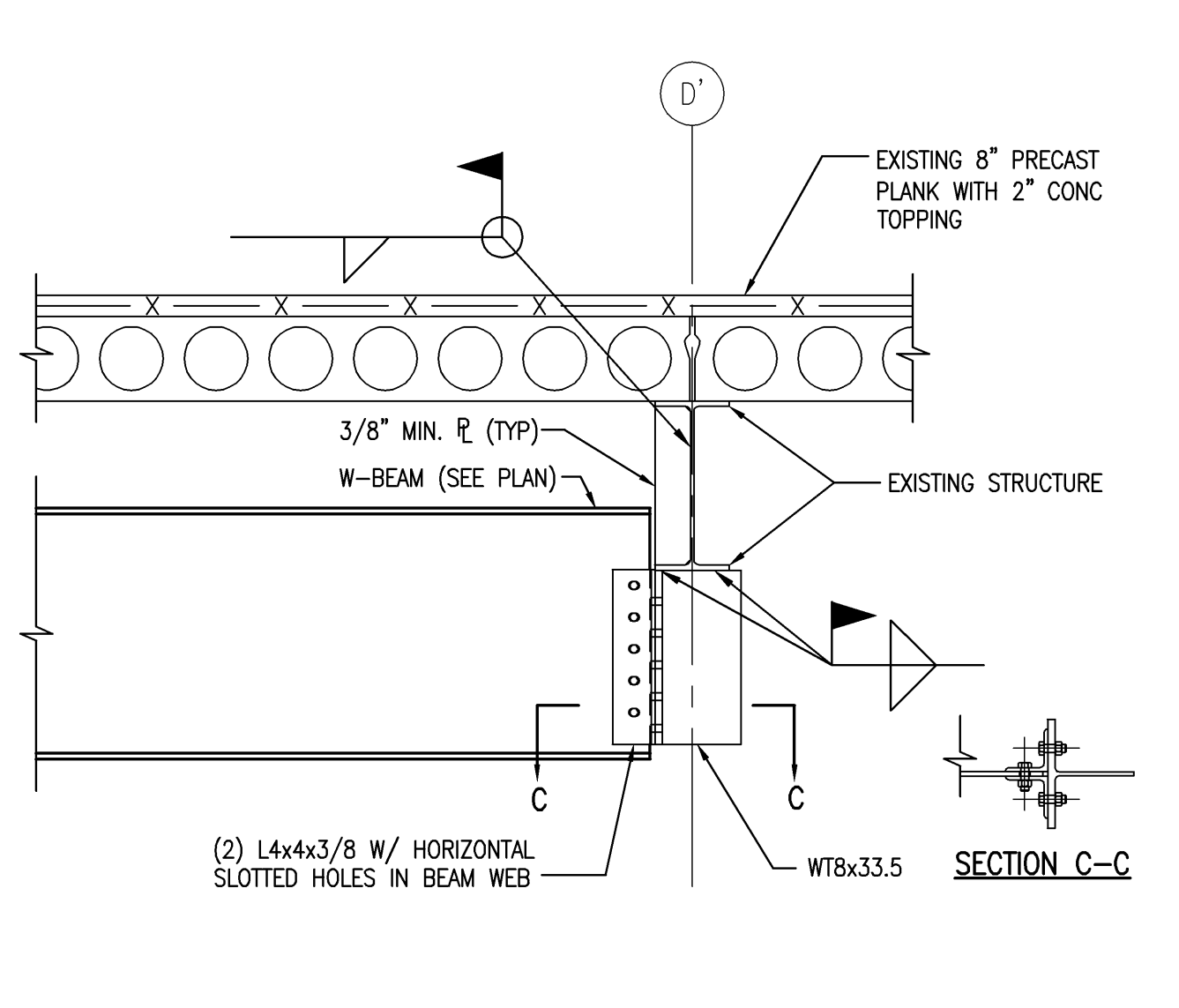
**SECTION**  
SCALE: 3/4" = 1'-0"  
S02.03.05, S02.03.07 **12**



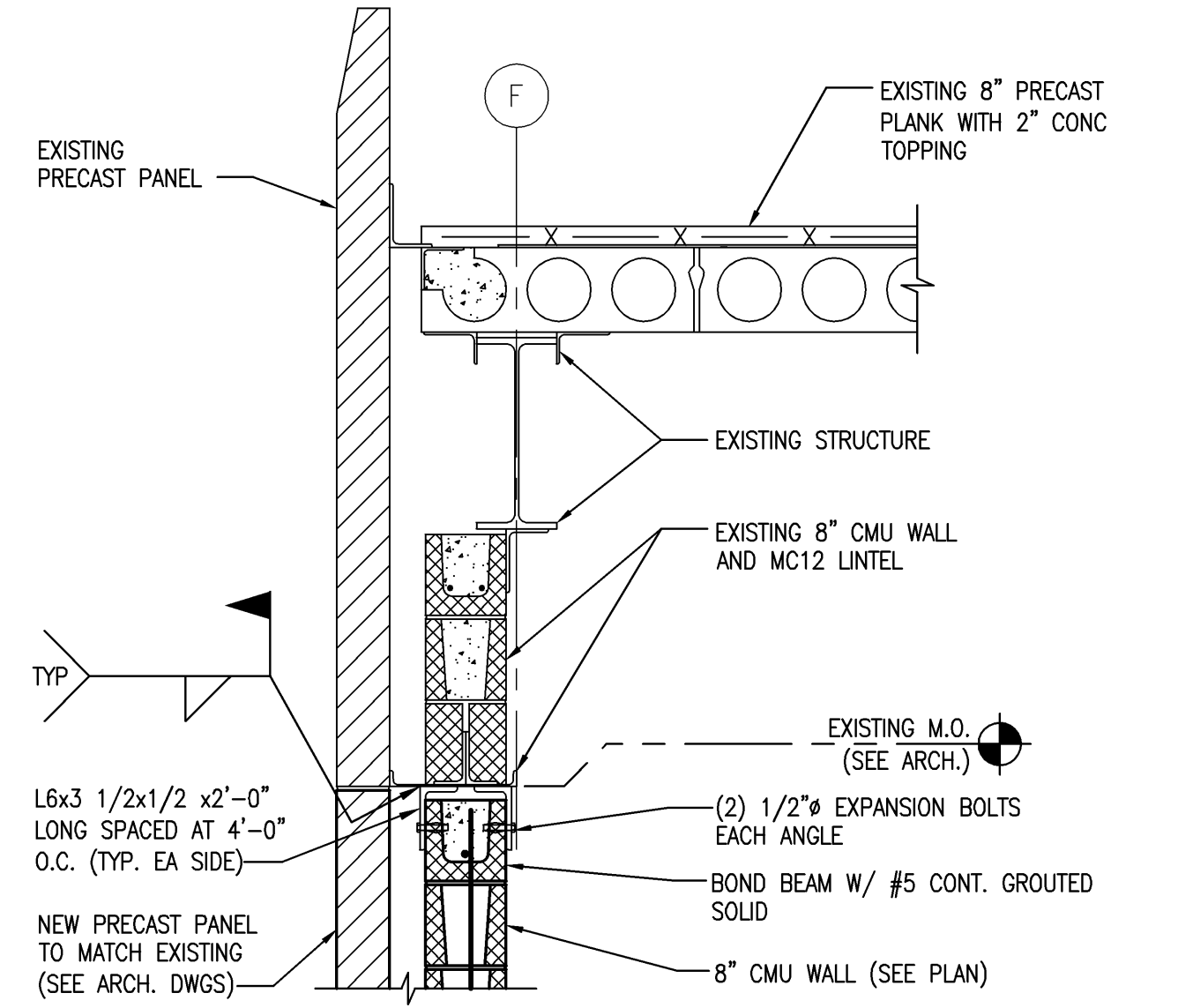
**SECTION**  
SCALE: 3/4" = 1'-0"  
S02.03.05 **7**



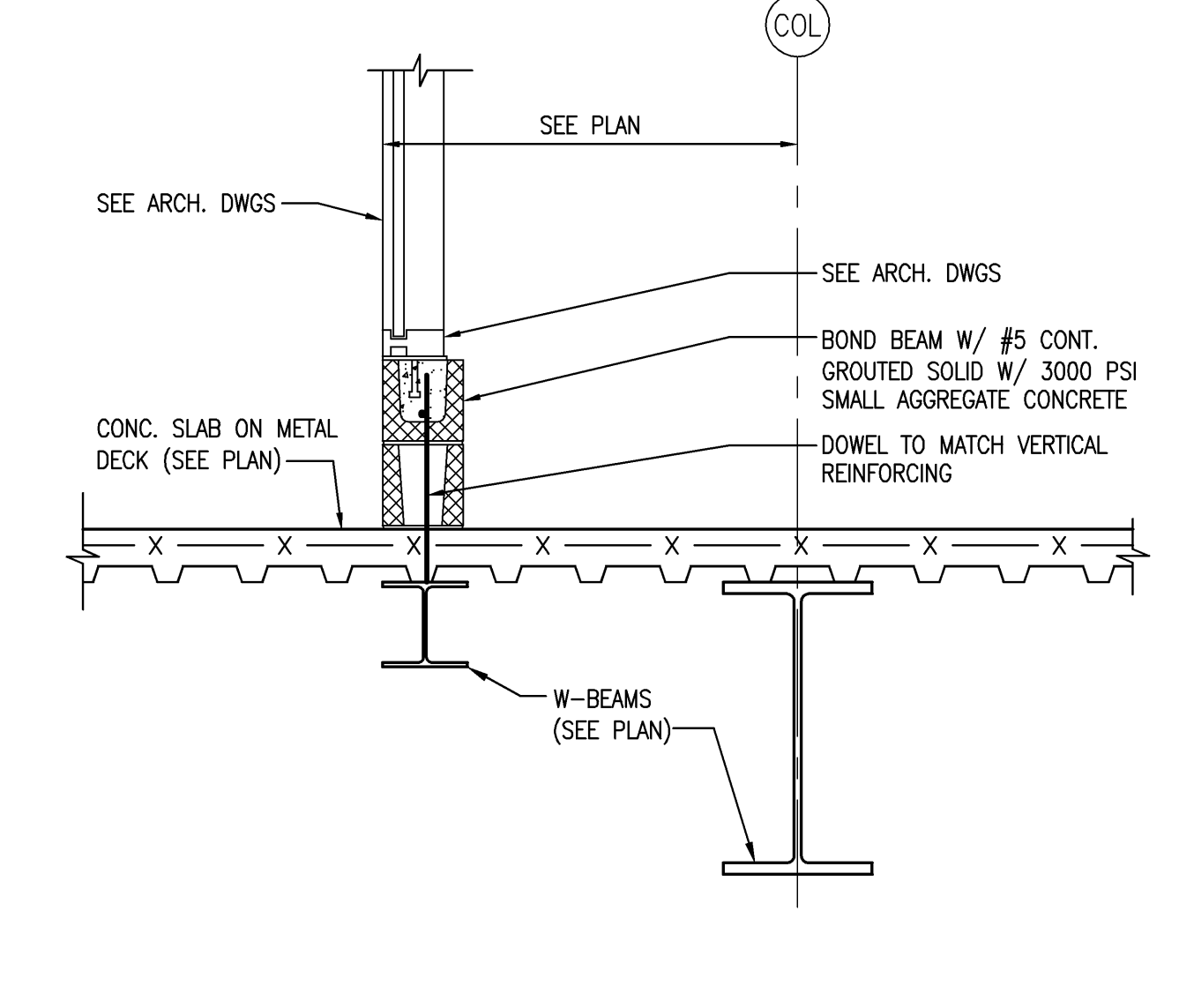
**SECTION**  
SCALE: 3/4" = 1'-0"  
S02.03.04, S02.03.05 **2**



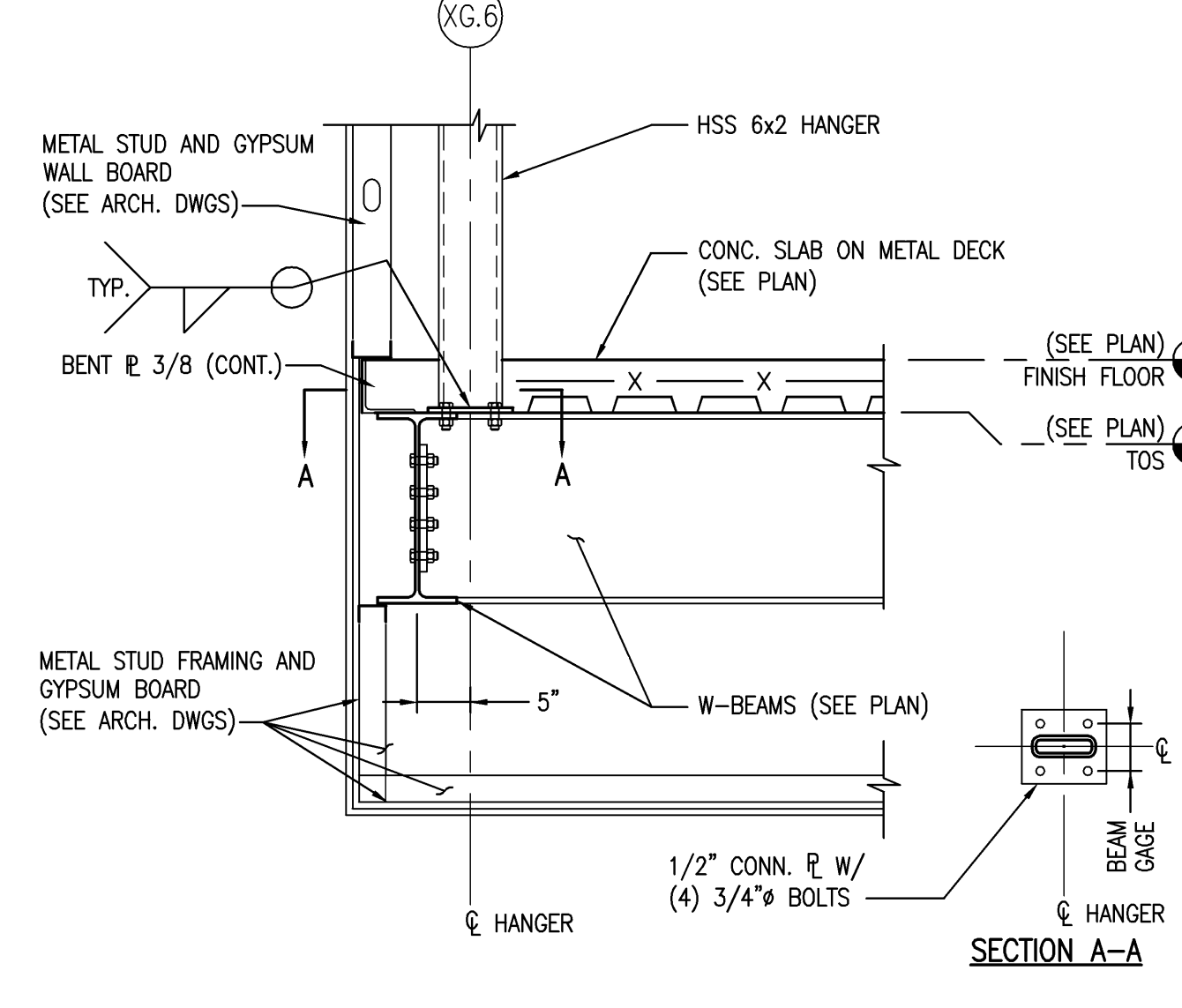
**SECTION**  
SCALE: 3/4" = 1'-0"  
S02.03.03, S02.03.04 **23**



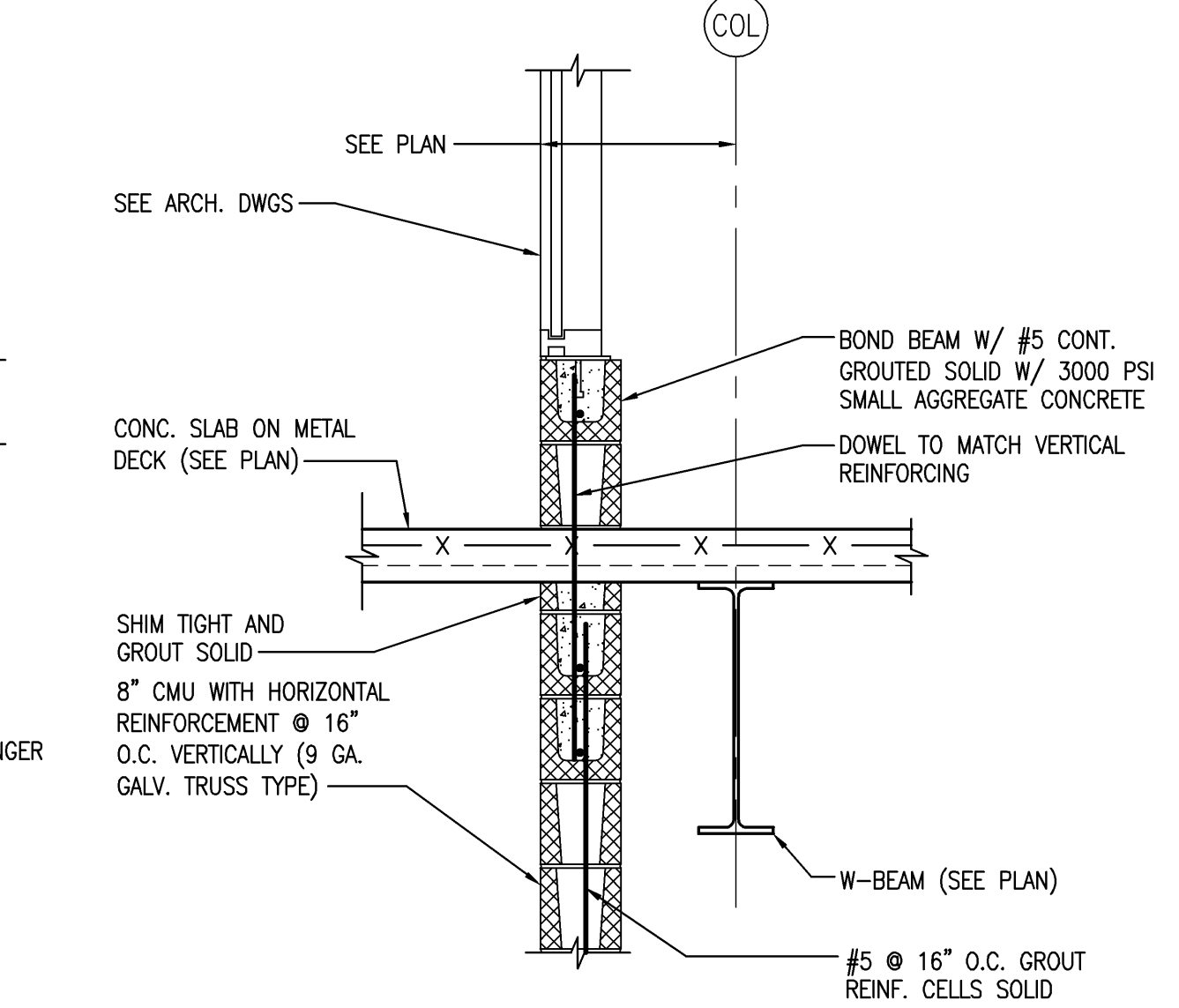
**SECTION**  
SCALE: 3/4" = 1'-0"  
S02.03.03, S02.03.04 **18**



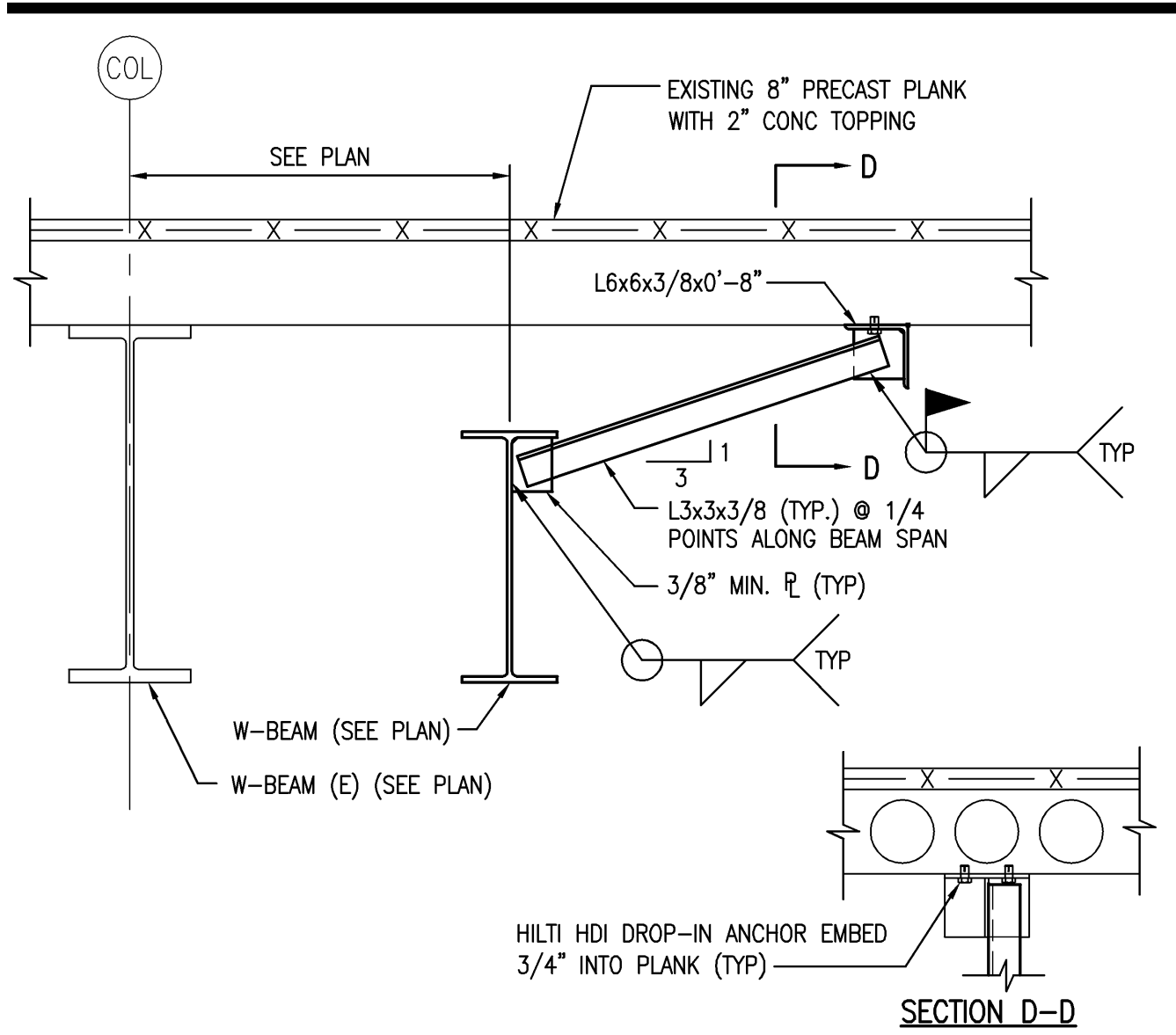
**SECTION**  
SCALE: 3/4" = 1'-0"  
S02.03.05 **13**



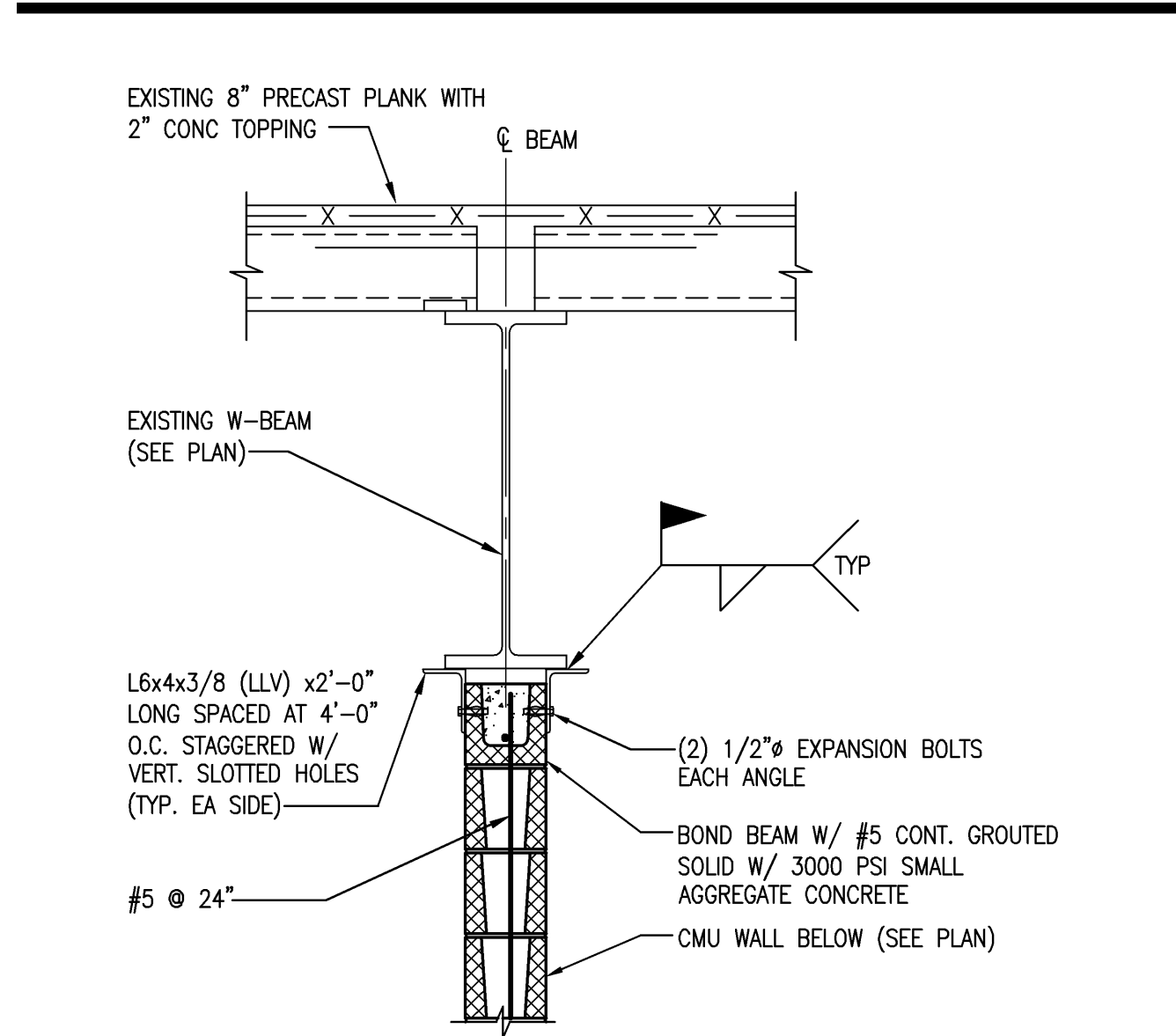
**SECTION**  
SCALE: 3/4" = 1'-0"  
S02.03.05 **8**



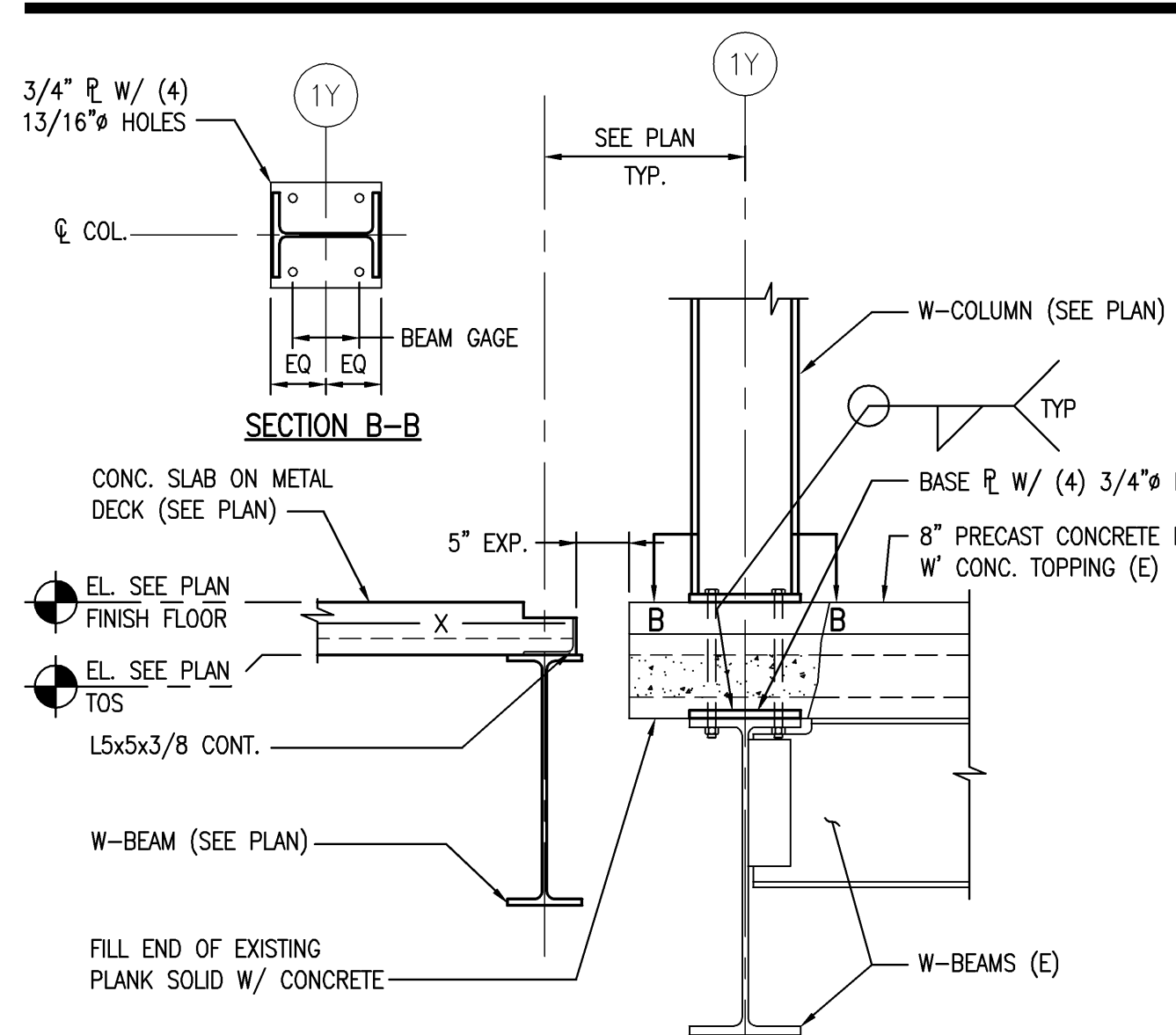
**SECTION**  
SCALE: 3/4" = 1'-0"  
S02.03.05 **3**



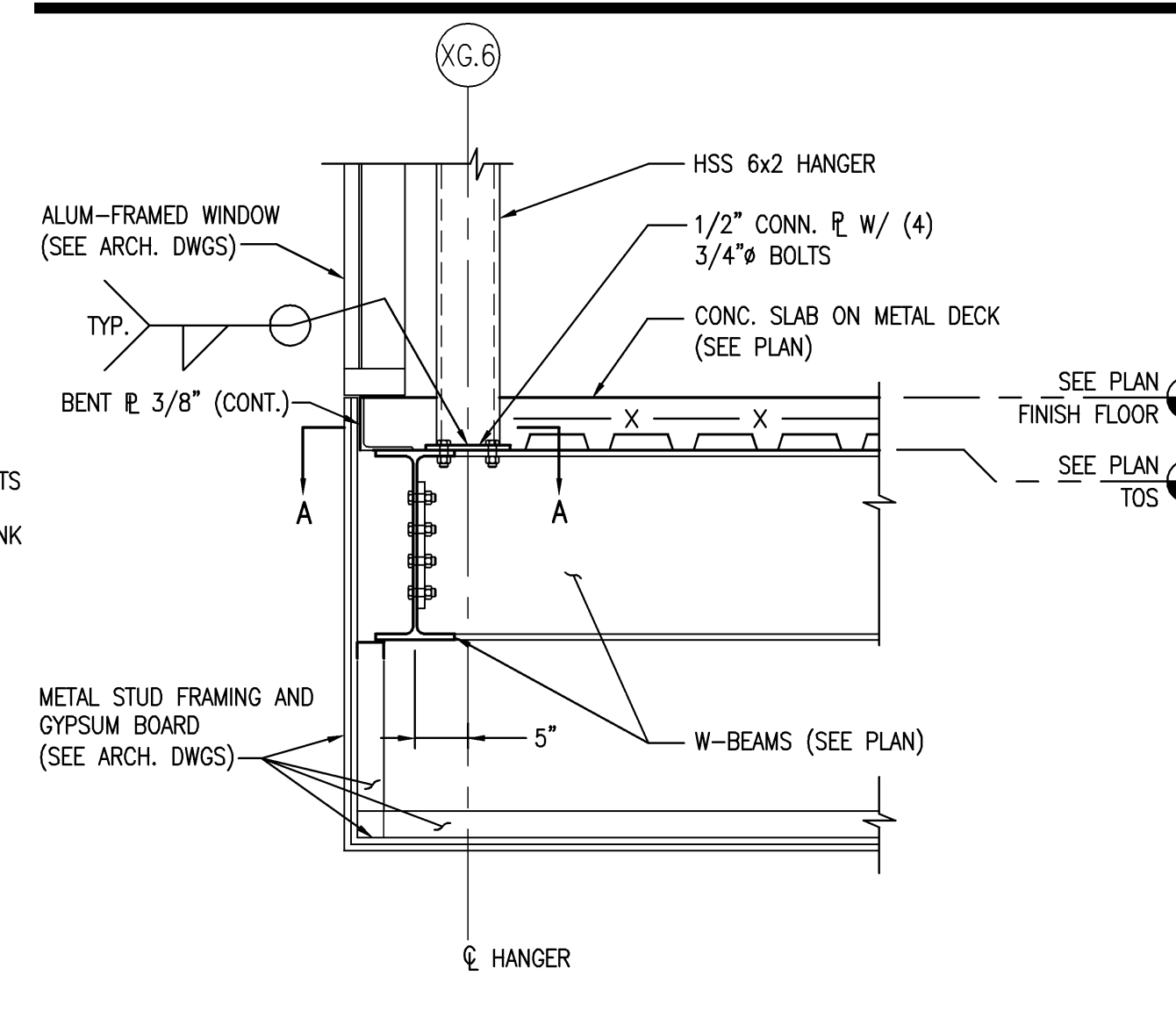
**SECTION**  
SCALE: 3/4" = 1'-0"  
S02.03.03, S02.03.04 **24**



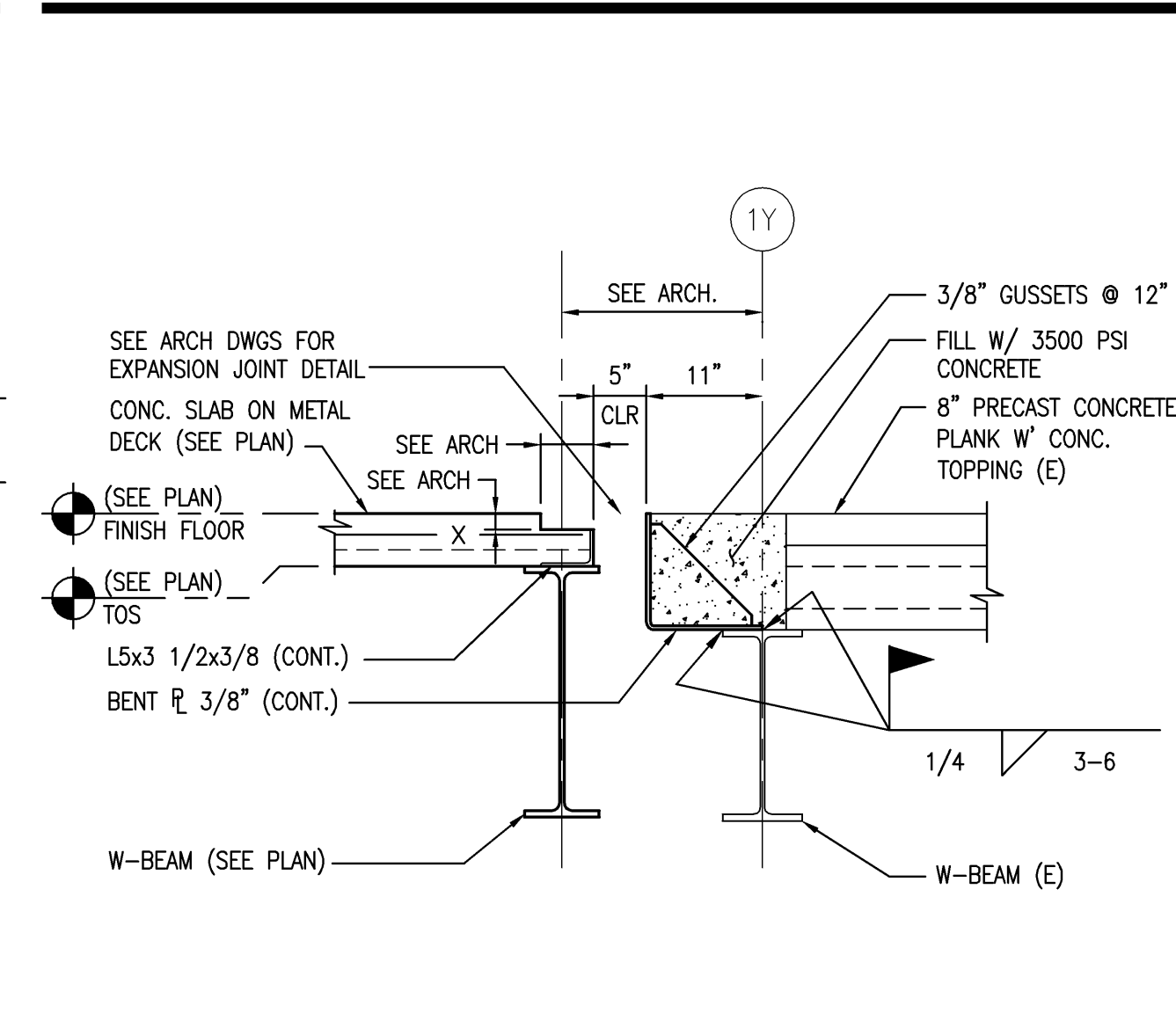
**SECTION**  
SCALE: 3/4" = 1'-0"  
S02.03.03 **19**



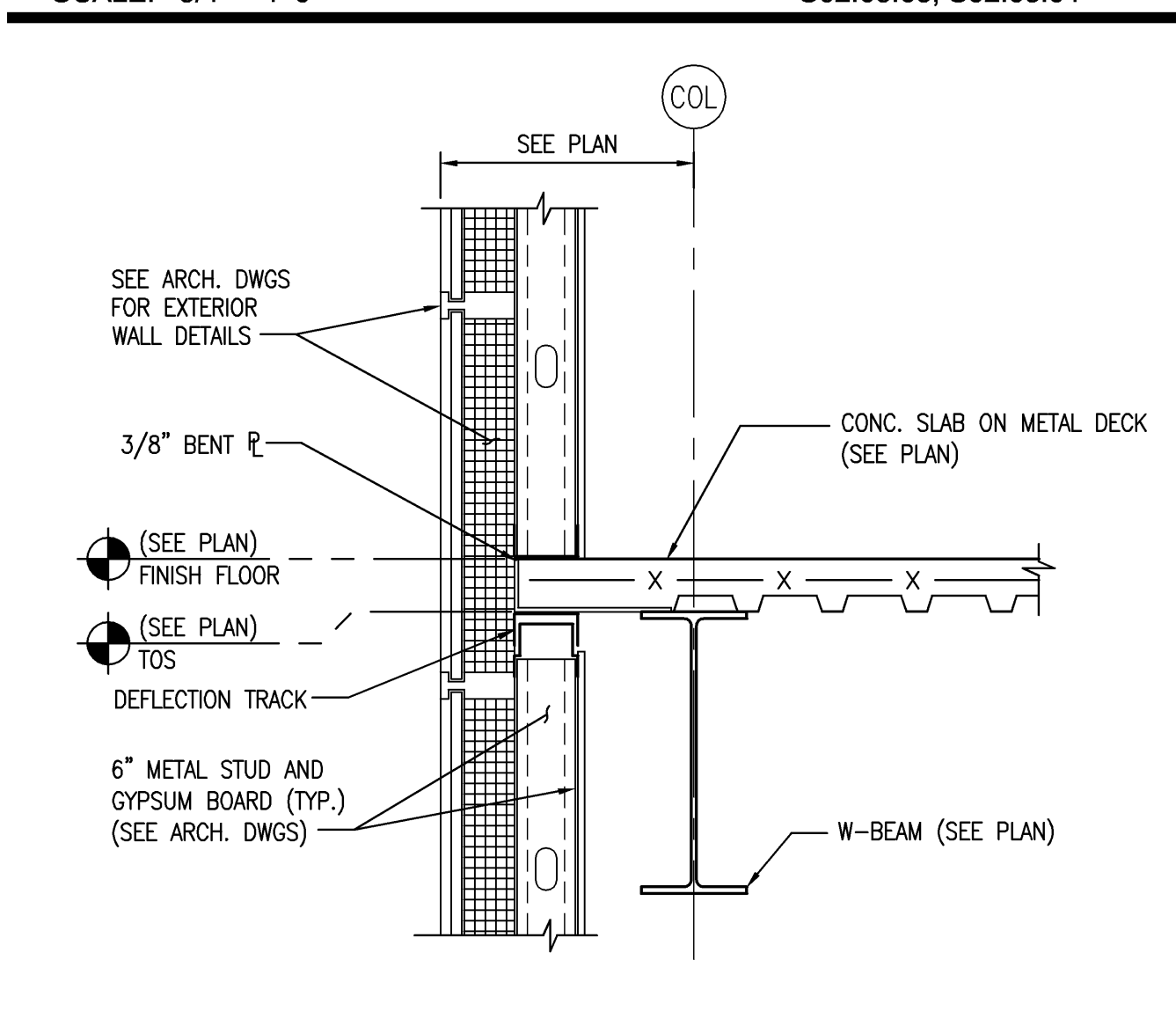
**SECTION**  
SCALE: 3/4" = 1'-0"  
S02.03.04 **14**



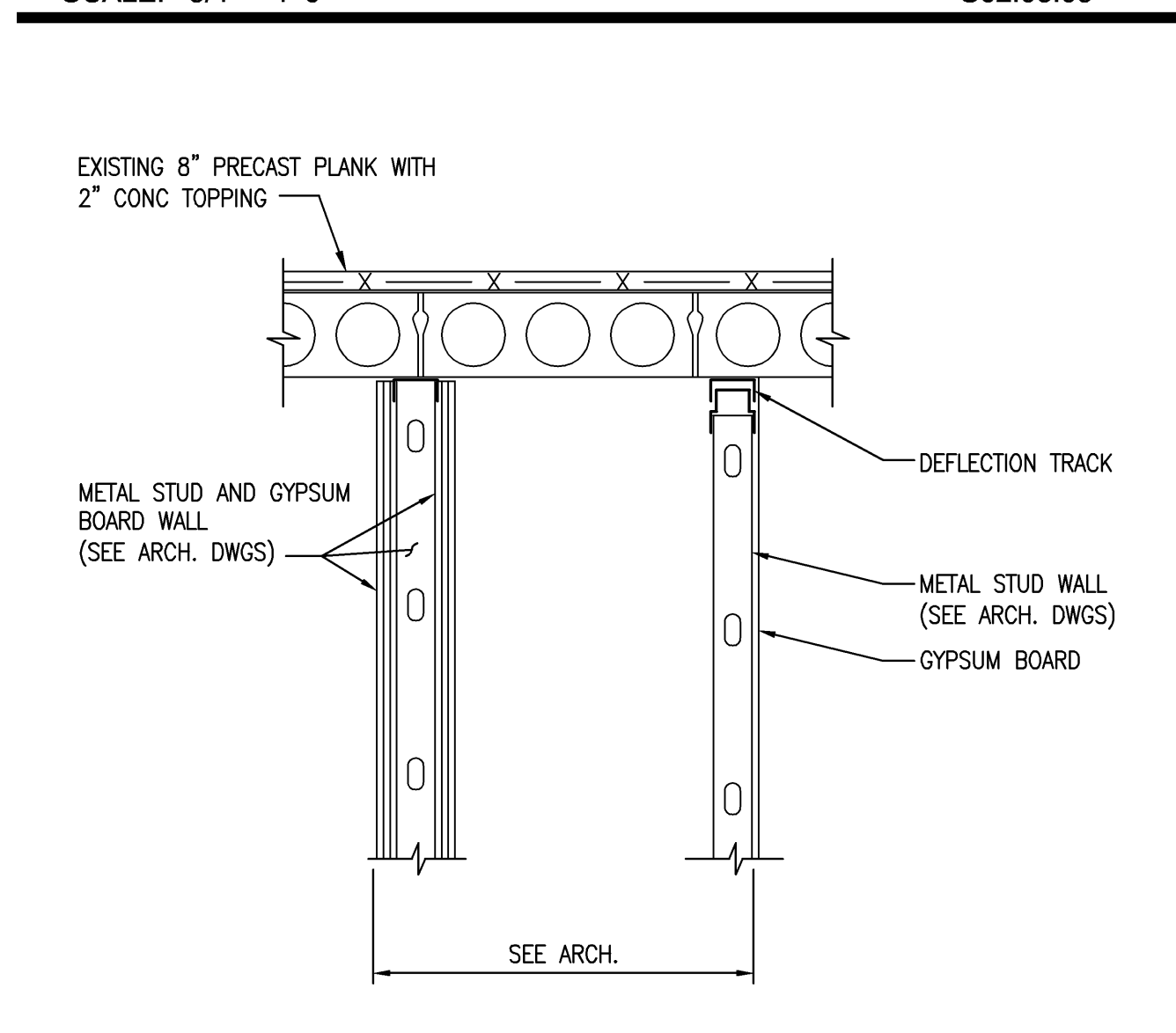
**SECTION**  
SCALE: 3/4" = 1'-0"  
S02.03.04, S02.03.05 **9**



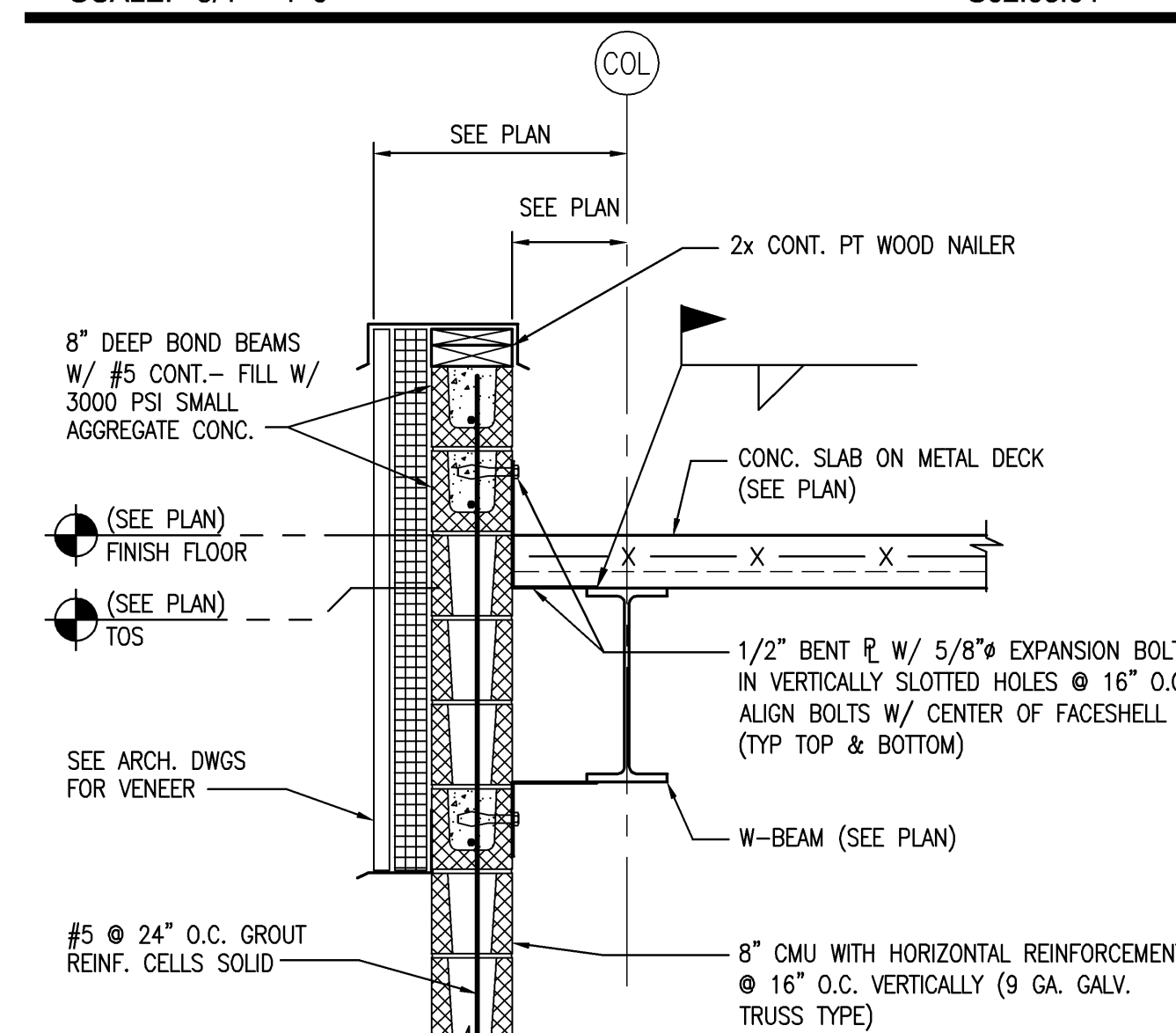
**SECTION**  
SCALE: 3/4" = 1'-0"  
S02.03.05 **4**



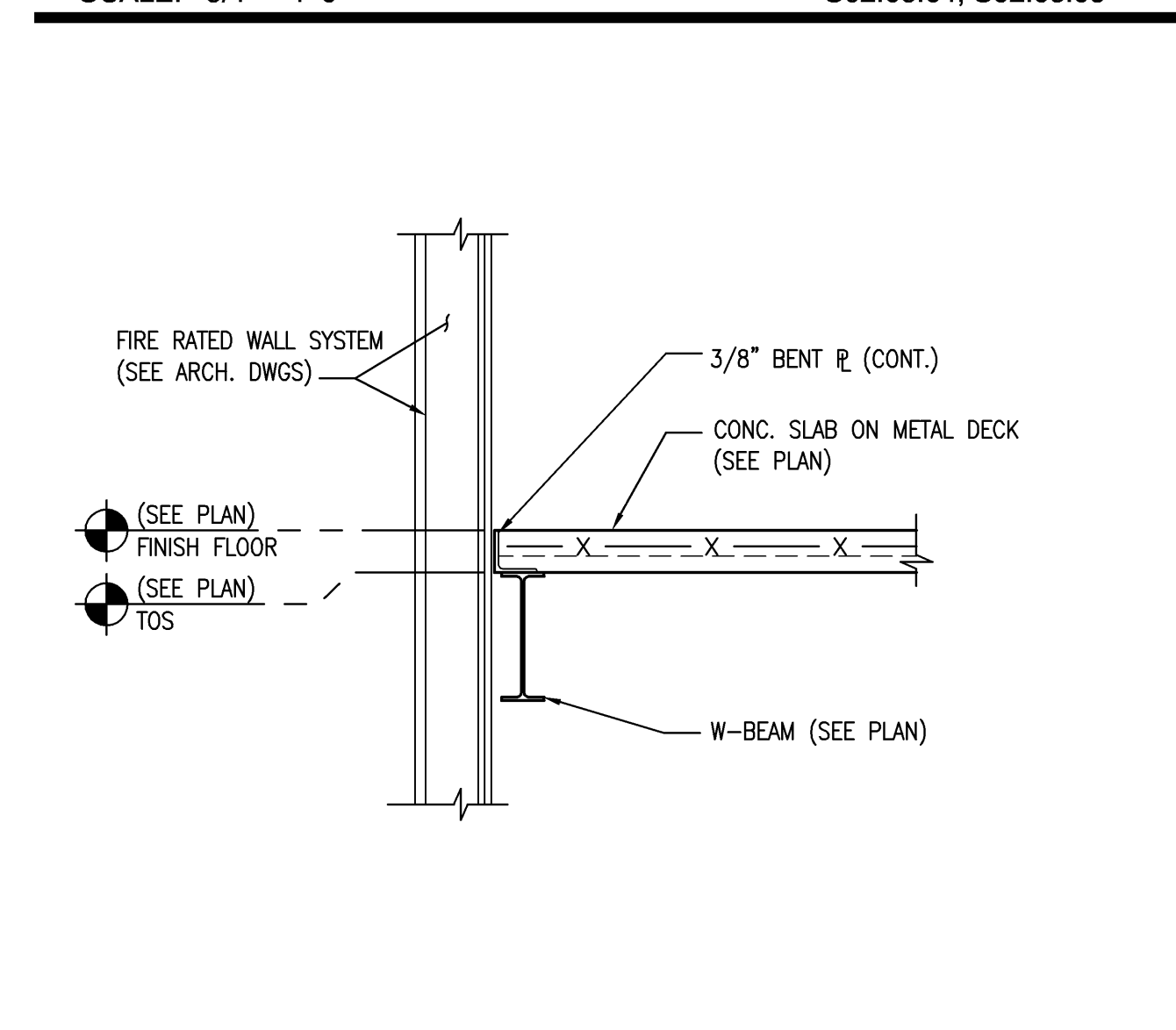
**SECTION**  
SCALE: 3/4" = 1'-0"  
S02.03.04 **25**



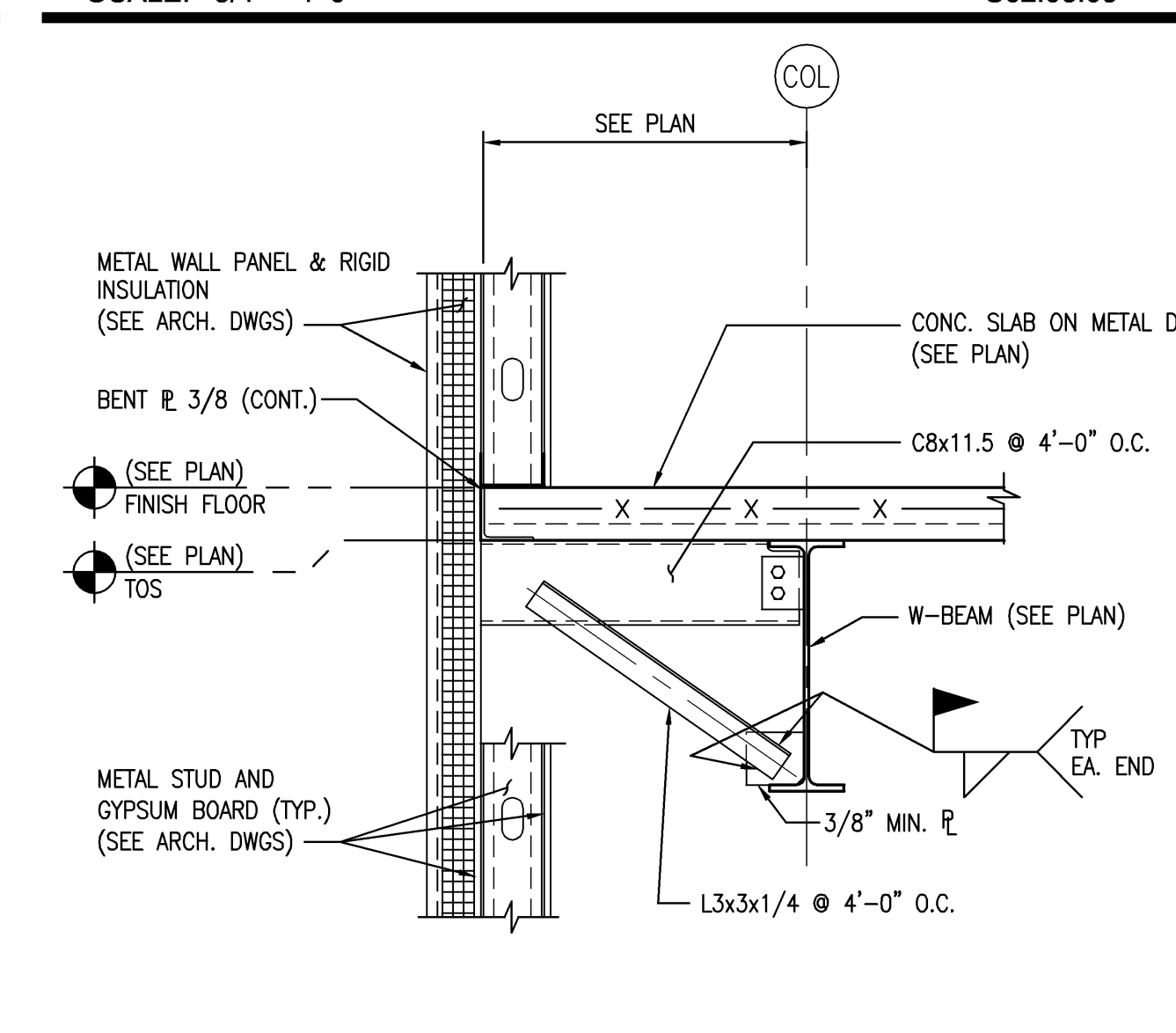
**SECTION**  
SCALE: 3/4" = 1'-0"  
S02.03.03, S02.03.04 **20**



**SECTION**  
SCALE: 3/4" = 1'-0"  
S02.03.05 **15**



**SECTION**  
SCALE: 3/4" = 1'-0"  
S08.01 **10**



**SECTION**  
SCALE: 3/4" = 1'-0"  
S02.03.05, S02.03.07 **5**

**SHEET NOTES**

BLOCK COURSING SHOWN IS A GRAPHIC REPRESENTATION ONLY AND IS NOT INTENDED FOR CONSTRUCTION. REFERENCE ARCHITECTURAL DRAWINGS FOR COURSING ELEVATION.  
REFERENCE ARCHITECTURAL DRAWINGS FOR ALL INSULATING AND WATERPROOFING REQUIREMENTS.

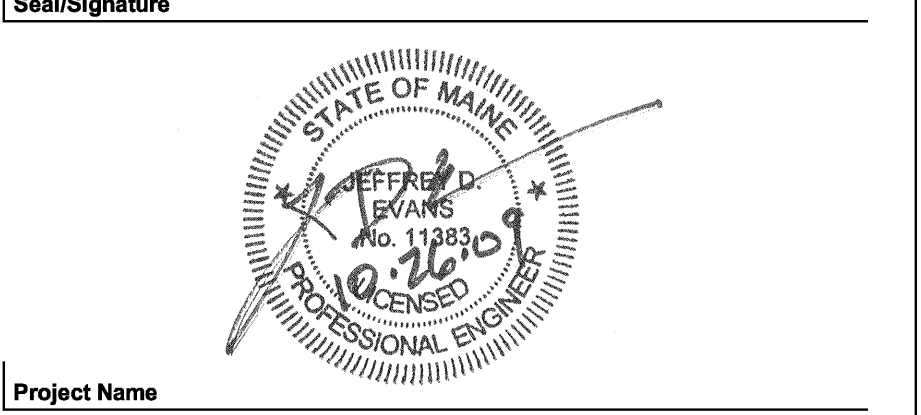
**Portland International Jetport**  
1001 Westbrook Street  
Portland, Maine 04102

**Gensler**

**oest ASSOCIATES, INC.**  
345 Oyster Road, South Portland, ME 04106  
P: (207) 761-7700 F: (207) 774-2841 www.oest.com  
engineers • architects • surveyors • construction managers

2020 K Street, NW  
Suite 200  
Washington, DC 20006  
Telephone 202.721.5200  
Facsimile 202.872.8587

Issue	Date & Issue Description	By	Check
-- 01	09/22/08 DESIGN DEVELOPMENT	JDE	---
-- 02	12/03/08 75% CONSTRUCTION DOCUMENTS	JDE	---
-- 03	01/23/09 95% CONSTRUCTION DOCUMENTS	JDE	---
-- 04	10/26/09 ISSUED FOR PERMIT	JDE	---



Project Name  
PJM Terminal Enhancement

Project Number  
09.8396.000

CAD File Name  
T:\5330101\SHEETS\S12.20.DWG

Description  
FRAMING SECTIONS & DETAILS - LEVEL 3

Scale  
AS NOTED

**S12.20**

©2009 Gensler