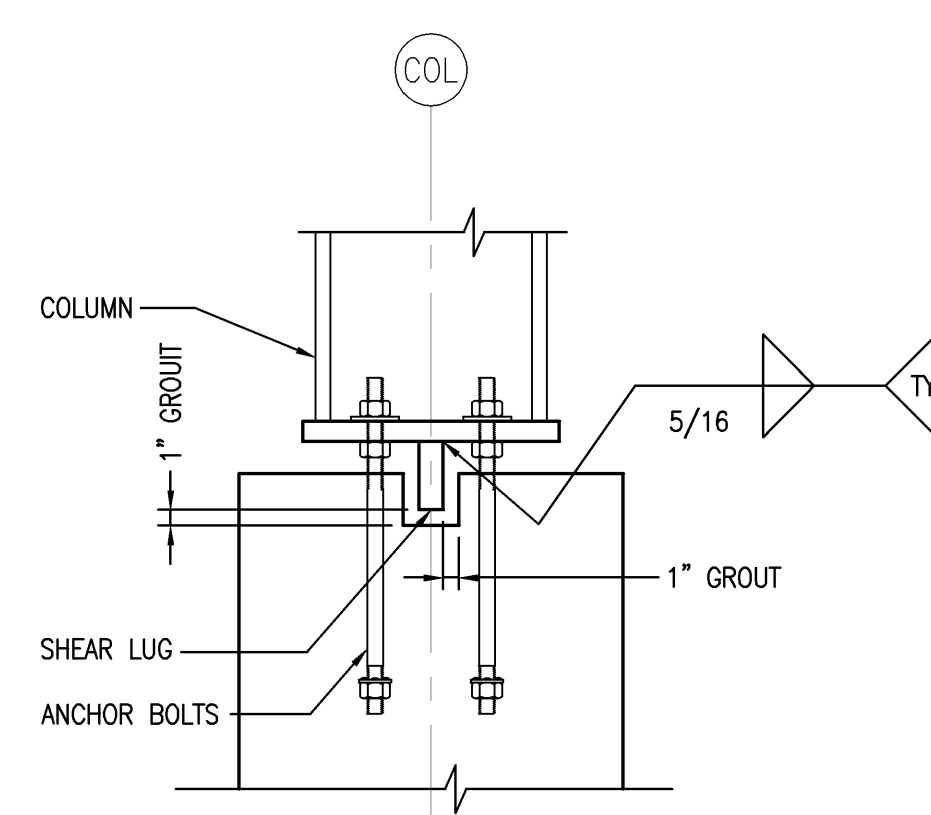
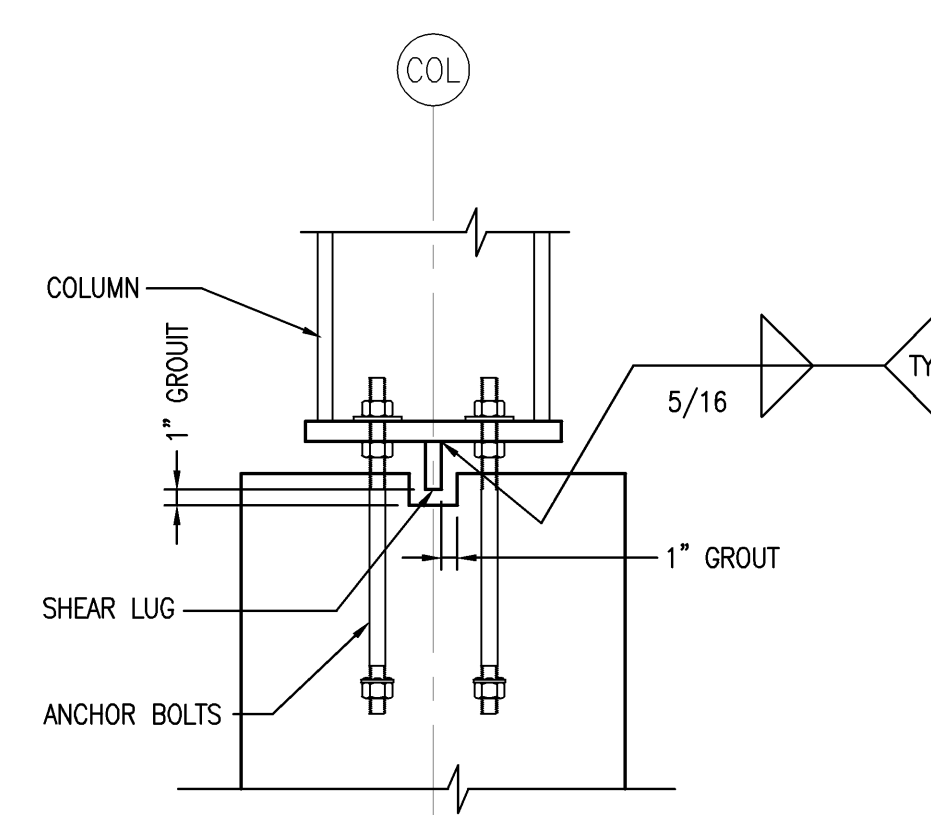


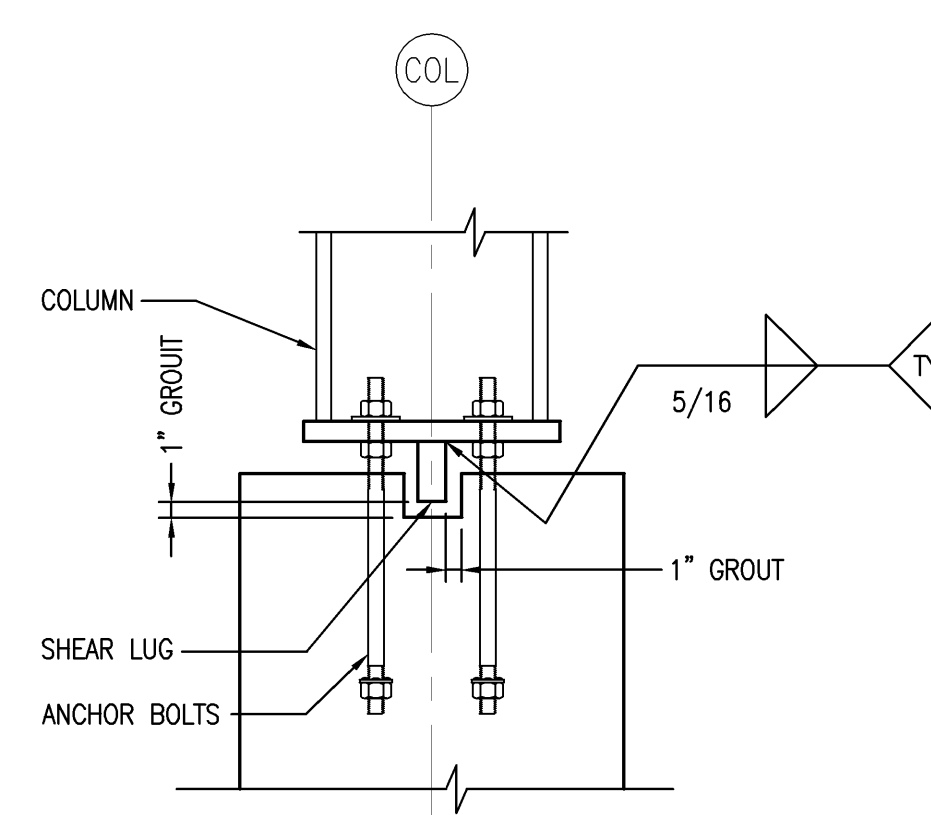
3/4" x 1 3/4" THK x 0'-10" SHEAR LUG



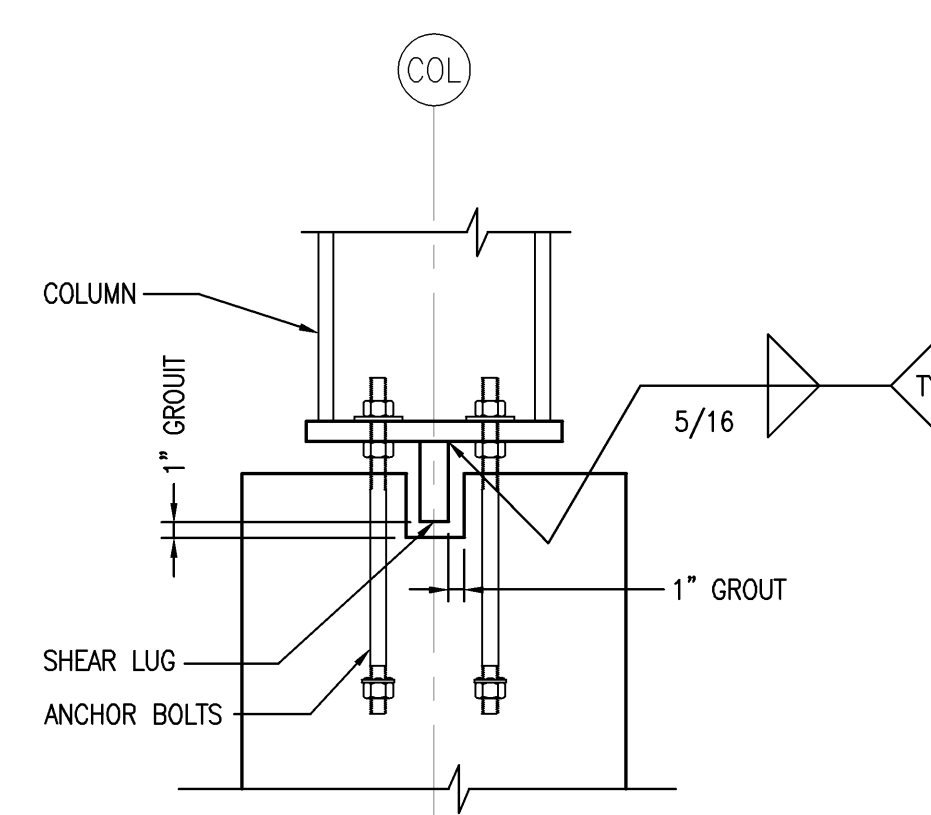
4 1/4" x 1 1/2" THK x 0'-10" SHEAR LUG



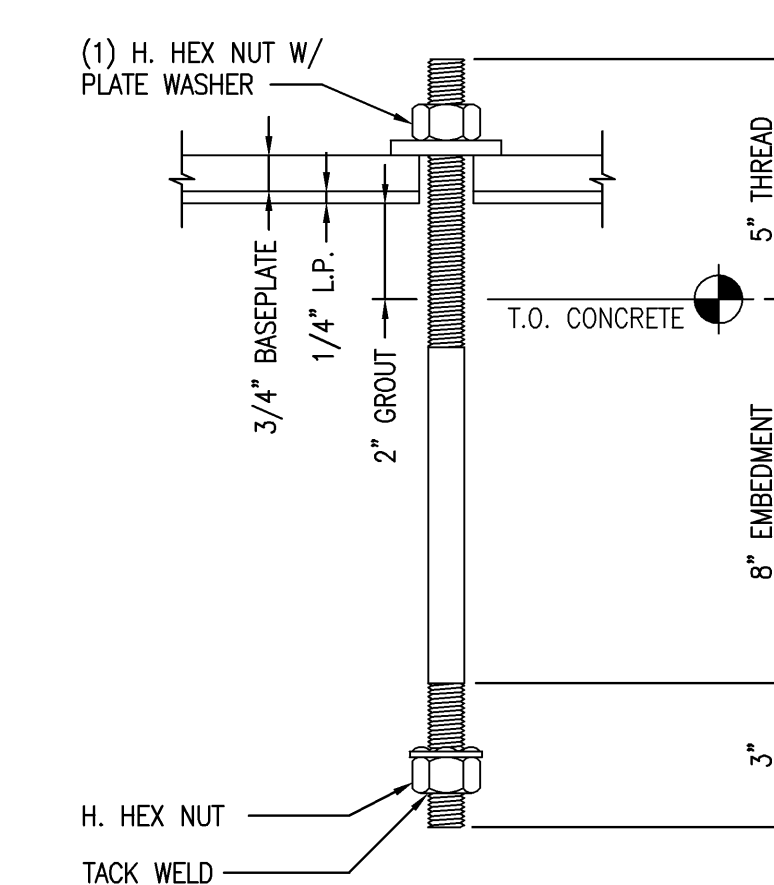
3" x 1" THK x 0'-10" SHEAR LUG



3 3/4" x 1 3/4" THK x 0'-10" SHEAR LUG



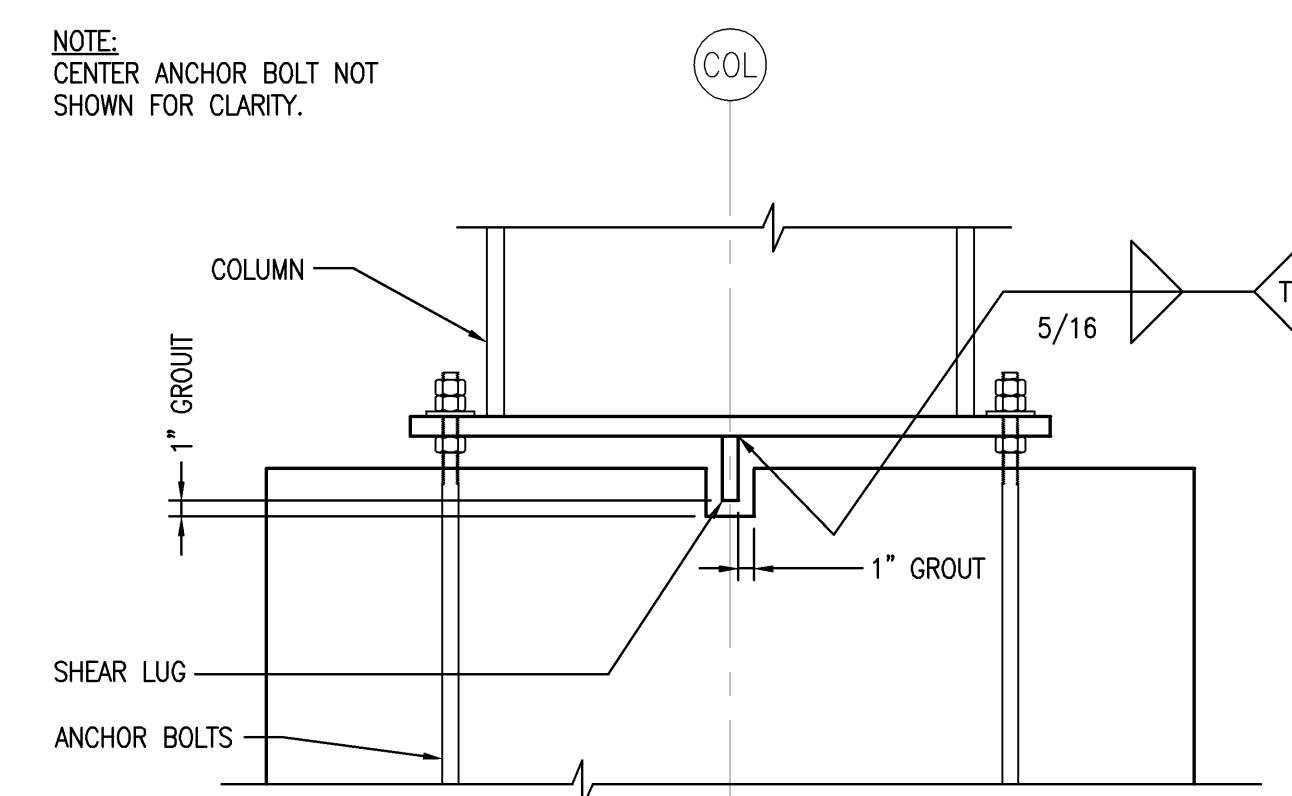
5" x 1 3/4" THK x 0'-10" SHEAR LUG



3/4"Ø ANCHOR RODS

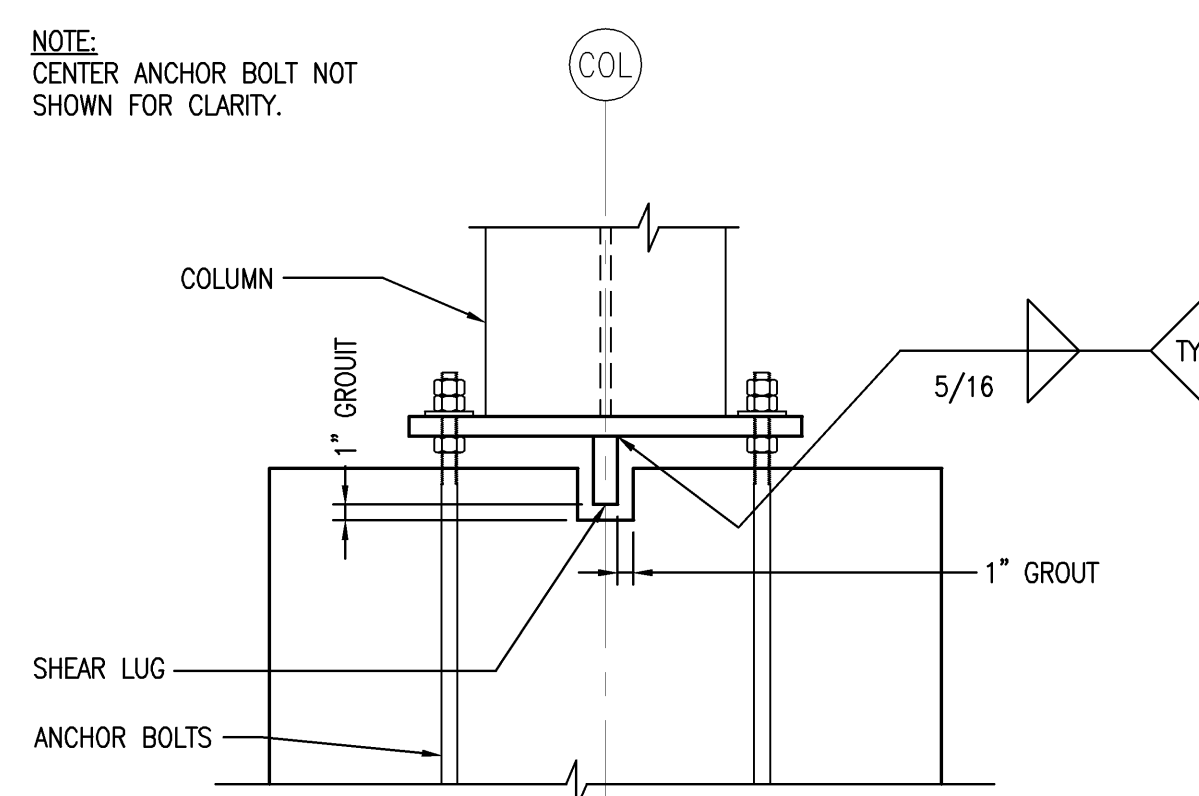
SCALE: 3" = 1'-0"

1



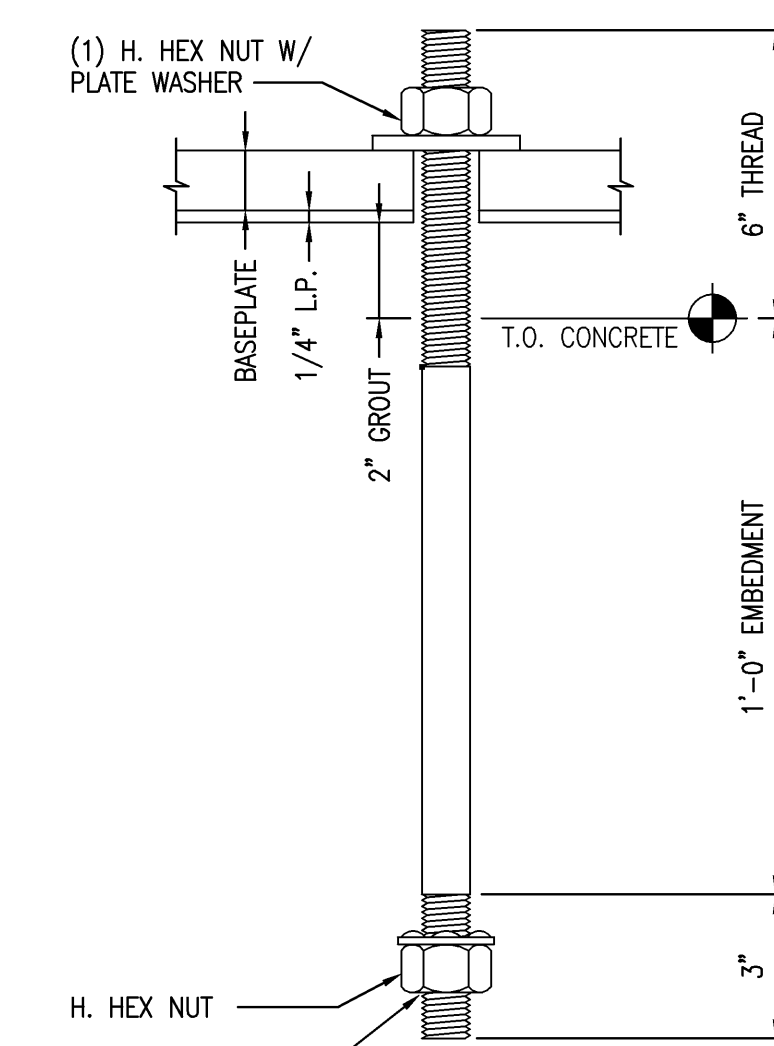
NOTE:  
CENTER ANCHOR BOLT NOT  
SHOWN FOR CLARITY.

4" x 1" THK x 0'-10" SHEAR LUG



NOTE:  
CENTER ANCHOR BOLT NOT  
SHOWN FOR CLARITY.

(2) 4" x 1" THK x 0'-4 1/2" SHEAR LUG



1"Ø ANCHOR RODS

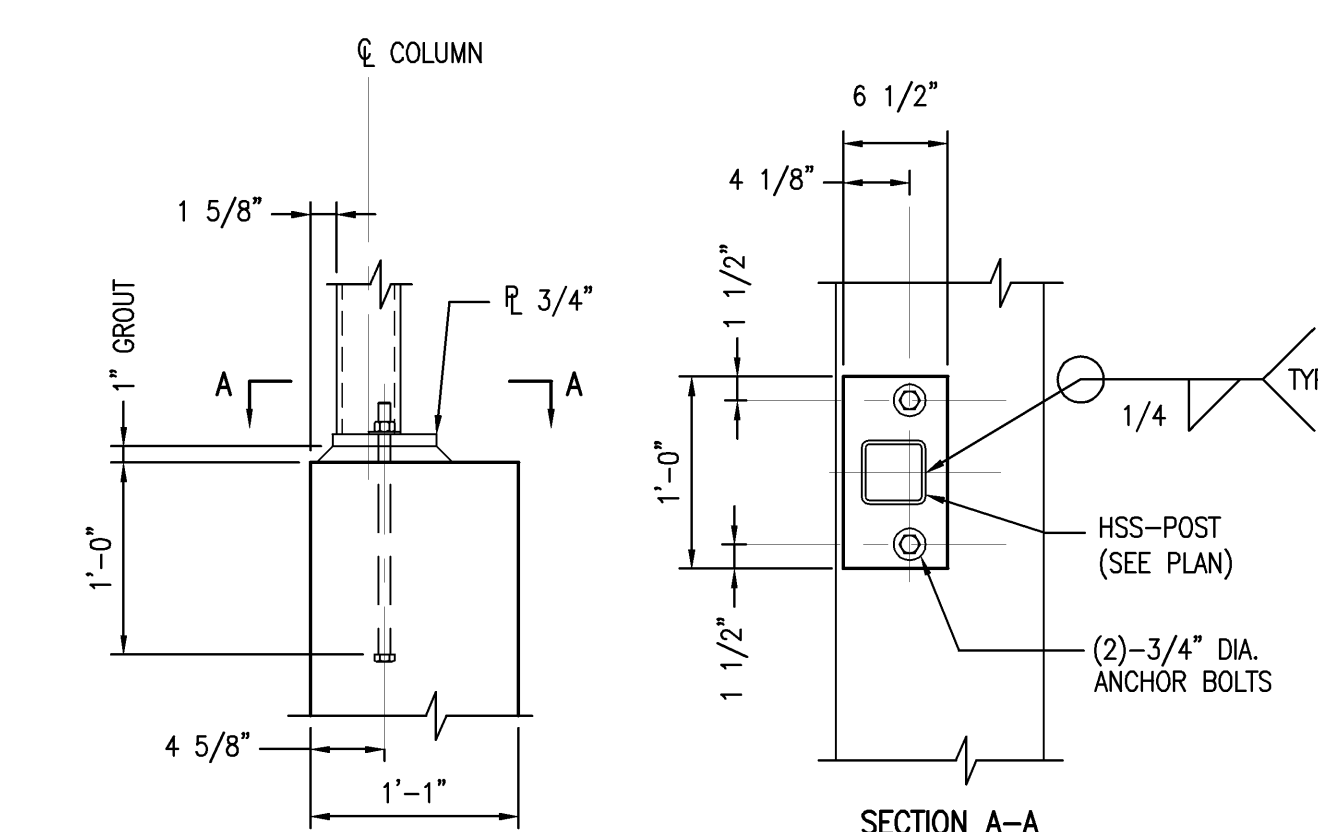
SCALE: 3" = 1'-0"

2

BASE PLATE SECTIONS WITH SHEAR LUGS

SCALE: 1" = 1'-0"

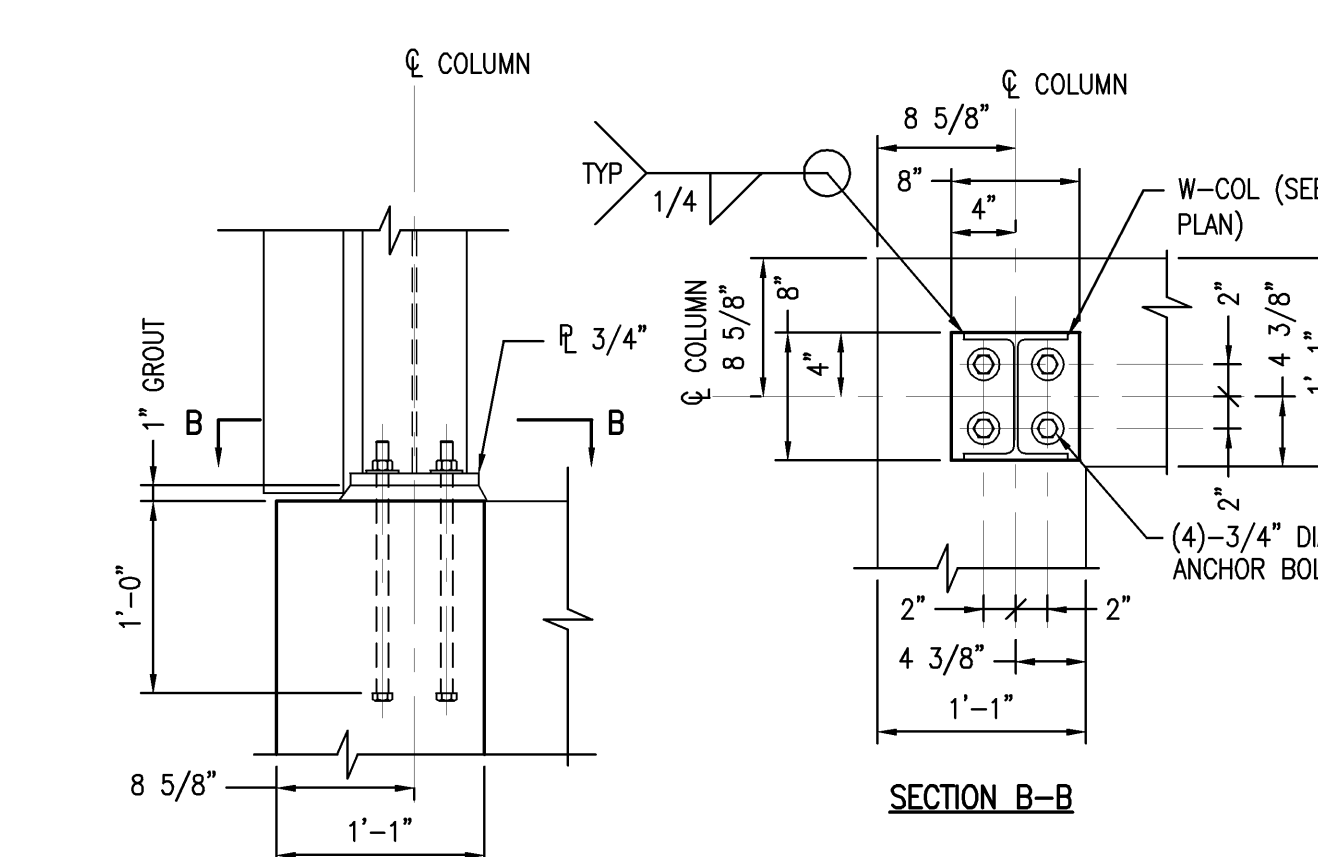
5



SECTION AT ELEVATOR PIT

SCALE: 1" = 1'-0"

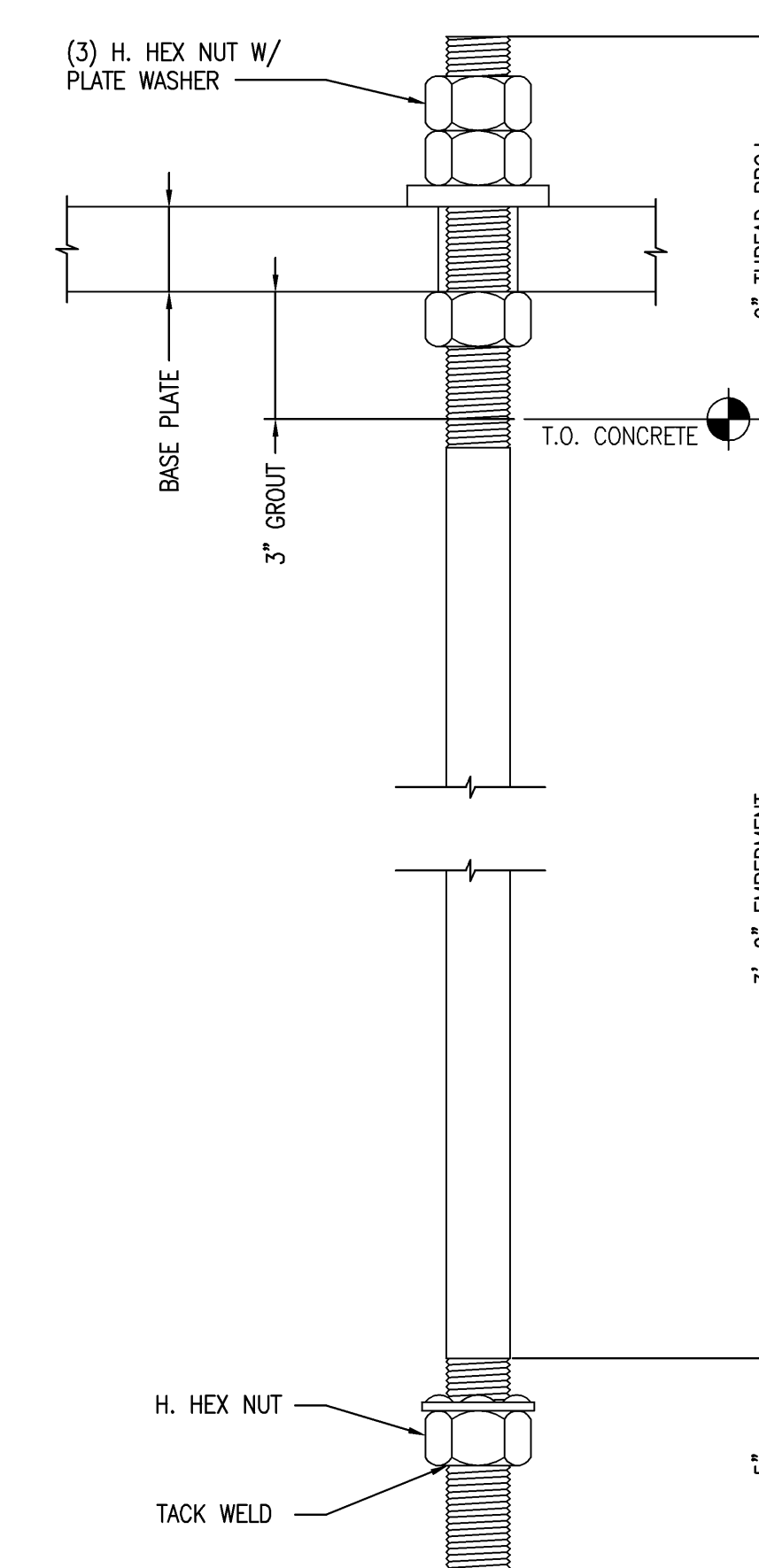
7



SECTION AT ELEVATOR PIT

SCALE: 1" = 1'-0"

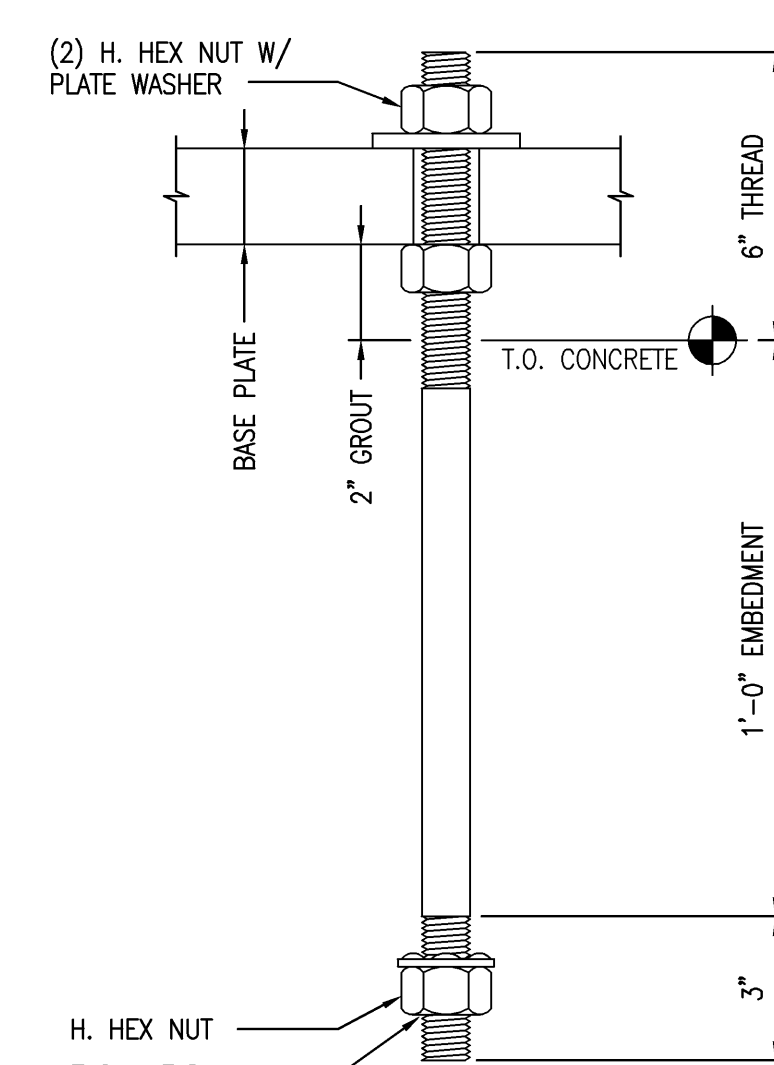
8



1 1/2"Ø ANCHOR RODS

SCALE: 3" = 1'-0"

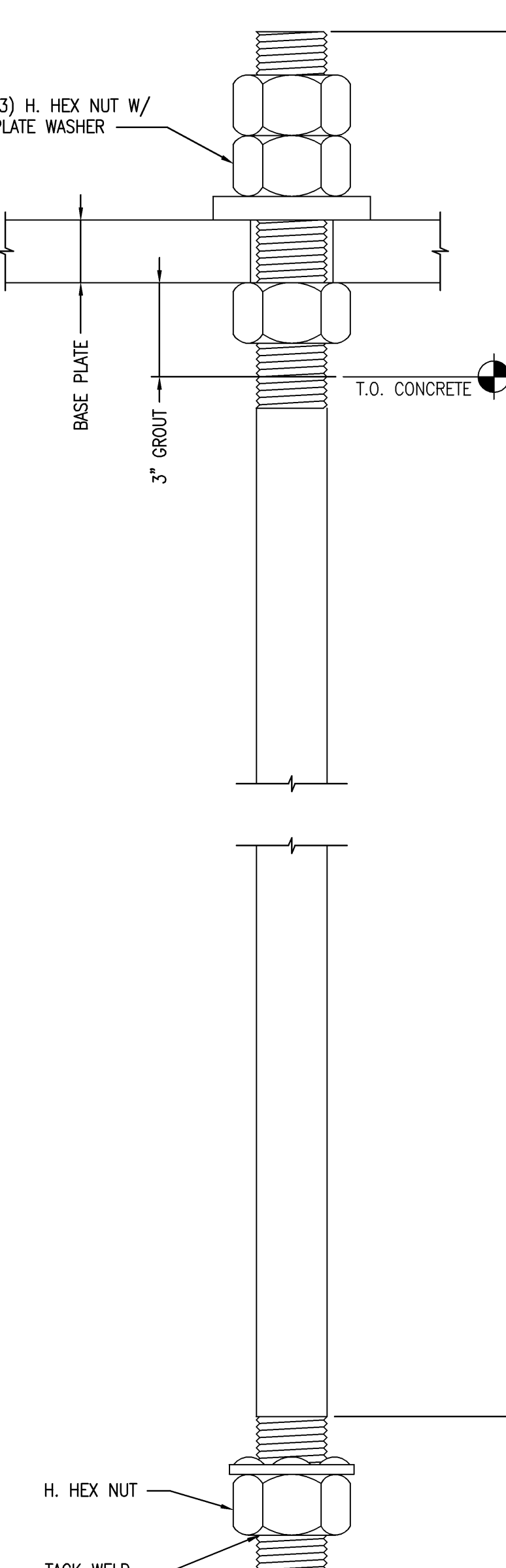
6



1"Ø ANCHOR RODS W/ SHEAR LUG

SCALE: 3" = 1'-0"

3



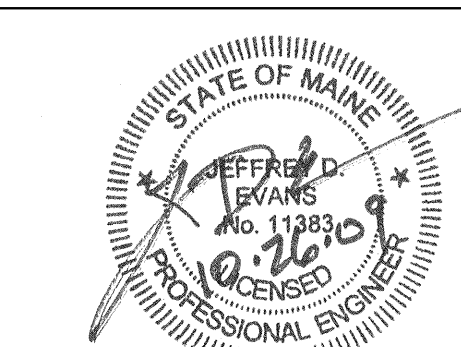
2 1/4"Ø ANCHOR RODS @ ROTUNDA

SCALE: 3" = 1'-0"

4

| Issue | Date & Issue Description | By  | Check |
|-------|--------------------------|-----|-------|
| 01    | 10/26/09                 | JDE |       |
|       | ISSUED FOR PERMIT        |     |       |

See/Signature



Project Name  
PJM Terminal Enhancement

Project Number  
09.6395.000  
CAD File Name  
T:\5330101\SHEETS\S12.14.DWG  
Description  
MISC. SECTIONS & DETAILS

Scale  
AS NOTED

S12.14

©2009 Gensler