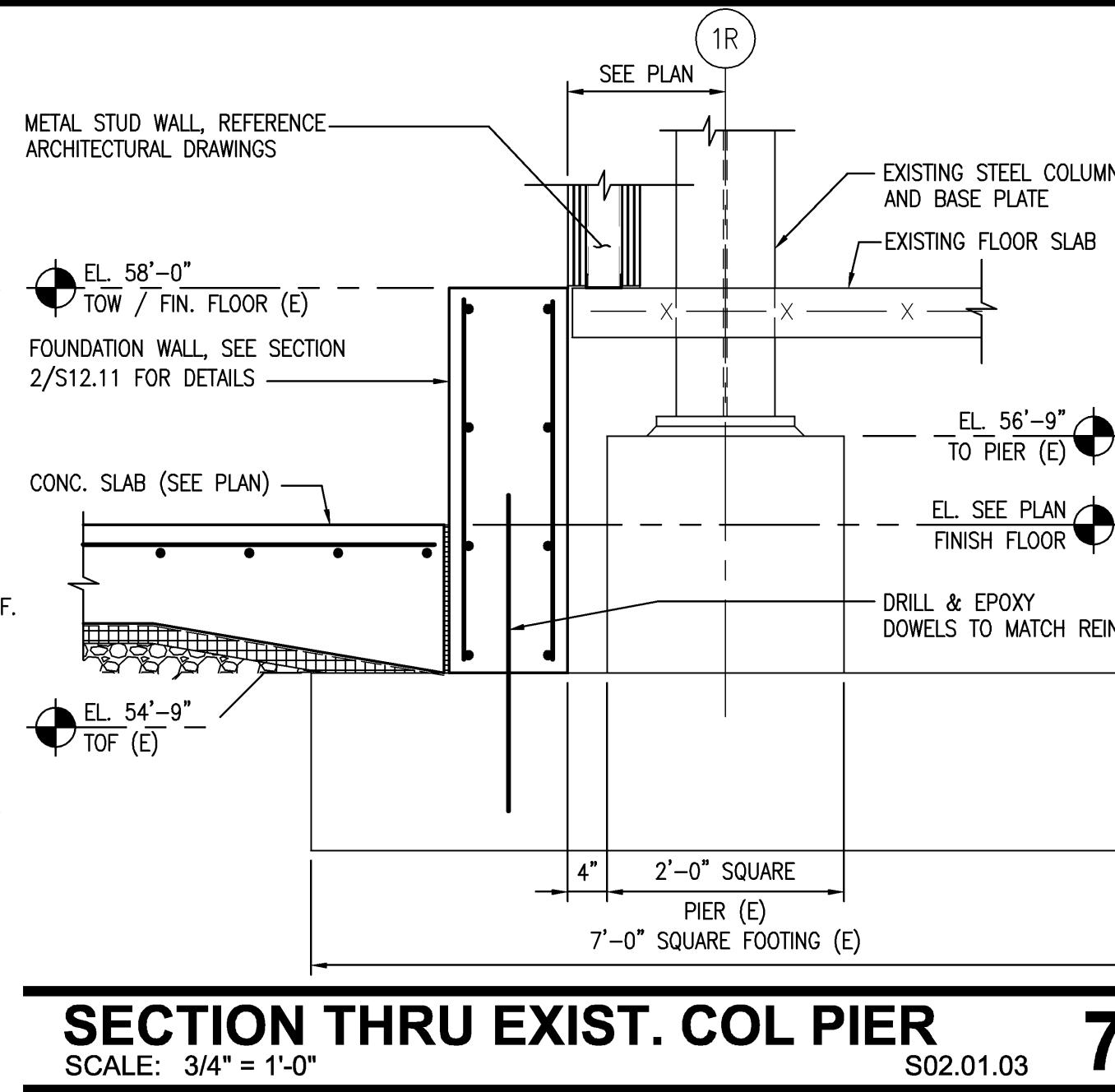
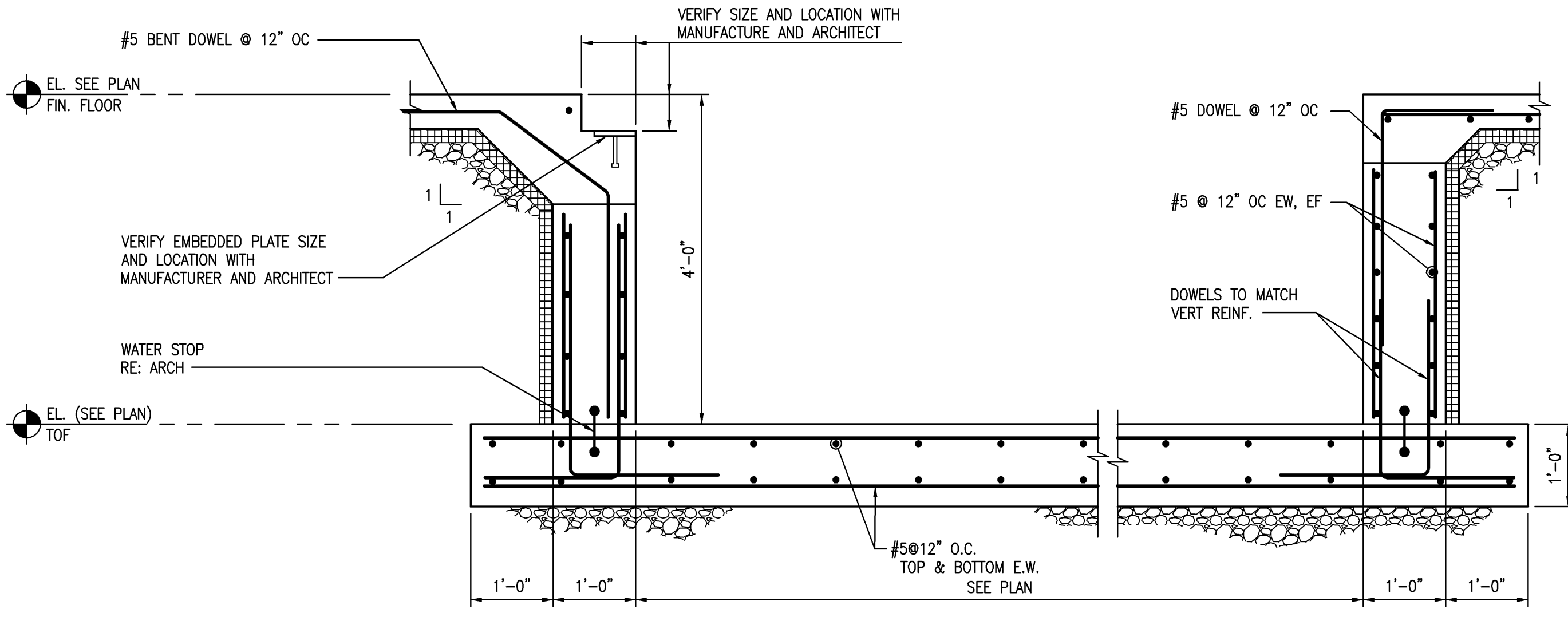


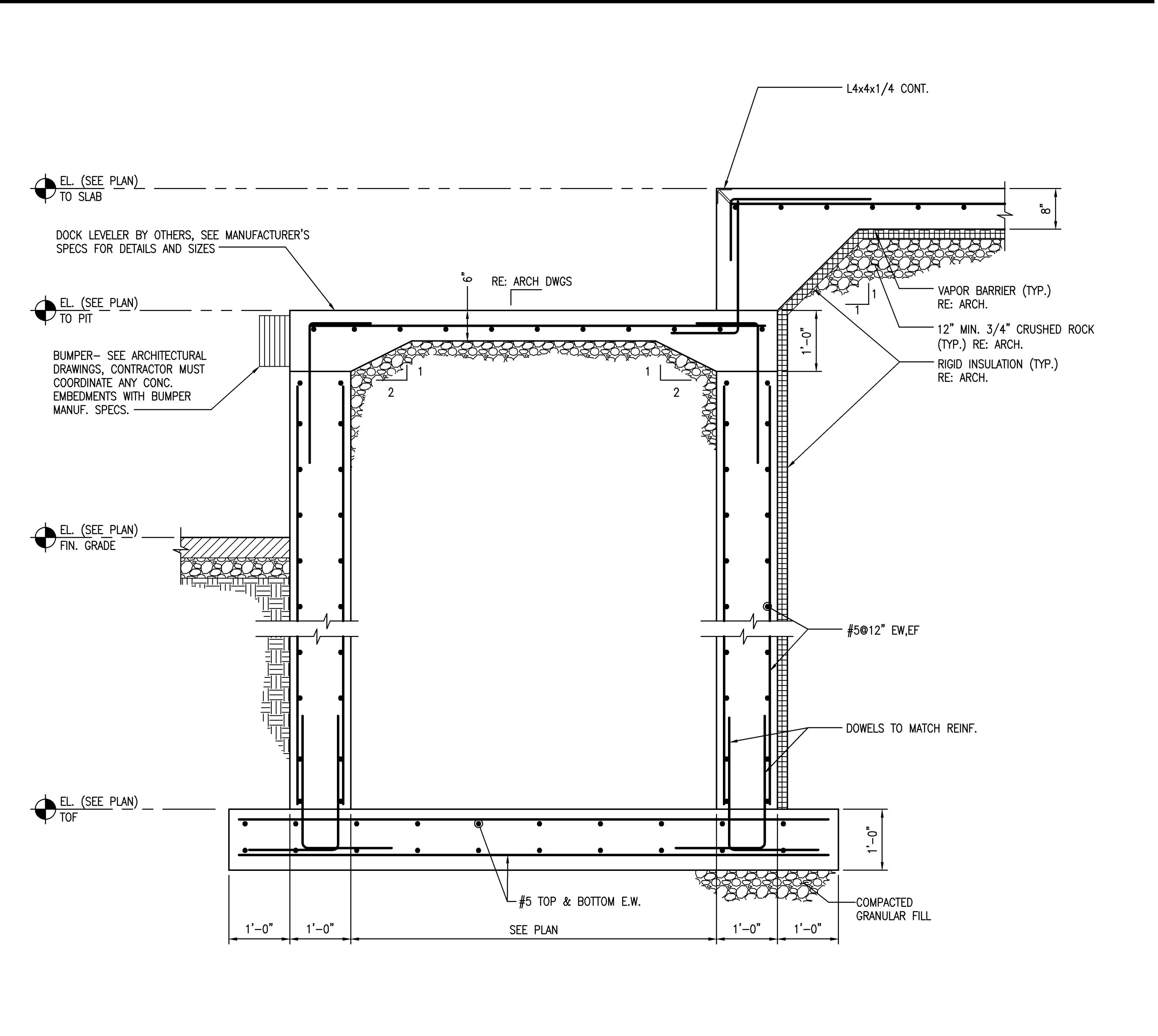
SECTION 12
SCALE: 3/4" = 1'-0"
S02.01.06, S02.01.07



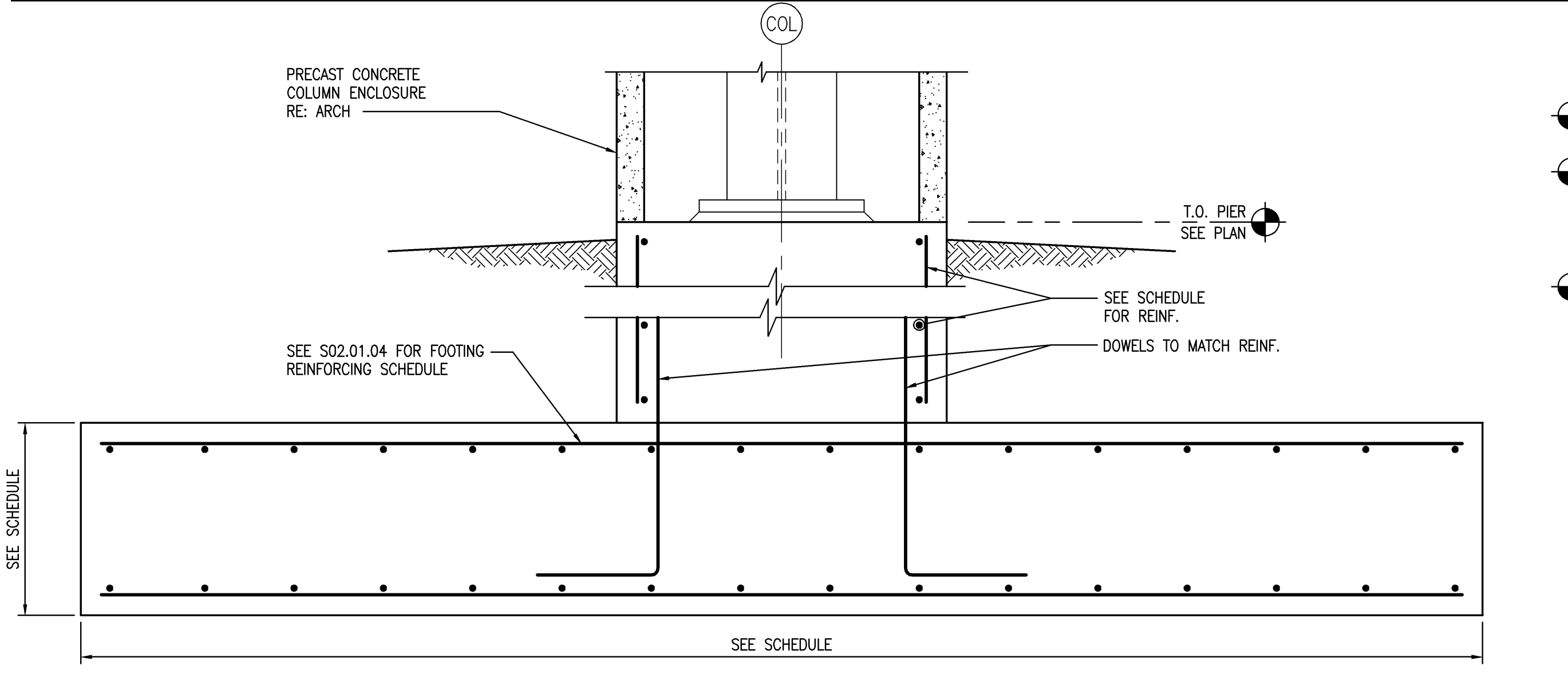
SECTION THRU EXIST. COL PIER 7
SCALE: 3/4" = 1'-0"
S02.01.03



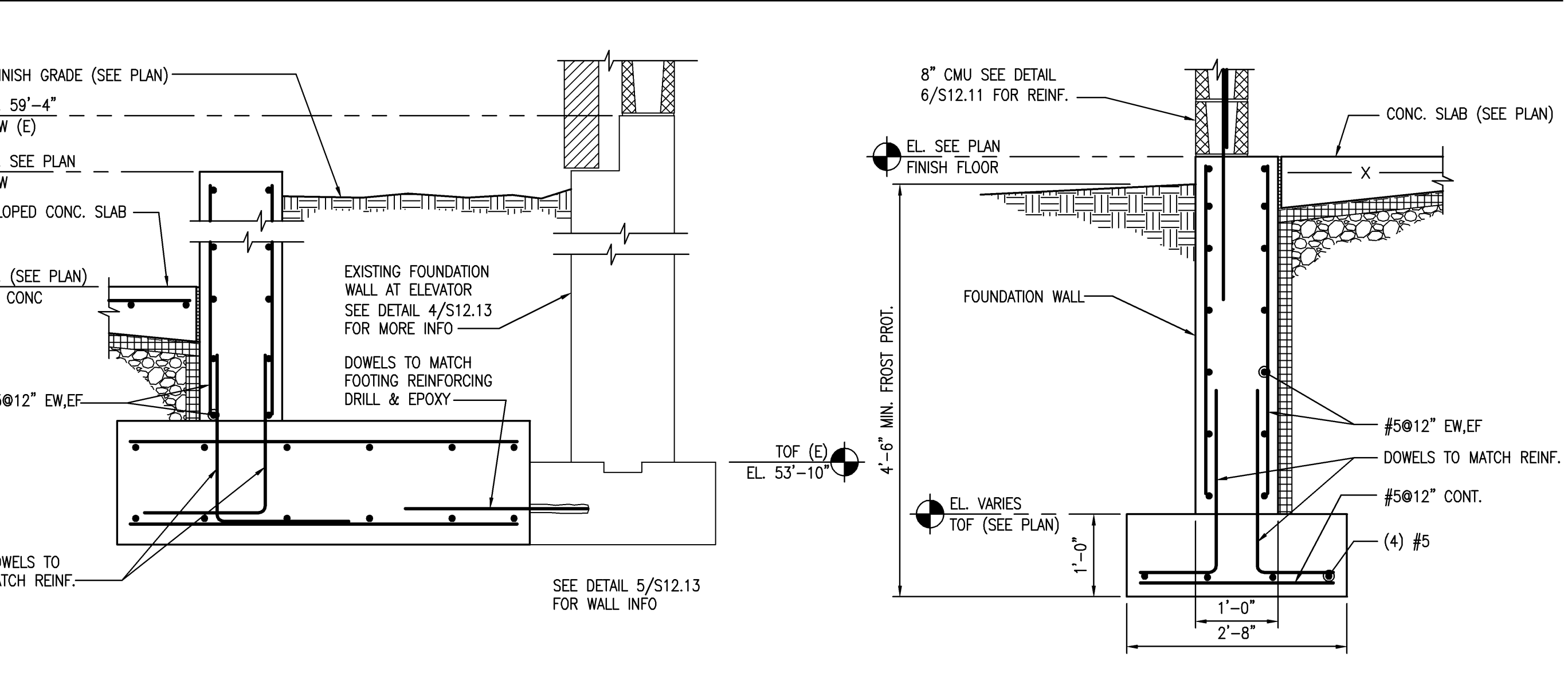
SECTION THRU ESCALATOR PIT
SCALE: 3/4" = 1'-0"
S02.01.04



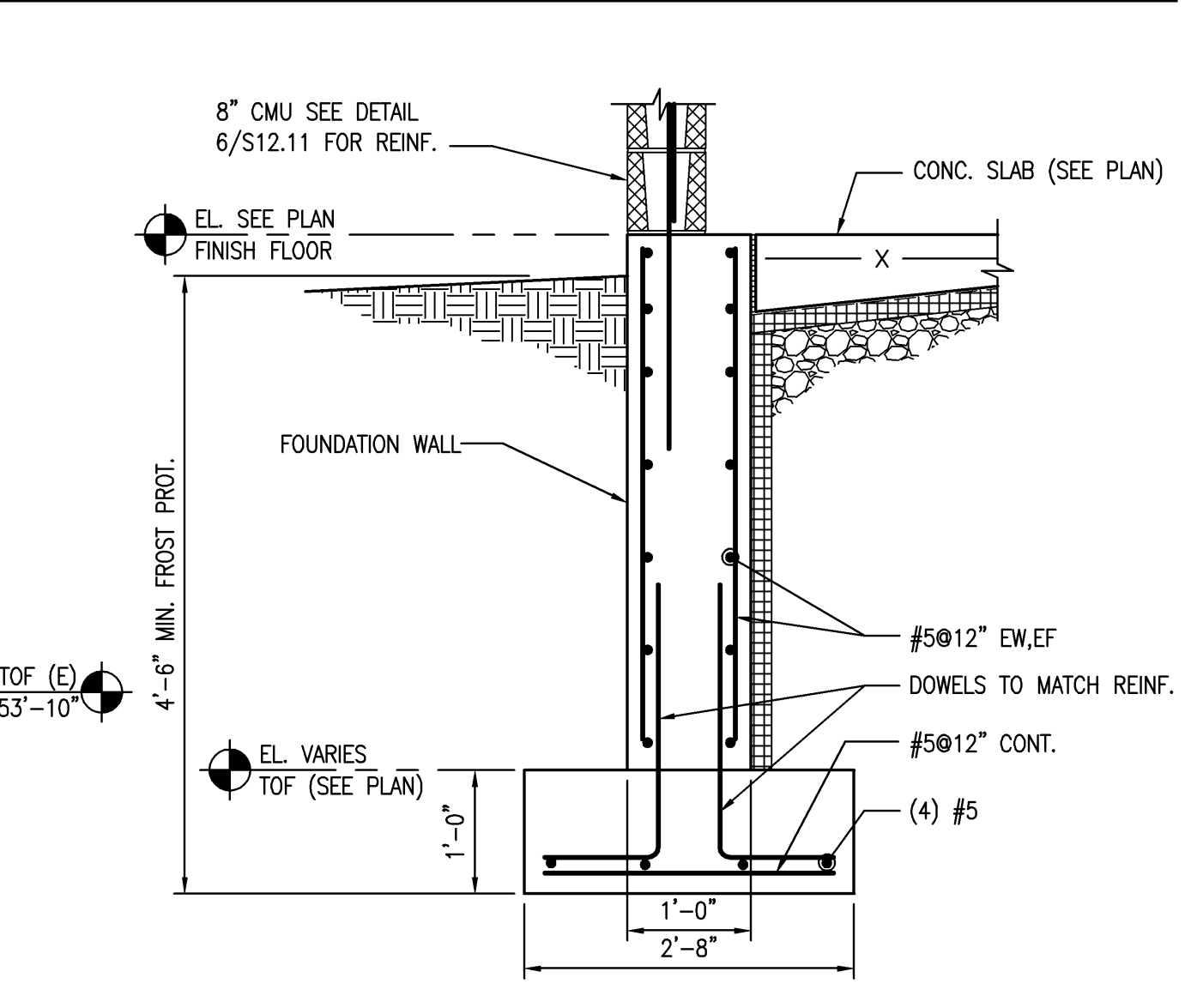
SECTION THROUGH LOADING DOCK
SCALE: 3/4" = 1'-0"
S02.01.05, S02.01.07



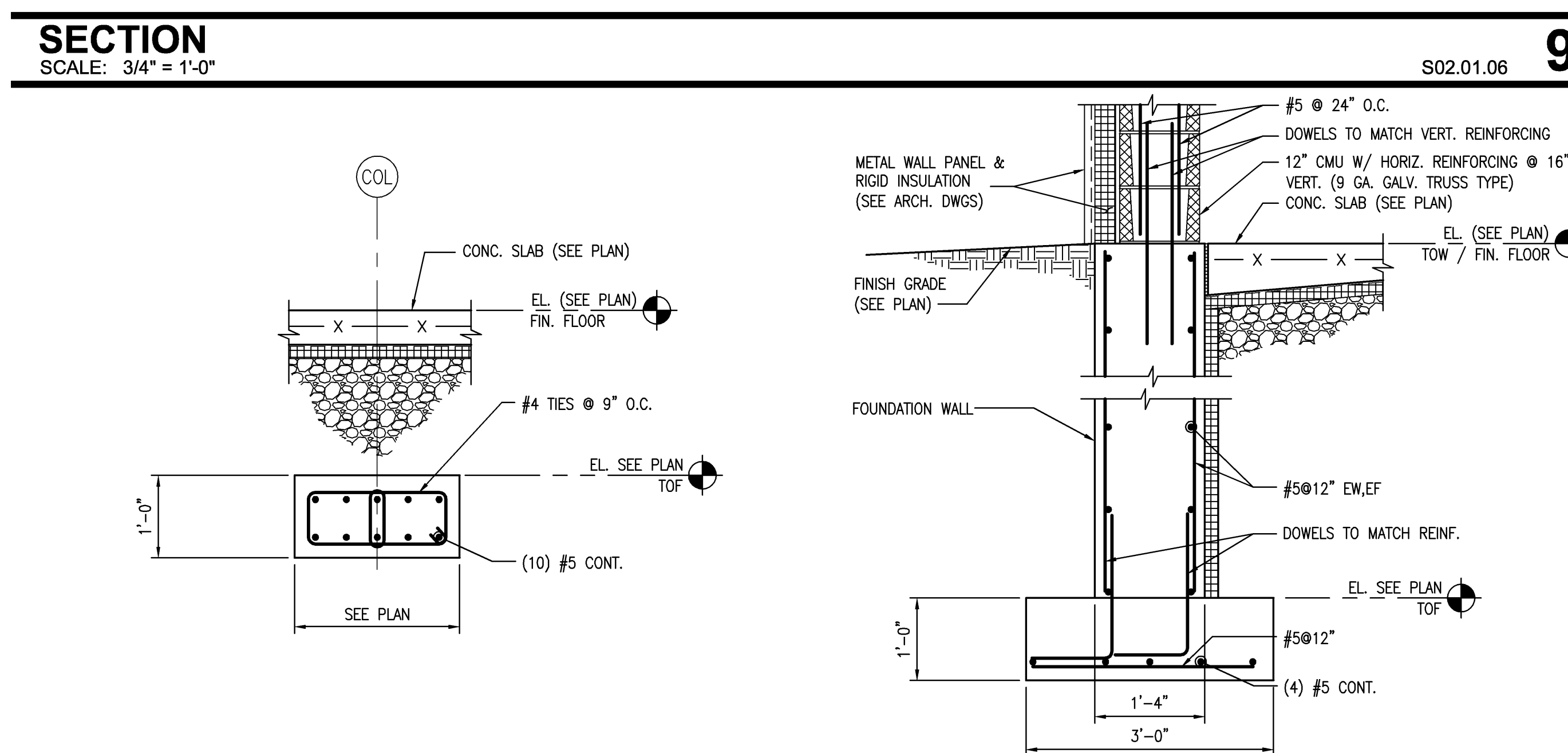
SECTION 9
SCALE: 3/4" = 1'-0"
S02.01.06



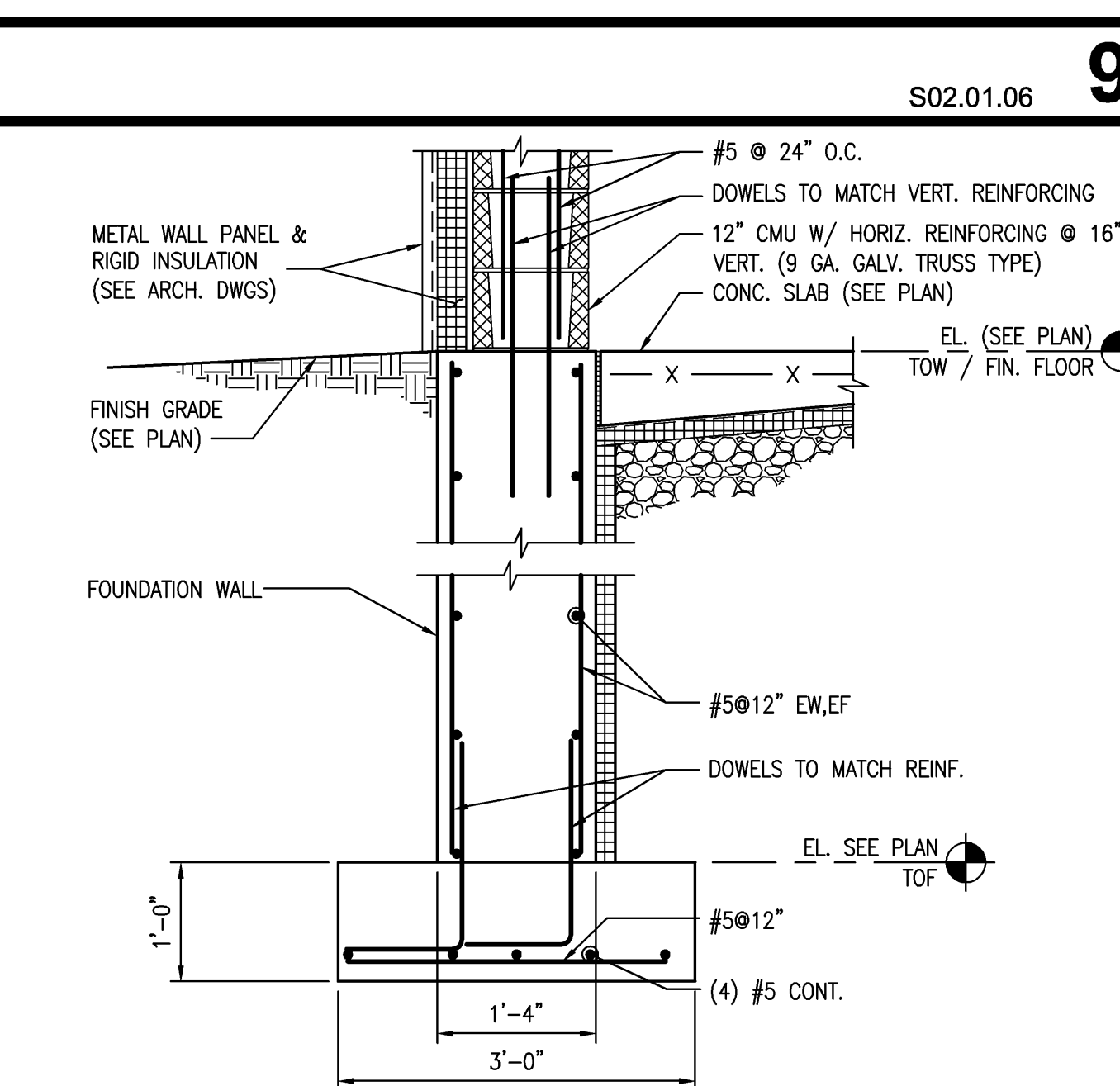
RETAINING WALL SECTION 3
SCALE: 3/4" = 1'-0"
S02.01.03



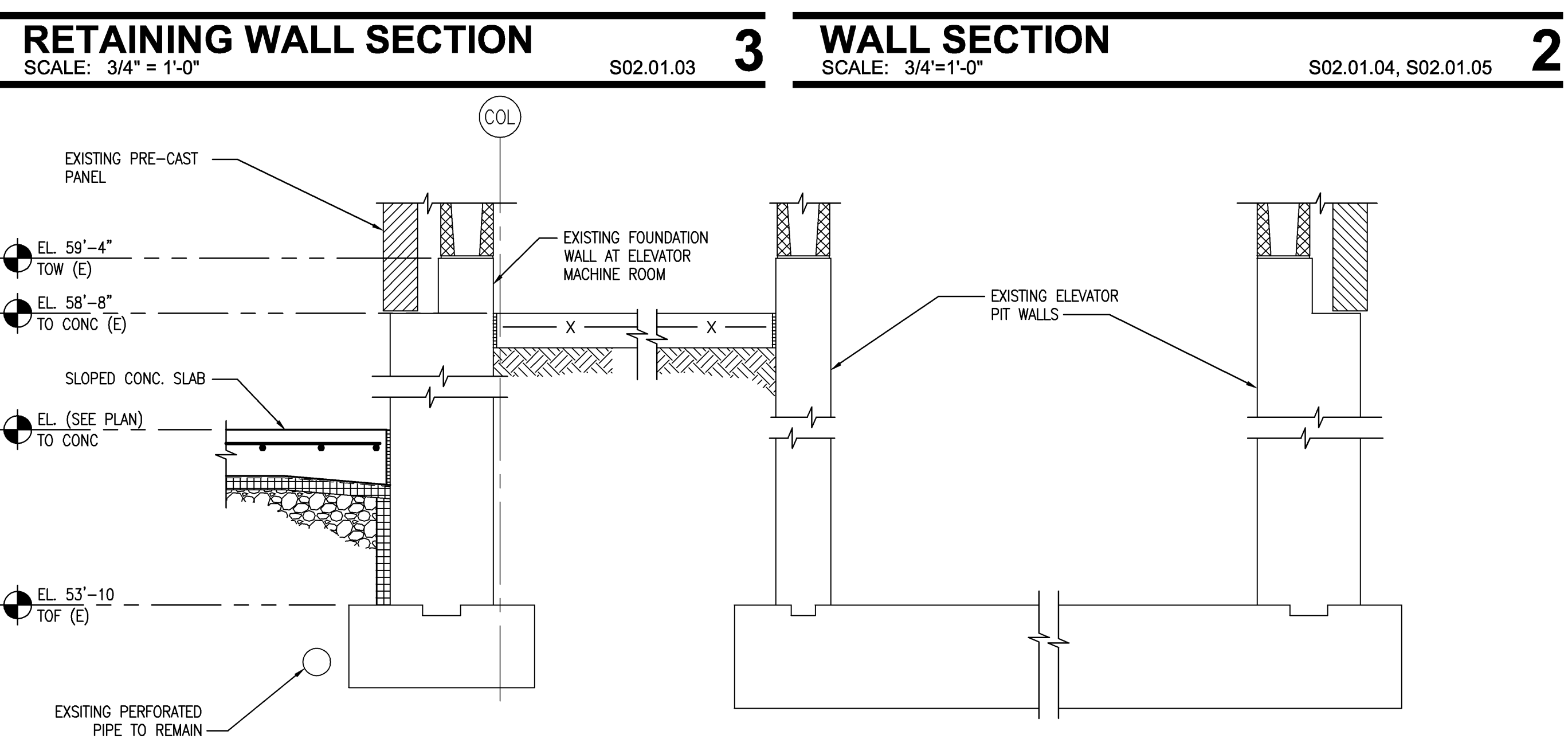
WALL SECTION 2
SCALE: 3/4" = 1'-0"
S02.01.04, S02.01.05



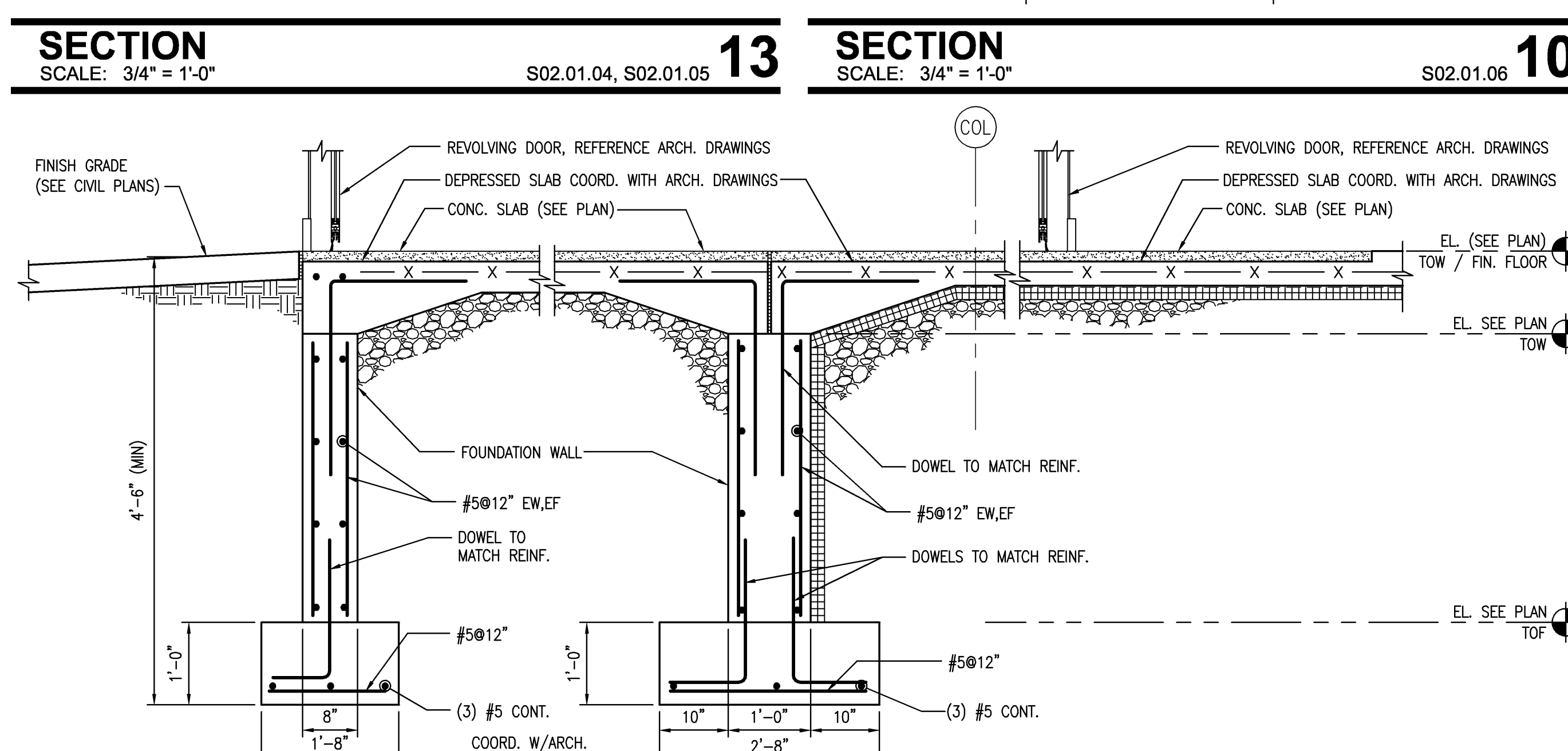
SECTION 13
SCALE: 3/4" = 1'-0"
S02.01.04, S02.01.05



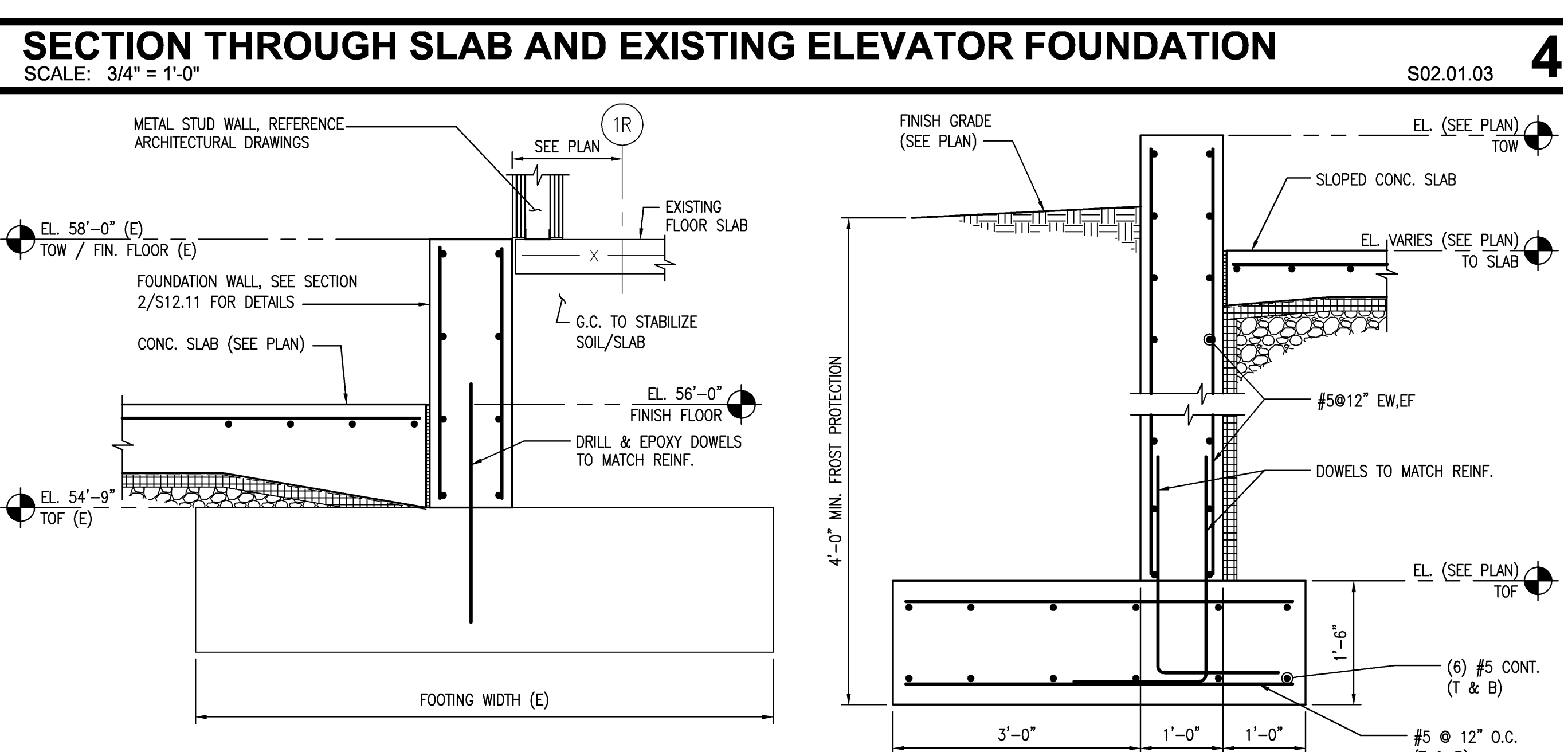
SECTION 10
SCALE: 3/4" = 1'-0"
S02.01.06



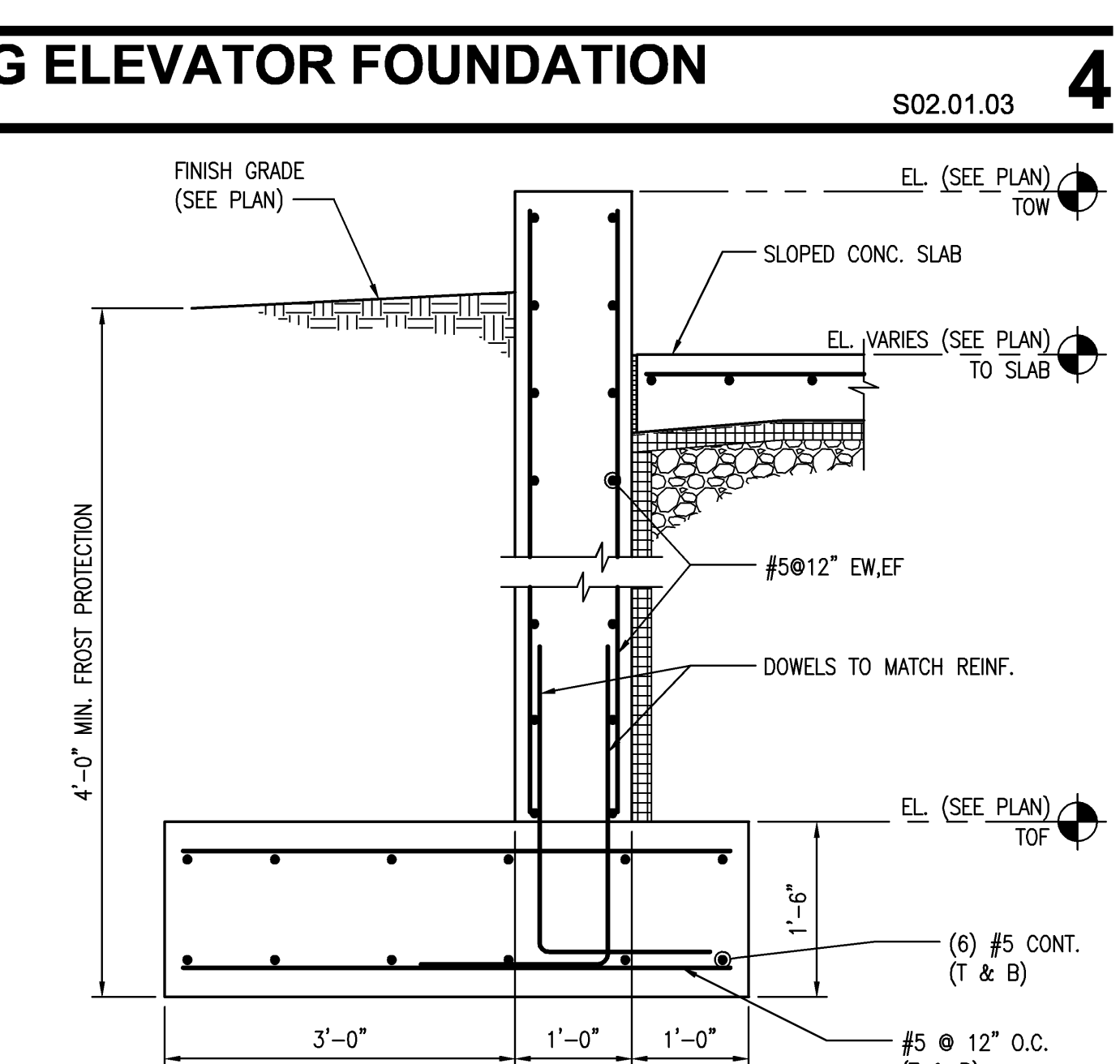
SECTION THROUGH SLAB AND EXISTING ELEVATOR FOUNDATION
SCALE: 3/4" = 1'-0"
S02.01.03



SECTION 11
SCALE: 3/4" = 1'-0"
S02.01.05



SECTION THRU EXIST. FOOTING 6
SCALE: 3/4" = 1'-0"
S02.01.03



RETAINING WALL SECTION 5
SCALE: 3/4" = 1'-0"
S02.01.03, S02.01.04, S02.01.05, S02.01.07

SHEET NOTES

BLOCK COURSING SHOWN IS A GRAPHIC REPRESENTATION ONLY AND IS NOT INTENDED FOR CONSTRUCTION. REFERENCE ARCHITECTURAL DRAWINGS FOR COURSING ELEVATION.

REFERENCE ARCHITECTURAL DRAWINGS FOR ALL INSULATING AND WATERPROOFING REQUIREMENTS.

REFERENCE S02.01.00 FOR ALL UNDERSLAB DRAINAGE REQUIREMENTS.

REFERENCE SHEETS S12.01 & S12.02 FOR TYPICAL FOUNDATION AND CONCRETE REINFORCING STANDARDS.

Portland International Jetport
1001 Westbrook Street
Portland, Maine 04102

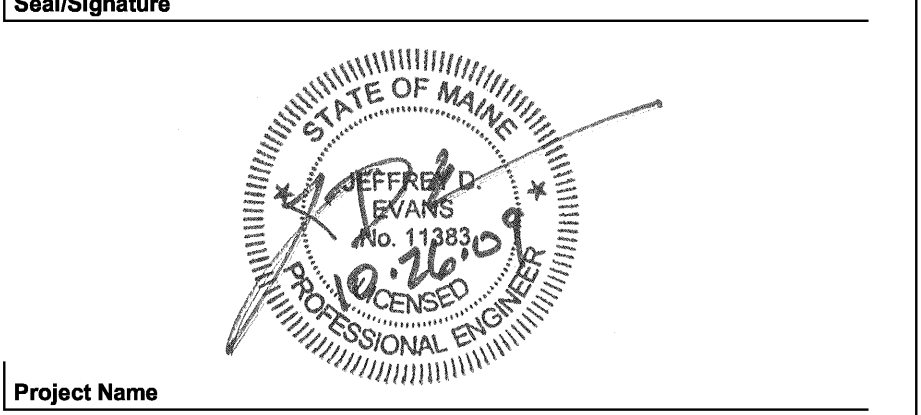
Gensler

2020 K Street, NW
Suite 200
Washington, DC 20006
Telephone 202.771.5200
Facsimile 202.872.8587

oest ASSOCIATES, INC.
343 Goffman Road, South Portland, ME 04106 P (207) 741-1770 F (207) 774-2444 www.oest.com
engineers • architects • surveyors • construction managers

Issue	Date & Issue Description	By	Check
-- 01	12/03/08	JDE	--
-- 02	01/23/09	JDE	--
-- 03	10/26/09	JDE	--

ISSUED FOR PERMIT



Project Name
PJM Terminal Enhancement

Project Number
09.6395.000

CAD File Name
T:\5330101\SHEETS\S12.13.DWG

Description
FOUNDATION SECTIONS & DETAILS

Scale
AS NOTED

S12.13

©2009 Gensler