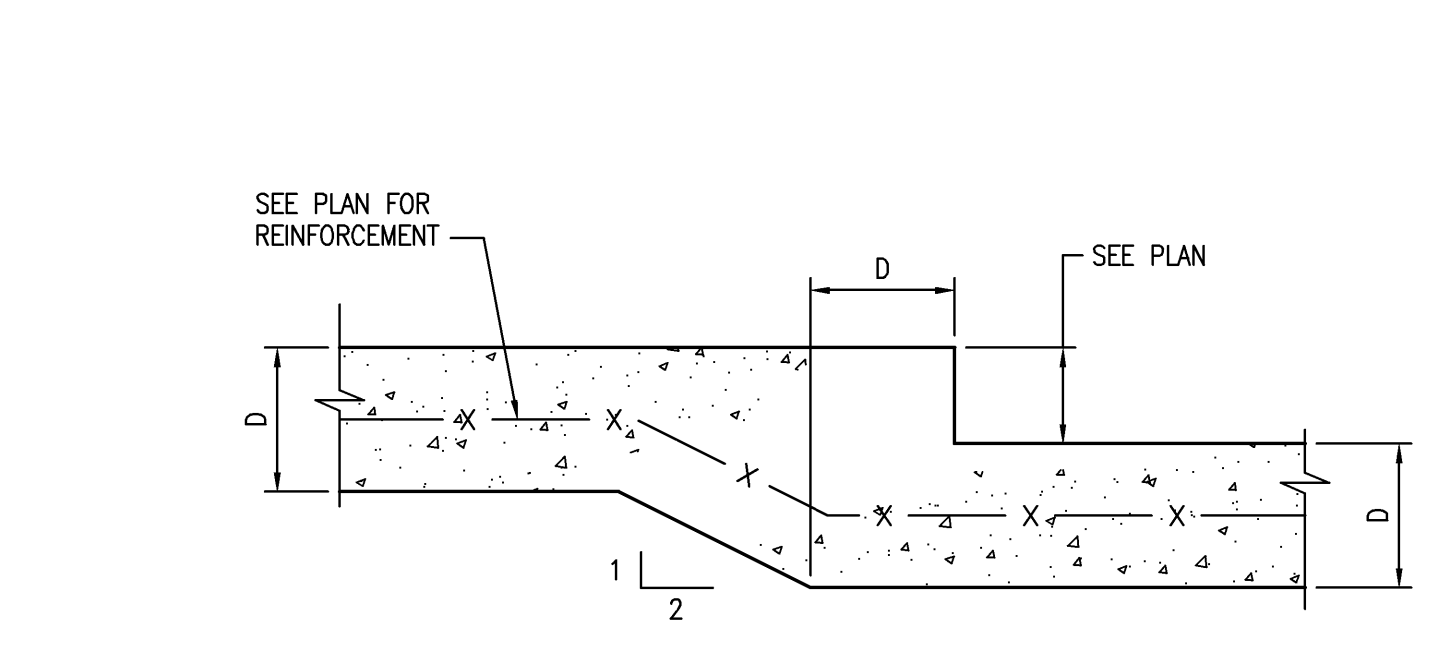
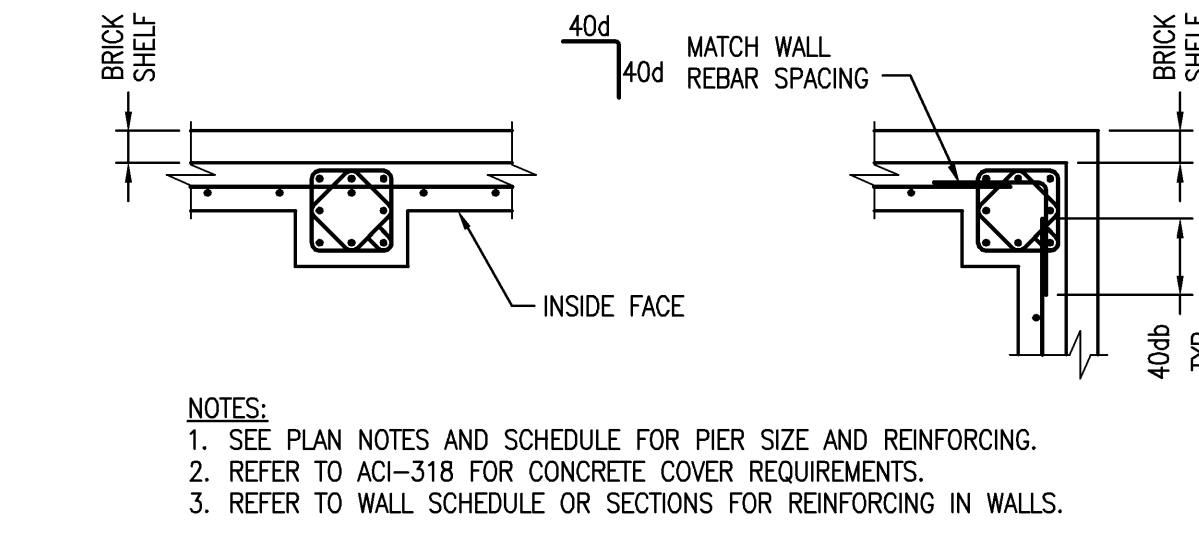


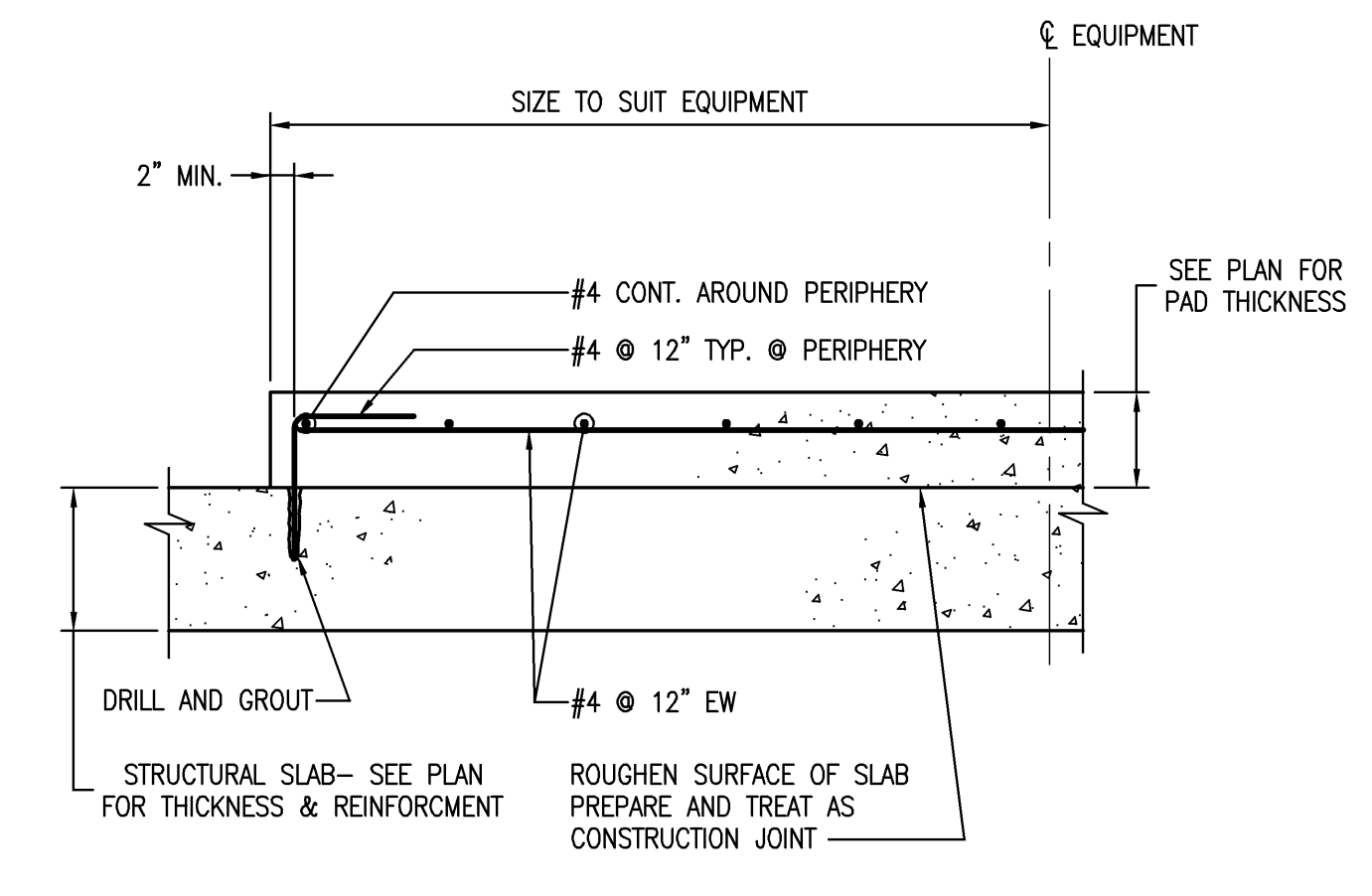
**TYPICAL ISOLATION JOINT AT COLUMN DETAILS**  
SCALE: NOT TO SCALE



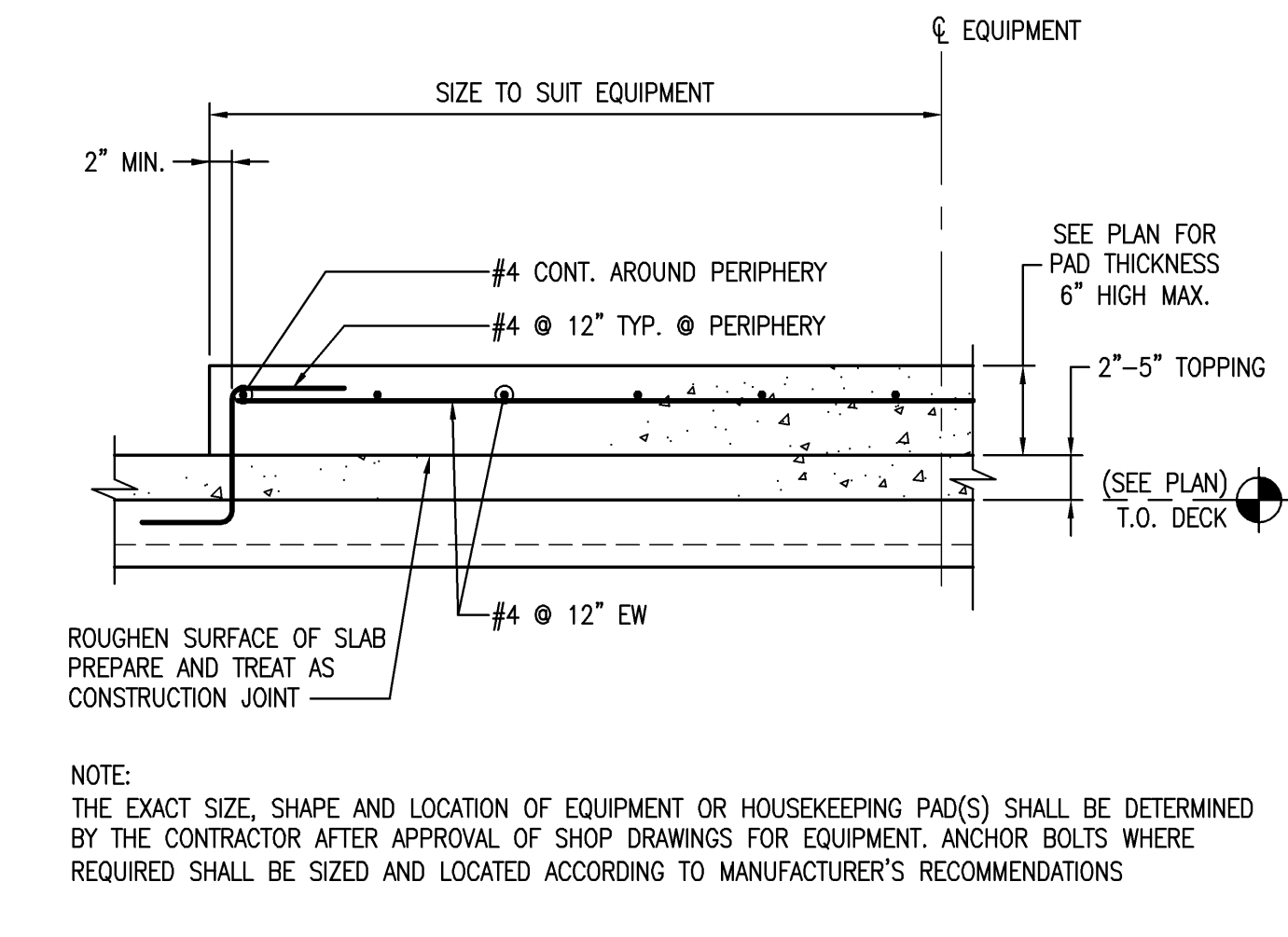
**DEPRESSED SLAB ON GRADE**  
SCALE: NOT TO SCALE



**WALL REINF. THROUGH PIERS**  
SCALE: NOT TO SCALE



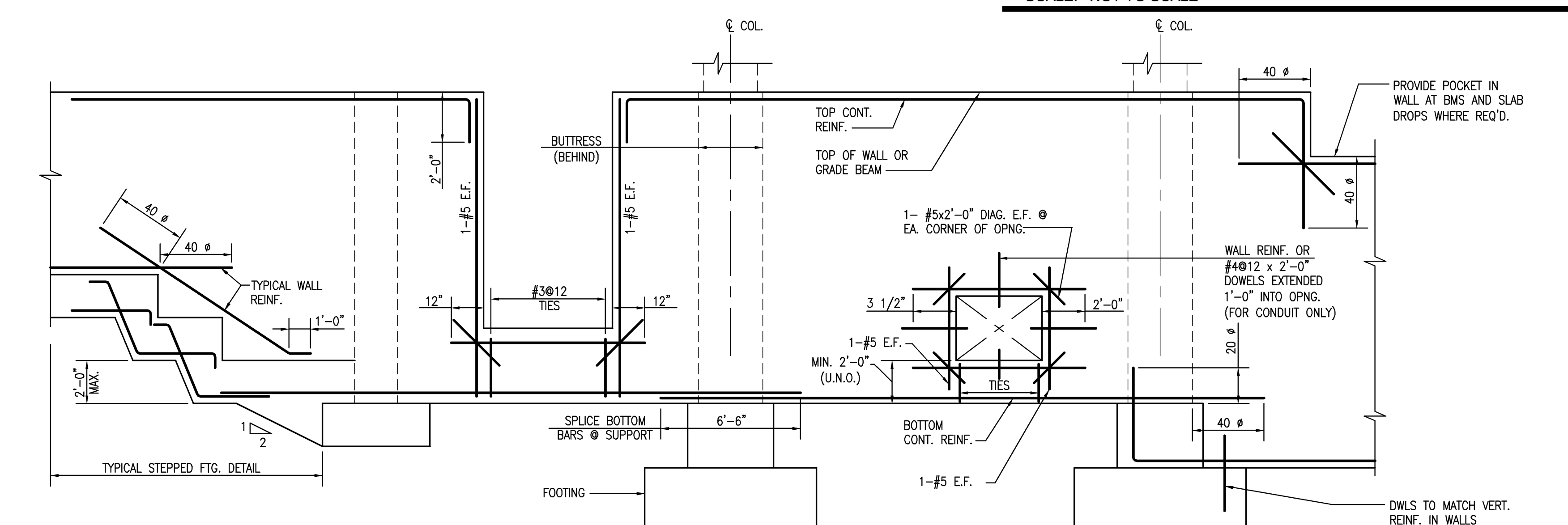
**TYPICAL EQUIPMENT PAD DETAIL**  
SCALE: NOT TO SCALE



**TYPICAL EQUIPMENT PAD DETAIL**  
SCALE: NOT TO SCALE

NOT USED

**DETAIL**  
SCALE: NOT TO SCALE



**ELEVATION SHOWING REQUIRED WALL REINFORCING**  
SCALE: NOT TO SCALE

Issue	Date & Issue Description	By	Check
-- 01	12/03/08	JDE	--
-- 02	01/23/09	JDE	--
-- 03	10/26/09	JDE	--

Project Name  
PVM Terminal Enhancement

Project Number  
08.6396.000

CAD File Name  
T:\5330101\SHEETS\S12.02.DWG

Description  
TYPICAL DETAILS - FOUNDATION

Scale  
AS NOTED

